



US00D834831S

(12) **United States Design Patent**  
**Kresge**

(10) **Patent No.:** **US D834,831 S**  
(45) **Date of Patent:** **\*\* Dec. 4, 2018**

- (54) **GRILL BRUSH**
- (71) Applicant: **David Kresge**, San Diego, CA (US)
- (72) Inventor: **David Kresge**, San Diego, CA (US)
- (\*\*) Term: **15 Years**
- (21) Appl. No.: **29/608,686**
- (22) Filed: **Jun. 23, 2017**
- (51) **LOC (11) Cl.** ..... **04-01**
- (52) **U.S. Cl.**  
USPC ..... **D4/129; D4/100**
- (58) **Field of Classification Search**  
USPC ..... D4/100, 101, 102, 114, 121, 127, 128,  
D4/129, 130, 131, 132, 133, 134, 135,  
D4/136, 137, 138, 199; D24/214, 215;  
D28/63; D30/158; D32/40, 41, 42, 50,  
D32/51, 53  
CPC .. A46B 3/005; A46B 5/00; A46B 5/02; A46B  
9/005; A46B 9/02; A46B 2200/1006;  
A46B 2200/102; A46B 13/02; A46B  
2200/3093  
See application file for complete search history.

(56) **References Cited**

**U.S. PATENT DOCUMENTS**

- 2,843,869 A \* 7/1958 Hermance ..... A47L 11/08  
15/181
- D262,670 S \* 1/1982 Wellin ..... D4/102
- D546,066 S \* 7/2007 Rothman ..... D4/102
- D562,559 S \* 2/2008 Murray ..... D4/102
- D562,563 S \* 2/2008 Wales ..... D4/114
- D622,510 S \* 8/2010 Wales ..... D4/114

- 7,909,526 B2 \* 3/2011 Wales ..... A46B 5/0008  
401/25
- D641,555 S \* 7/2011 Schochet ..... D4/102
- D655,511 S \* 3/2012 Zemel ..... D4/131
- D673,372 S \* 1/2013 Wales ..... D4/114
- 8,683,641 B2 \* 4/2014 Weinberger ..... A47J 43/288  
15/104.001
- 2013/0212815 A1 \* 8/2013 Kempf ..... A46B 13/02  
15/22.1

**FOREIGN PATENT DOCUMENTS**

- WO WO-2016008763 A2 \* 1/2016 ..... A01M 21/02
- \* cited by examiner

*Primary Examiner* — Karen E Eldridge Powers  
(74) *Attorney, Agent, or Firm* — O’Shea Getz P.C.

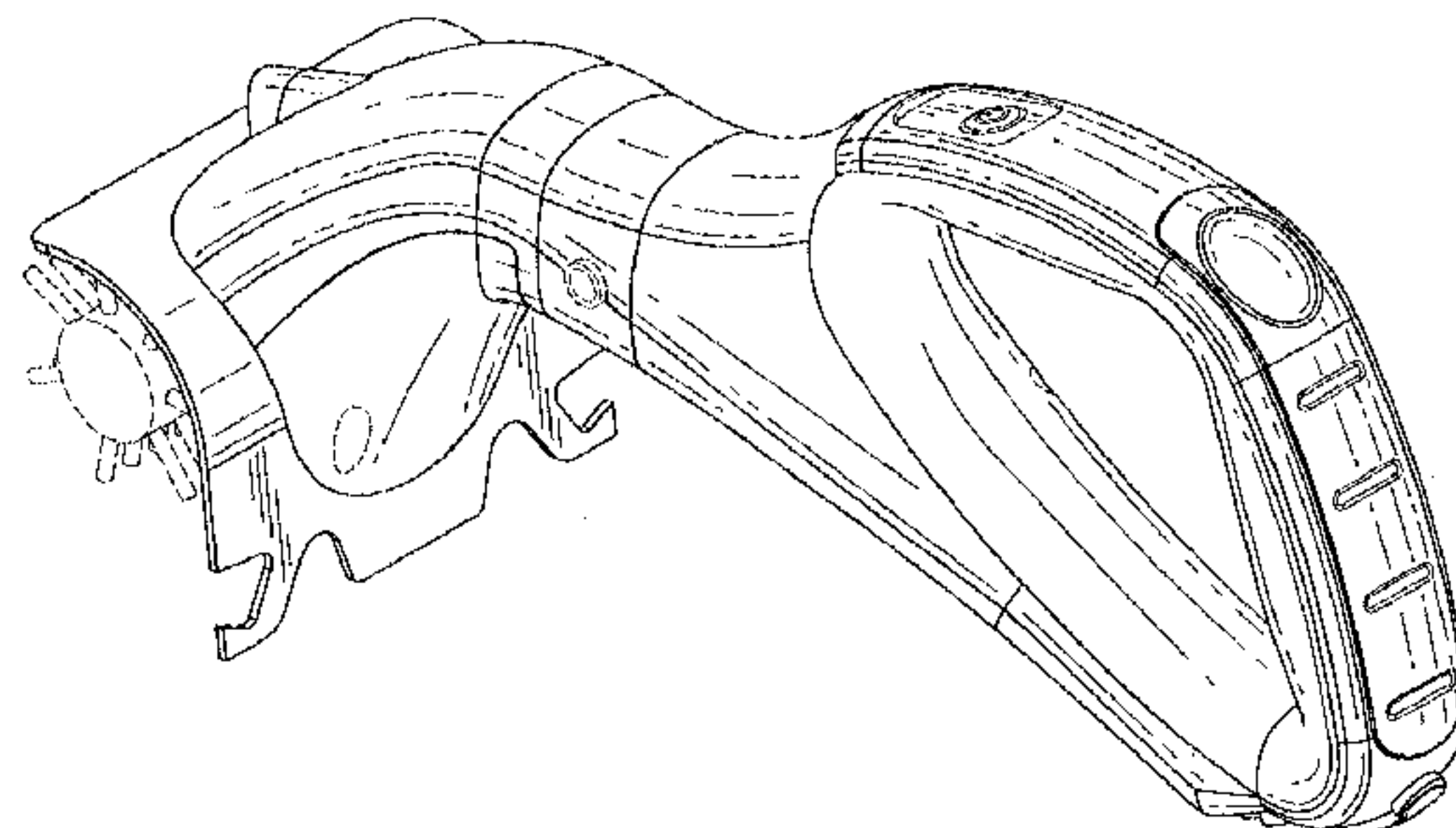
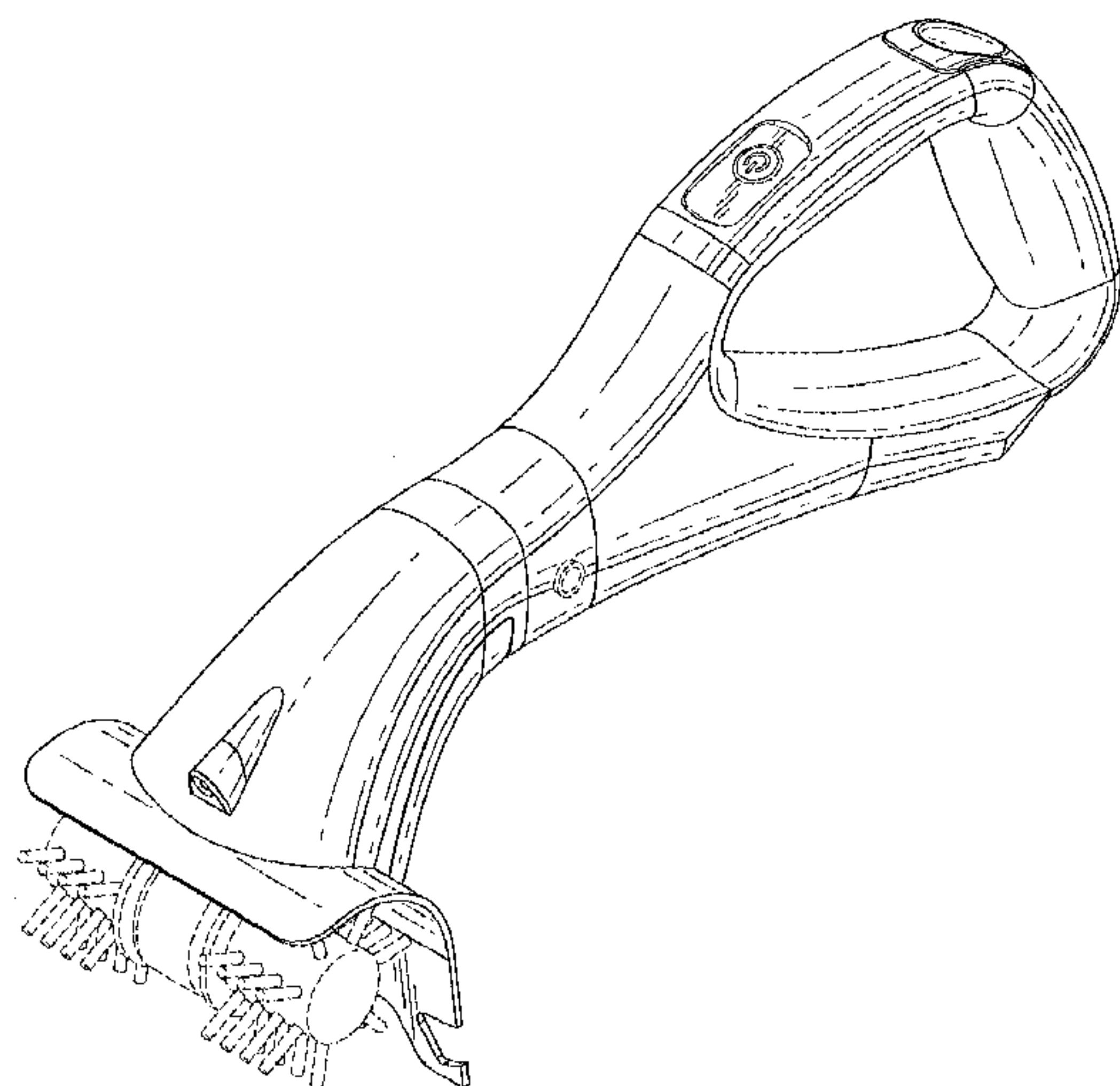
(57) **CLAIM**

The ornamental design of a grill brush, as shown and described.

**DESCRIPTION**

FIG. 1 is a front perspective view of a grill brush;  
FIG. 2 is a back perspective view thereof;  
FIG. 3 is a top plan view thereof;  
FIG. 4 is a bottom plan view thereof;  
FIG. 5 is a right side elevational view thereof;  
FIG. 6 is a left side elevational view thereof;  
FIG. 7 is a front elevational view thereof; and,  
FIG. 8 is a back elevational view thereof.  
The broken line representations in the figures illustrate portions of the article of manufacture that form no part of the claimed invention.

**1 Claim, 4 Drawing Sheets**



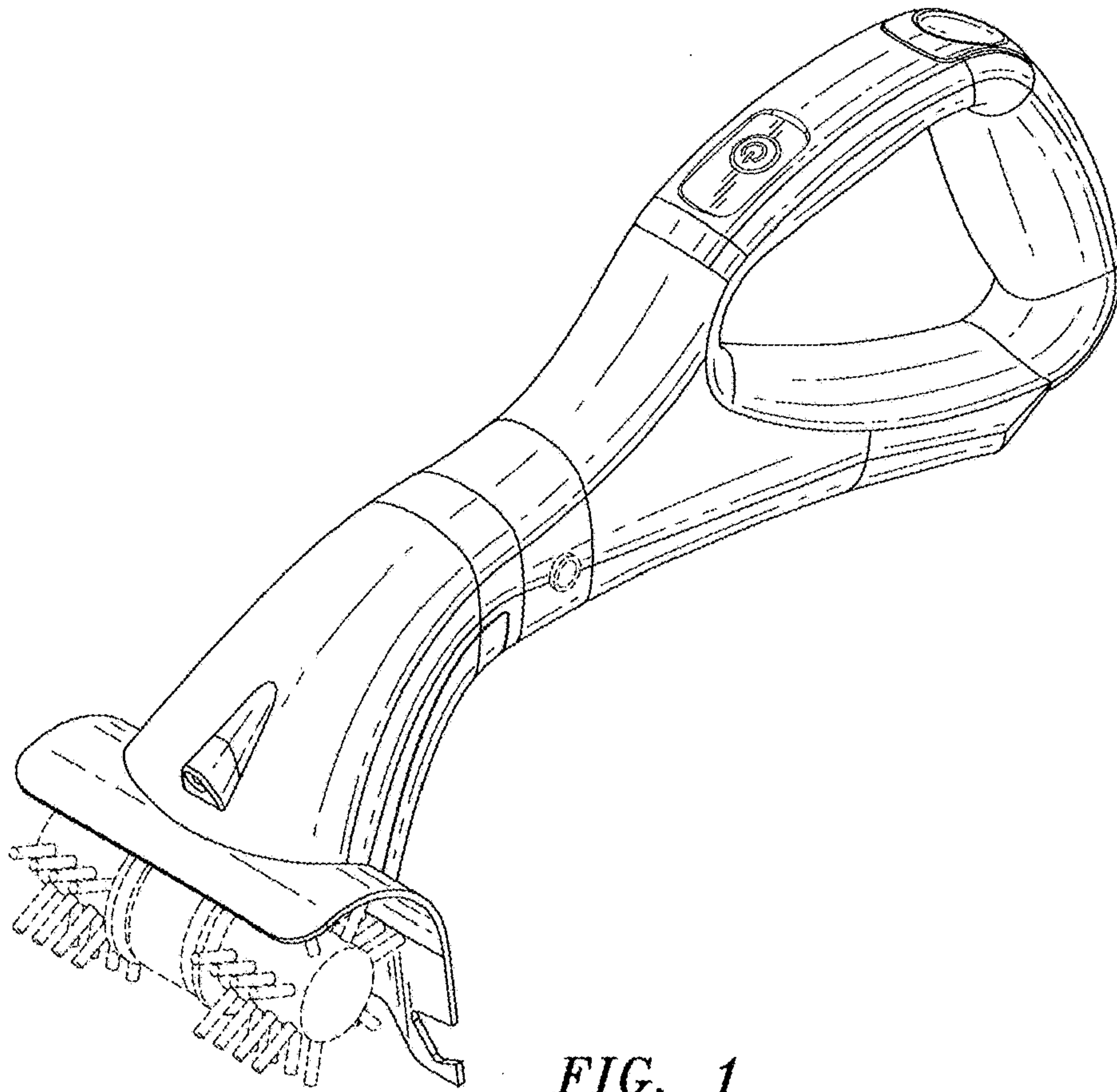


FIG. 1

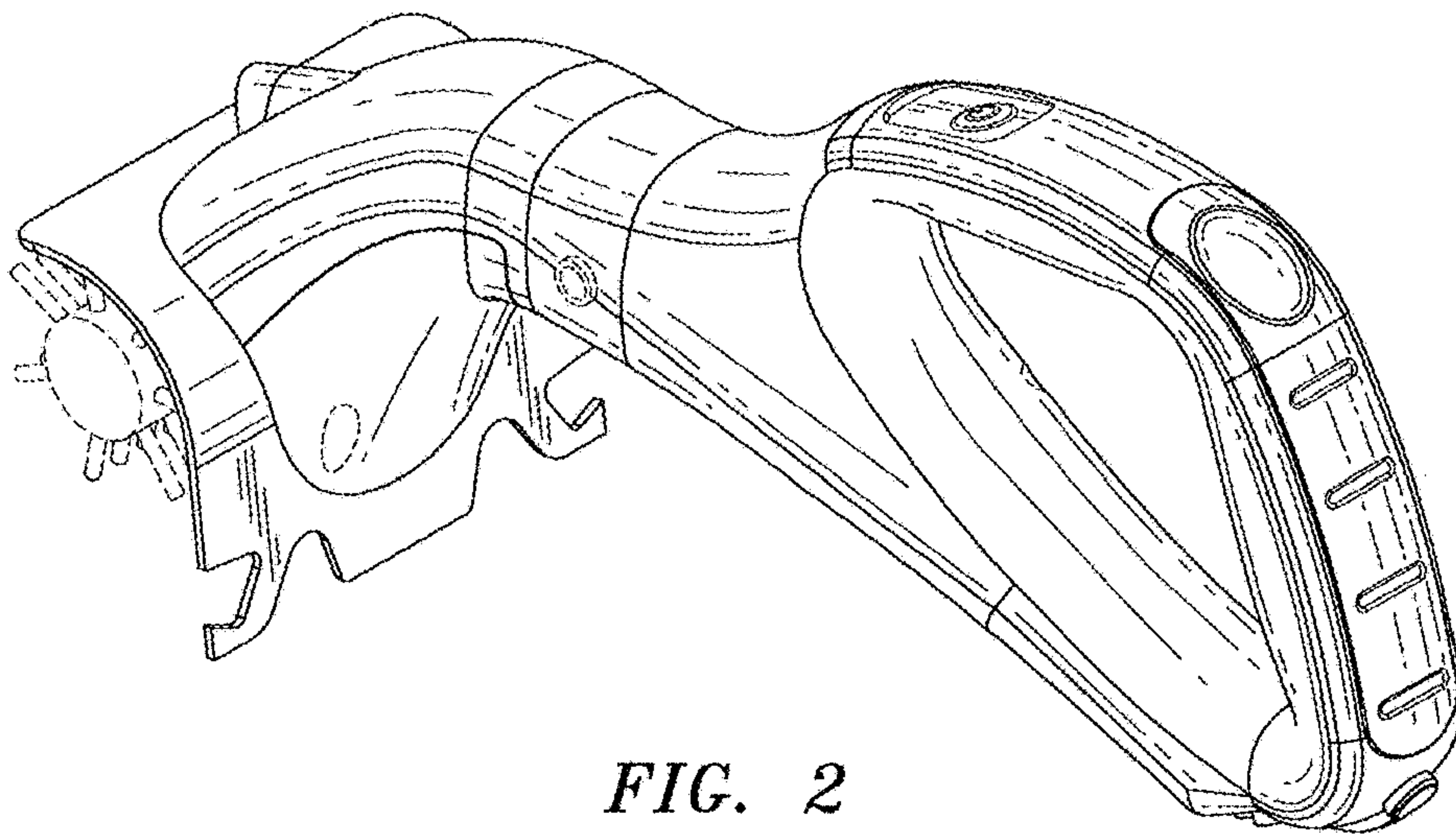


FIG. 2

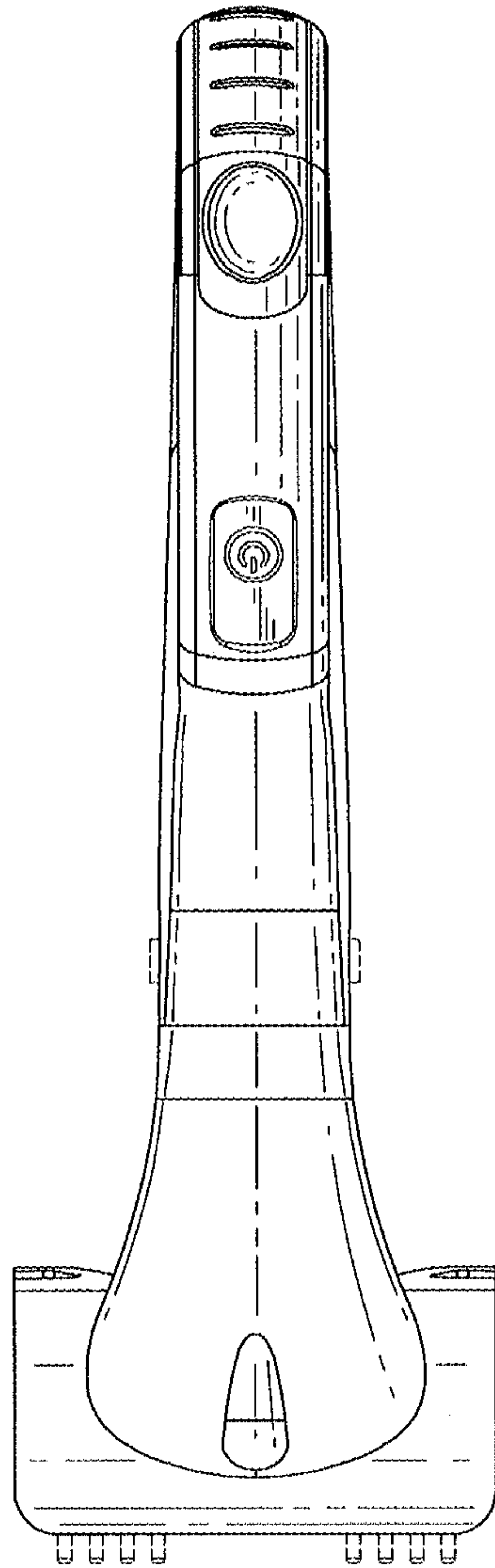


FIG. 3

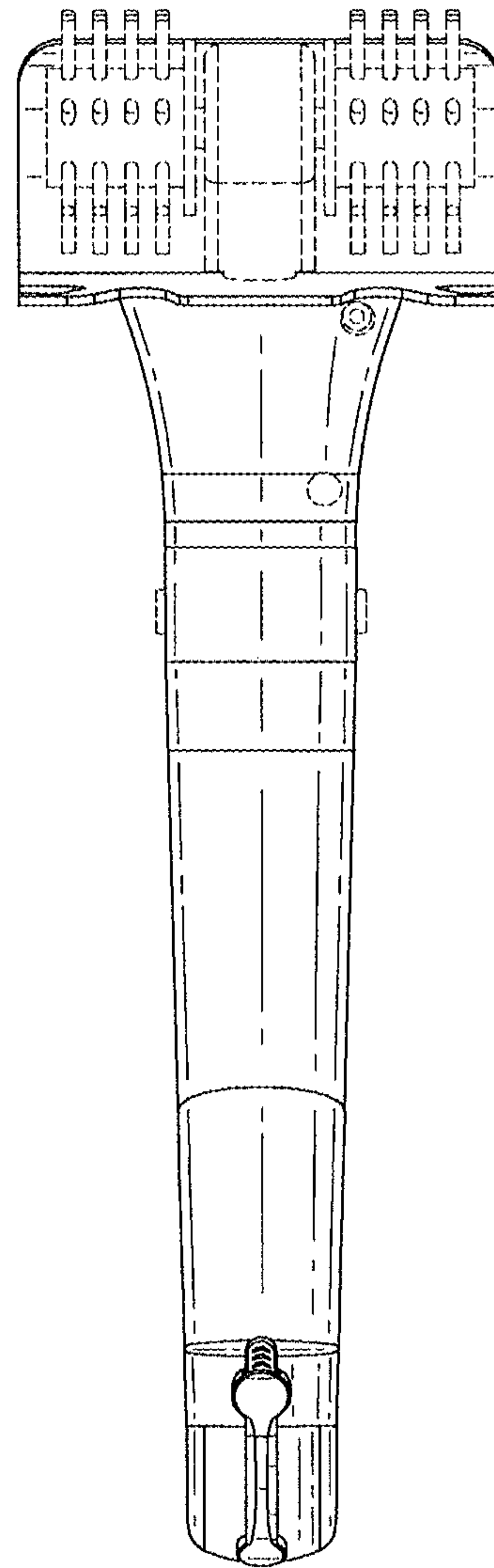


FIG. 4



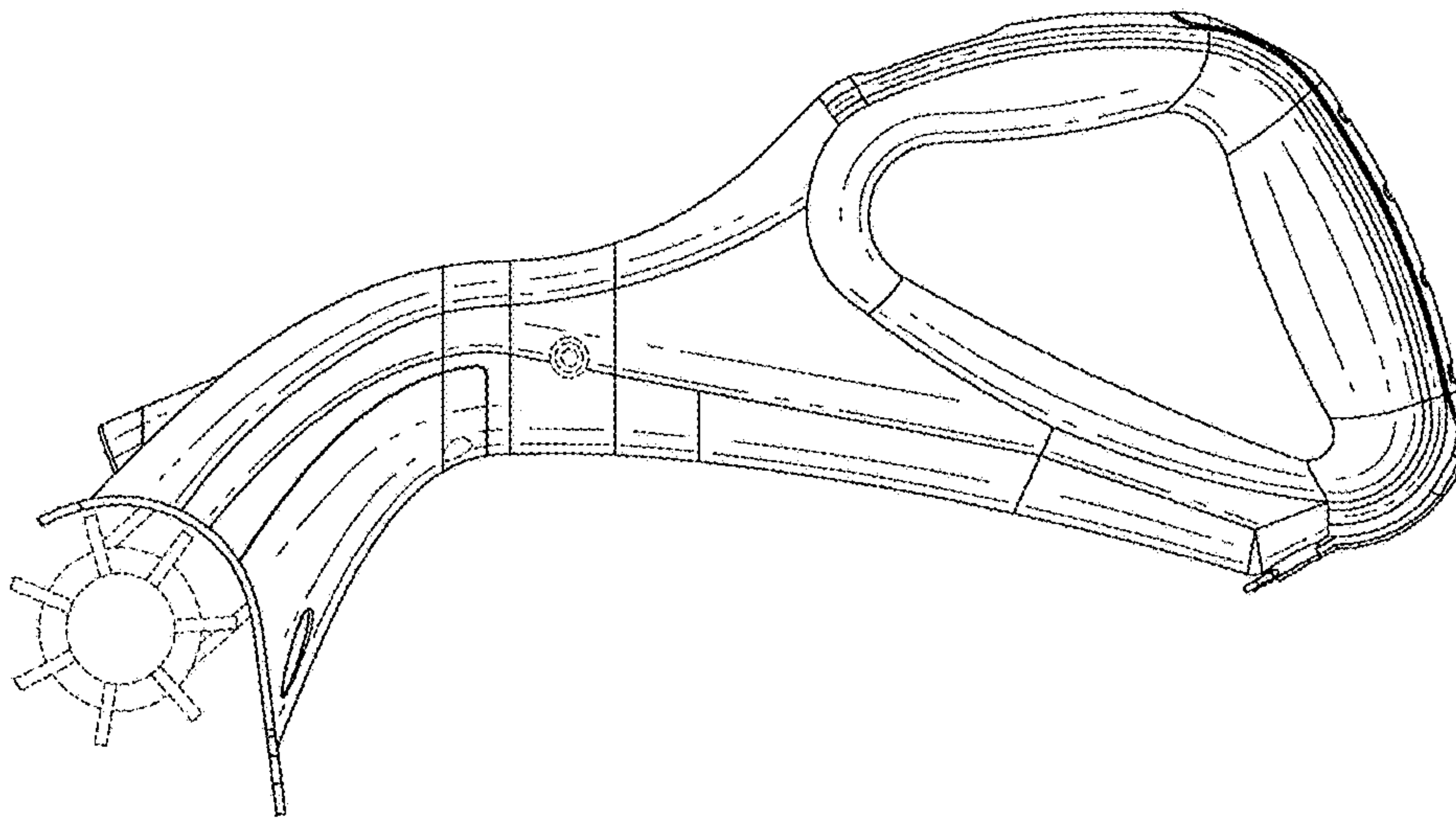


FIG. 5

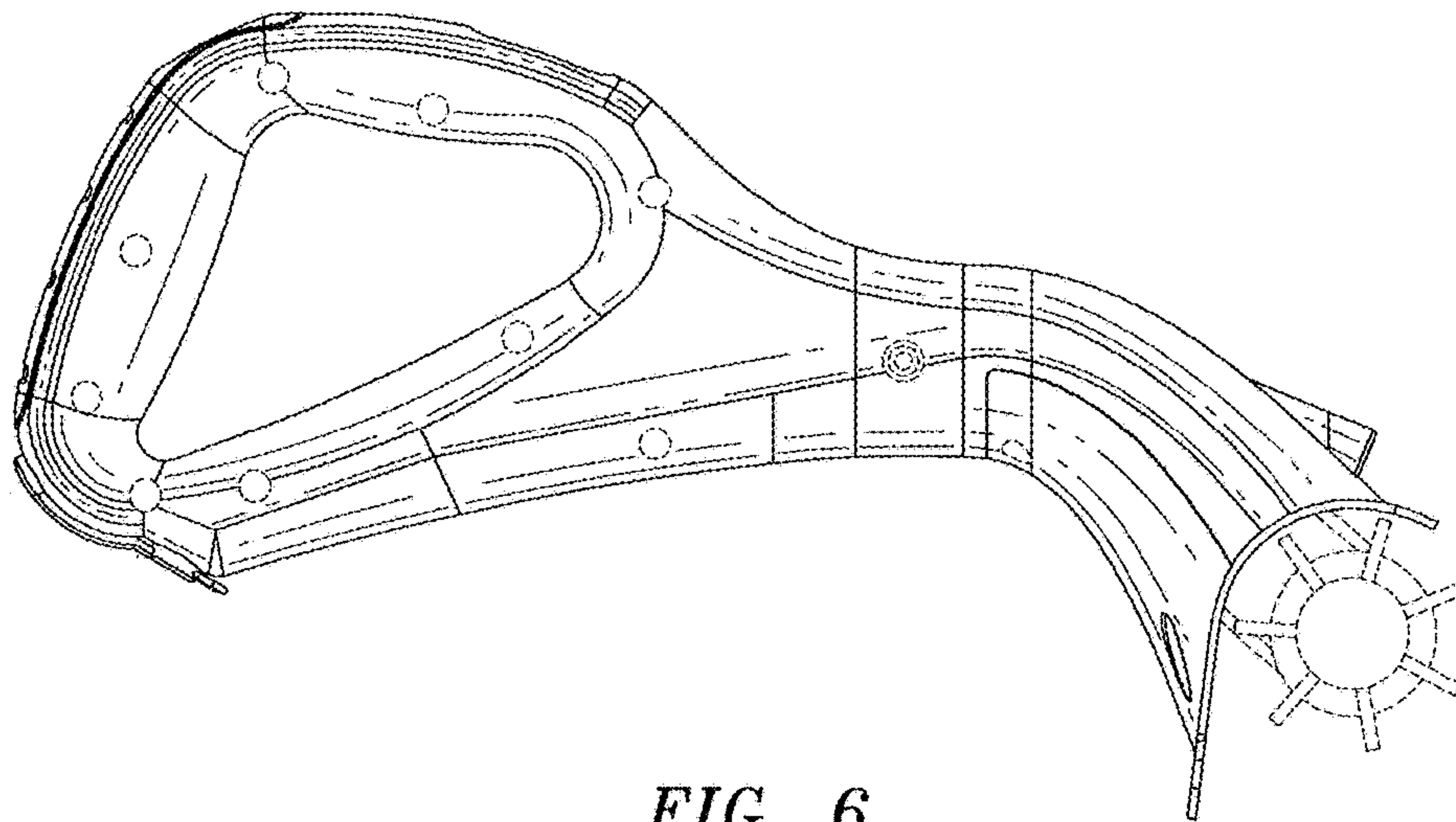
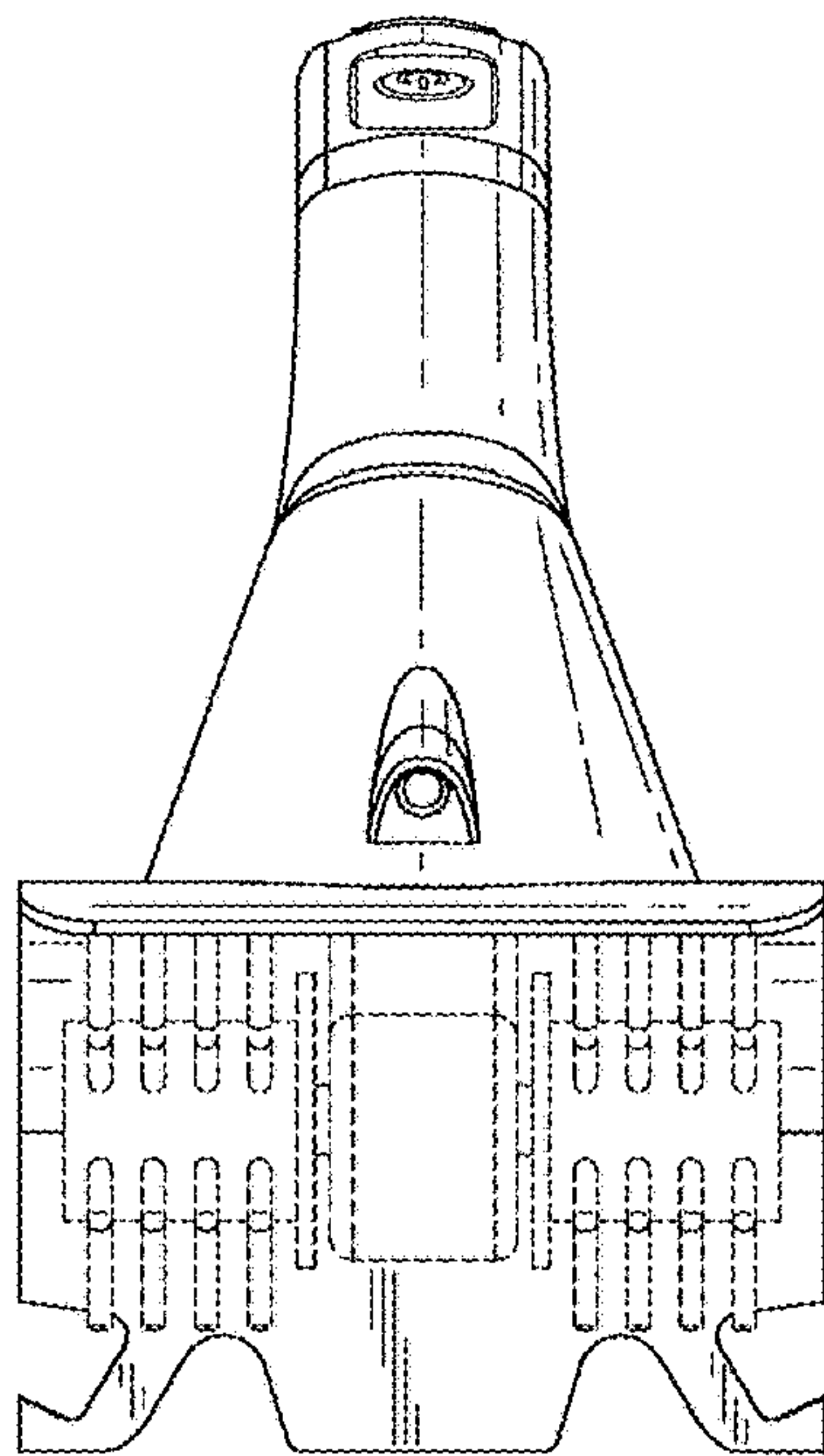
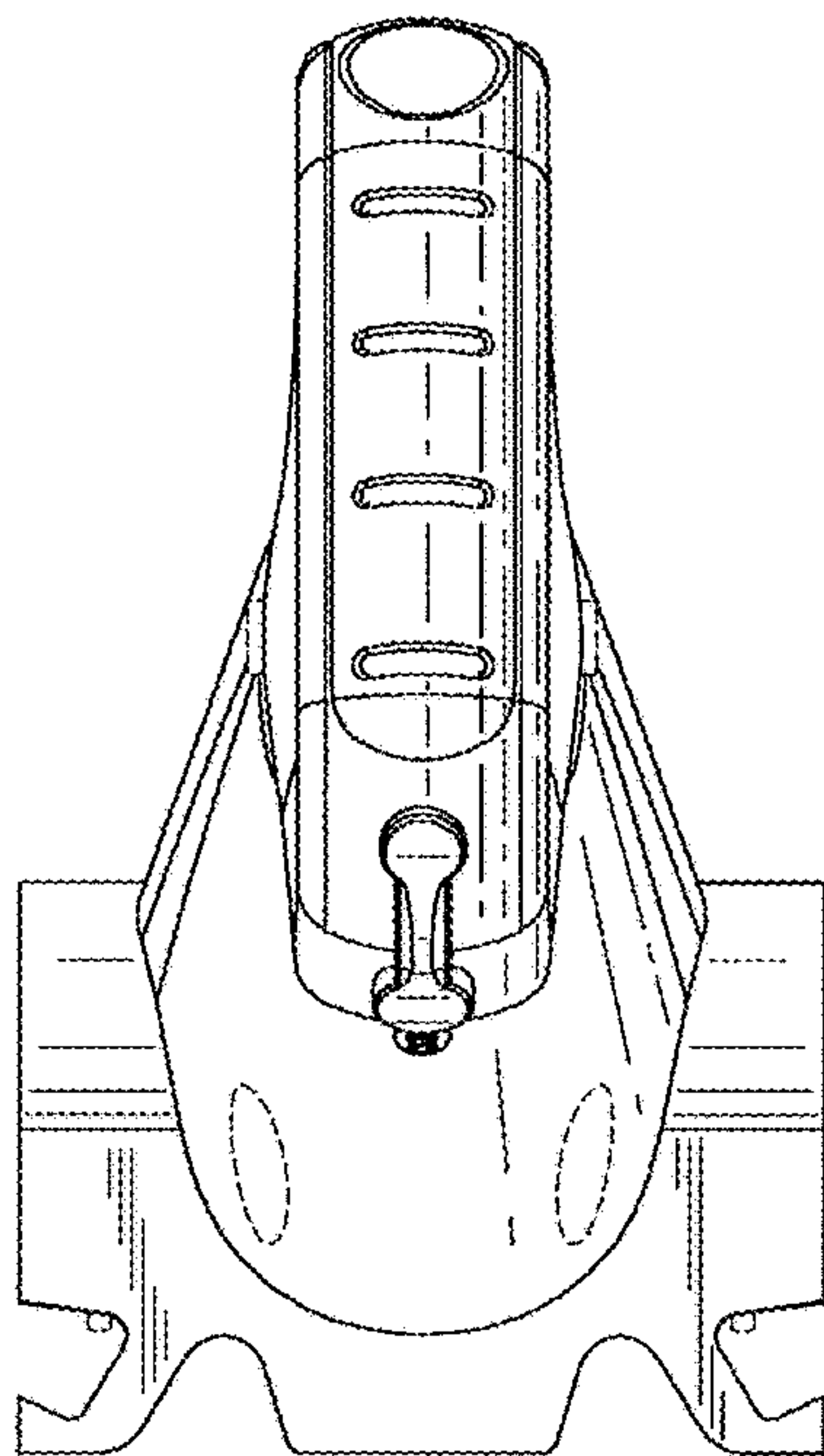


FIG. 6



*FIG. 7*



*FIG. 8*