



US00D834826S

(12) **United States Design Patent** (10) **Patent No.:** **US D834,826 S**  
**Keong** (45) **Date of Patent:** **\*\* Dec. 4, 2018**

(54) **HAIR BRUSH**  
(71) Applicant: **KENFORD INDUSTRIAL COMPANY LIMITED, N. T. (HK)**  
(72) Inventor: **Wai Ho Michael Keong, N. T. (HK)**  
(73) Assignee: **KENFORD INDUSTRIAL COMPANY LIMITED, N. T. (HK)**  
(\*\*) Term: **15 Years**

D803,572 S \* 11/2017 Nichols ..... D4/102  
D816,346 S \* 5/2018 Zhou ..... D4/100  
D817,007 S \* 5/2018 Guy-Rabi ..... A46B 9/06  
D4/136  
D821,649 S \* 6/2018 Qin ..... D28/35  
D821,754 S \* 7/2018 Huang ..... D4/100  
2002/0116774 A1\* 8/2002 Forrest ..... A45D 29/17  
15/22.1  
2016/0227898 A1\* 8/2016 Wu ..... A45D 2/002  
2017/0290733 A1\* 10/2017 Lin ..... A45D 1/04  
2017/0332850 A1\* 11/2017 Powell ..... A46B 5/0095  
2018/0125223 A1\* 5/2018 Exley ..... A46B 15/003

\* cited by examiner

(21) Appl. No.: **29/630,110**  
(22) Filed: **Dec. 19, 2017**  
(51) **LOC (11) Cl.** ..... **04-02**  
(52) **U.S. Cl.**  
USPC ..... **D4/100**  
(58) **Field of Classification Search**  
USPC ..... D4/100, 108, 110, 111, 116, 127, 132,  
D4/136, 199; D28/9, 10, 13, 14, 15, 17,  
D28/21, 24, 38, 61, 73, 74  
See application file for complete search history.

*Primary Examiner* — Wan Laymon  
*Assistant Examiner* — Clint A Samuel  
(74) *Attorney, Agent, or Firm* — Rabin & Berdo, P.C.

(57) **CLAIM**  
The ornamental design for a hair brush, as shown and described.

**DESCRIPTION**

FIG. 1 is a front view of a hair brush showing my new design;  
FIG. 2 is a rear view thereof;  
FIG. 3 is a top plan view thereof;  
FIG. 4 is a bottom plan view thereof;  
FIG. 5 is a right side view thereof, the left side view being a mirror image thereof;  
FIG. 6 is a front and left side perspective view thereof; and,  
FIG. 7 is a rear and right side perspective view thereof.

(56) **References Cited**  
U.S. PATENT DOCUMENTS  
D236,167 S \* 7/1975 Daher ..... D28/13  
D322,892 S \* 1/1992 Kwok-Fai Au ..... D4/100  
D744,755 S \* 12/2015 Reishus ..... D4/102  
D752,348 S \* 3/2016 Donald ..... D4/116  
D771,951 S \* 11/2016 Reishus ..... D4/100  
D795,595 S \* 8/2017 Exley ..... D4/121

**1 Claim, 3 Drawing Sheets**







Fig. 1

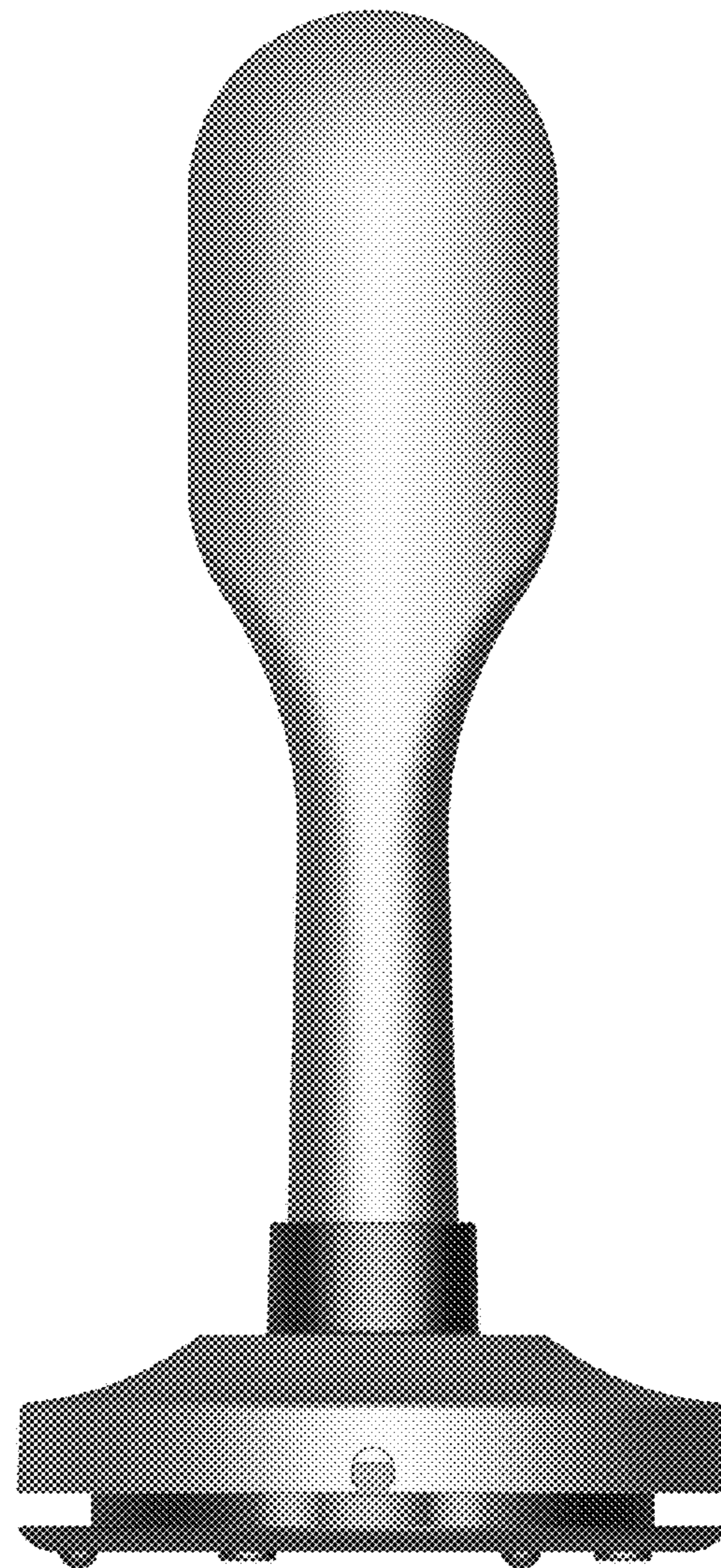


Fig. 2



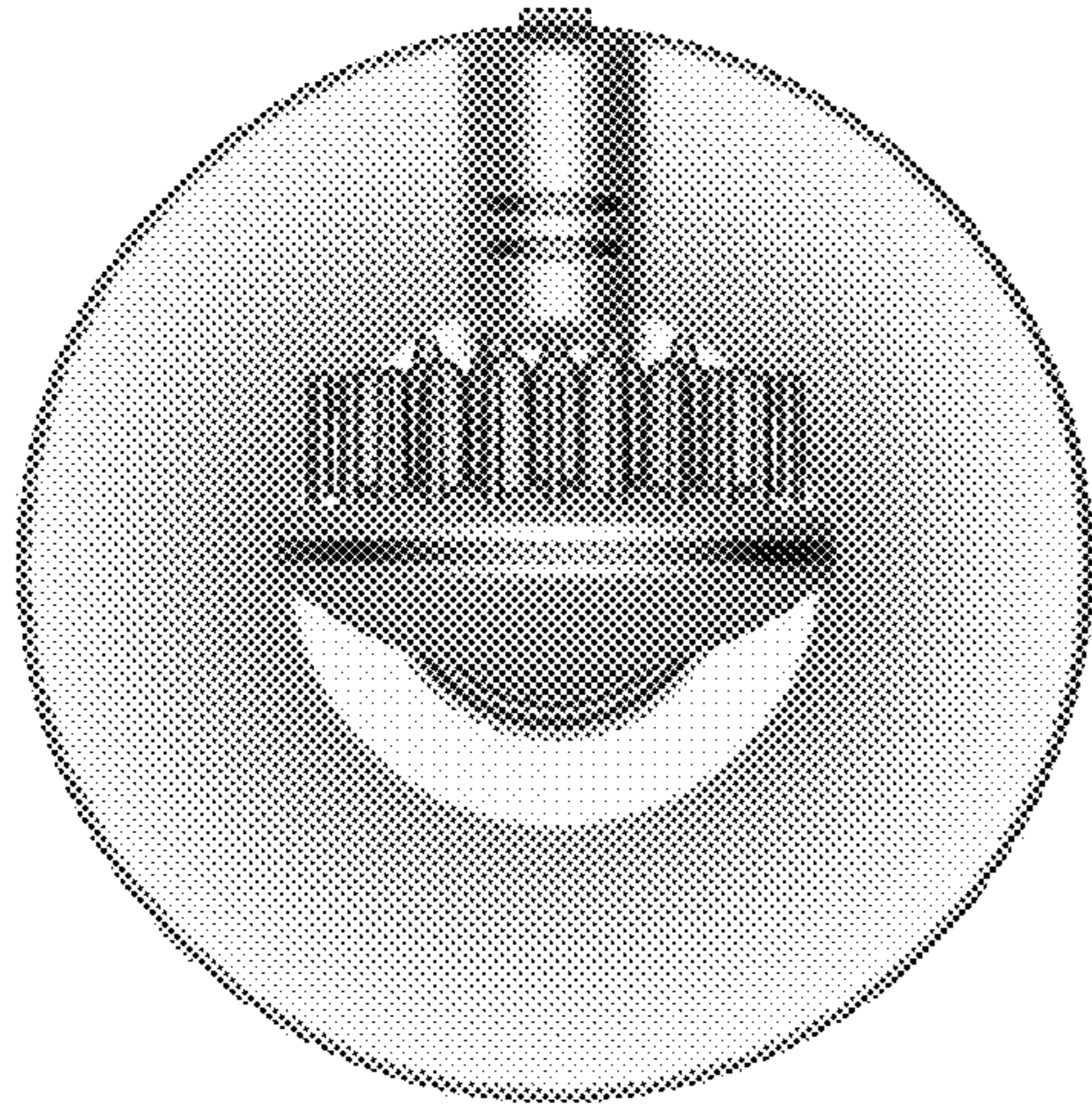


Fig. 3

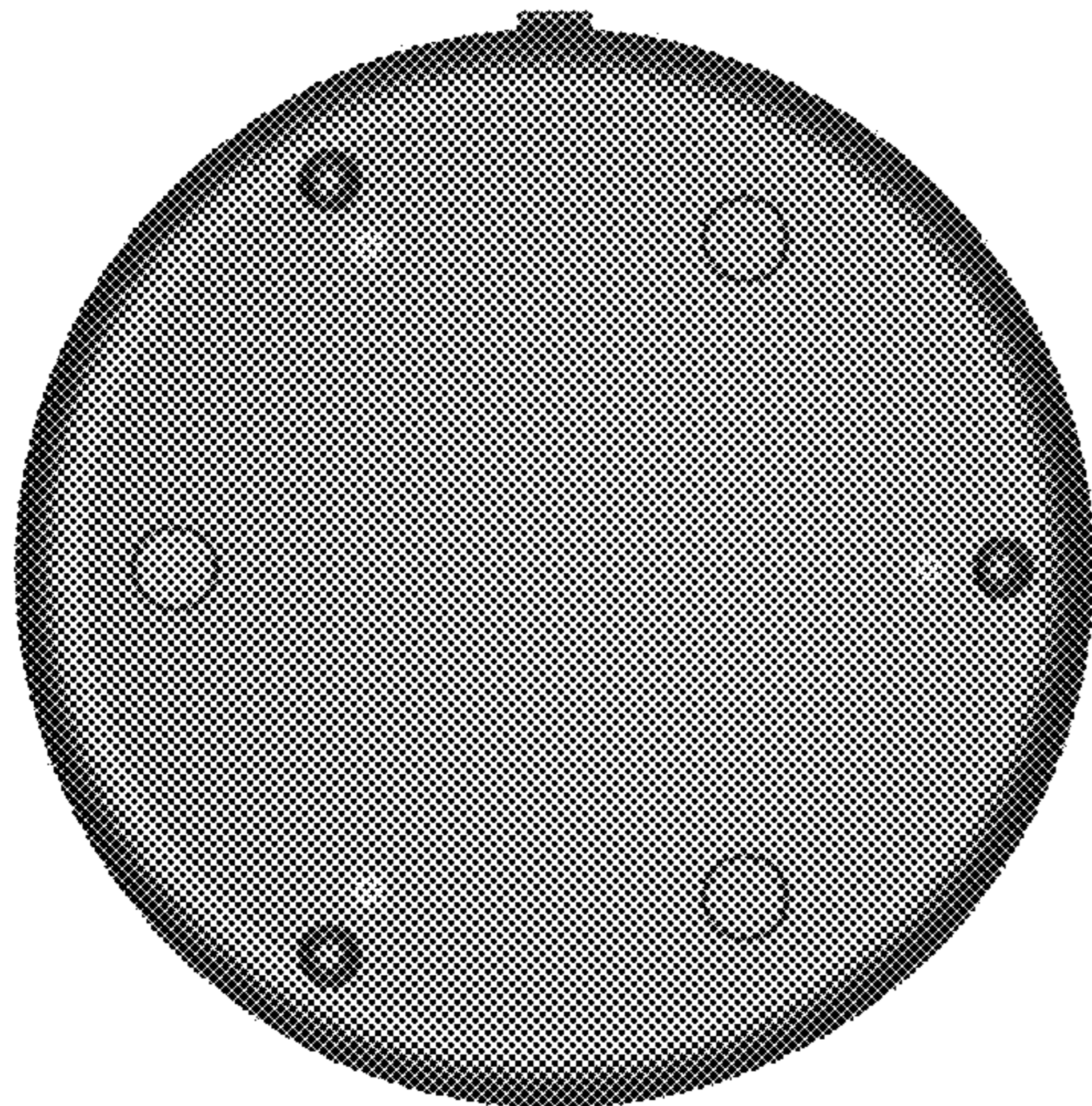


Fig. 4

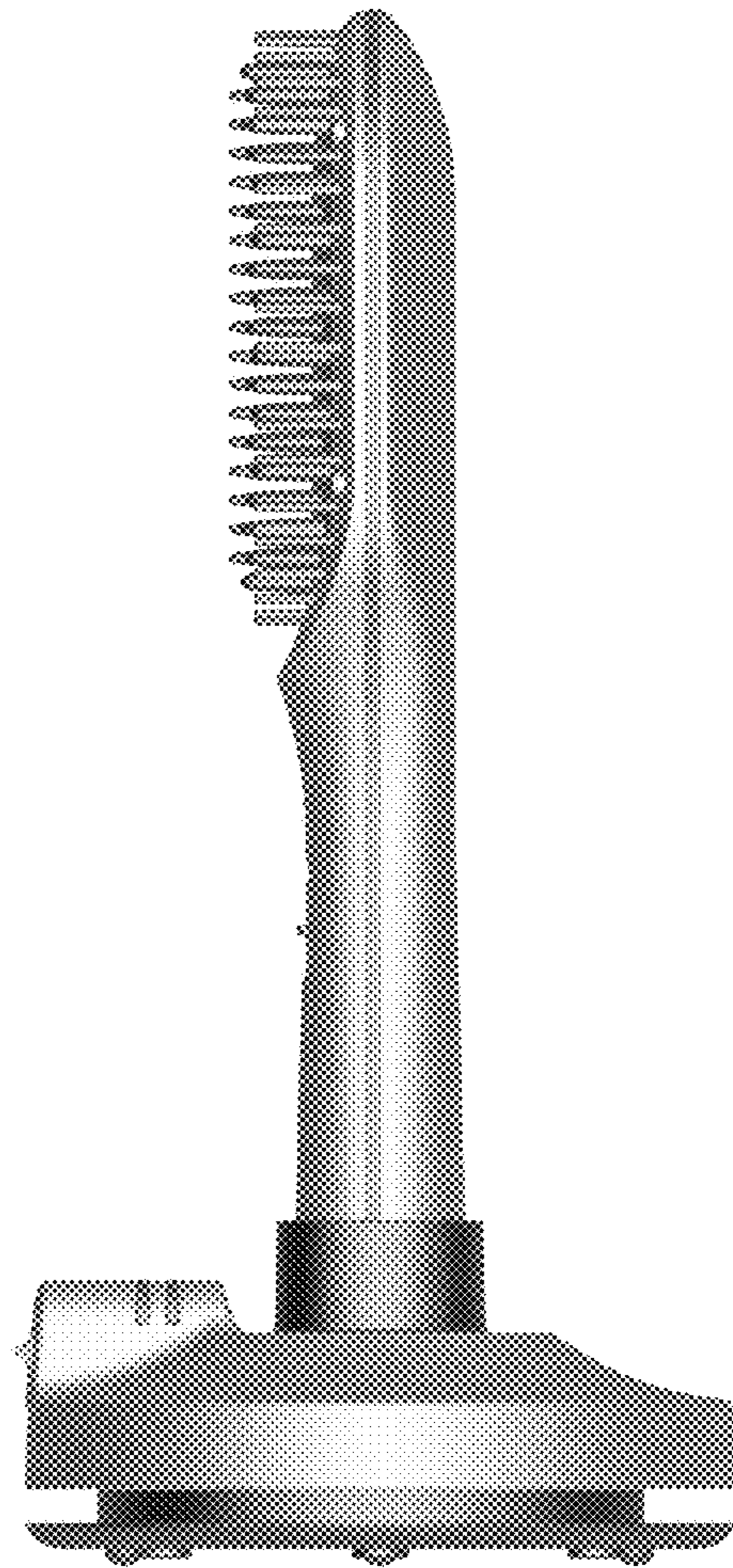


Fig. 5





Fig. 6

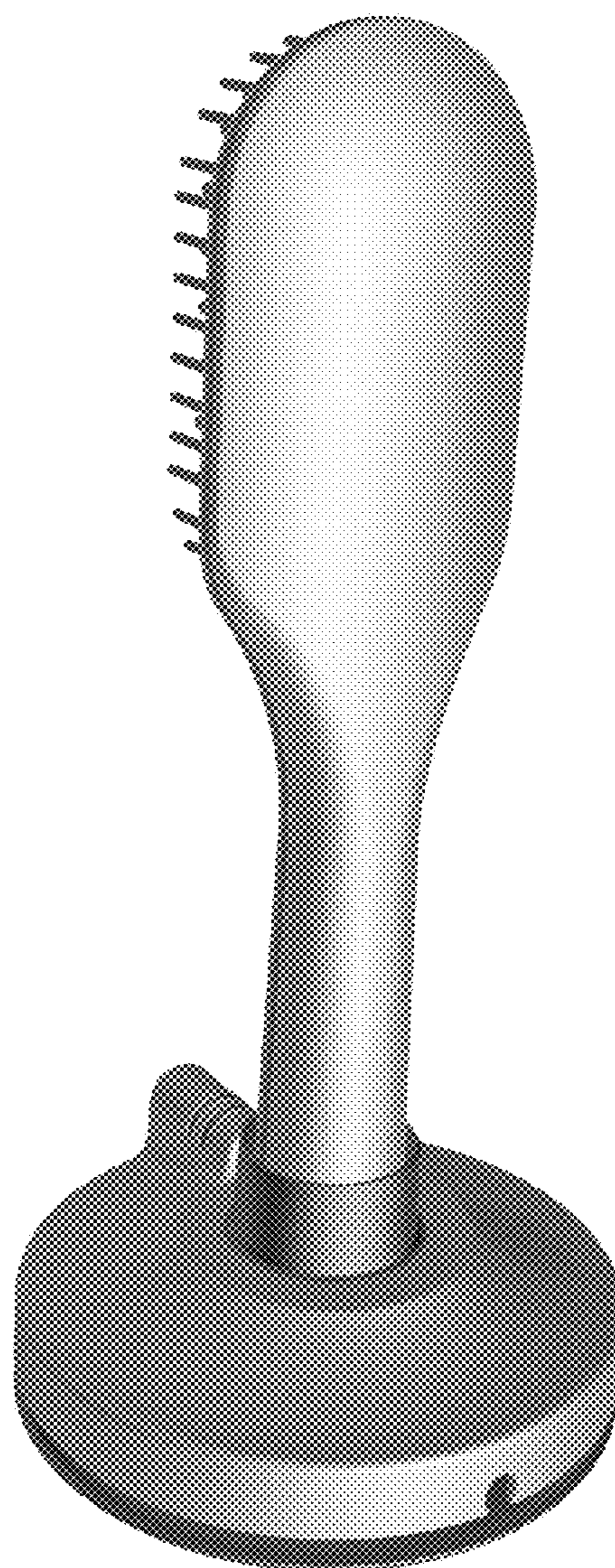


Fig. 7