



US00D834823S

(12) **United States Design Patent** (10) **Patent No.:** **US D834,823 S**
Cavazos, III (45) **Date of Patent:** **** Dec. 4, 2018**

(54) **DRYWALL KNIFE AND TOOL HOLDER**
(71) Applicant: **Conrado G. Cavazos, III**, San Antonio, TX (US)
(72) Inventor: **Conrado G. Cavazos, III**, San Antonio, TX (US)
(**) Term: **15 Years**
(21) Appl. No.: **29/608,367**
(22) Filed: **Jun. 21, 2017**

Primary Examiner — Kelley Donnelly
(74) *Attorney, Agent, or Firm* — Volk & McElroy, LLP; Michael D. Volk, Jr.

(57) **CLAIM**

The ornamental design for a drywall knife and tool holder, as shown and described.

Related U.S. Application Data

(62) Division of application No. 29/560,367, filed on Apr. 6, 2016, now Pat. No. Des. 796,203.
(51) **LOC (11) Cl.** **03-01**
(52) **U.S. Cl.**
USPC **D3/313**
(58) **Field of Classification Search**
USPC D3/304, 313, 314, 318-319; D7/637-638; D8/71
CPC A47G 21/14; A45F 2200/05; A45F 2200/0575; B25H 3/006
See application file for complete search history.

DESCRIPTION

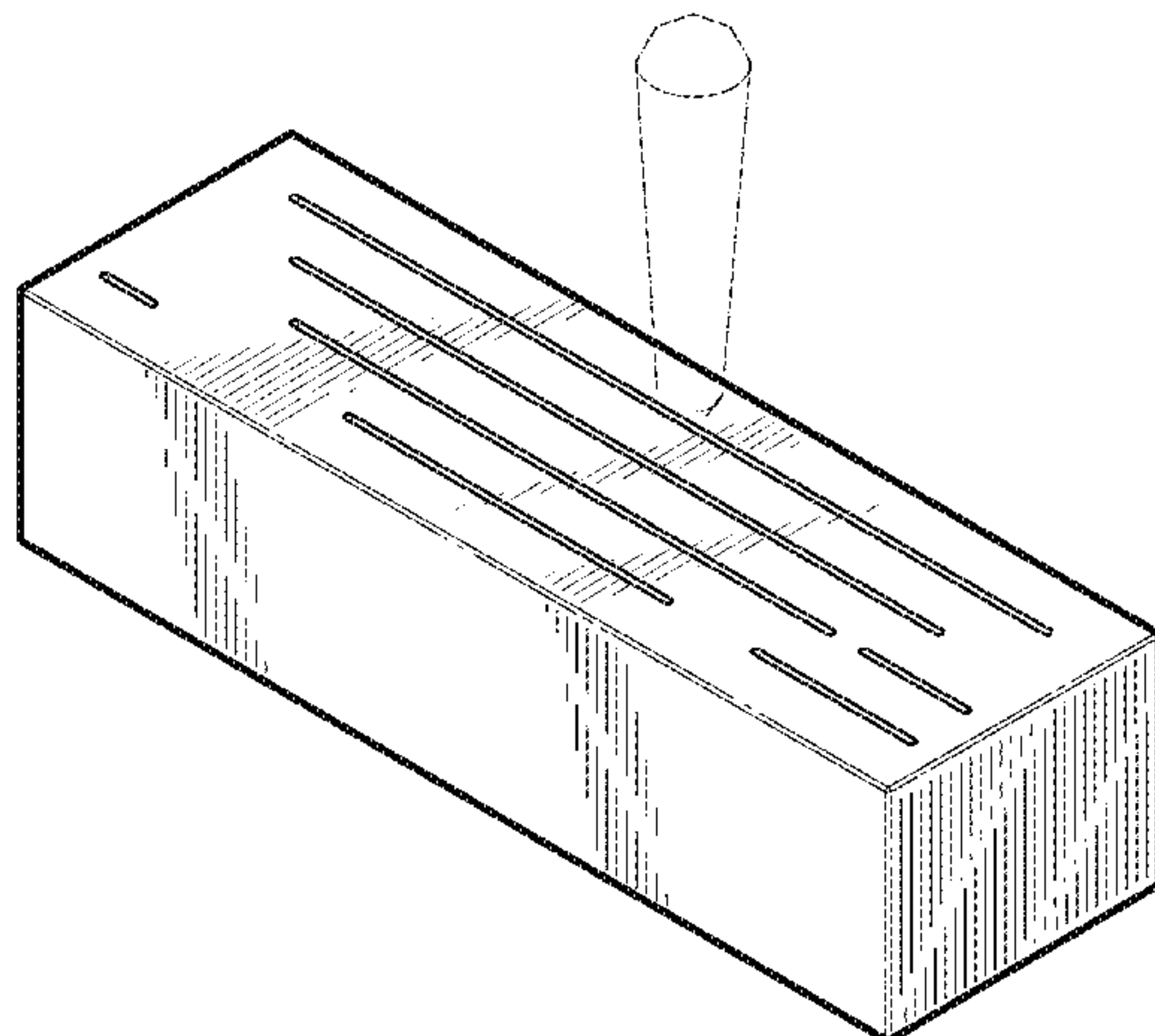
FIG. 1 is a perspective view of my drywall knife and tool holder design.
FIG. 2 is a top view of my design of FIG. 1.
FIG. 3 is a bottom view of my design of FIG. 1.
FIG. 4 is a front view of my design of FIG. 1, the rear view is the same as the front view.
FIG. 5 is a right side view of my design of FIG. 1, the left side view is the mirror image of the right side view.
FIG. 6 is a sectional view through the section 14-14 of FIG. 2.
FIG. 7 is a sectional view through the section 15-15 of FIG. 2.
FIG. 8 is a sectional view through the section 16-16 of FIG. 2.
FIG. 9 is a perspective view of another embodiment of my drywall knife and tool holder design.
FIG. 10 is a top view of my design of FIG. 9.
FIG. 11 is a front view of my design of FIG. 9, the rear view is the same as the front view.
FIG. 12 is a right side view of my design of FIG. 9, the left side view is the mirror image of the right side view.
FIG. 13 is a sectional view through the section 21-21 of FIG. 10.
FIG. 14 is a sectional view through the section 22-22 of FIG. 10; and,
FIG. 15 is a sectional view through the section 23-23 of FIG. 10.

(56) **References Cited**
U.S. PATENT DOCUMENTS
4,303,188 A 12/1981 Calabrese
5,398,809 A 3/1995 Henke et al.
D371,727 S 7/1996 Gebhardt
D382,774 S 8/1997 Cohen et al.
D414,086 S 9/1999 Ancona et al.
6,012,584 A 1/2000 Dawson
6,877,231 B2 4/2005 Rosenberg et al.
(Continued)

OTHER PUBLICATIONS

Gore Gear, Wet Brush Storage, Jul. 26, 2016 via Internet ArchiveWayback Machine, available at <https://web.archive.org/web/20130726103947/http://core-gear.com/paint-it/cg-paint-accessories/wet-brush.html>.

(Continued)



The broken lines in the drawings depict features that form no part of the claimed design.

1 Claim, 10 Drawing Sheets

(56)

References Cited

U.S. PATENT DOCUMENTS

D507,145	S	7/2005	Santos	
7,290,656	B1	11/2007	Crawford	
D629,232	S *	12/2010	Forcellina D6/675.1
D648,940	S	11/2011	Britt et al.	
D669,321	S	10/2012	Pezzini	
D700,781	S	3/2014	Moran	
8,857,630	B2	10/2014	Zirkle	
D760,551	S	7/2016	Laamanen	
D779,893	S	2/2017	Gordon et al.	
D796,203	S *	9/2017	Cavazos, III D3/313
D818,269	S *	5/2018	Kao D3/313
D820,330	S *	6/2018	Di Monte, Sr. D15/140
10,005,634	B2 *	6/2018	Alletto, Jr. B65H 16/005
2005/0247587	A1	11/2005	Holland-Letz	
2014/0014542	A1	1/2014	DePaola et al.	

* cited by examiner

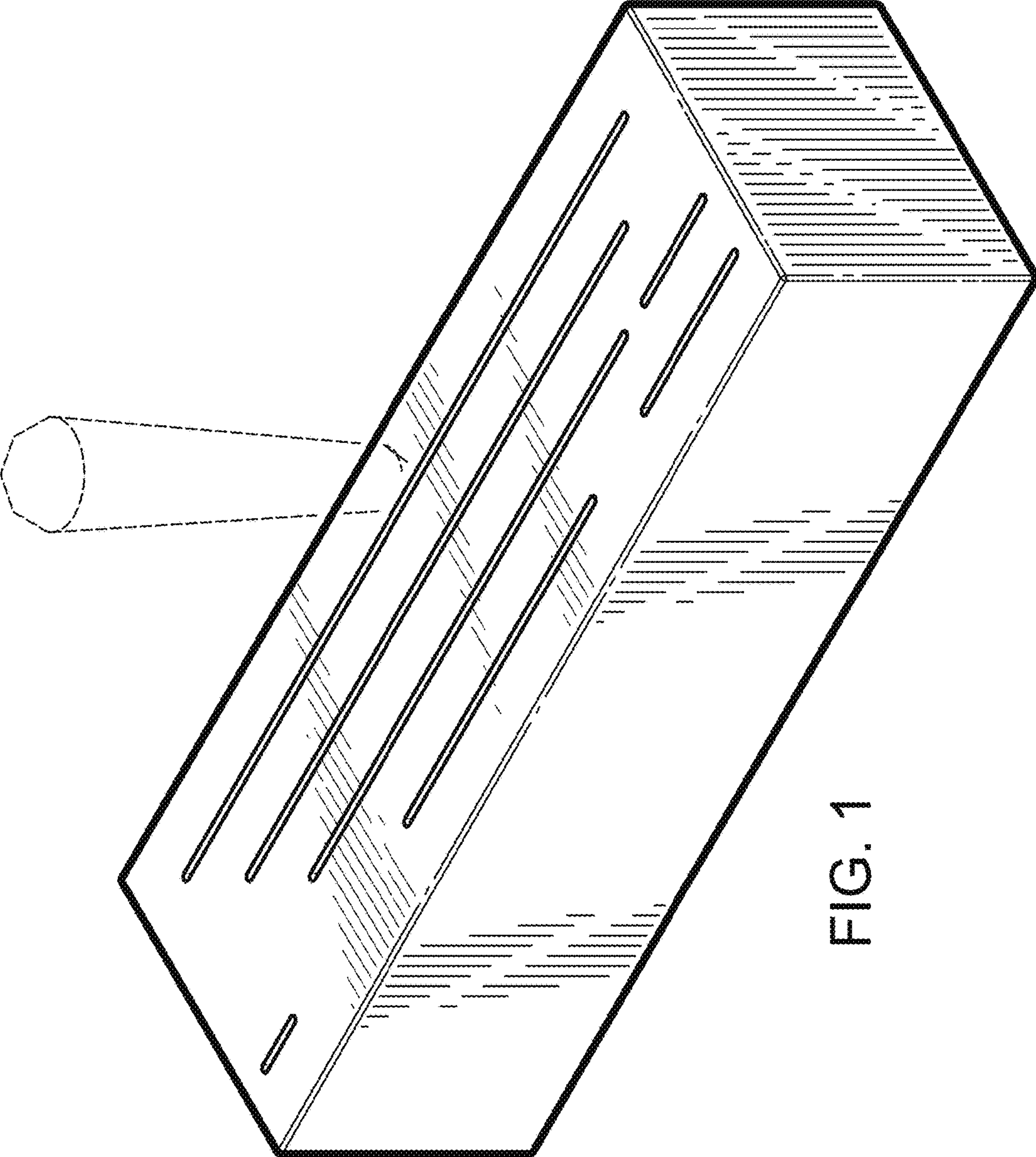


FIG. 1

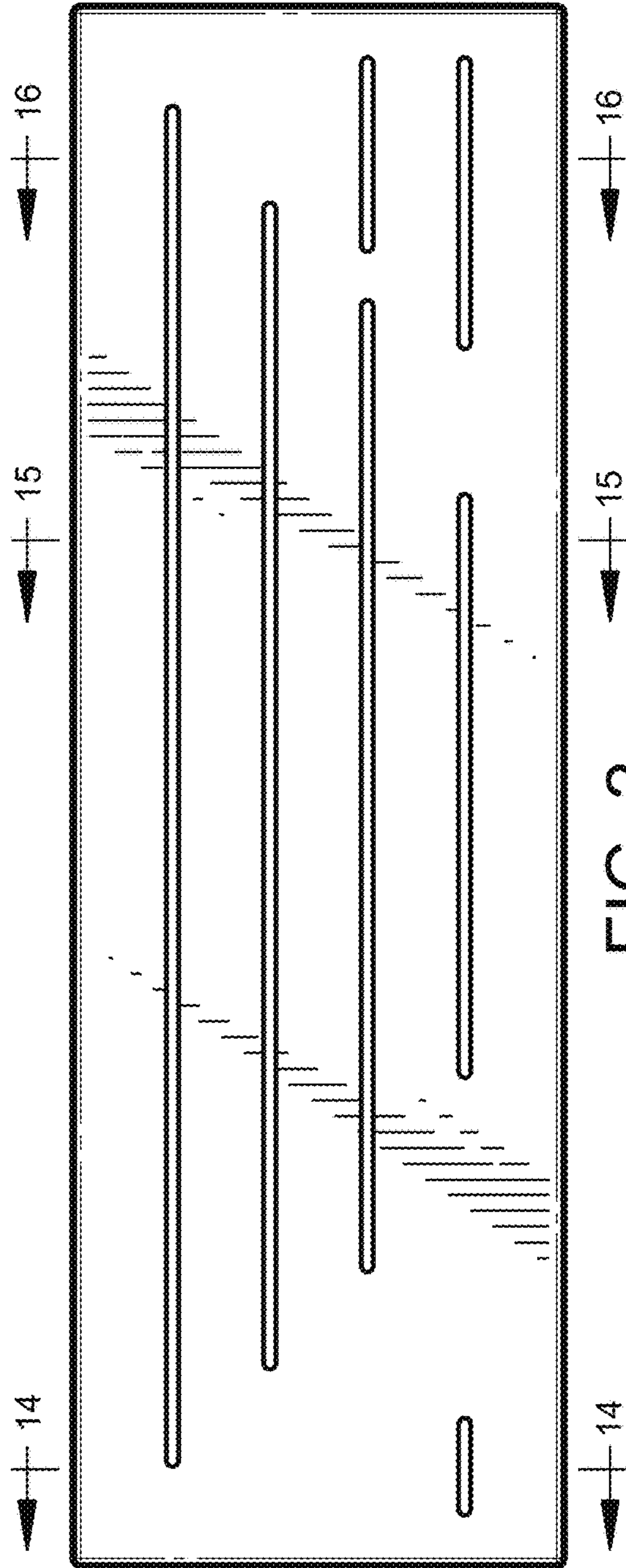


FIG. 2

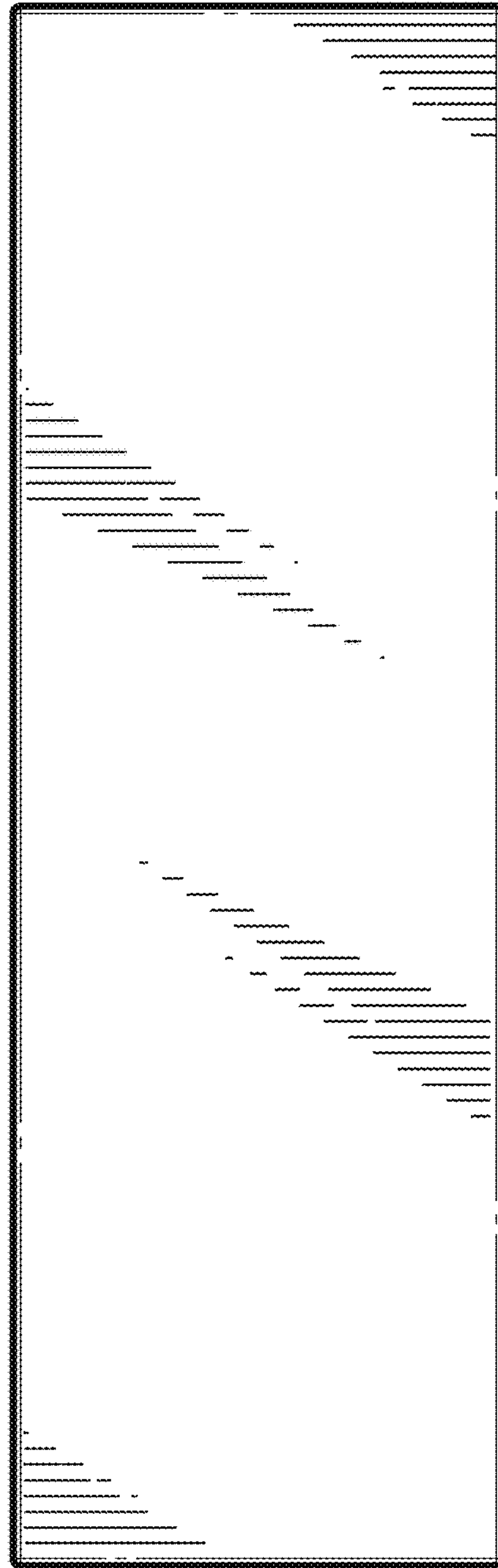


FIG. 3

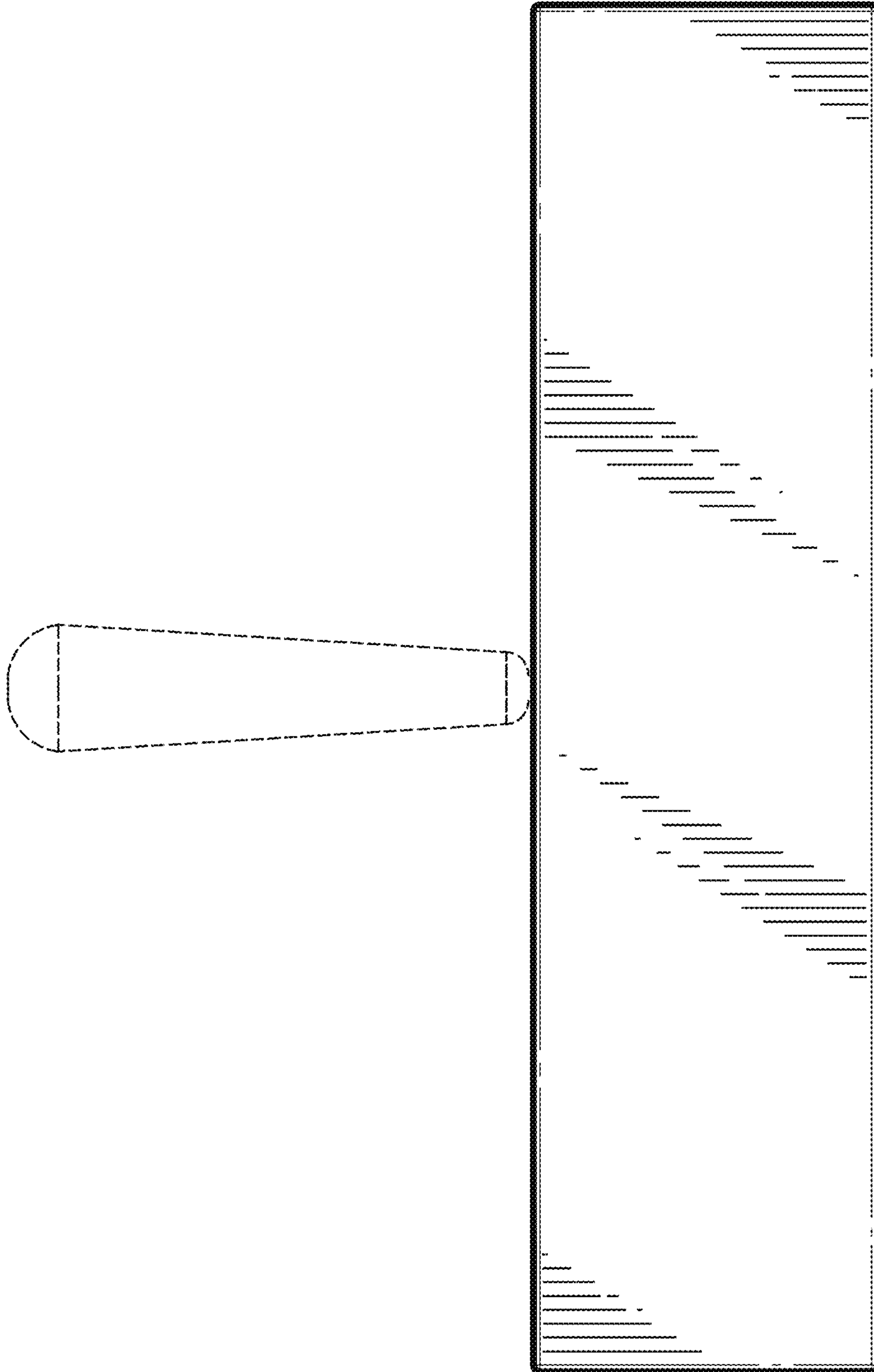


FIG. 4

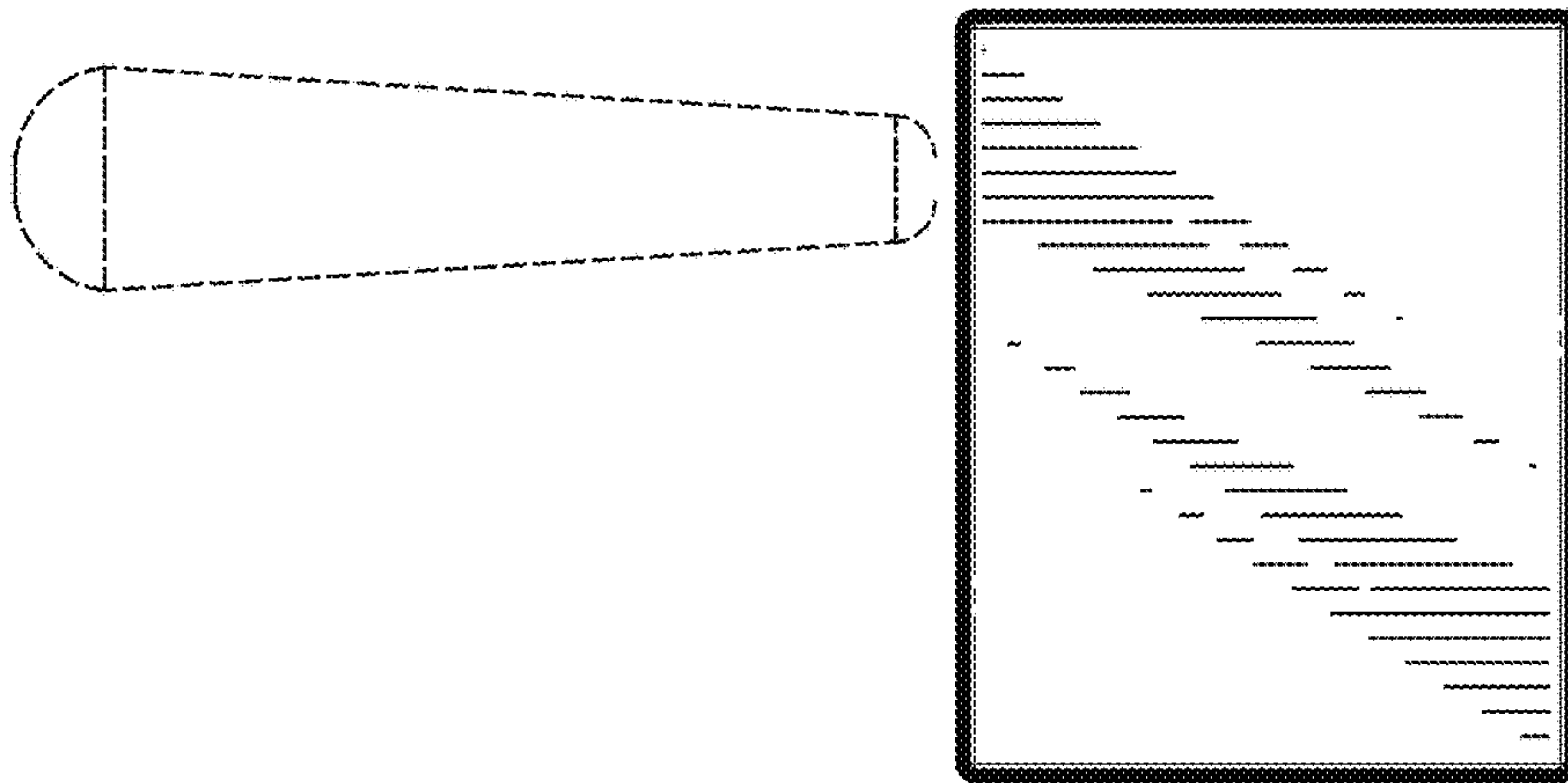


FIG. 5

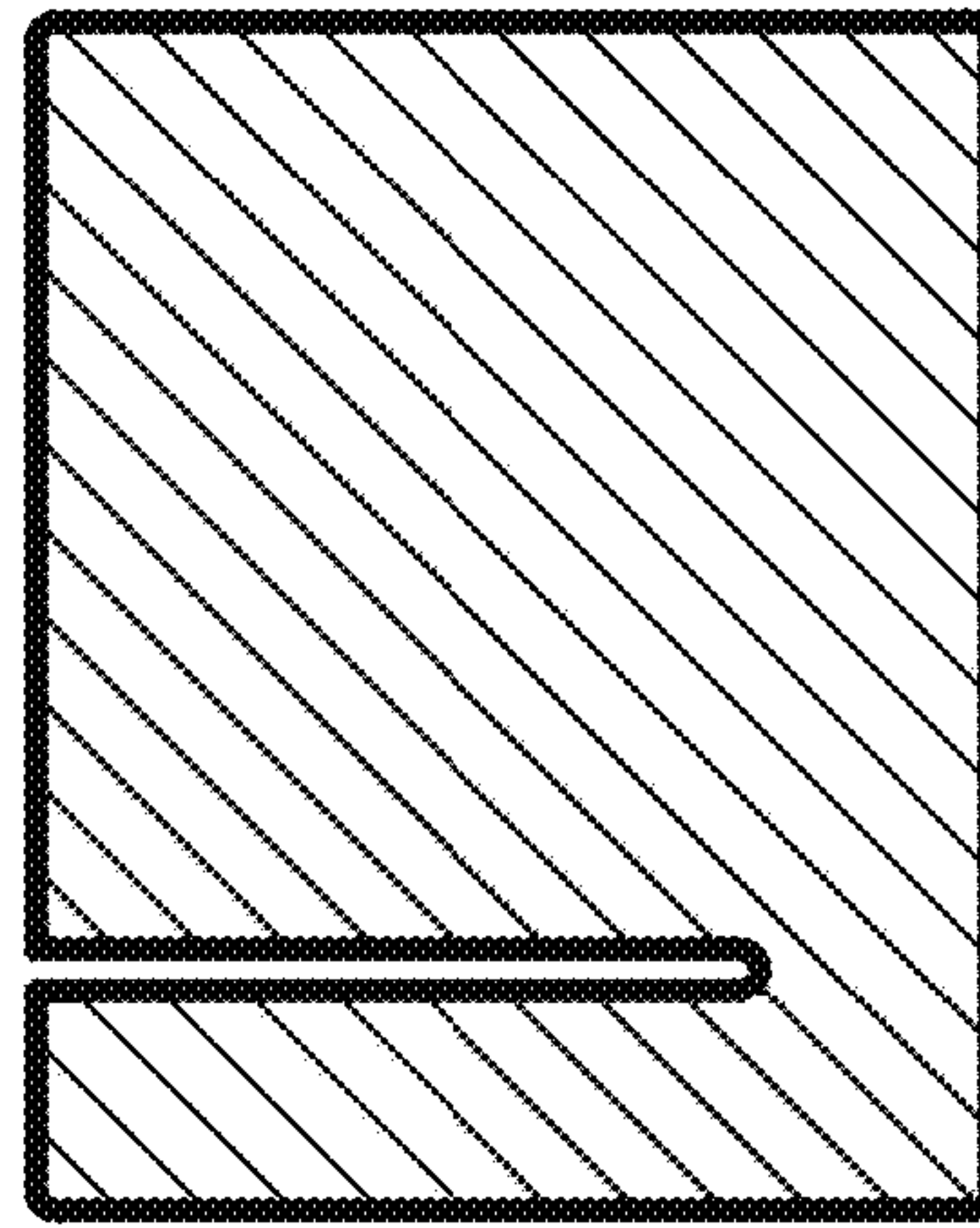


FIG. 6

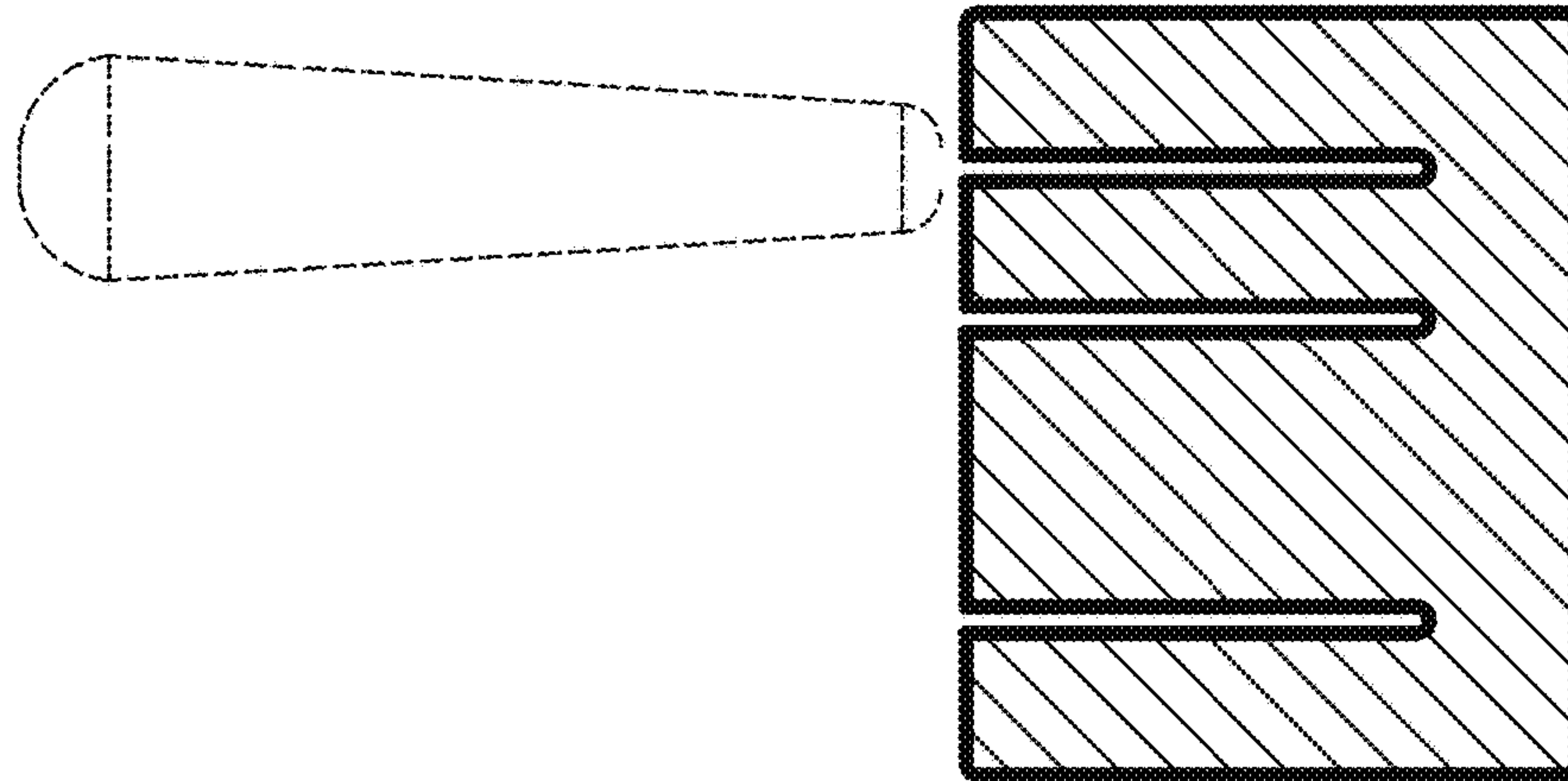


FIG. 7

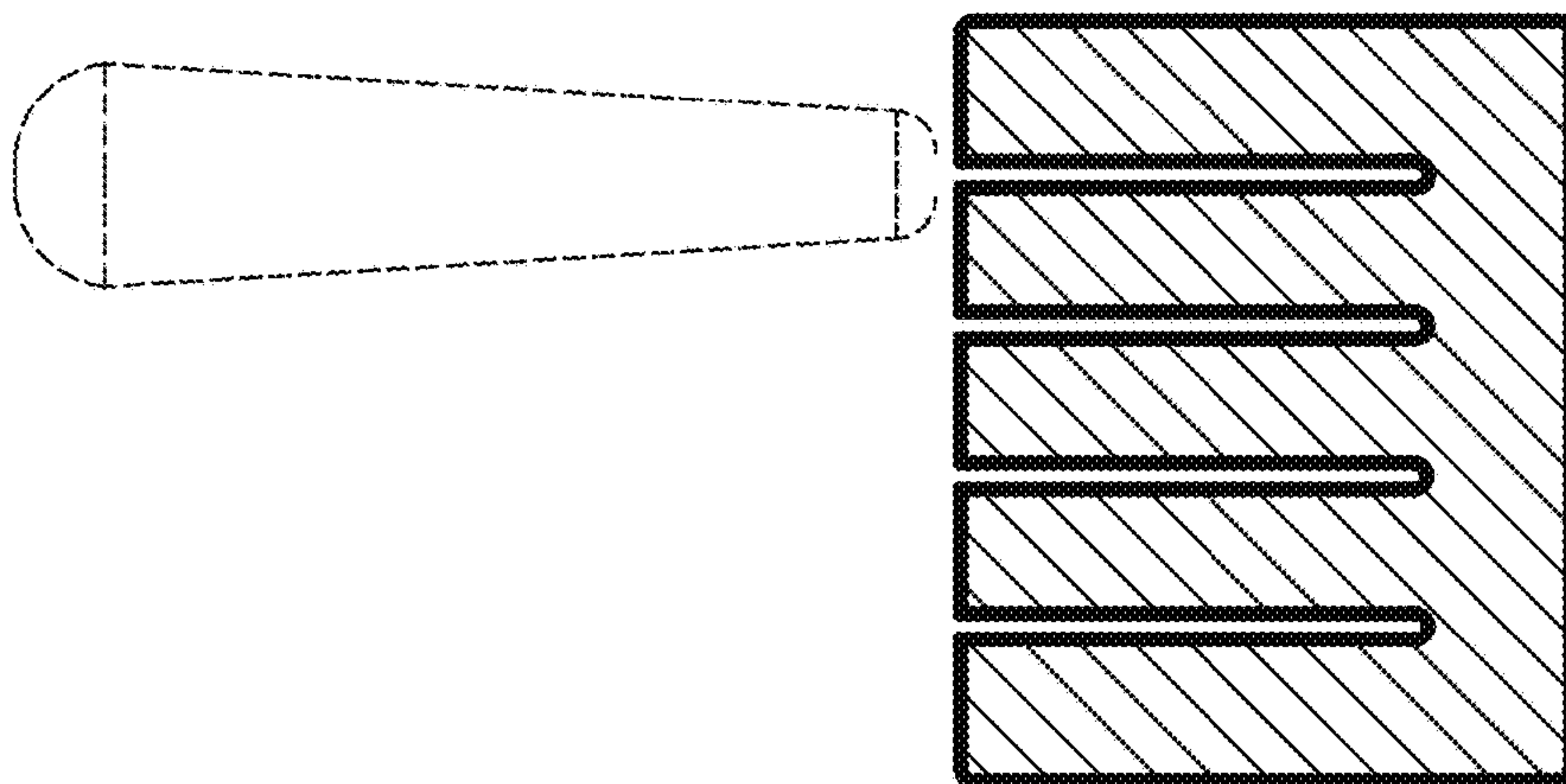


FIG. 8

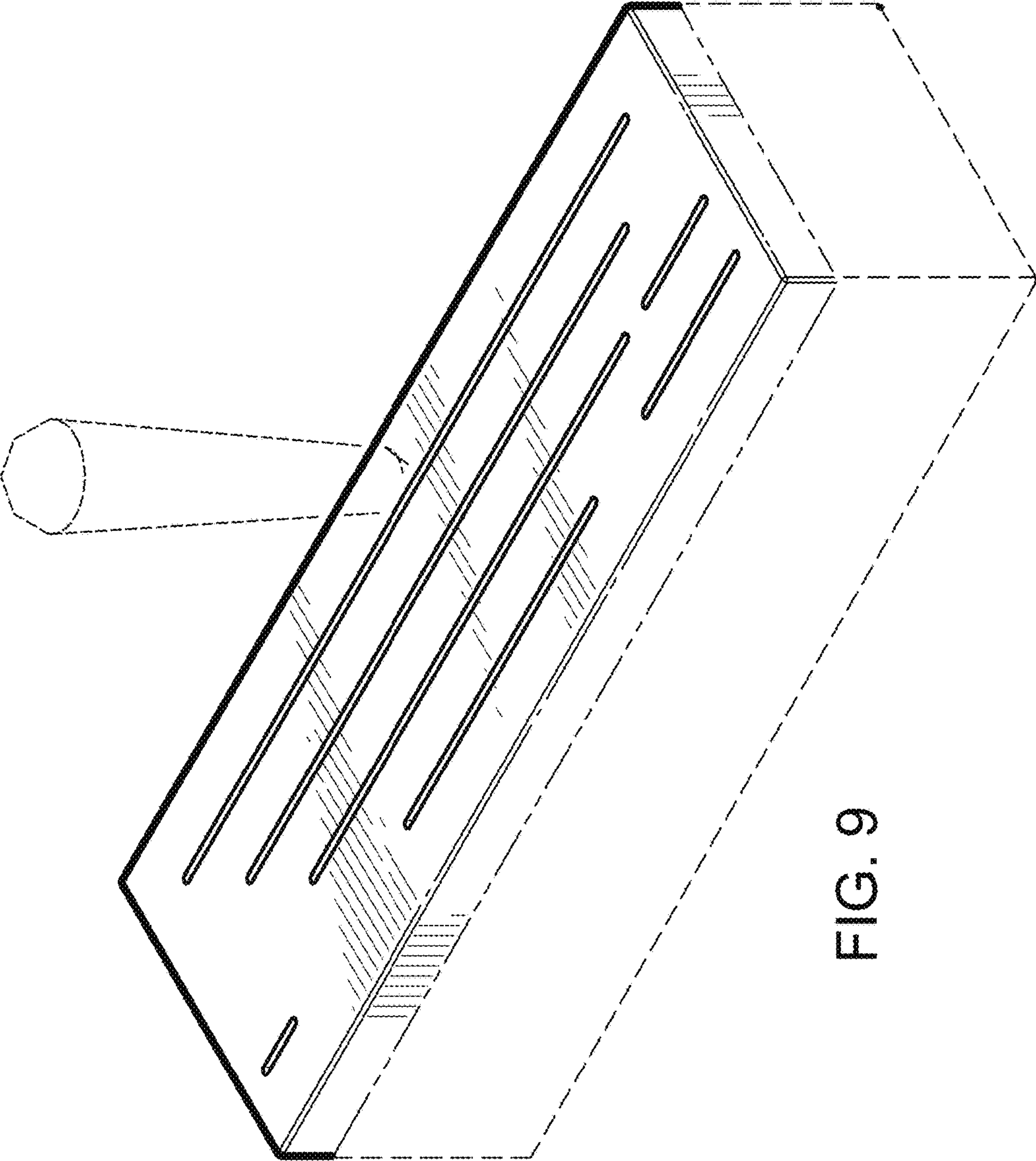


FIG. 9

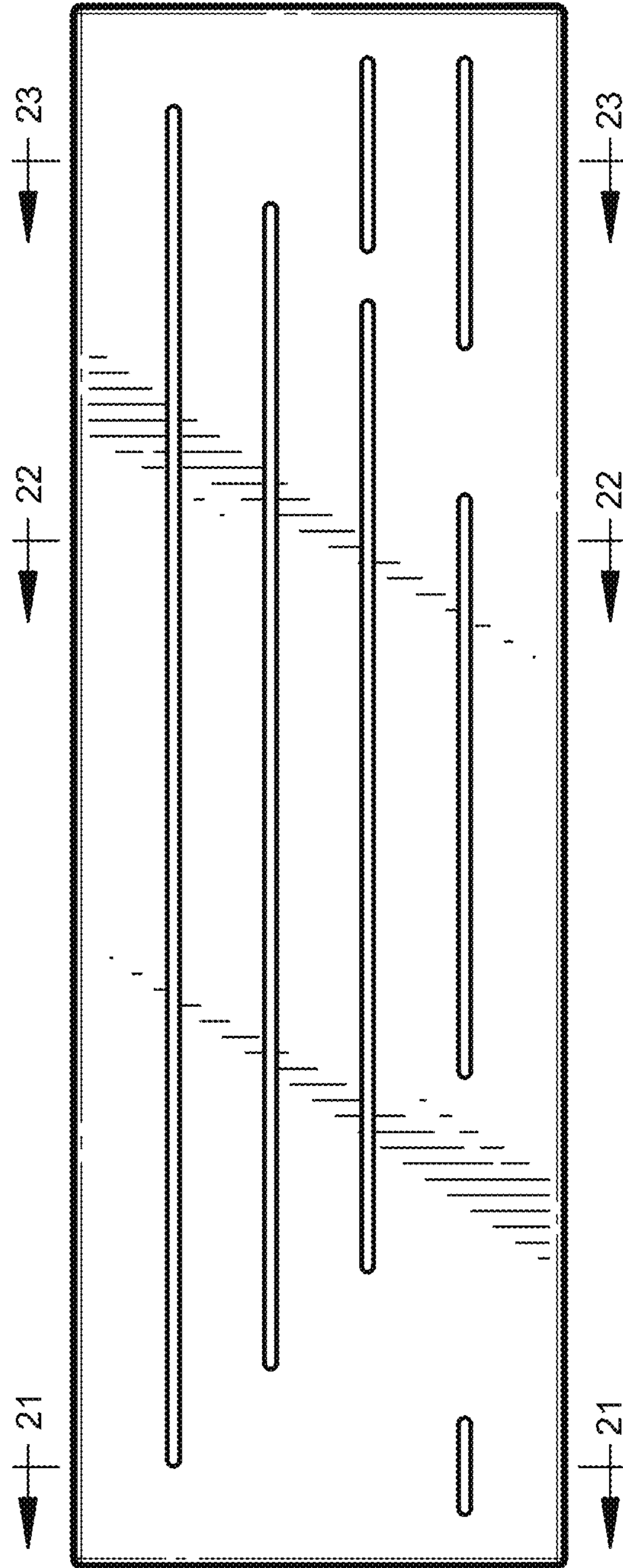


FIG. 10

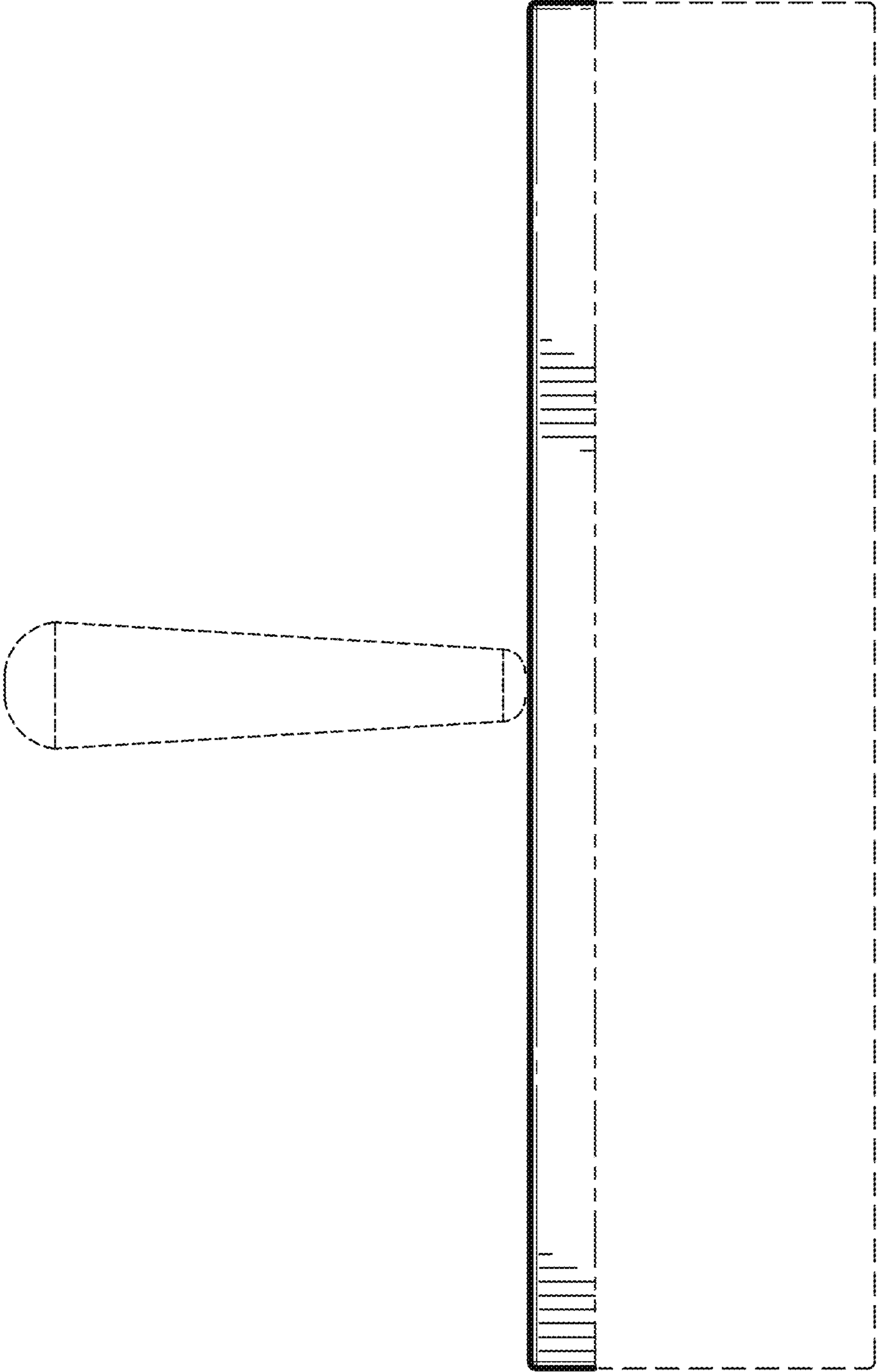


FIG. 11

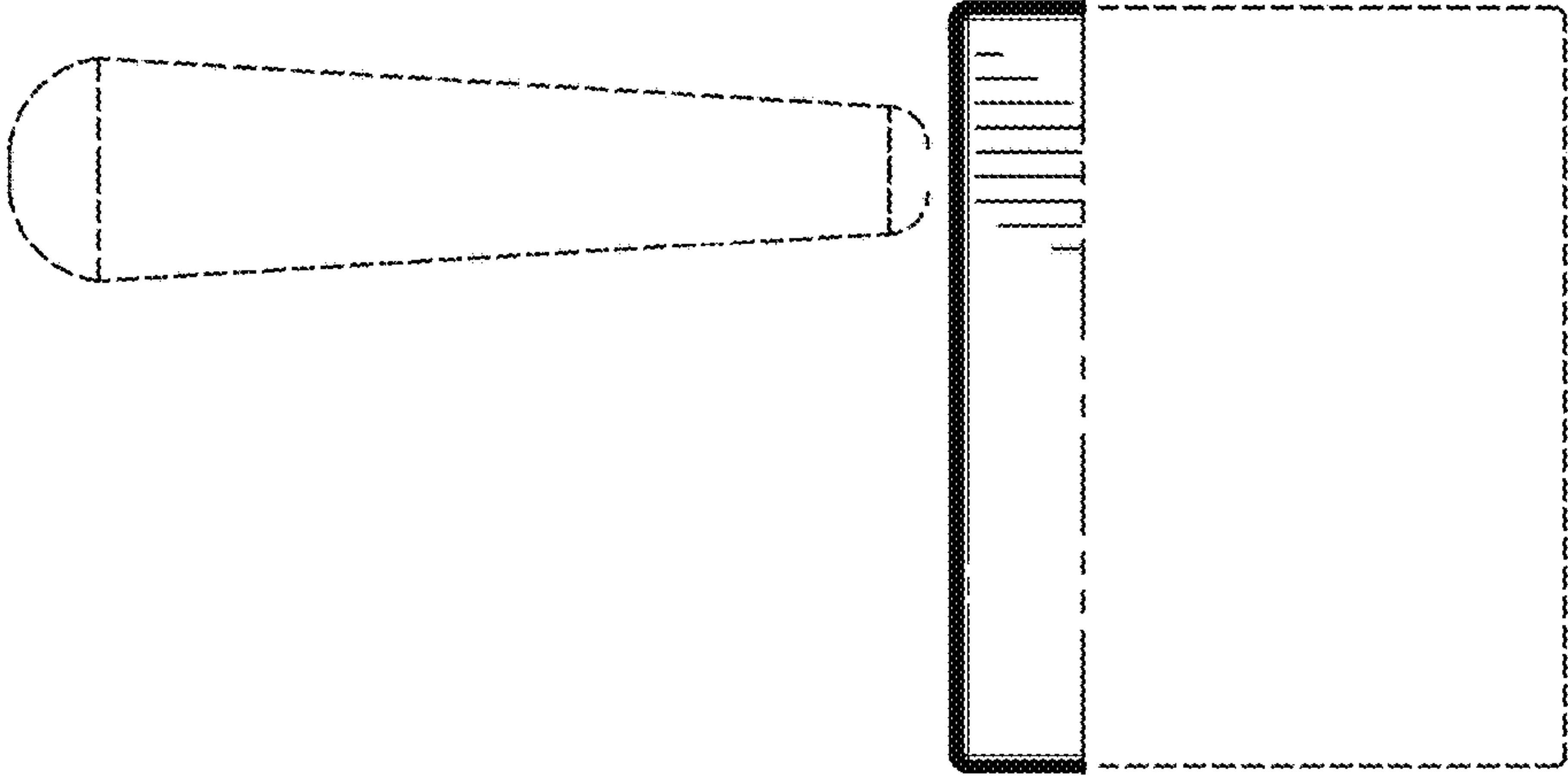


FIG. 12

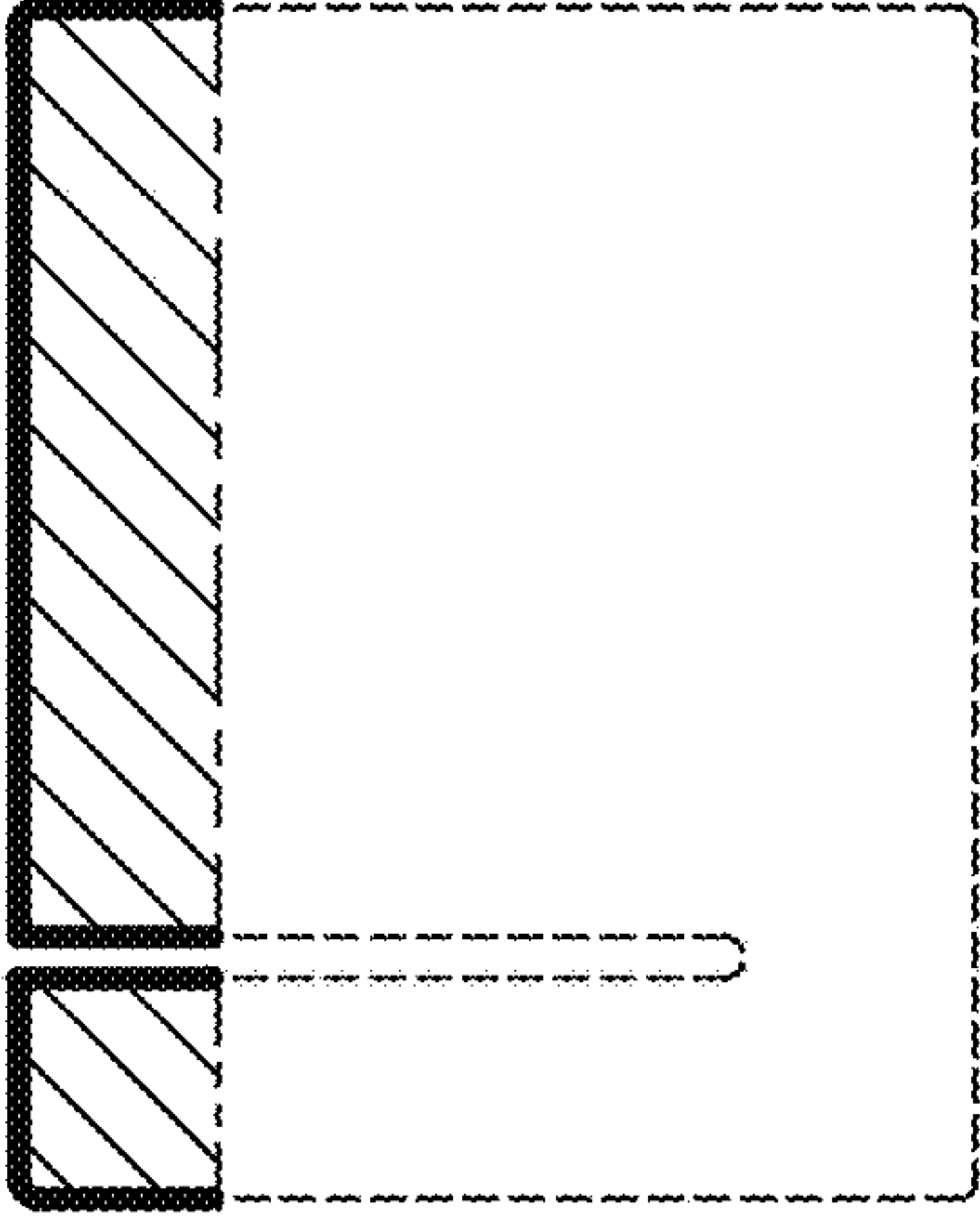


FIG. 13

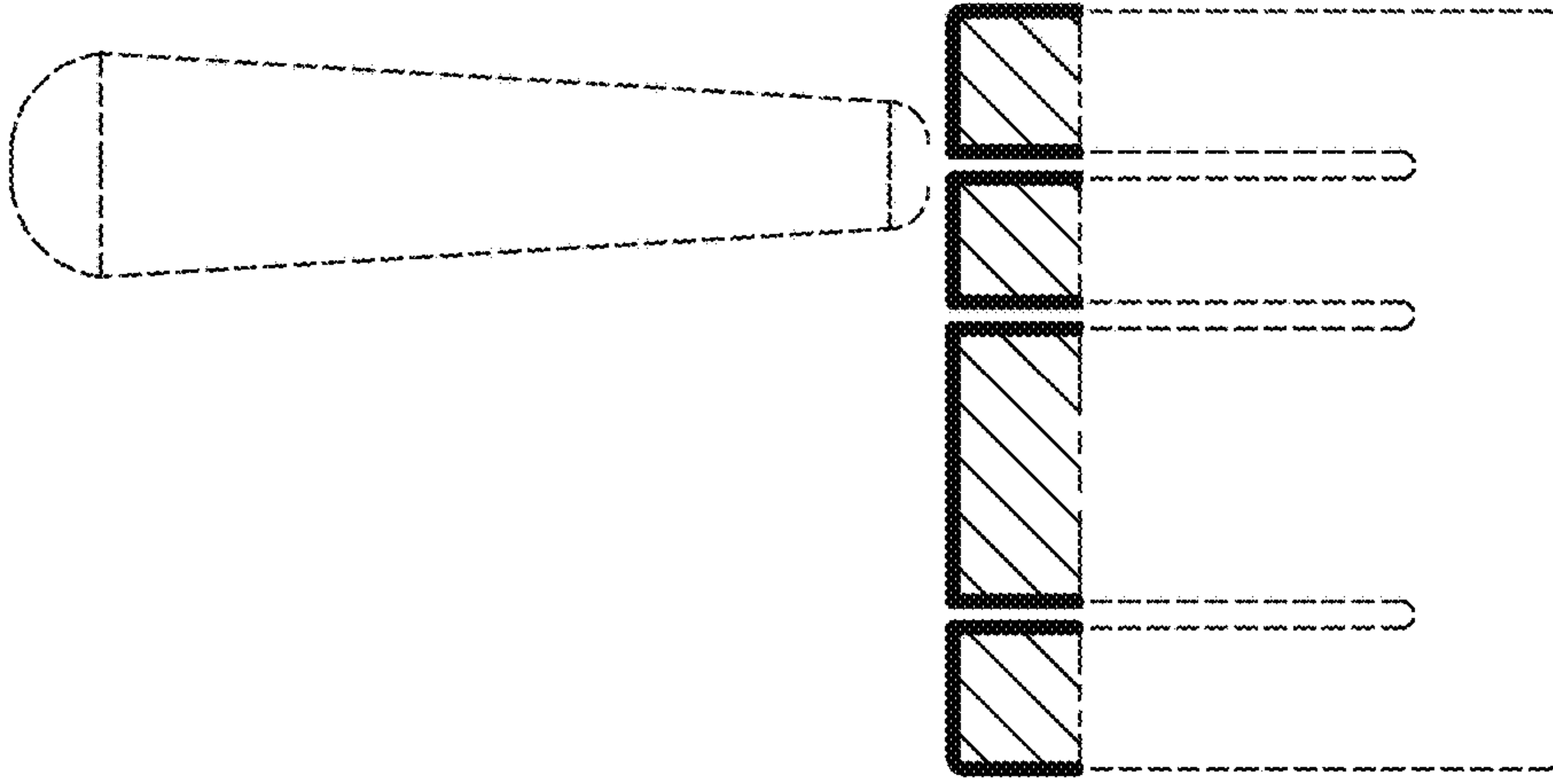


FIG. 14

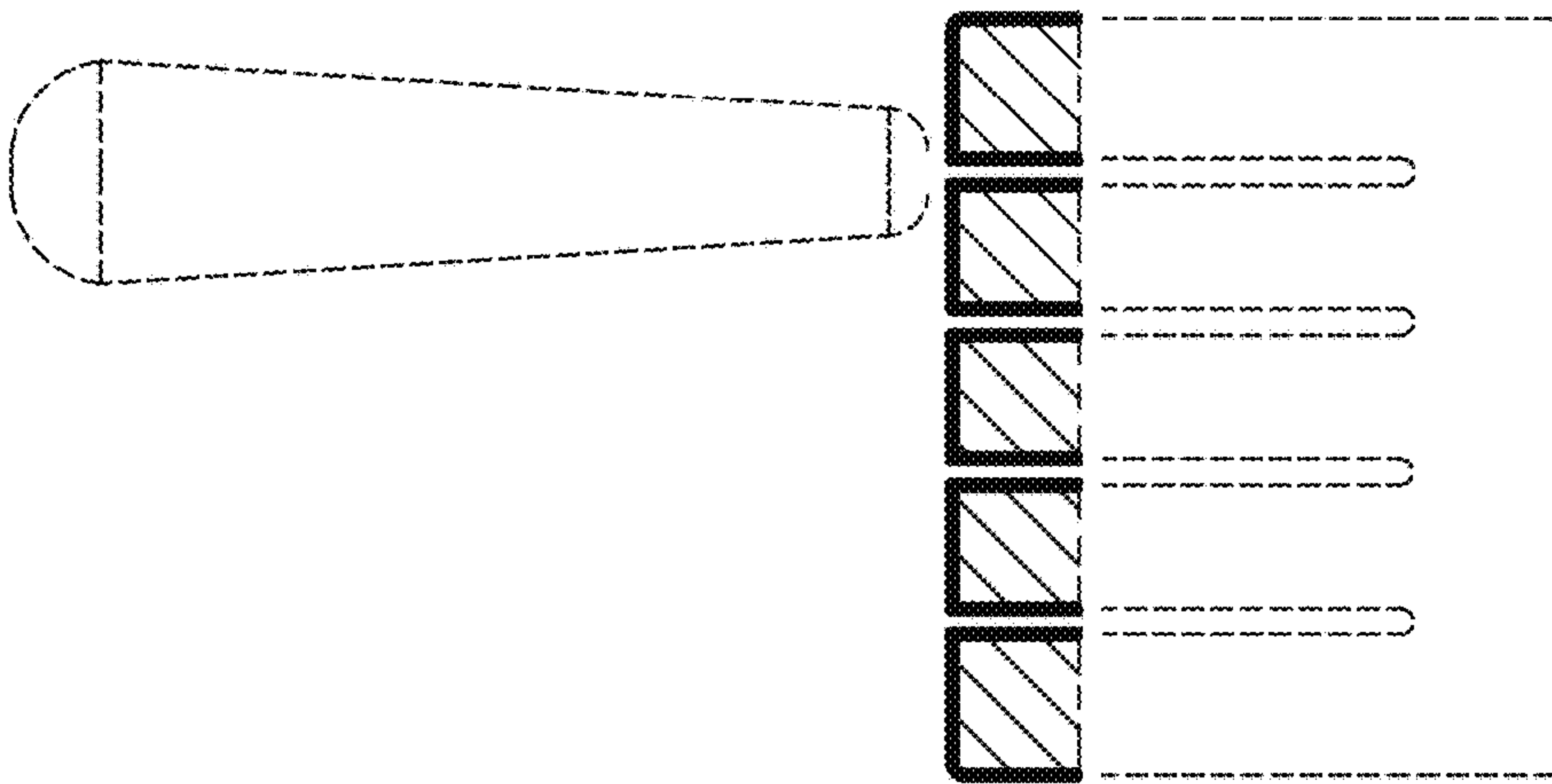


FIG. 15