



US00D834822S

(12) **United States Design Patent** (10) **Patent No.:** **US D834,822 S**
Laurita (45) **Date of Patent:** **** Dec. 4, 2018**

(54) **CONTAINER CRATES**

(71) Applicant: **Joseph N. Laurita**, Wayne, NJ (US)

(72) Inventor: **Joseph N. Laurita**, Wayne, NJ (US)

(**) Term: **15 Years**

(21) Appl. No.: **29/643,449**

(22) Filed: **Apr. 9, 2018**

(51) **LOC (11) Cl.** **03-01**

(52) **U.S. Cl.**
USPC **D3/307**

(58) **Field of Classification Search**
USPC D3/304–315; D6/672, 675, 682; D32/37
CPC B65D 1/00; B65D 11/00; B65D 21/00;
B65D 2588/02; D06F 95/002
See application file for complete search history.

(56) **References Cited**

U.S. PATENT DOCUMENTS

D228,881 S *	10/1973	Stauble	D3/312
D275,142 S *	8/1984	Torokvei	D3/312
D377,269 S *	1/1997	Provot	D3/304
D466,300 S *	12/2002	Walsh	D34/38
D505,262 S *	5/2005	Chinni	D3/309
8,375,687 B2	2/2013	Laurita		
8,602,240 B1	12/2013	Laurita		
8,726,618 B1	5/2014	Laurita		
D760,462 S *	6/2016	Kellogg	D3/304
D801,687 S *	11/2017	Holland	D3/309
D801,688 S *	11/2017	Holland	D3/309
D805,777 S *	12/2017	Wei	D3/305
D810,439 S *	2/2018	Martin Tellez	D3/314
D815,834 S *	4/2018	Felsenthal	D3/307

* cited by examiner

Primary Examiner — Kelley A Donnelly

(74) *Attorney, Agent, or Firm* — Walter J. Tencza, Jr.

(57) **CLAIM**

I claim the ornamental design for the container crates, as shown and described.

DESCRIPTION

FIG. 1 shows a top, right, and front perspective view of a first container crate, in accordance with the present invention.

FIG. 2 shows a bottom, left, and front perspective view of the first container crate of FIG. 1;

FIG. 3 shows an elevational right side view of the first container crate of FIG. 1, which is the same as an elevational left side view of the first container crate of FIG. 1;

FIG. 4 shows an elevational front view of the first container crate of FIG. 1, which is the same as an elevational rear view of the first container crate of FIG. 1;

FIG. 5 shows an elevational top view of the first container crate of FIG. 1;

FIG. 6 shows an elevational bottom view of the first container crate of FIG. 1;

FIG. 7 shows a top, right, and front perspective view of a first container crate, in accordance with the present invention.

FIG. 8 shows a bottom, left, and front perspective view of the second container crate of FIG. 7;

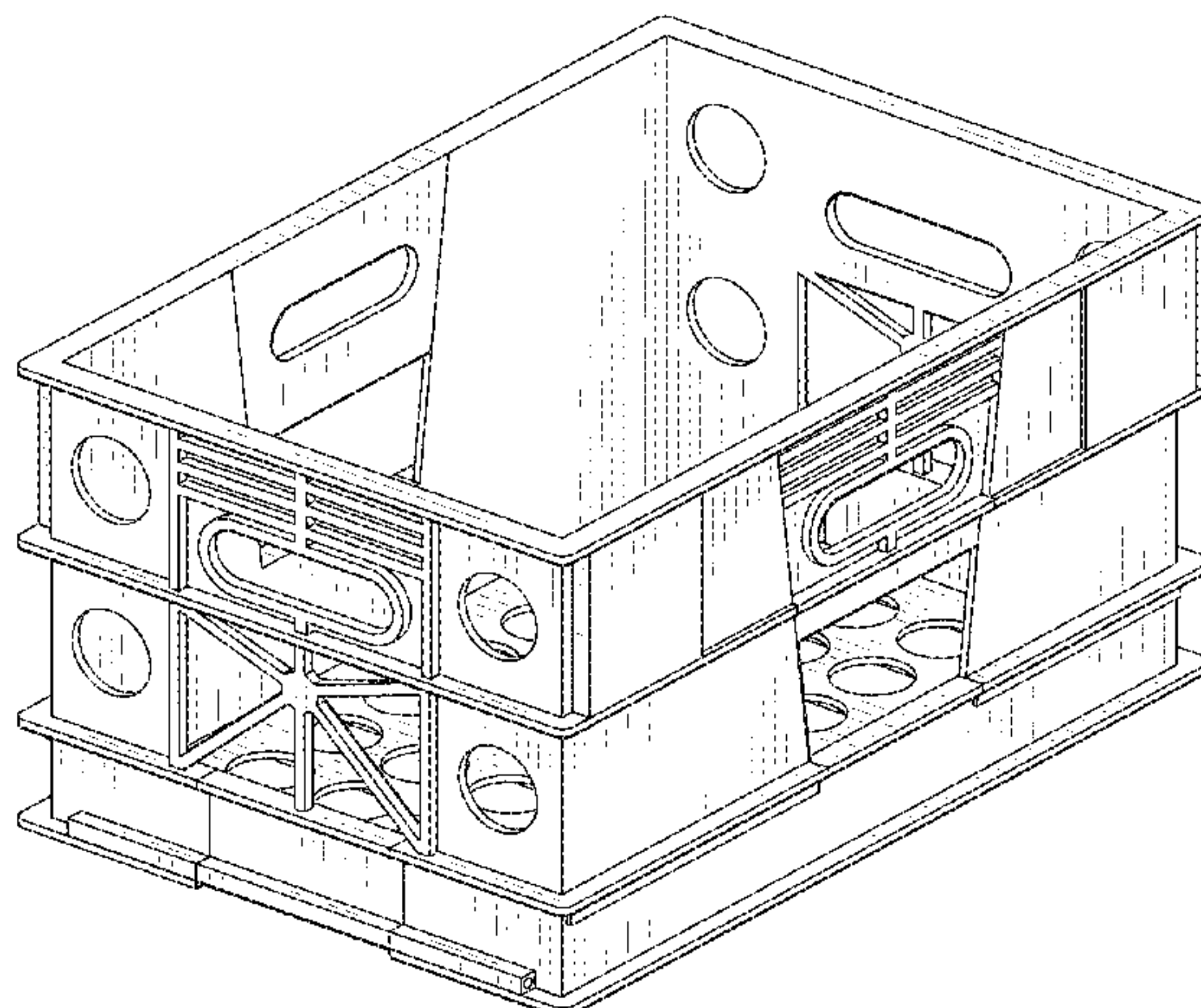
FIG. 9 shows an elevational right side view of the second container crate of FIG. 7, which is the same as an elevational left side view of the second container crate of FIG. 7;

FIG. 10 shows an elevational front view of the second container crate of FIG. 1, which is the same as an elevational rear view of the second container crate of FIG. 1;

FIG. 11 shows an elevational top view of the second container crate of FIG. 1; and,

FIG. 12 shows an elevational bottom view of the second container crate of FIG. 1.

1 Claim, 12 Drawing Sheets



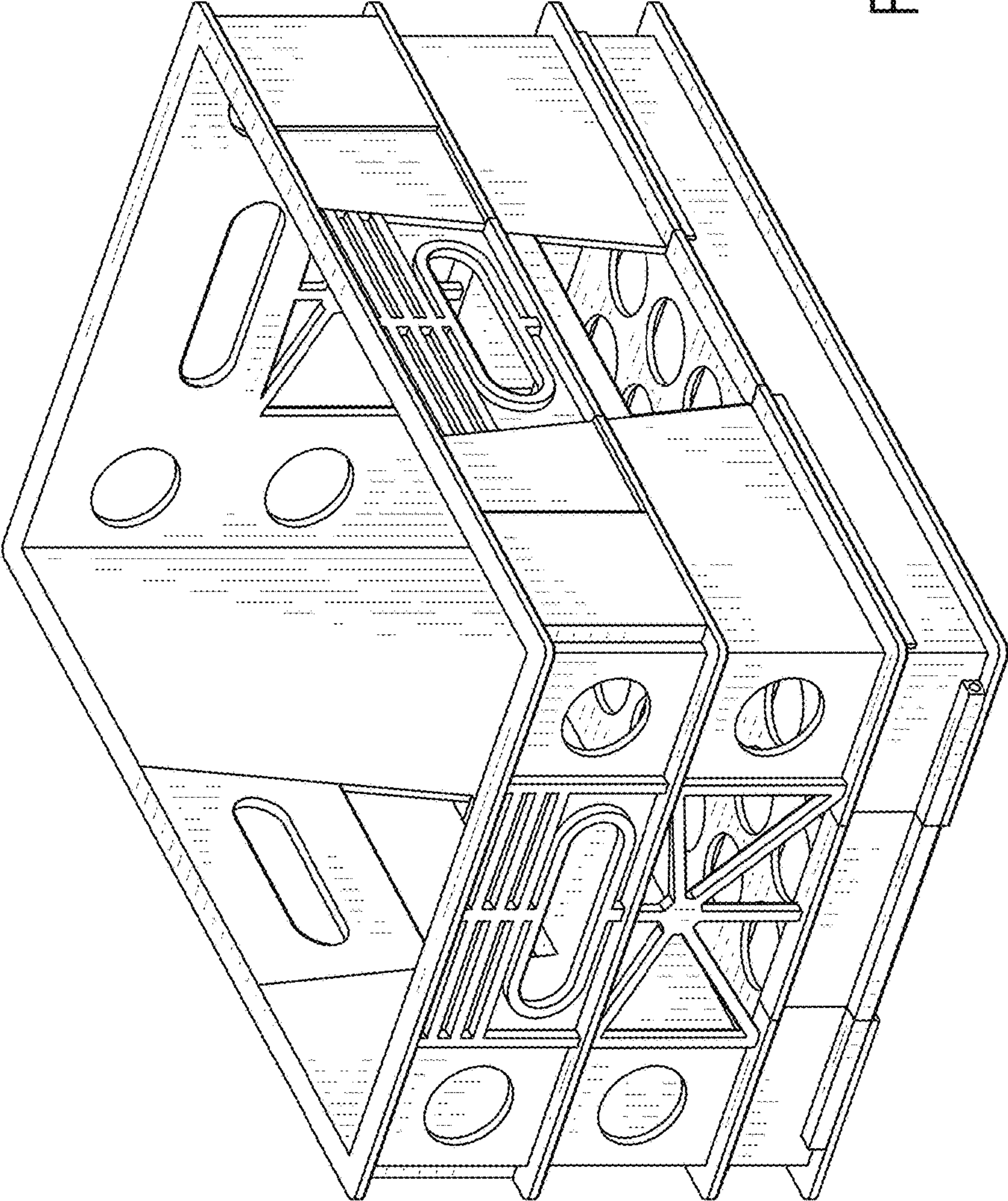


FIG. 1

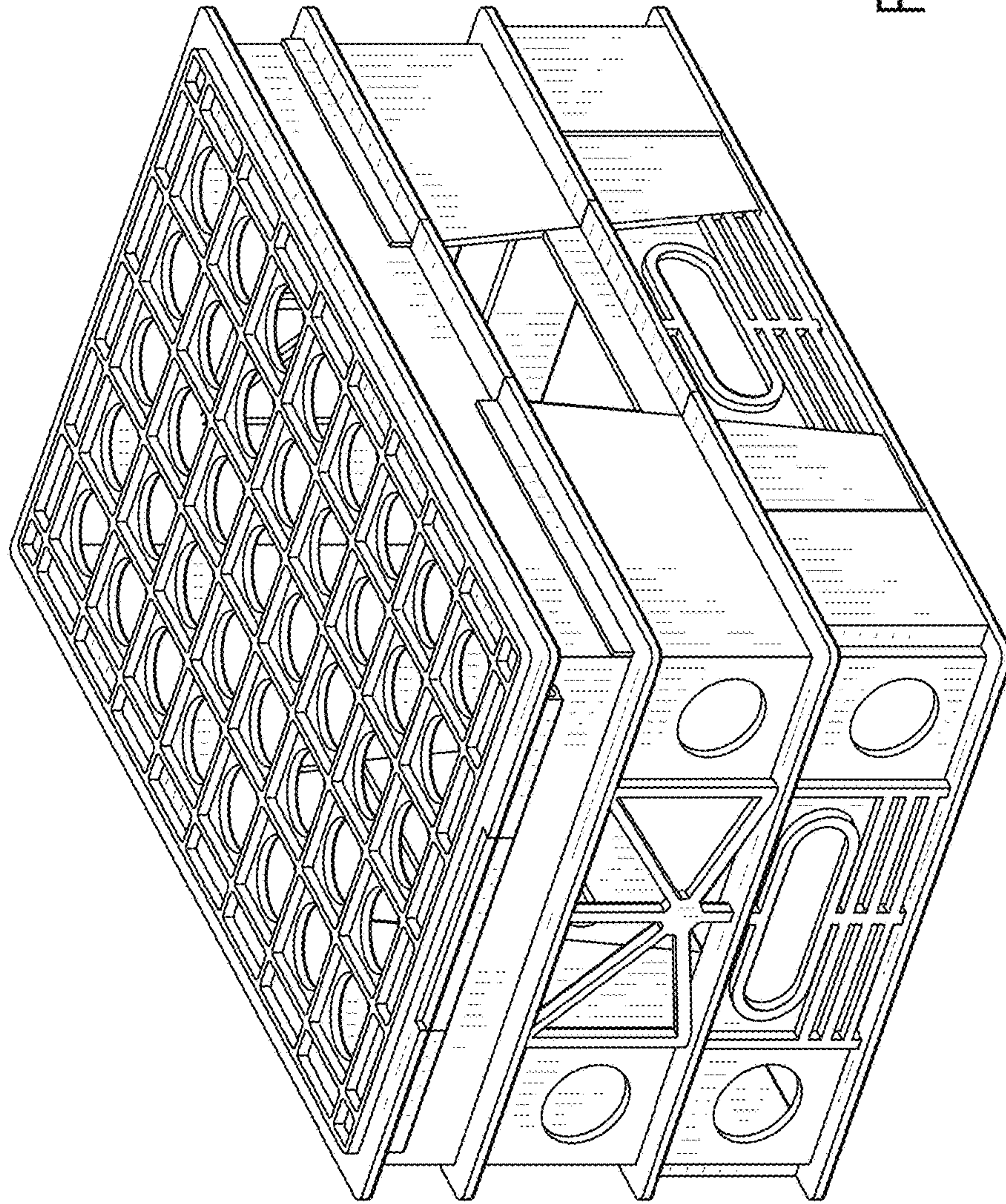


FIG. 2

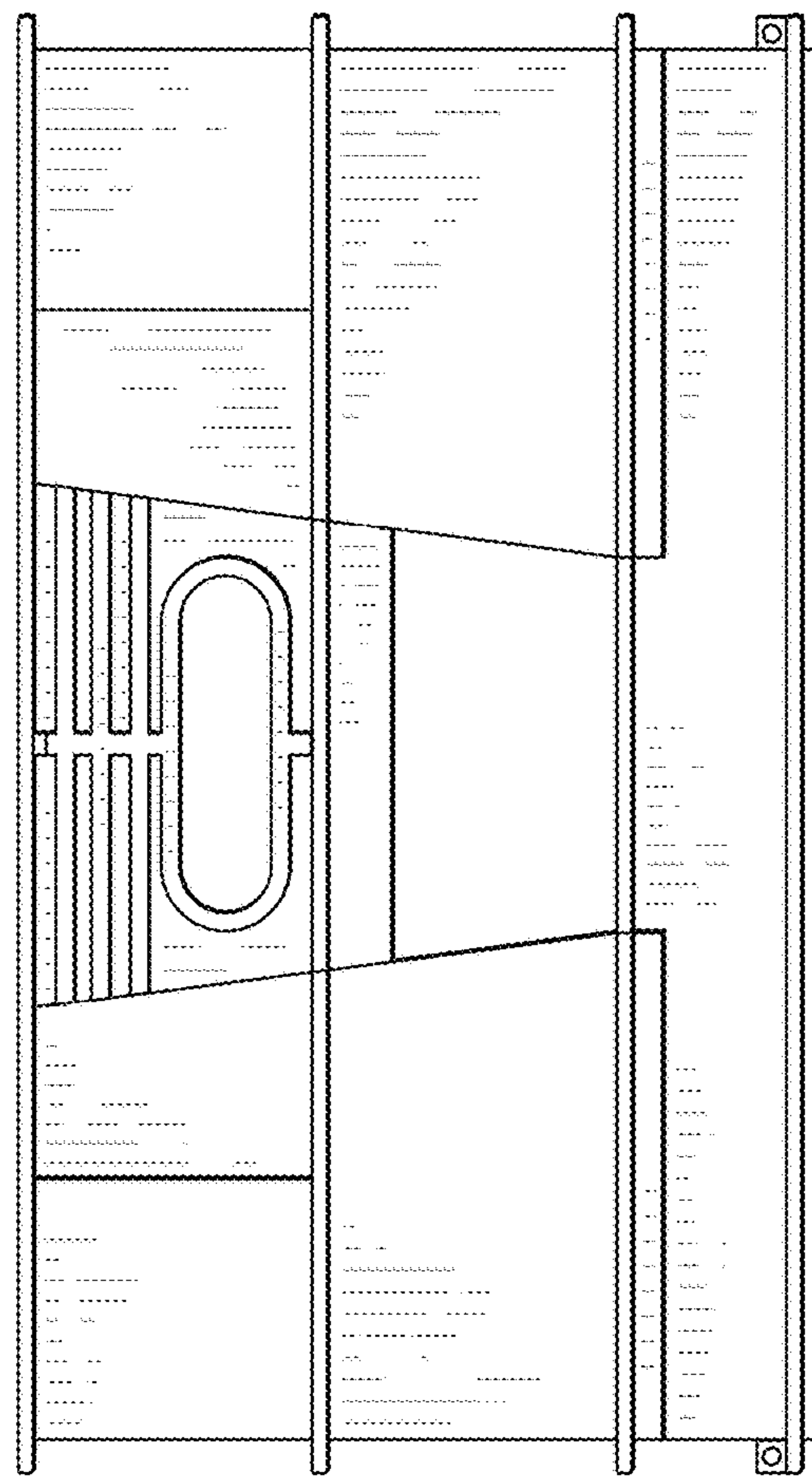


FIG. 3

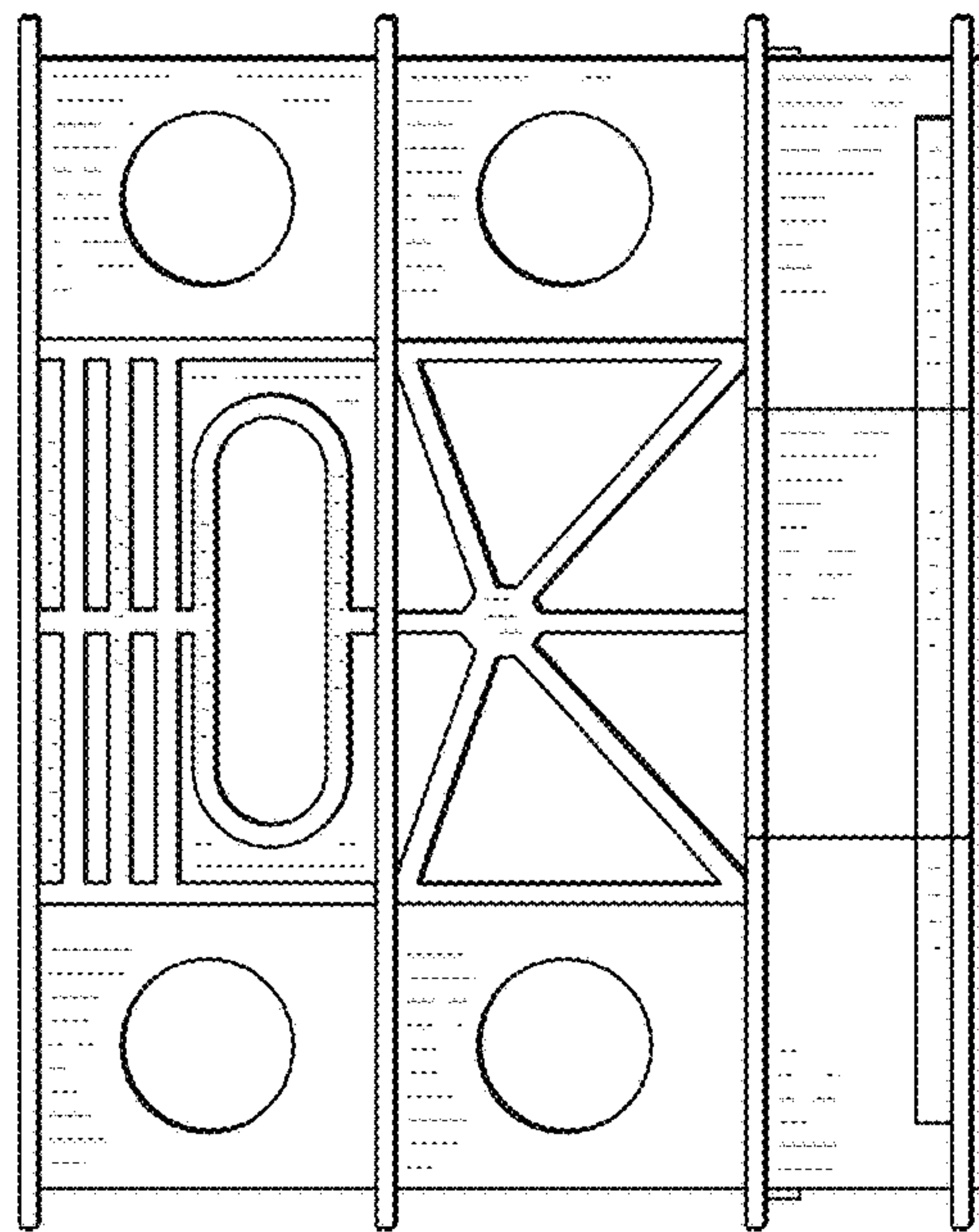


FIG. 4

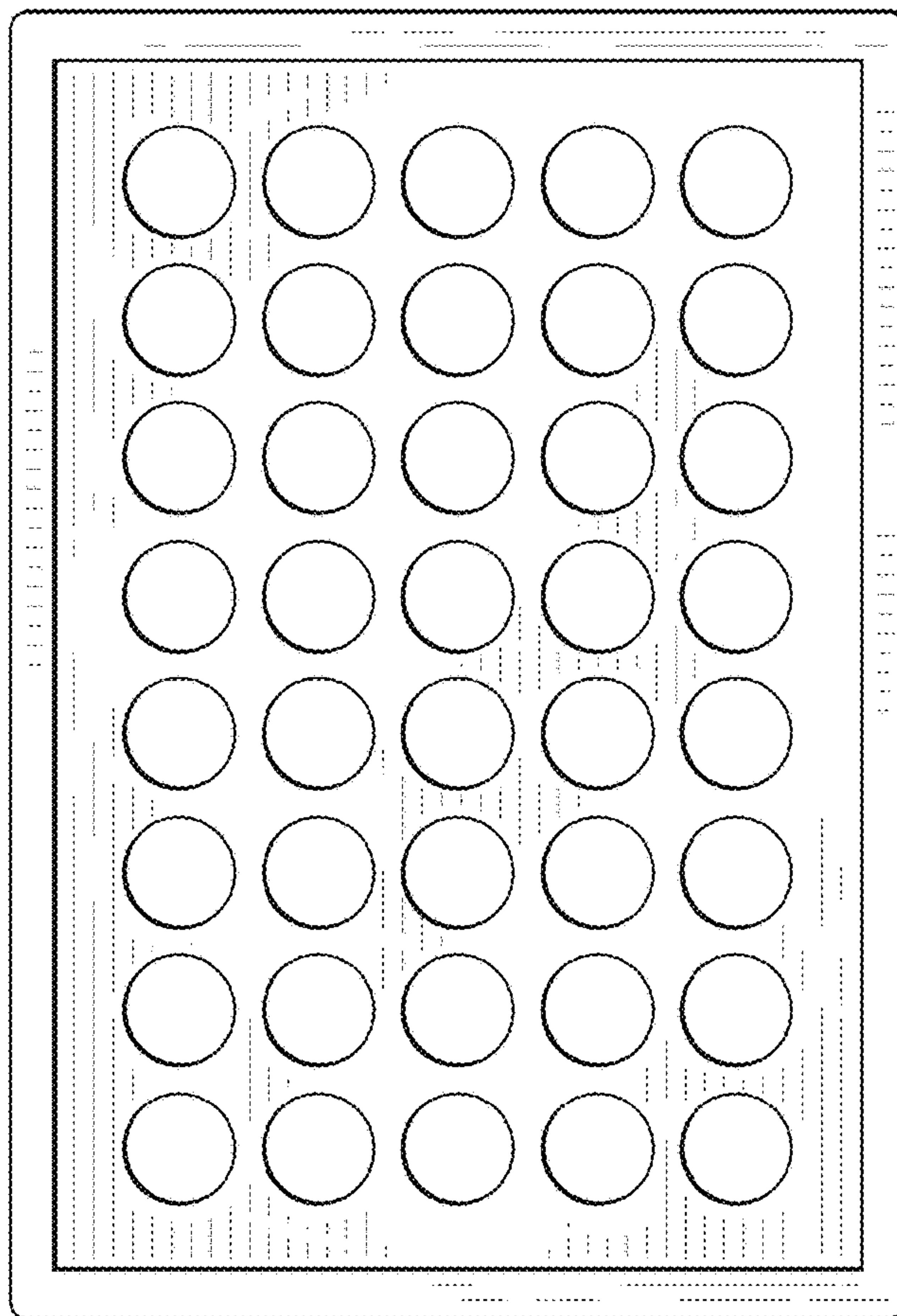


FIG. 5

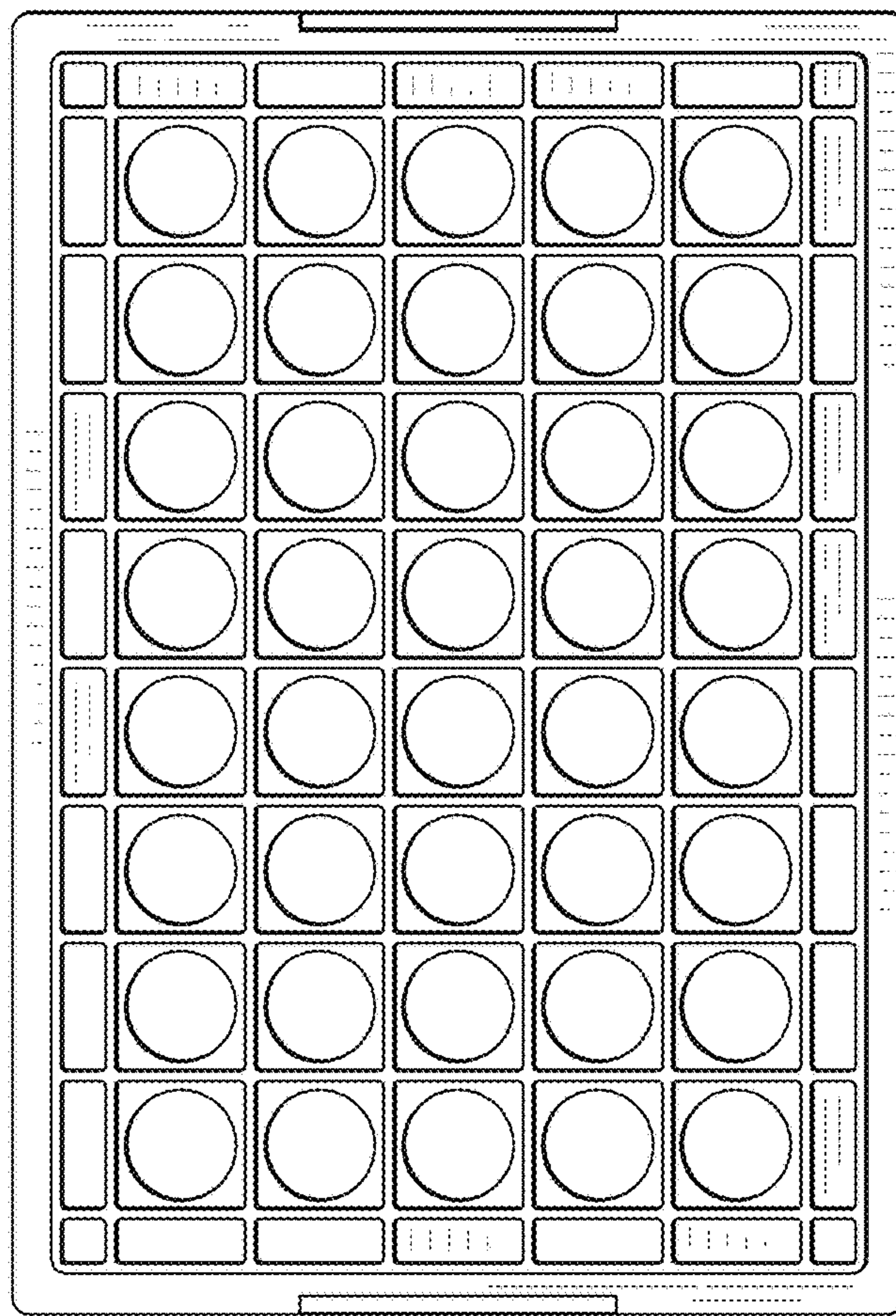


FIG. 6

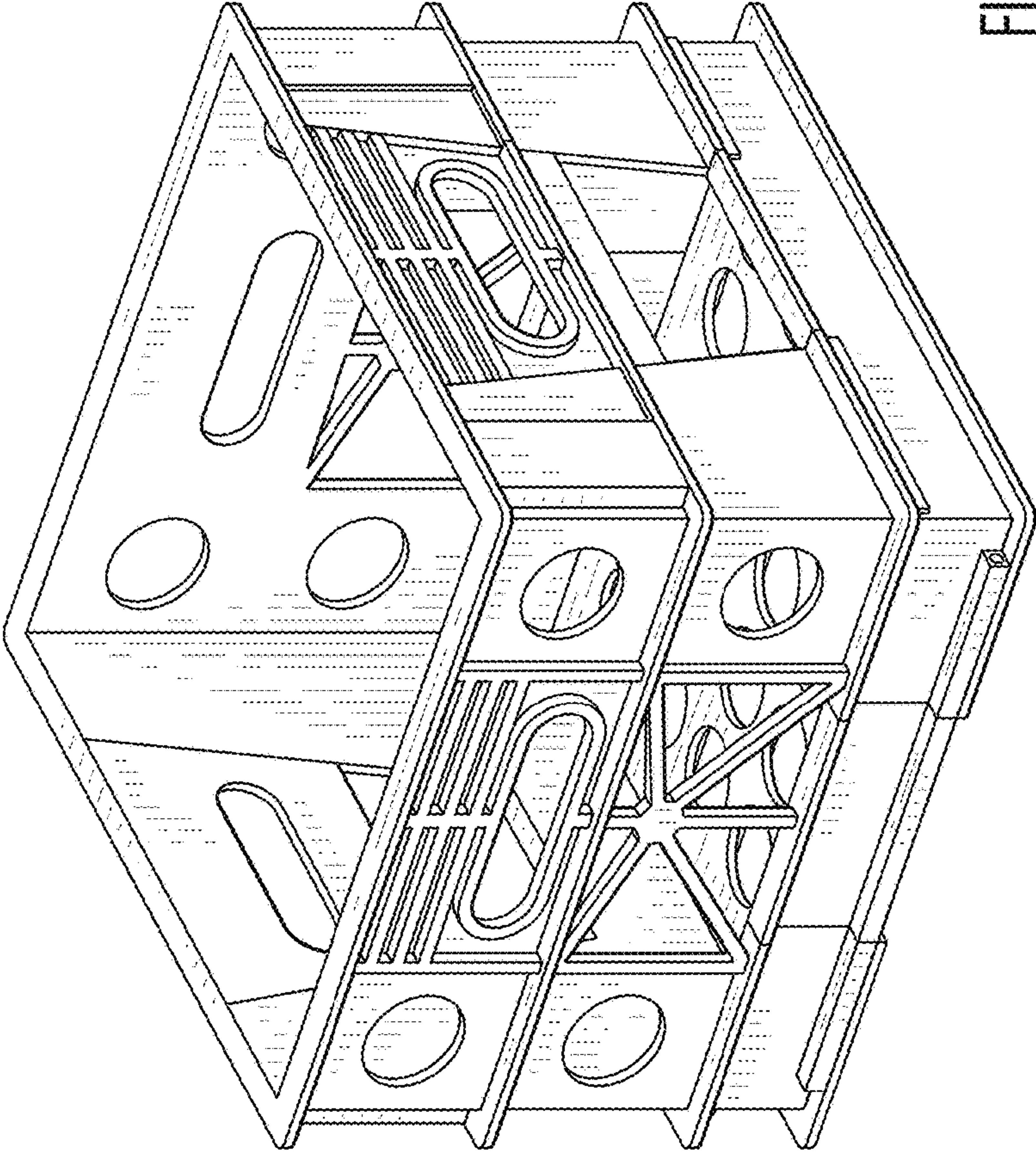


FIG. 7

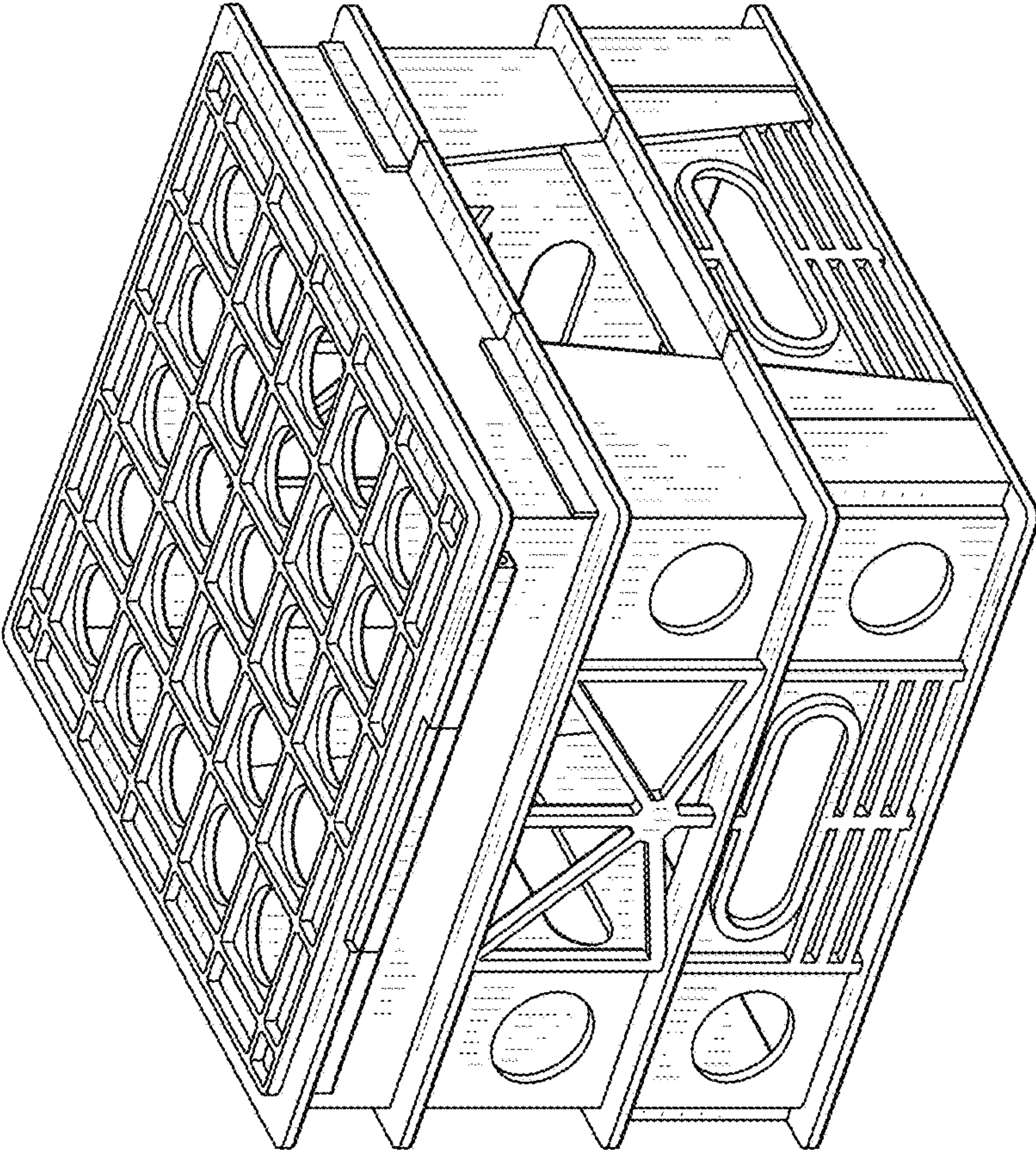


FIG. 8

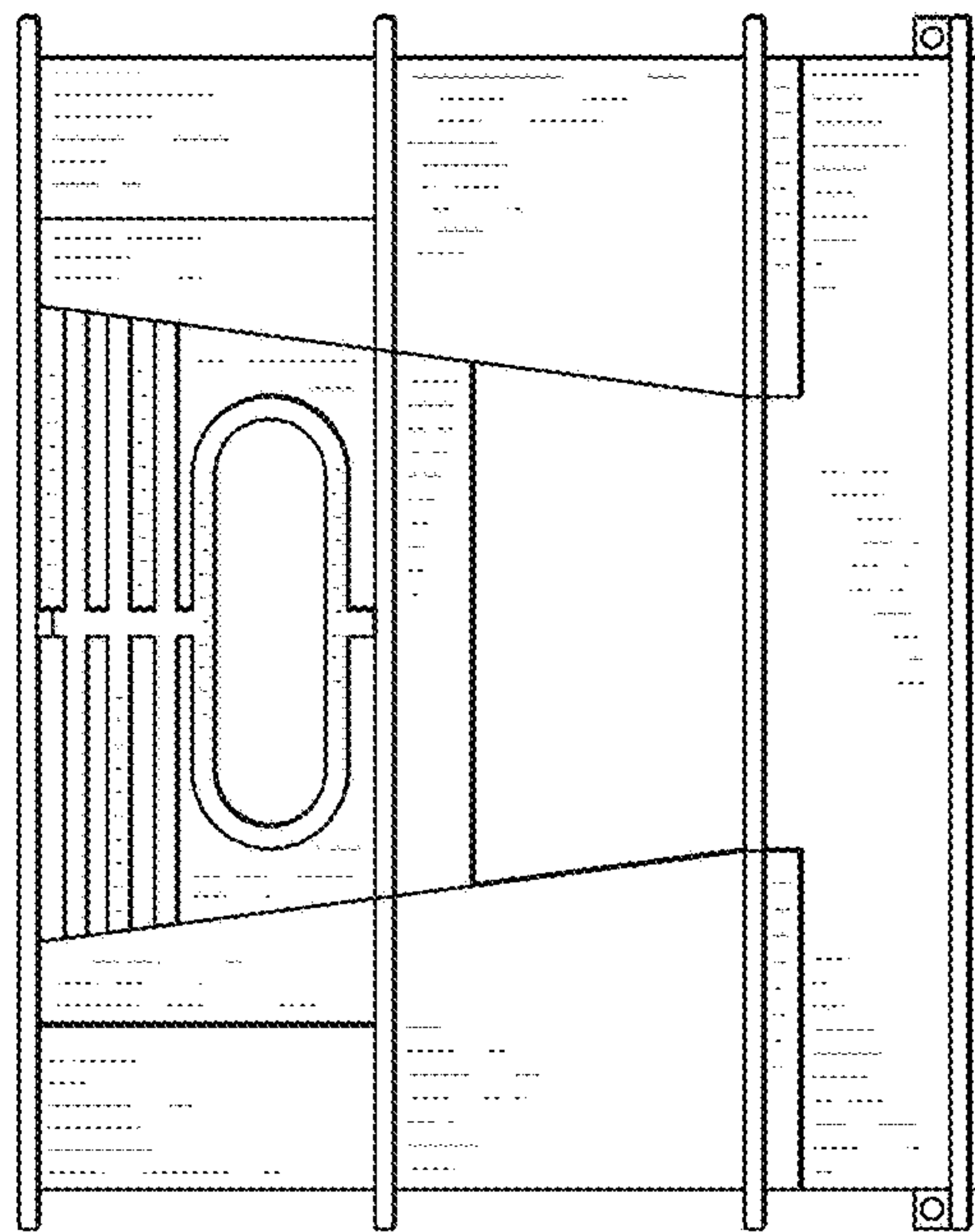


FIG. 9

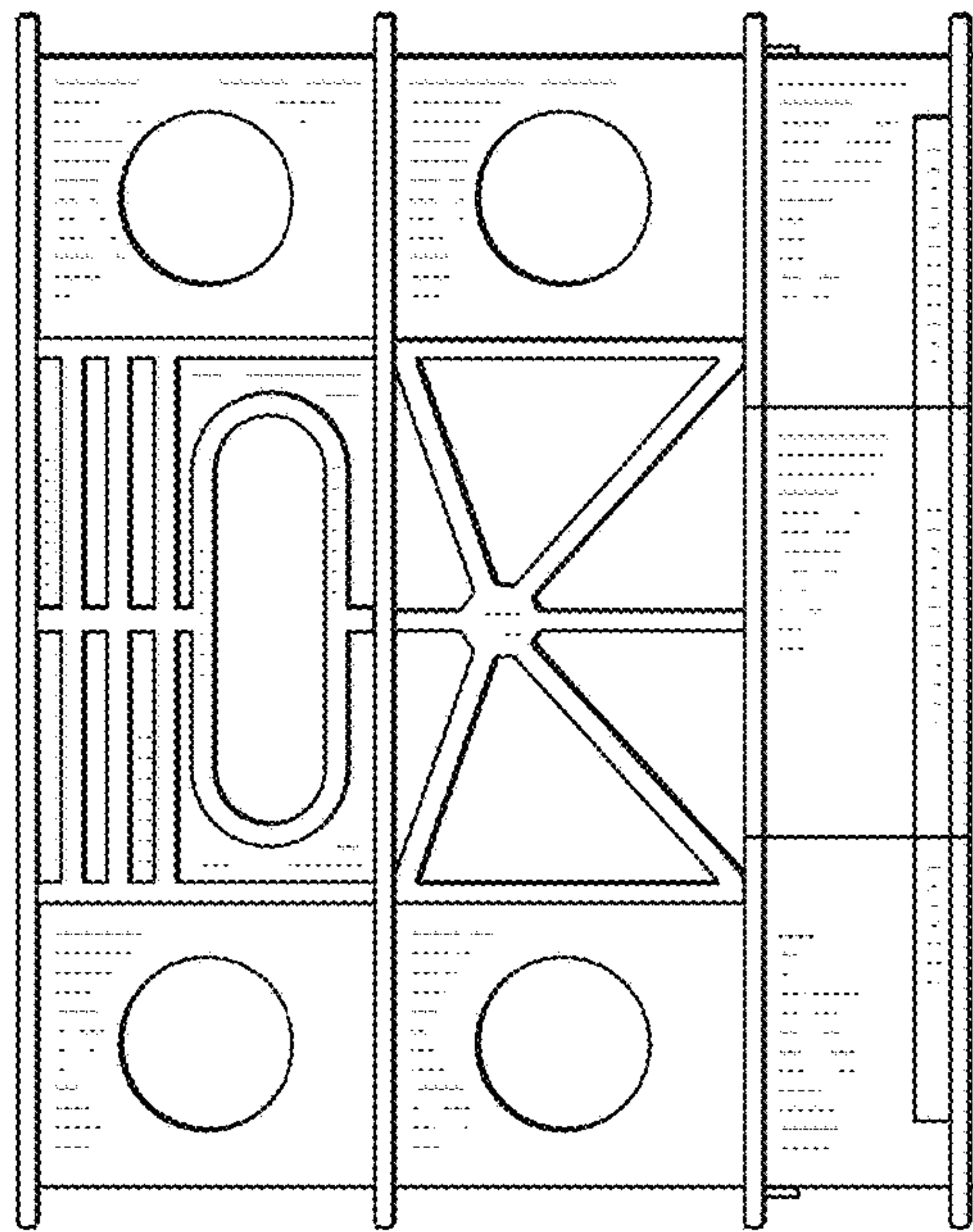


FIG. 10

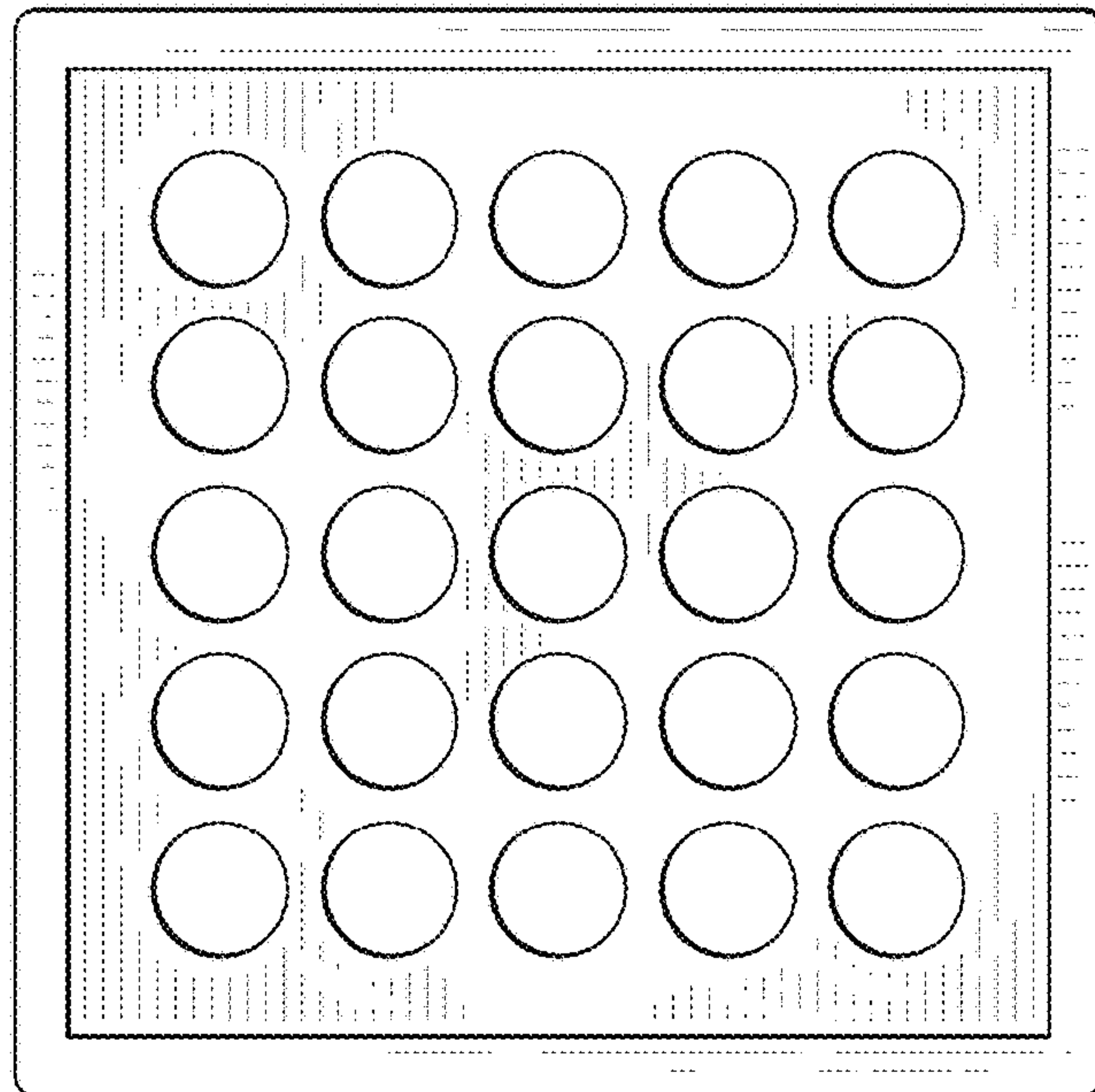


FIG. 11

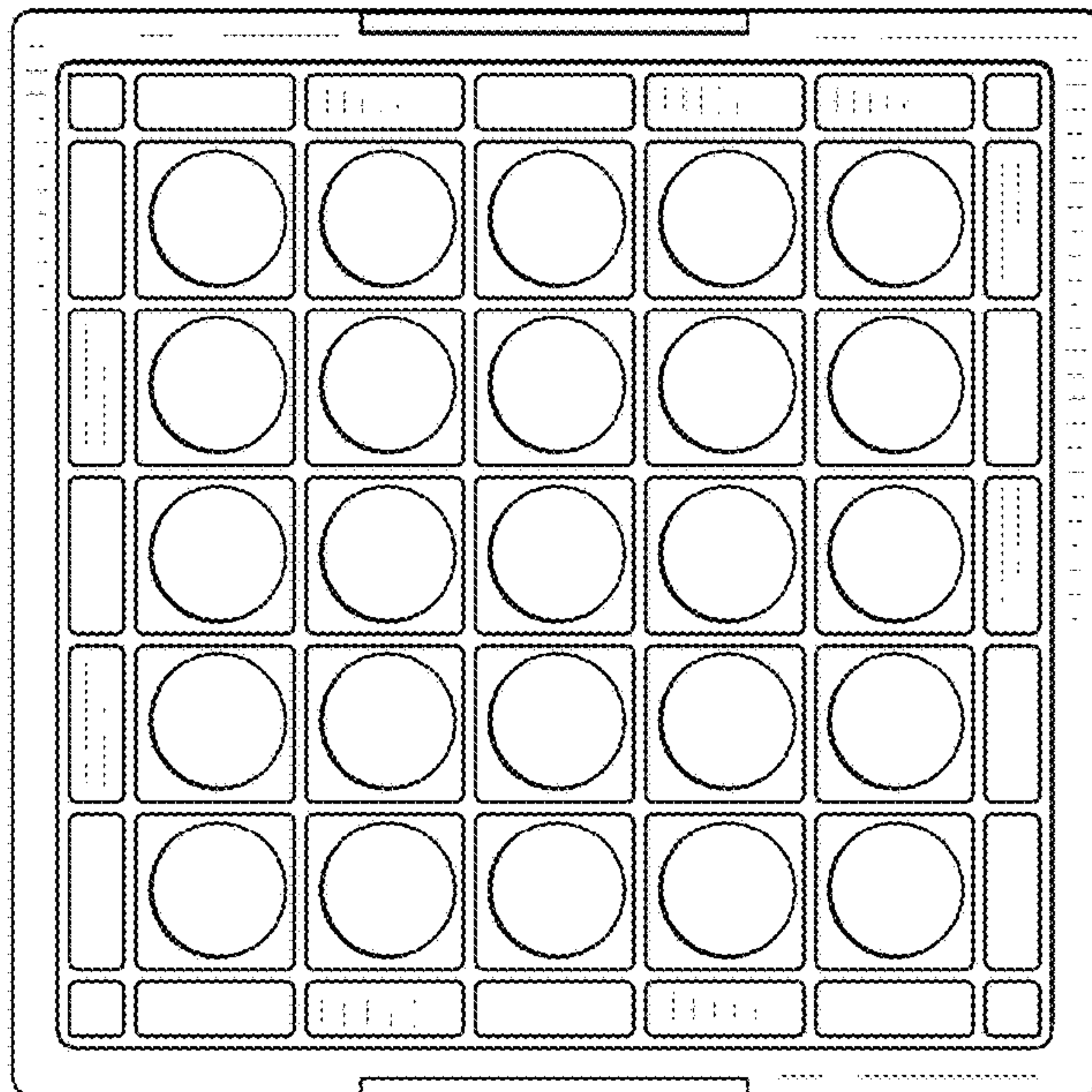


FIG. 12