



US00D834819S

(12) **United States Design Patent** (10) **Patent No.:** **US D834,819 S**
Burek et al. (45) **Date of Patent:** **** Dec. 4, 2018**

(54) **CHILD-RESISTANT STORAGE CASE**
(71) Applicant: **Edibles Engineering LLC**, Tulsa, OK (US)
(72) Inventors: **Paul Phillip Burek**, Centennial, CO (US); **William Edward Ludlow**, Tulsa, OK (US)
(73) Assignee: **Edibles Engineering LLC**, Denver, CO (US)
(**) Term: **15 Years**

6,832,686 B2 12/2004 Donegan
D527,182 S * 8/2006 Ham D3/274
D529,288 S * 10/2006 Ham D3/294
D548,969 S * 8/2007 Bramley D21/394
D565,842 S * 4/2008 Falcone D3/294
D566,395 S * 4/2008 Langer D3/294
D592,398 S * 5/2009 Roesler D3/294
7,549,541 B2 6/2009 Brozell et al.
D612,152 S * 3/2010 Roesler D3/294
D613,945 S * 4/2010 Molina D3/294
7,757,843 B2 7/2010 Katsis
D636,182 S * 4/2011 Yang D3/294
D637,813 S * 5/2011 Liang D3/294
D640,058 S * 6/2011 Molina D3/294
D666,811 S * 9/2012 Yang D3/247

(Continued)

(21) Appl. No.: **29/559,701**

(22) Filed: **Mar. 30, 2016**

(51) **LOC (11) Cl.** **03-01**

(52) **U.S. Cl.**
USPC **D3/294**

(58) **Field of Classification Search**
USPC D3/272, 273, 274, 275, 276, 281, 284,
D3/292, 294, 306; D9/414, 418,
D9/420-423, 432
CPC .. A45C 5/00; A45C 5/04; A45C 11/00; A45C
11/16

See application file for complete search history.

(56) **References Cited**

U.S. PATENT DOCUMENTS

3,749,230 A 7/1973 Foster
3,907,103 A 9/1975 Shaw
4,043,448 A 8/1977 Tanaka
4,048,050 A 9/1977 Hillman
4,364,488 A 12/1982 Anjou
4,730,731 A 3/1988 Allison
4,890,742 A 1/1990 Allison
5,080,222 A 1/1992 McNary
5,740,938 A 4/1998 Hofmann et al.
6,021,901 A 2/2000 Wolfe
D458,751 S * 6/2002 Hsieh D3/273
D487,192 S * 3/2004 Farnham D3/294

OTHER PUBLICATIONS

Cabela's, "Fly Fishing" catalog, pp. 1 and 76-79, Mar. 2016, Sidney, NE.

(Continued)

Primary Examiner — Sandra S Snapp
Assistant Examiner — Holly E Thurman
(74) *Attorney, Agent, or Firm* — Dorr, Carson & Birney PC

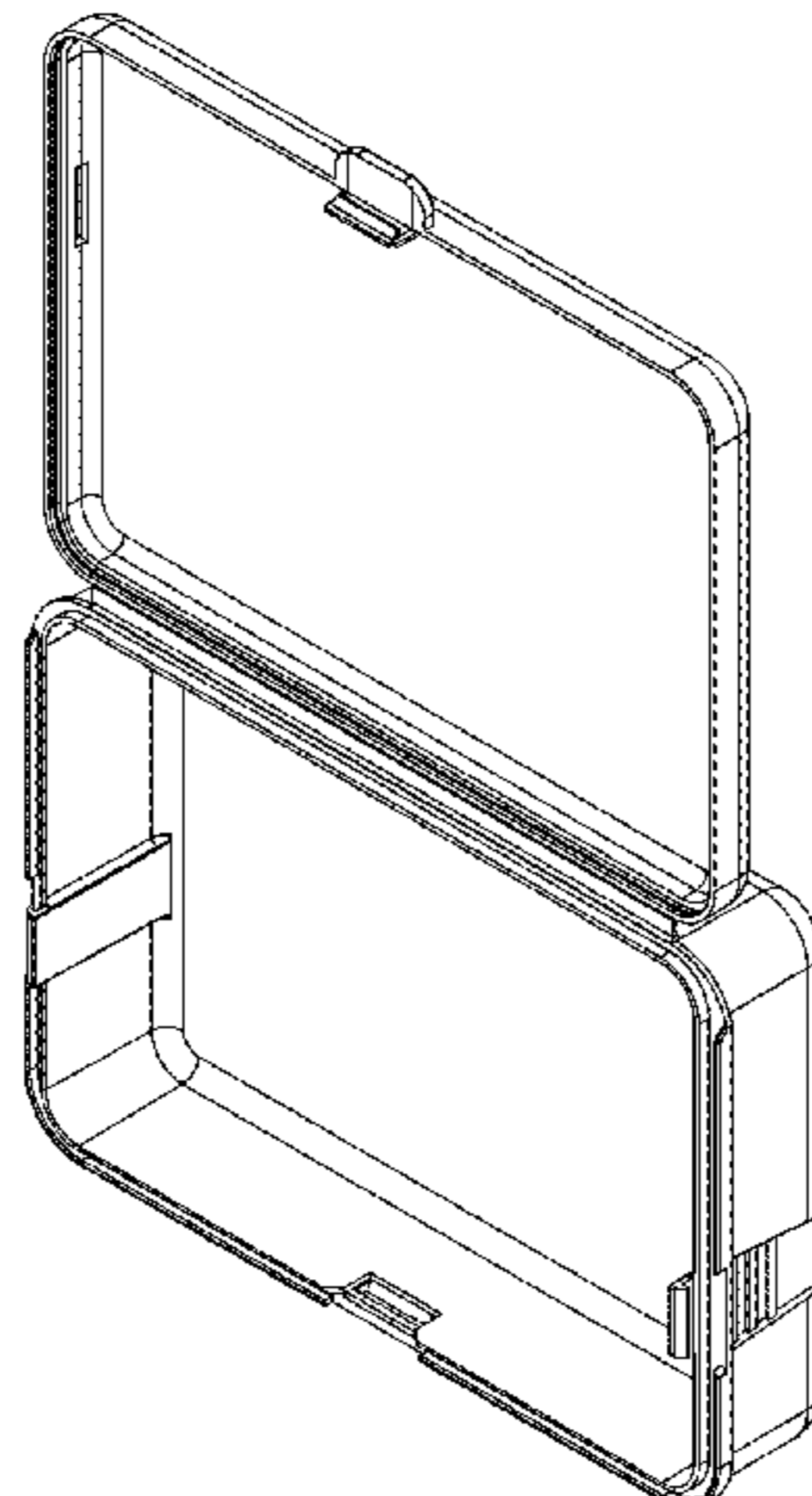
(57) **CLAIM**

The ornamental design for a child-resistant storage case, as shown and described.

DESCRIPTION

FIG. 1 is a top plan view of a child-resistant storage case showing my new design.
FIG. 2 is a front elevational view thereof.
FIG. 3 is a rear elevational view thereof.
FIG. 4 is a left side elevational view thereof, with the right side elevational view being a mirror image of FIG. 4.
FIG. 5 is a bottom plan view thereof; and,
FIG. 6 is a top perspective view thereof.

1 Claim, 3 Drawing Sheets



(56)

References Cited

U.S. PATENT DOCUMENTS

D675,434 S * 2/2013 Vernall D3/294
D679,908 S * 4/2013 Hurt D3/294
8,875,877 B2 11/2014 Cottle et al.
D725,385 S * 3/2015 Ming D3/247
RE45,787 E * 11/2015 Hurt D3/294
D759,378 S * 6/2016 West D3/294
D761,023 S * 7/2016 Tramontana D3/203.1
D772,572 S * 11/2016 Palmborg D3/201
D781,052 S * 3/2017 Blahnik D3/232
D787,183 S * 5/2017 Harrah D3/294
D798,588 S * 10/2017 Heyman D3/232
2009/0255842 A1 10/2009 Brozell et al.

OTHER PUBLICATIONS

Photo of a prior art fishing tackle case purchased from Bass Pro Shop (2016).

* cited by examiner

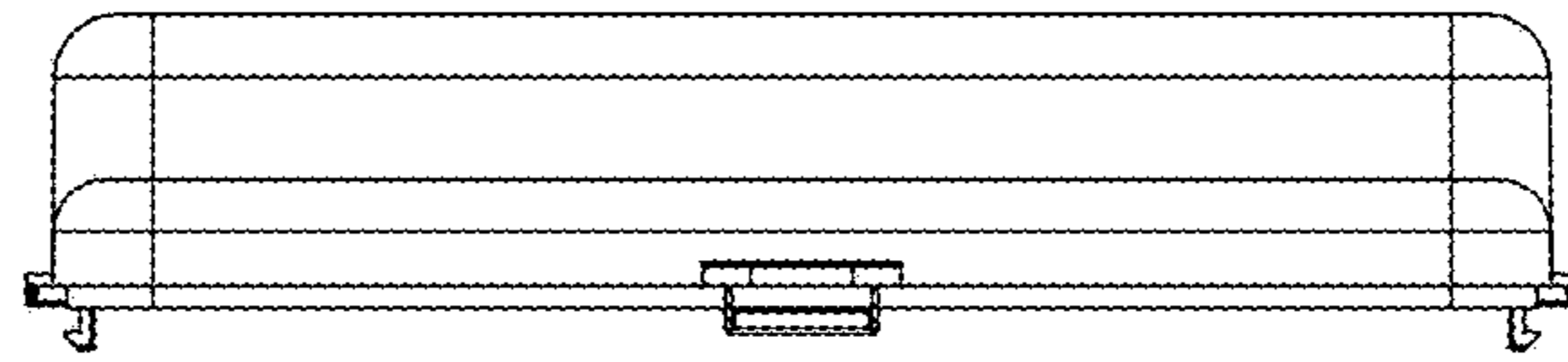


Fig. 3

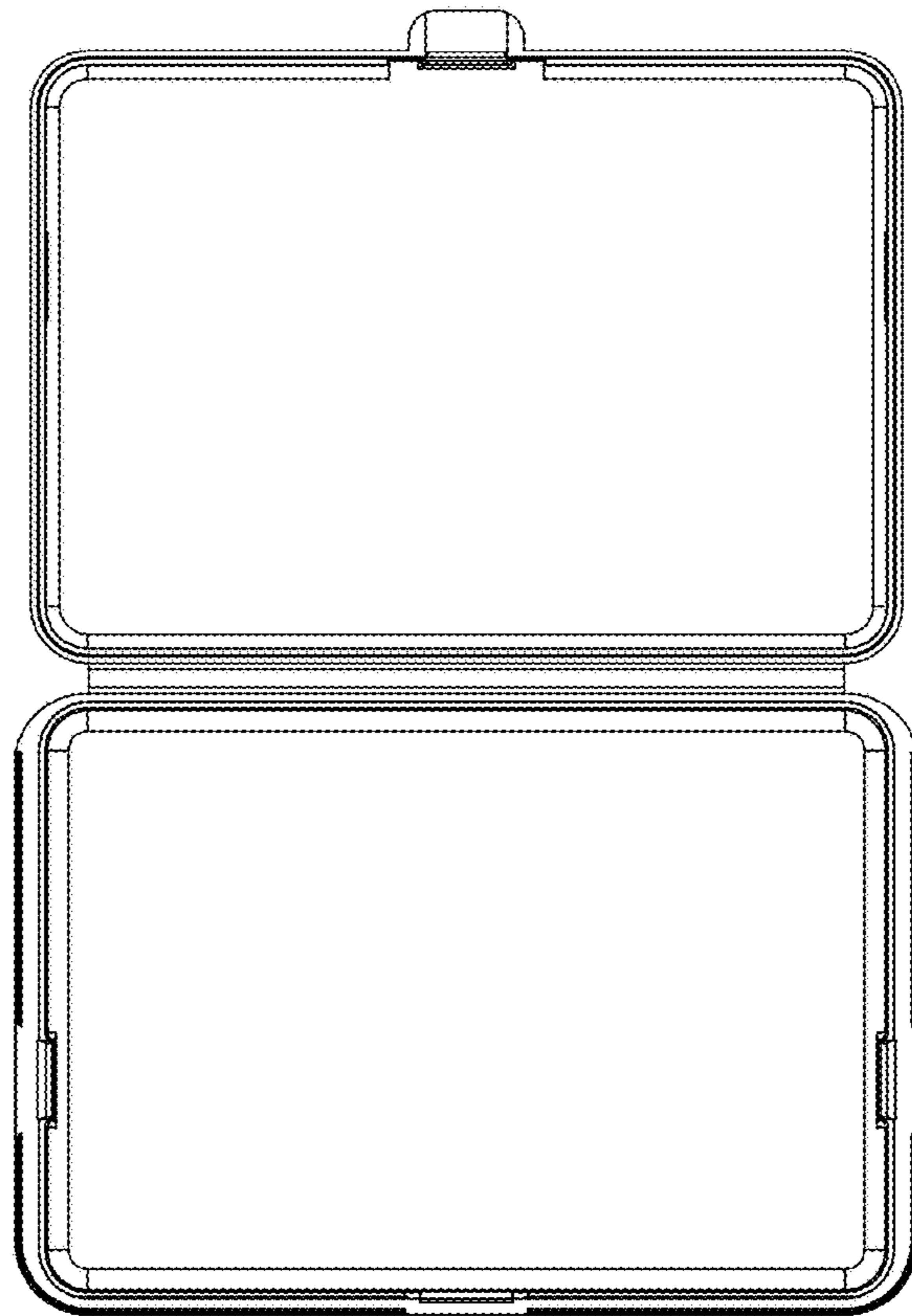


Fig. 1

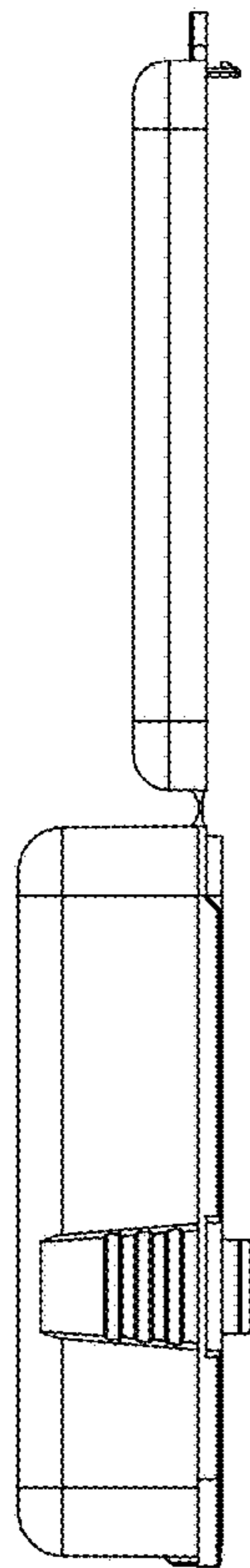


Fig. 4

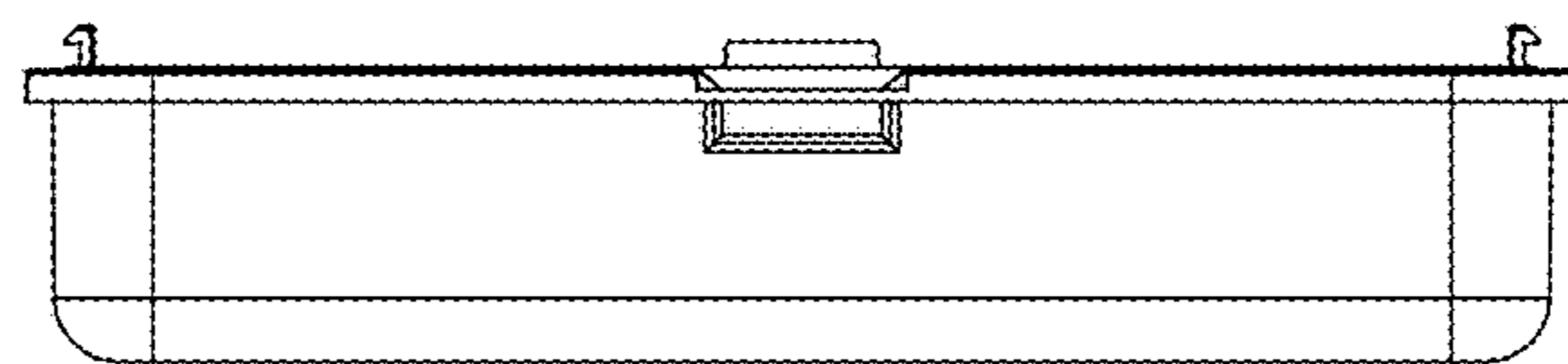


Fig. 2

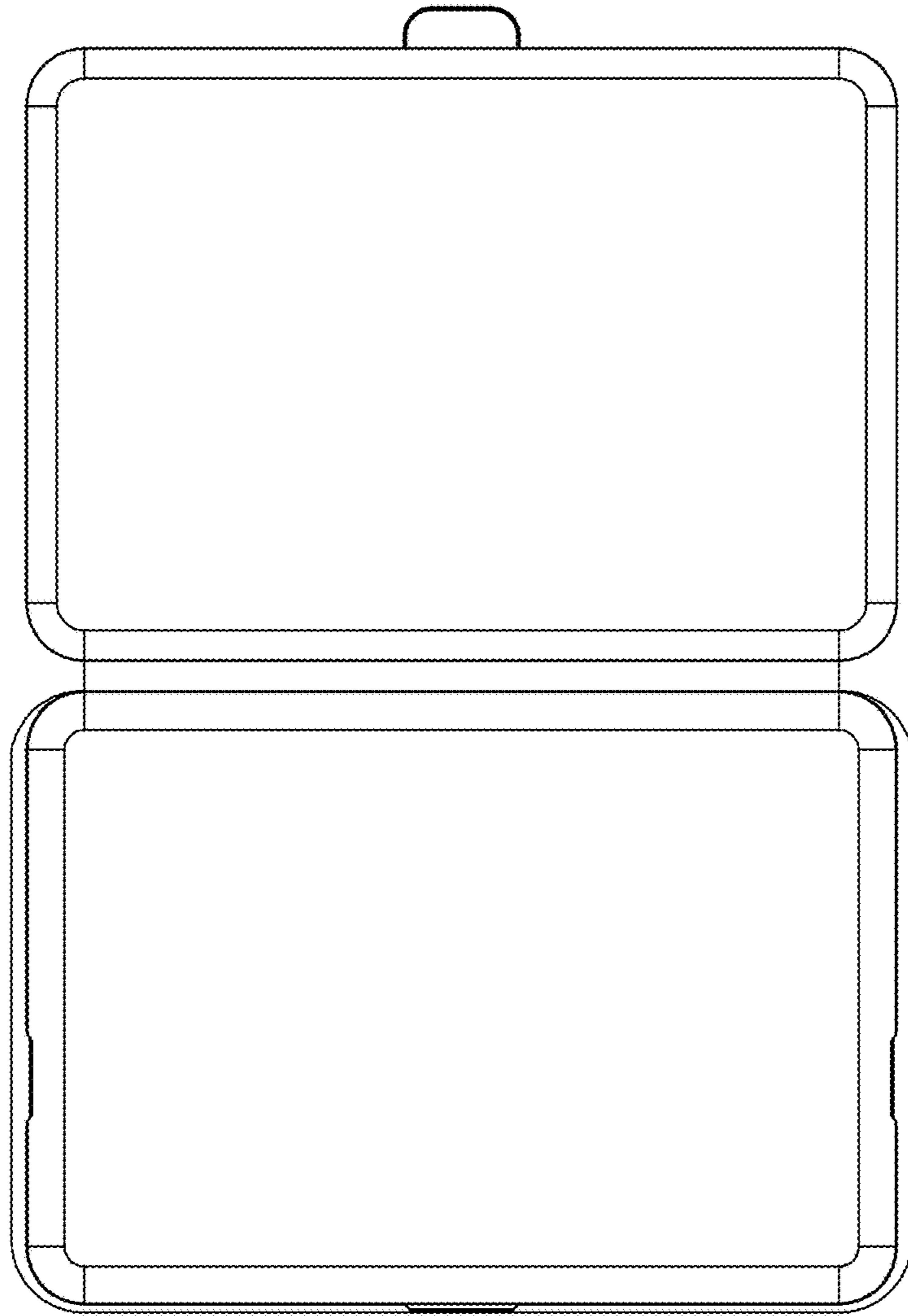


Fig. 5

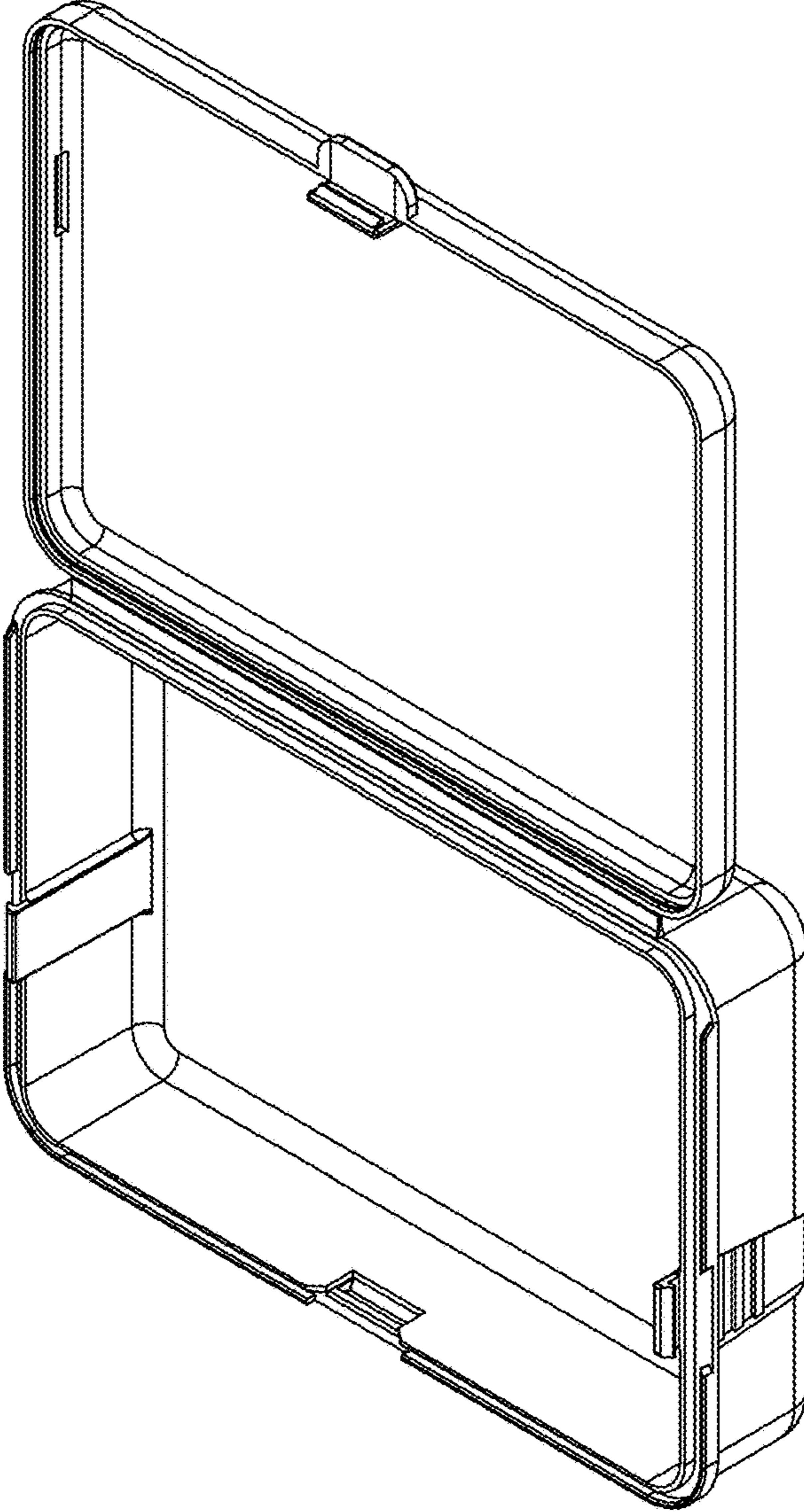


Fig. 6