



US00D834817S

(12) **United States Design Patent** (10) **Patent No.:** **US D834,817 S**  
**Hoppe et al.** (45) **Date of Patent:** **\*\* Dec. 4, 2018**

(54) **BAG**  
(71) Applicant: **Milwaukee Electric Tool Corporation,**  
Brookfield, WI (US)

3,177,023 A 4/1965 Nuckols  
3,259,411 A 7/1966 Griffiths  
3,394,955 A 7/1968 Martin  
(Continued)

(72) Inventors: **Christopher S. Hoppe,** Milwaukee, WI (US); **Steven W. Hyma,** Milwaukee, WI (US); **Grant T. Squiers,** Cudahy, WI (US); **Michael Stearns,** Milwaukee, WI (US)

FOREIGN PATENT DOCUMENTS

FR 2657915 8/1991

(73) Assignee: **MILWAUKEE ELECTRIC TOOL CORPORATION,** Brookfield, WI (US)

Homedepot.com. "Milwaukee Jobsite Tech Bag." First reviewed May 18, 2016. Retrieved Dec. 9, 2016. (<http://www.homedepot.com/p/MilwaukeeJobsiteTechbag48228210/207005269>).\*

(\*\*) Term: **15 Years**

(Continued)

(21) Appl. No.: **29/533,521**

(22) Filed: **Jul. 17, 2015**

*Primary Examiner* — Jennifer Rivard  
*Assistant Examiner* — Jerry Shiuan-Hua Hsu  
(74) *Attorney, Agent, or Firm* — Michael Best & Friedrich LLP

(51) **LOC (11) Cl.** ..... **03-01**

(52) **U.S. Cl.**  
USPC ..... **D3/263; D3/905**

(58) **Field of Classification Search**

USPC ..... D3/201, 203.1, 203.2, 203.6, 203.7, D3/203.8, 202, 204, 205, 206, 247, 272, D3/273, 276, 281, 282, 292, 294, 315, D3/901, 903, 904, 905, 244, 284, 317, D3/283, 287, 263, 285, 233; D9/600, D9/643, 644, 645, 651, 655, 657, 420, D9/423, 424, 425, 430, 431, 432, 443, D9/529, 428, 429; D7/605  
CPC .. B65D 25/04; A47G 23/0208; A47G 23/041; B25H 3/026; A42B 1/006; D06F 95/004; D06F 95/006; A45C 3/00; A45C 3/001; A45C 7/0022; A45C 7/0031; A45C 7/0072; A45C 7/0077; A45C 5/14; A45C 13/02

See application file for complete search history.

(56) **References Cited**

U.S. PATENT DOCUMENTS

2,125,856 A 8/1938 De Witt  
2,145,143 A 1/1939 Trecartin

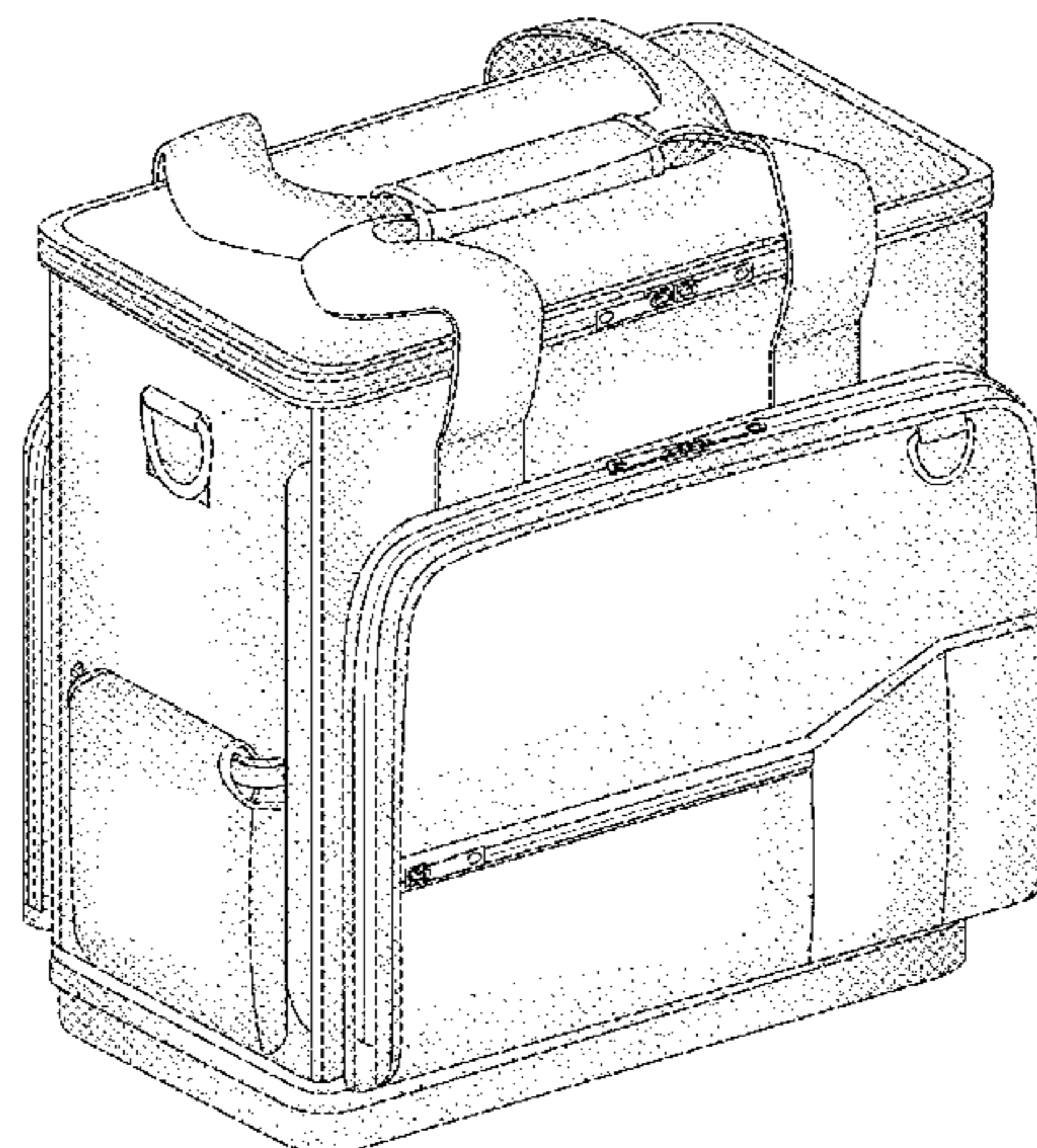
(57) **CLAIM**

We claim the ornamental design for a bag, as shown and described.

**DESCRIPTION**

FIG. 1 is a front perspective view of a bag.  
FIG. 2 is a front view of the bag shown in FIG. 1.  
FIG. 3 is a rear view of the bag shown in FIG. 1.  
FIG. 4 is a right side view of the bag shown in FIG. 1.  
FIG. 5 is a left side view of the bag shown in FIG. 1.  
FIG. 6 is a top view of the bag shown in FIG. 1.  
FIG. 7 is a bottom view of the bag shown in FIG. 1.  
FIG. 8 is a front perspective view of the bag shown in FIG. 1 with the front pocket open.  
FIG. 9 is a top view of the bag as shown in FIG. 8; and, FIG. 10 is a front view of the bag as shown in FIG. 8. Portions of the bag shown in broken lines are included for the purpose of illustrating environment and form no part of the claimed design.

**1 Claim, 10 Drawing Sheets**



(56)

References Cited

U.S. PATENT DOCUMENTS

3,817,419	A	6/1974	Moller et al.		
3,924,844	A	12/1975	Bachtel, Jr.		
4,105,112	A	8/1978	Graf		
D259,154	S	5/1981	White, Jr. et al.		
4,278,187	A	7/1981	Luedtke		
D272,203	S	1/1984	Di Bartolo		
D281,647	S	* 12/1985	Bomes .....	D3/287	
4,890,414	A	1/1990	Bridenthal et al.		
D309,981	S	8/1990	French et al.		
5,042,193	A	8/1991	Steiner		
5,165,148	A	11/1992	Fleischer et al.		
D333,215	S	2/1993	Brown		
D333,487	S	2/1993	Papp		
5,295,742	A	3/1994	Knutson		
D347,731	S	6/1994	Hayakawa et al.		
5,379,887	A	1/1995	Conley, Jr.		
5,386,907	A	2/1995	Kahl et al.		
5,429,287	A	7/1995	Frano		
5,470,000	A	11/1995	Muñoz		
D368,159	S	3/1996	Calmeise et al.		
5,501,379	A	3/1996	Muñoz		
5,518,139	A	5/1996	Trower et al.		
D370,619	S	6/1996	Hall et al.		
D371,052	S	* 6/1996	Melk .....	D7/607	
5,562,208	A	10/1996	Hasler et al.		
D375,834	S	11/1996	Meisner et al.		
5,580,137	A	12/1996	Doan et al.		
D377,118	S	1/1997	Carbone et al.		
5,595,228	A	1/1997	Meisner et al.		
D378,247	S	3/1997	Meisner et al.		
5,620,212	A	4/1997	Bourne et al.		
5,660,276	A	8/1997	Winnard		
5,672,145	A	9/1997	Pollington et al.		
D386,903	S	12/1997	Curry et al.		
D390,358	S	2/1998	Calmeise		
5,732,987	A	3/1998	Wright et al.		
5,755,311	A	5/1998	Younessian et al.		
D402,106	S	12/1998	Buckingham et al.		
D405,956	S	2/1999	Meisner et al.		
5,915,553	A	6/1999	Brown et al.		
5,915,554	A	6/1999	Hung		
5,924,533	A	7/1999	Cnockaert et al.		
5,967,270	A	* 10/1999	Shyr .....	A45C 5/14 190/109	
6,006,906	A	12/1999	Winnard		
D418,977	S	1/2000	Streich		
6,015,064	A	1/2000	Liu		
6,038,747	A	3/2000	Hamilton et al.		
D423,779	S	* 5/2000	Goatcher .....	D3/283	
6,073,766	A	6/2000	Winnard		
6,081,695	A	6/2000	Wallace et al.		
6,082,538	A	7/2000	Snider et al.		
6,167,680	B1	1/2001	Horn		
D437,684	S	2/2001	Streich et al.		
6,203,075	B1	3/2001	Wells, Jr. et al.		
6,213,296	B1	4/2001	Streich et al.		
6,230,887	B1	5/2001	Snider		
6,234,677	B1	* 5/2001	Mogil .....	A45C 7/0077 206/545	
6,244,485	B1	6/2001	Holland et al.		
6,244,486	B1	6/2001	Holland et al.		
D447,340	S	9/2001	Snider		
D447,630	S	9/2001	Snider		
D448,162	S	9/2001	Snider		
D449,442	S	10/2001	Snider		
D449,738	S	10/2001	Snider et al.		
D451,275	S	12/2001	Snider et al.		
D452,071	S	12/2001	Snider		
6,343,708	B1	2/2002	Riso		
6,343,815	B1	2/2002	Poe		
D455,263	S	4/2002	Schoen et al.		
6,371,320	B2	4/2002	Sagol		
6,405,864	B1	6/2002	Streich et al.		
6,415,924	B1	7/2002	Lee		
D465,923	S	11/2002	Pangerc et al.		
6,478,463	B2	11/2002	Snider		
D467,070	S	12/2002	Snider et al.		
6,502,882	B2	1/2003	Snider et al.		
D470,659	S	2/2003	Story et al.		
D471,360	S	3/2003	Huang		
6,527,309	B1	3/2003	Gaydos et al.		
6,533,138	B2	3/2003	Chwen-Ru		
D472,379	S	* 4/2003	Hillman .....	D3/263	
D472,774	S	4/2003	Pelstring et al.		
6,561,402	B2	5/2003	Holland et al.		
D476,480	S	* 7/2003	Hillman .....	D3/263	
6,614,337	B1	9/2003	Winnard		
6,622,856	B2	9/2003	Gallo et al.		
D480,867	S	10/2003	Snider et al.		
D482,528	S	* 11/2003	Fair .....	D3/263	
D482,842	S	* 12/2003	Fair .....	D3/263	
6,675,965	B2	1/2004	Holland et al.		
6,675,967	B2	1/2004	Huang		
6,695,142	B2	2/2004	Chen et al.		
6,698,609	B2	3/2004	Pangerc et al.		
6,722,524	B1	4/2004	Huang et al.		
6,755,302	B1	6/2004	Streich et al.		
6,755,448	B2	6/2004	Jackson et al.		
6,789,670	B2	9/2004	Cooper et al.		
6,860,059	B1	3/2005	Hoover		
D505,548	S	5/2005	Yang		
6,915,902	B2	7/2005	Brouard		
D509,656	S	9/2005	Pangerc et al.		
6,955,381	B2	10/2005	Parker et al.		
6,978,890	B2	12/2005	Pangerc et al.		
D514,317	S	* 2/2006	Conforti .....	D3/285	
D516,310	S	3/2006	Brunson et al.		
D516,808	S	3/2006	Brunson et al.		
D516,812	S	3/2006	Pangerc et al.		
7,008,031	B2	3/2006	Doerflinger et al.		
7,021,637	B2	4/2006	Snider et al.		
D520,746	S	5/2006	Meyer et al.		
7,048,133	B2	5/2006	Pangerc et al.		
7,108,131	B2	9/2006	Dreher et al.		
7,121,407	B2	10/2006	Hurt et al.		
7,158,376	B2	1/2007	Richardson et al.		
7,225,923	B2	6/2007	Hallee et al.		
7,228,983	B2	6/2007	Pangerc et al.		
7,237,673	B2	7/2007	Wikle et al.		
7,237,688	B2	7/2007	Pangerc et al.		
7,246,704	B2	7/2007	Brunson et al.		
7,316,309	B2	1/2008	Streich et al.		
7,322,470	B2	1/2008	Brunson		
7,326,428	B2	2/2008	Weir		
7,334,680	B2	2/2008	Cunningham et al.		
D563,669	S	3/2008	Bosak et al.		
7,357,250	B2	4/2008	Hagemann et al.		
7,357,268	B2	4/2008	Yang		
7,367,451	B2	5/2008	Pendergraph et al.		
7,370,891	B1	5/2008	Schmitt et al.		
D572,479	S	7/2008	Buck et al.		
D572,480	S	7/2008	Buck et al.		
7,401,698	B2	7/2008	Dost et al.		
7,401,700	B2	7/2008	Dost et al.		
7,418,846	B2	9/2008	James et al.		
D588,811	S	3/2009	Wenchel et al.		
D589,703	S	4/2009	Wenchel et al.		
D591,045	S	* 4/2009	Chu .....	D3/283	
7,540,364	B2	6/2009	Sanderson		
7,552,560	B2	6/2009	Hoover		
7,552,950	B2	6/2009	Scheffy et al.		
D599,112	S	9/2009	Wenchel et al.		
D600,015	S	9/2009	Wenchel et al.		
D600,912	S	9/2009	Brunner		
D601,797	S	10/2009	Wenchel et al.		
D602,688	S	* 10/2009	Smith .....	D3/233	
7,600,640	B2	10/2009	Hallee et al.		
D605,403	S	12/2009	Santamarina et al.		
D608,094	S	1/2010	Concari et al.		
7,661,530	B1	2/2010	Hewitt		
D616,200	S	5/2010	Riedel et al.		
D618,911	S	7/2010	Brunner		
D624,317	S	9/2010	Wenchel et al.		
D627,968	S	11/2010	Brunner		

(56)

References Cited

U.S. PATENT DOCUMENTS

7,837,053 B2 11/2010 Arnett et al.  
 7,845,653 B2 12/2010 Katz  
 7,854,321 B2 12/2010 Twig et al.  
 D630,435 S 1/2011 Brunner  
 7,874,328 B2 1/2011 Dancyger  
 7,883,096 B2 2/2011 Katz et al.  
 D635,769 S 4/2011 Sosnovsky  
 D636,996 S 5/2011 Kokawa et al.  
 D637,812 S 5/2011 Horiyama et al.  
 7,938,412 B2 5/2011 Katz  
 D641,552 S 7/2011 Sosnovsky  
 7,984,820 B2 7/2011 Dancyger  
 D647,301 S 10/2011 Sosnovsky  
 D648,532 S 11/2011 Sosnovsky  
 D648,533 S 11/2011 Sosnovsky  
 D649,350 S 11/2011 Shitrit  
 8,056,943 B2 11/2011 Scheffy et al.  
 8,061,536 B2 11/2011 Lin et al.  
 D649,783 S 12/2011 Brunner  
 8,152,037 B2 4/2012 Sabbag  
 D661,903 S 6/2012 Kokawa et al.  
 8,191,910 B2 6/2012 Landau et al.  
 8,210,387 B2 7/2012 Twig et al.  
 8,267,245 B2 9/2012 Kotula et al.  
 8,267,247 B1 9/2012 Horiyama  
 8,272,628 B2 9/2012 Winnard  
 D668,867 S 10/2012 Yamamot  
 D668,868 S 10/2012 Lehovetzki  
 D668,869 S 10/2012 Yamamoto et al.  
 D670,500 S 11/2012 Sosnovsky  
 8,327,576 B2 12/2012 Sellers  
 8,328,247 B2 12/2012 Tonelli  
 D673,774 S 1/2013 Neuhaus et al.  
 8,376,177 B2 2/2013 Castner et al.  
 8,434,617 B1 5/2013 Wang  
 8,469,195 B2 6/2013 Gosselink et al.  
 8,505,729 B2 8/2013 Sosnovsky et al.  
 2002/0014507 A1 2/2002 Snider et al.  
 2002/0043534 A1 4/2002 Uke  
 2002/0074332 A1 6/2002 Sagol  
 2003/0075468 A1 4/2003 Story et al.  
 2004/0112777 A1 6/2004 Huang  
 2005/0109650 A1 5/2005 Huang  
 2006/0017293 A1 1/2006 Tonelli  
 2006/0144732 A1 7/2006 Kaplan et al.

2006/0201834 A1 9/2006 Lutz  
 2007/0137960 A1 6/2007 Redzisz  
 2007/0241113 A1 10/2007 Williams  
 2008/0017537 A1 1/2008 Inskeep et al.  
 2008/0035508 A1 2/2008 Streich et al.  
 2008/0035510 A1 2/2008 Brunson  
 2008/0067206 A1 3/2008 Kuhn  
 2008/0152944 A1 6/2008 Bonini et al.  
 2008/0164842 A1 7/2008 Bergner  
 2008/0169739 A1 7/2008 Goldenberg  
 2008/0230416 A1 9/2008 Brouard  
 2008/0302623 A1\* 12/2008 Gupton, Jr. .... A45C 13/02  
 190/110  
 2009/0080809 A1 3/2009 Pham et al.  
 2009/0211932 A1 8/2009 Schnitt et al.  
 2009/0250365 A1 10/2009 Goto et al.  
 2010/0012538 A1 1/2010 Brunner  
 2010/0012655 A1 1/2010 Dathy  
 2010/0033325 A1 2/2010 Vilkomirski et al.  
 2010/0224527 A1 9/2010 Huang  
 2010/0258465 A1 10/2010 Gomas  
 2011/0084075 A1 4/2011 Arnett et al.  
 2011/0094910 A1 4/2011 Fleury et al.  
 2011/0132046 A1 6/2011 Tonelli  
 2011/0174648 A1 7/2011 Huang et al.  
 2011/0268374 A1 11/2011 Hotta et al.  
 2012/0018330 A1 1/2012 Kato et al.  
 2012/0152944 A1 6/2012 Vilkomirski et al.  
 2012/0206907 A1 8/2012 Seidel  
 2012/0257379 A1 10/2012 Herr et al.  
 2012/0267374 A1 10/2012 Kotula et al.  
 2012/0292213 A1 11/2012 Brunner  
 2012/0312708 A1 12/2012 Roehm et al.  
 2012/0317933 A1 12/2012 Crull  
 2012/0318792 A1 12/2012 Larson et al.  
 2012/0326406 A1 12/2012 Lifshitz et al.  
 2012/0326669 A1 12/2012 Horiyama et al.  
 2013/0186795 A1 7/2013 Borrelli

OTHER PUBLICATIONS

SKB cases, I Series Indestructible Catalog (2010) 16 pages.  
 Barska, "Barska Loaded Gear HD-400 Watertight Dry Box" website  
 available as early as Mar. 13, 2013.  
 JR Shooting Sports, "Genuine Browning Shooting Accessories  
 Utility Cases" website available as early as Aug. 20, 2003.

\* cited by examiner

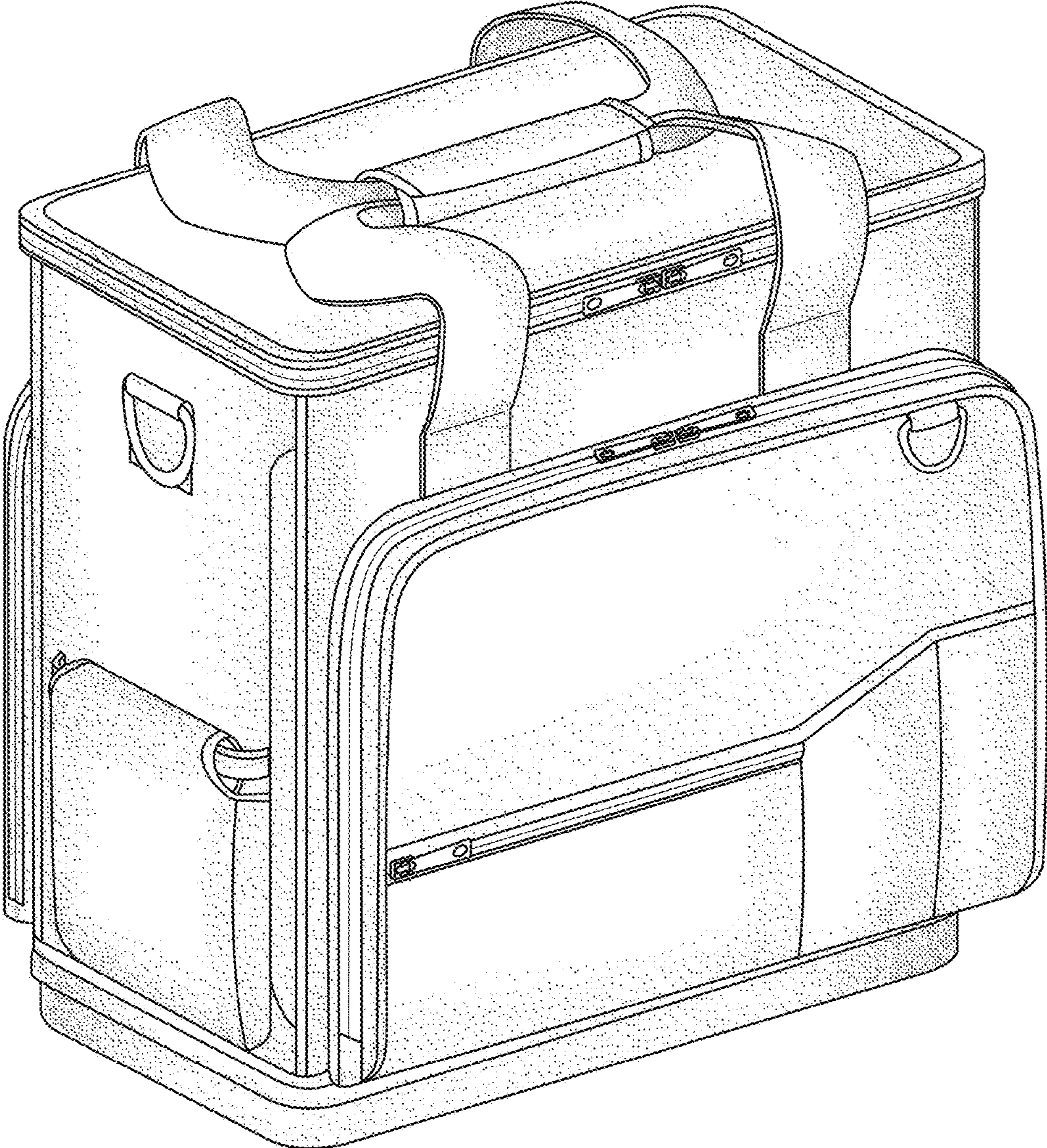


FIG. 1

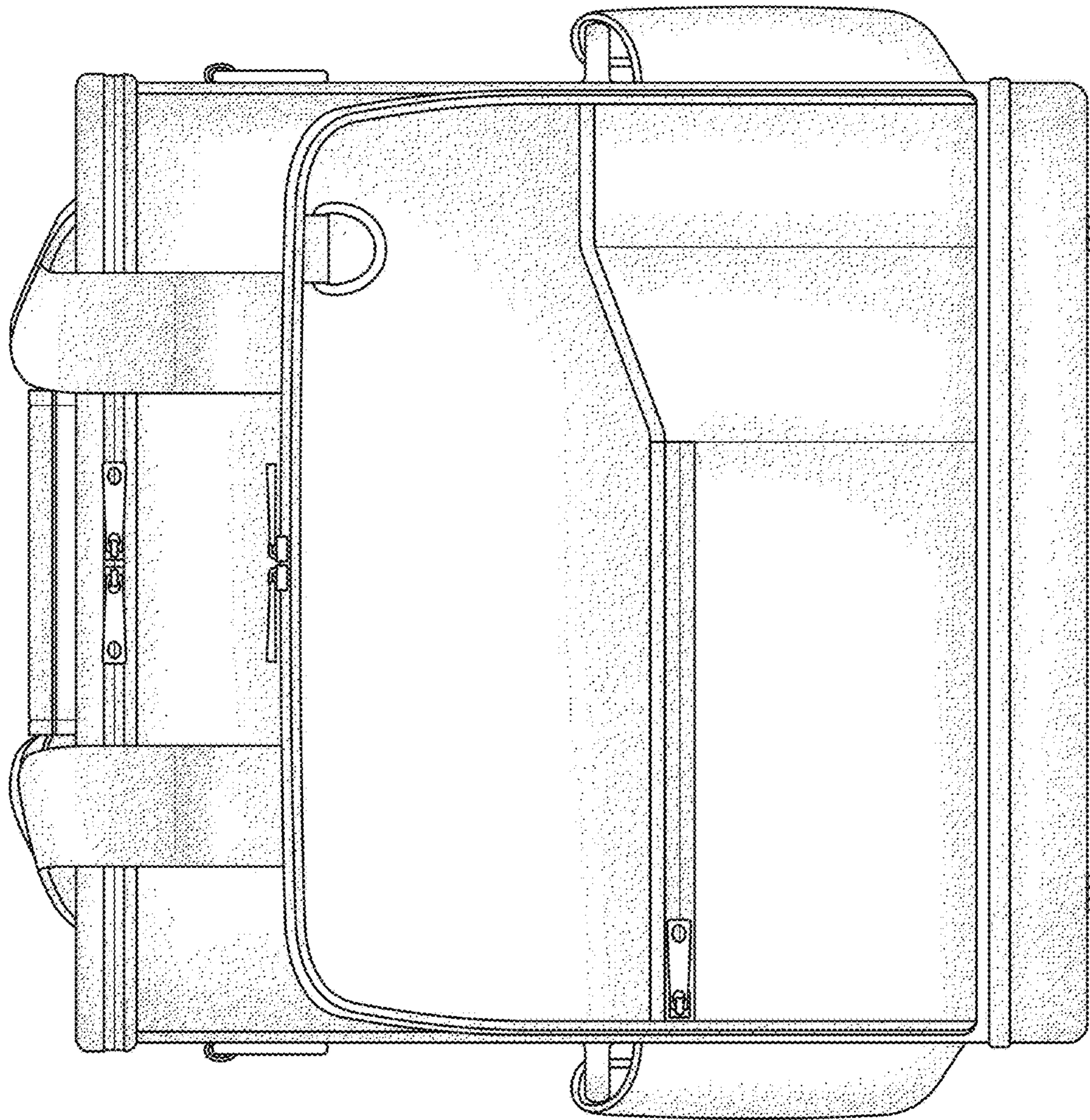


FIG. 2

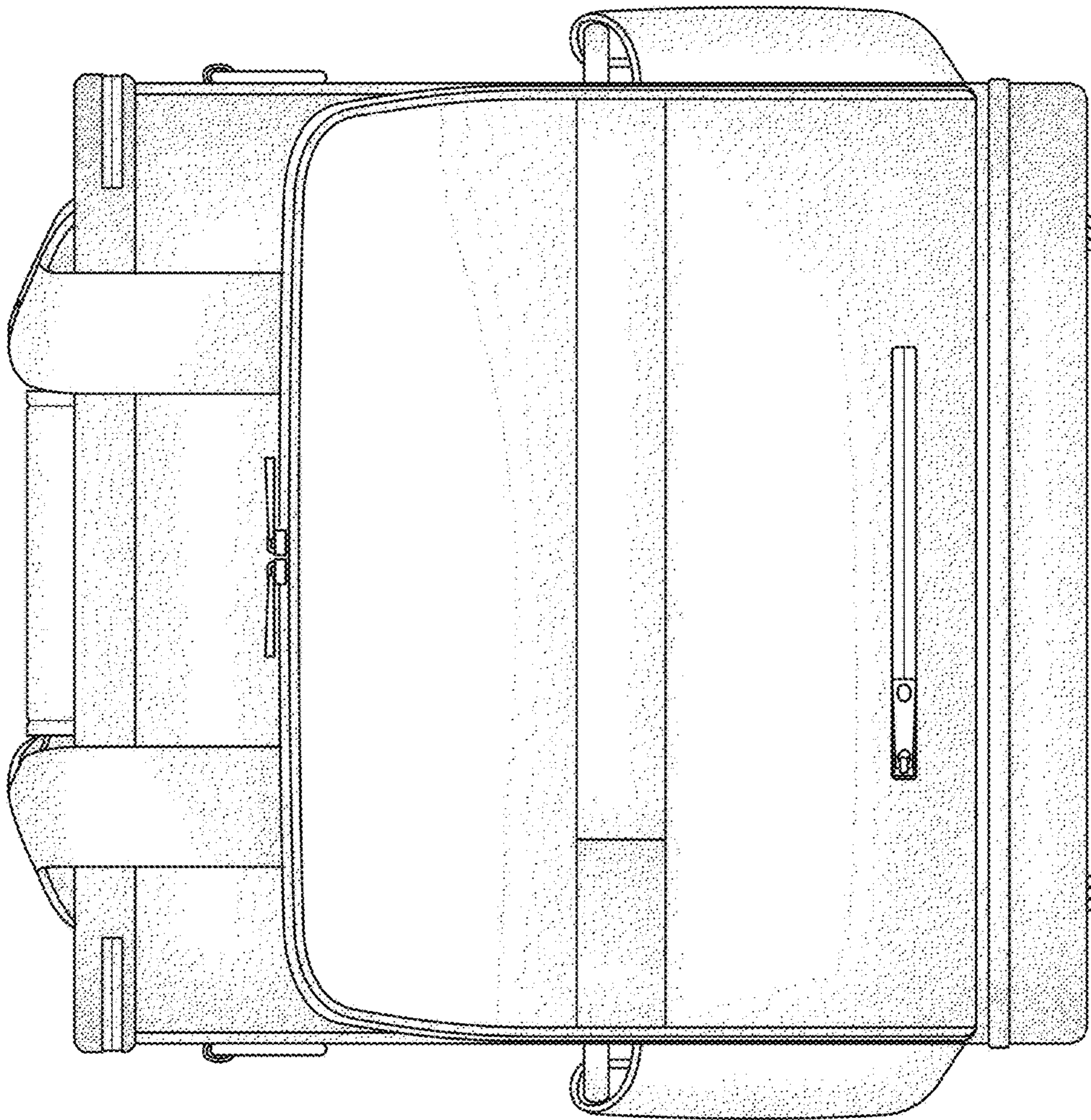


FIG. 3

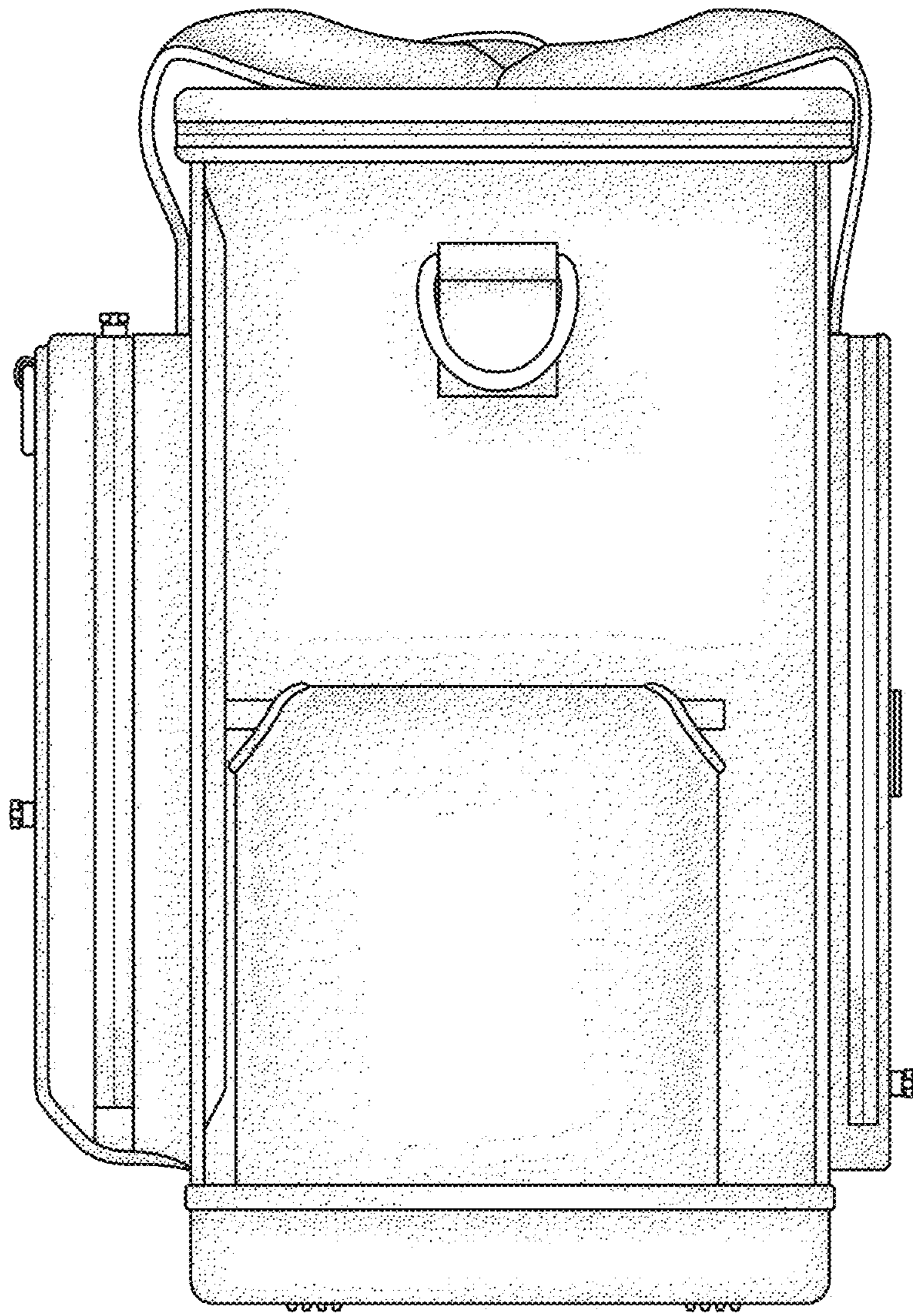


FIG. 4

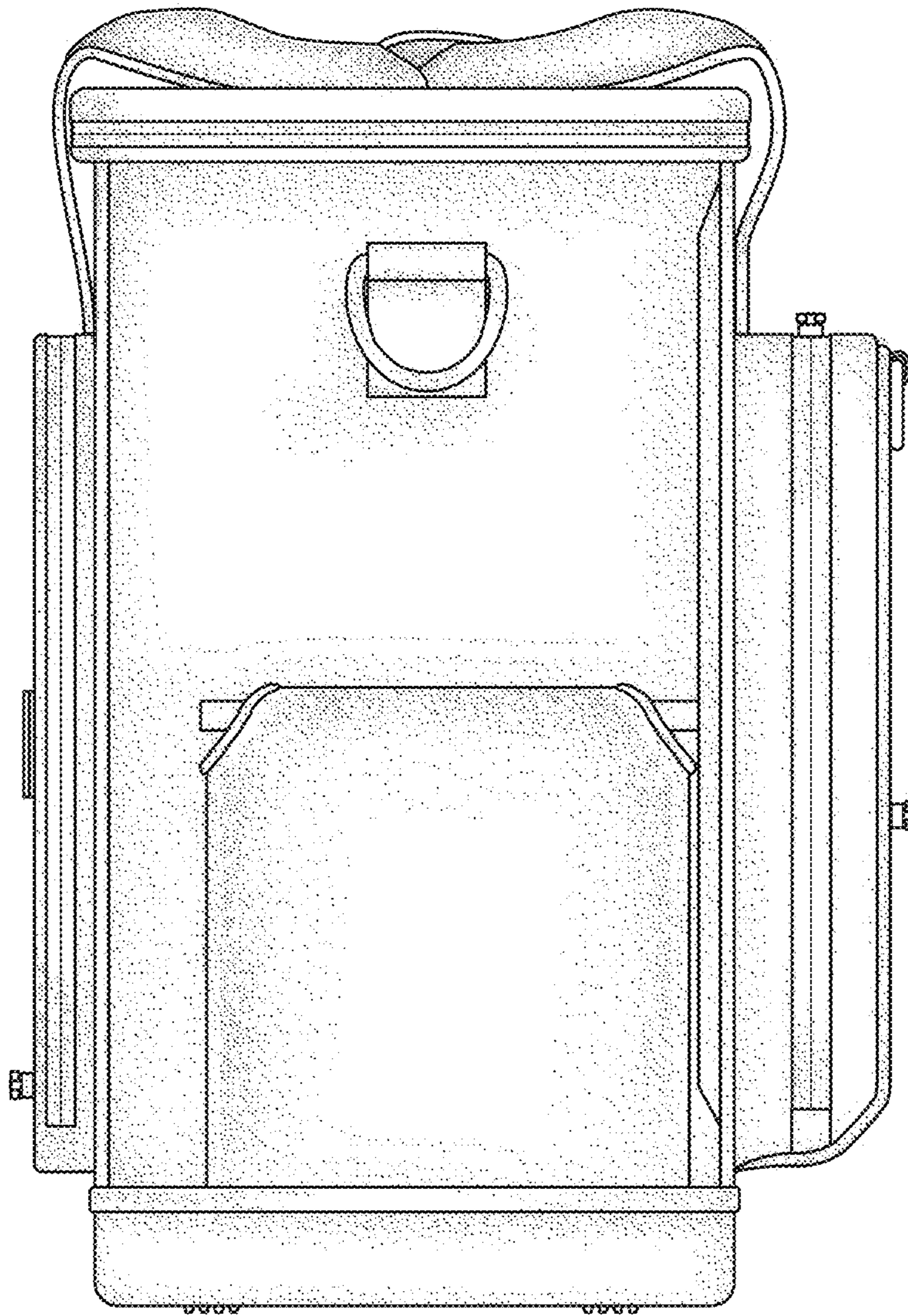


FIG. 5



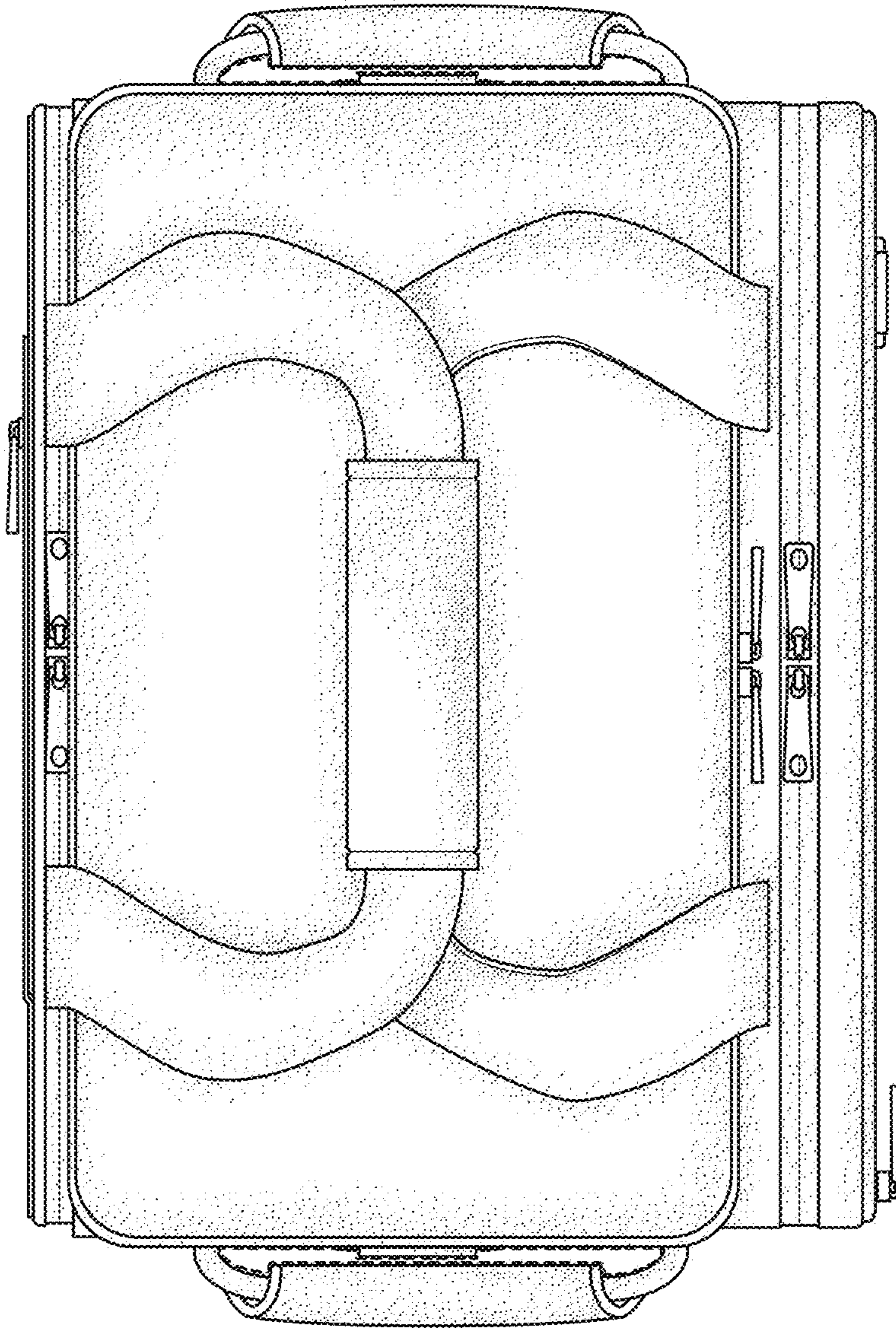


FIG. 6

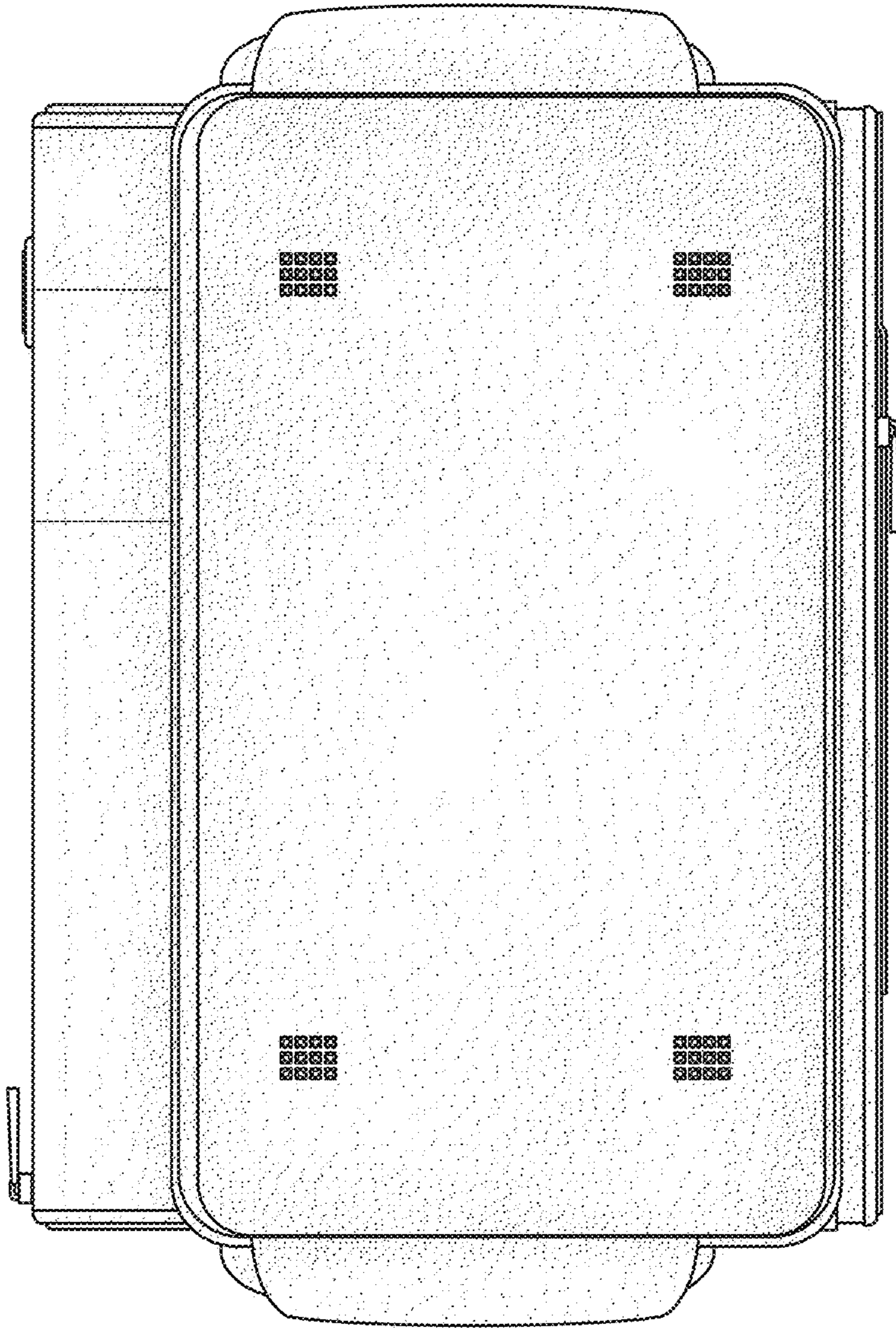


FIG. 7

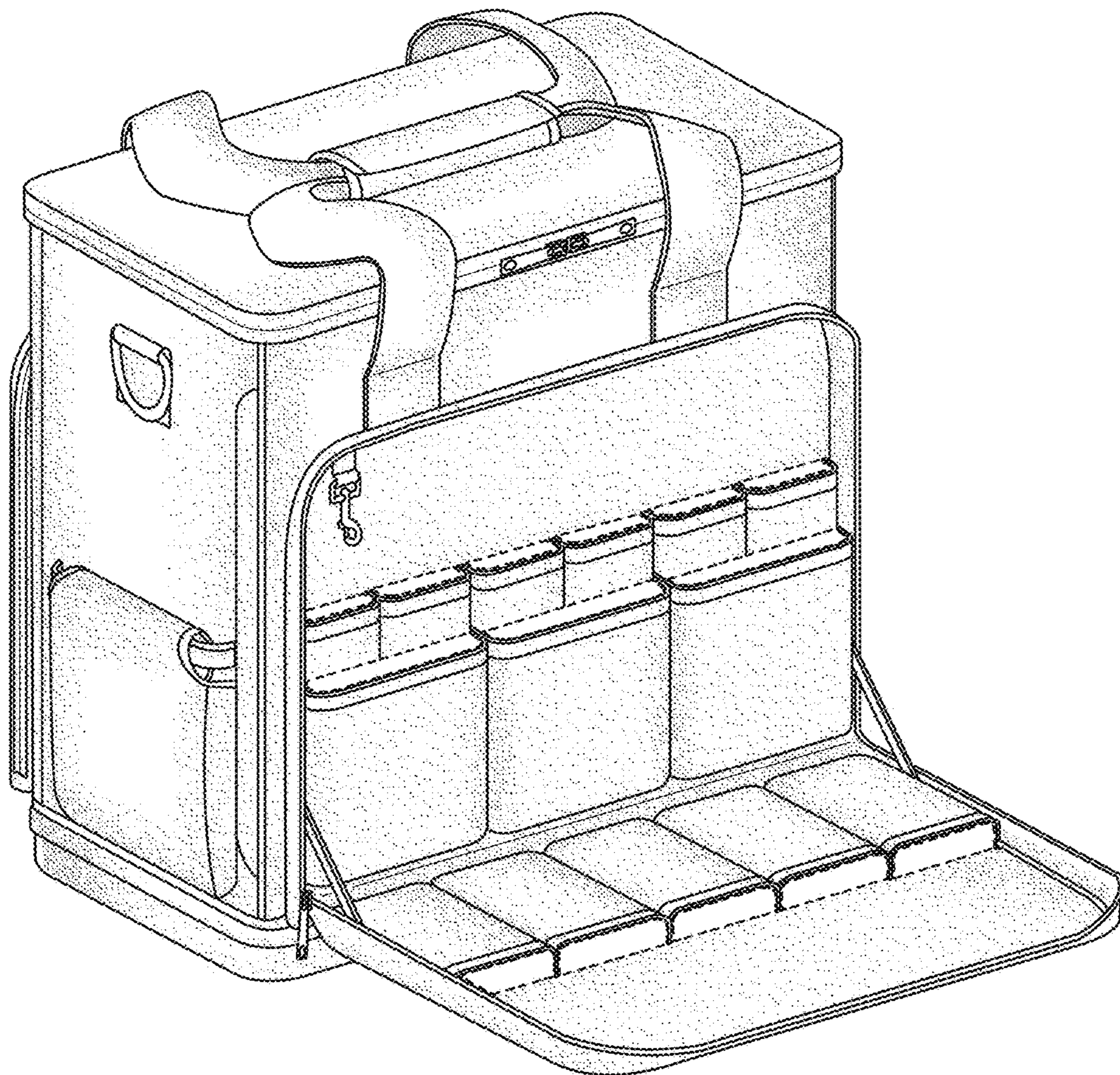


FIG. 8

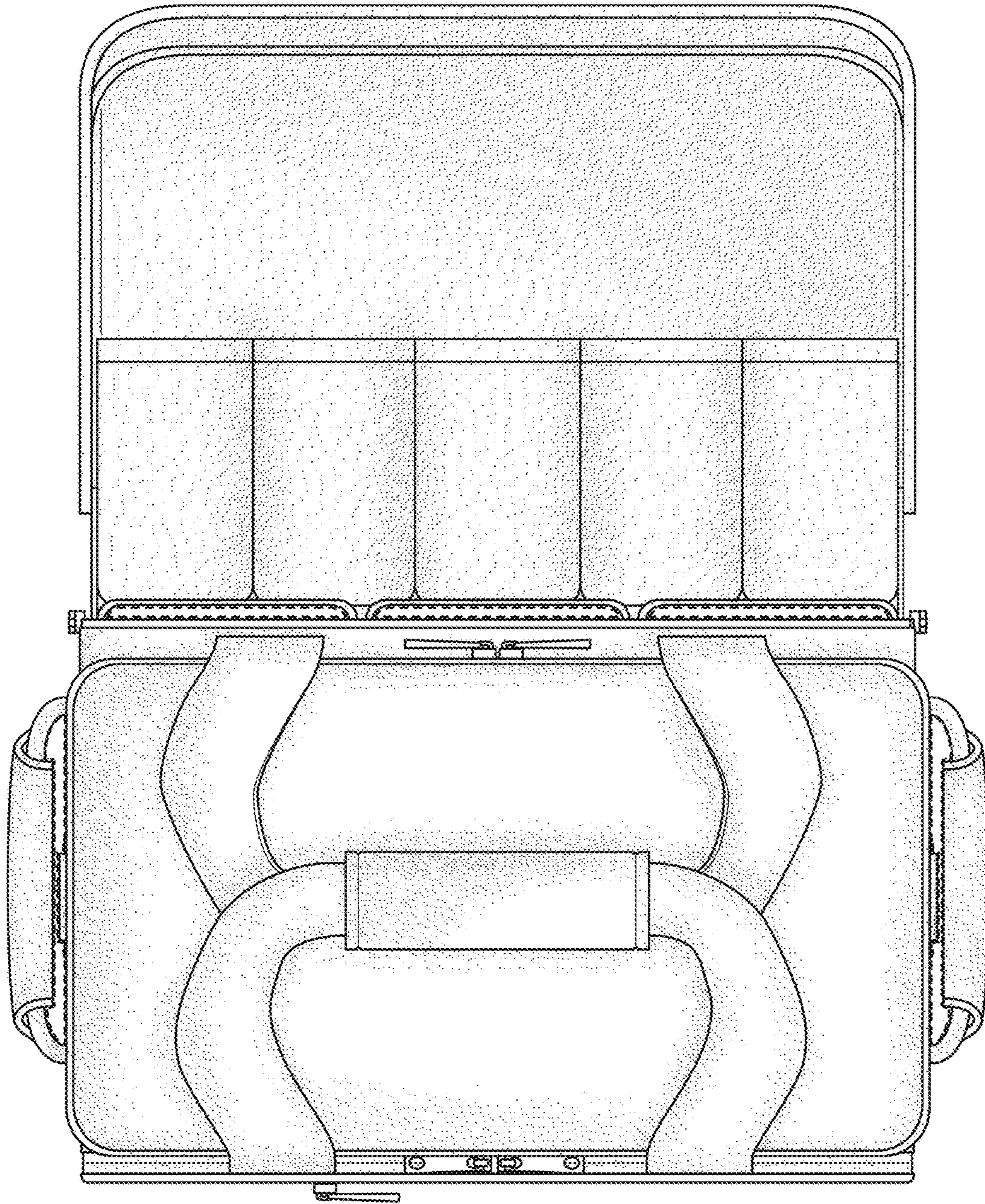


FIG. 9

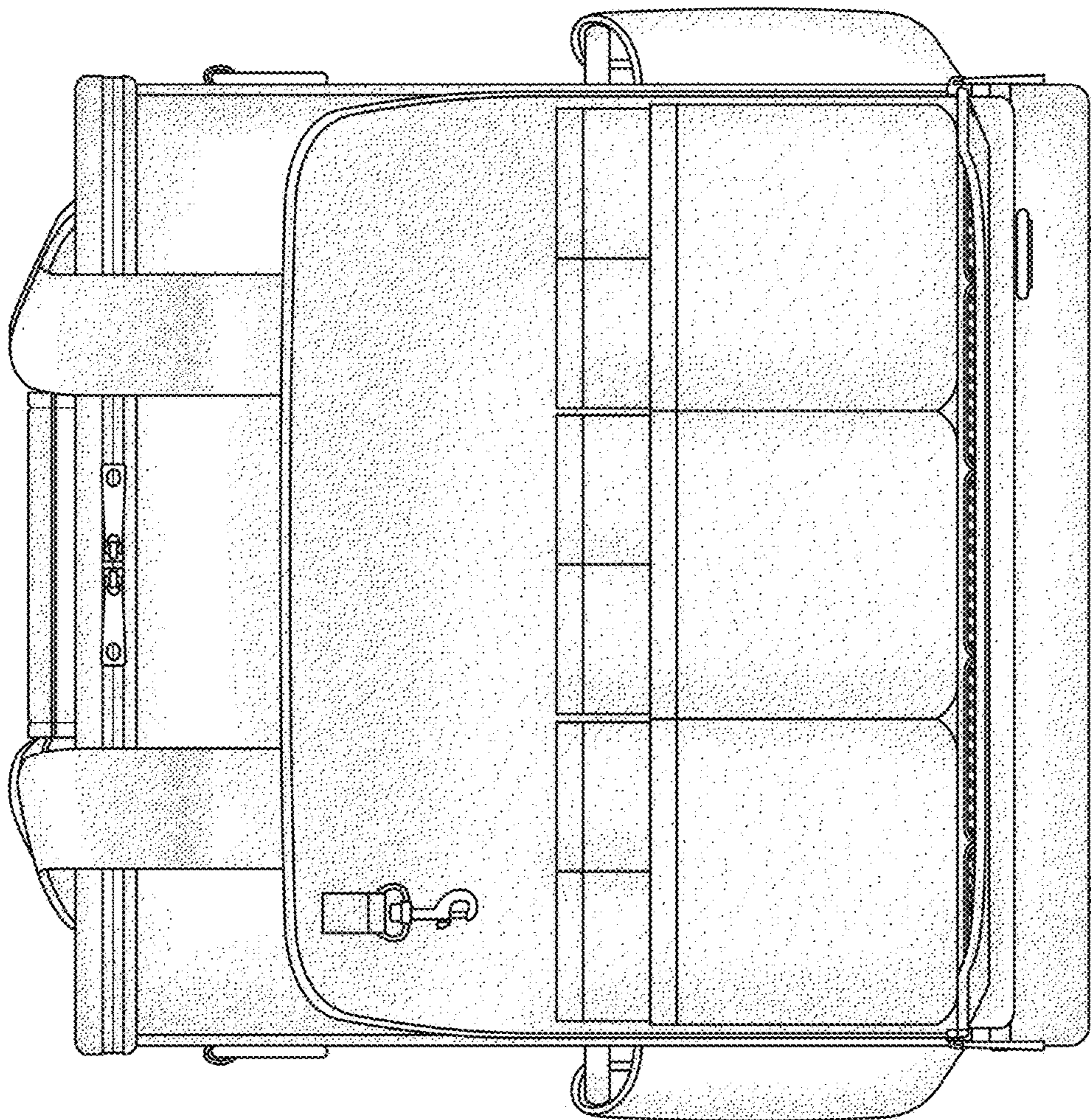


FIG. 10