



US00D834812S

(12) **United States Design Patent** (10) **Patent No.:** **US D834,812 S**
Nair (45) **Date of Patent:** **** Dec. 4, 2018**

(54) **HANDBAG**
(71) Applicant: **MOYNAT PARIS SAS**, Paris (FR)
(72) Inventor: **Ramesh Nair**, Paris (FR)
(**) Term: **15 Years**
(21) Appl. No.: **35/503,822**
(22) Filed: **Sep. 27, 2017**

D144,913 S * 6/1946 Deutz D3/242
D148,323 S * 1/1948 Pichel D3/242
D153,703 S * 5/1949 Kaufman D3/242
D161,362 S * 12/1950 Nessimoff D3/243
D171,072 S * 12/1953 Aberman D3/242
D175,075 S * 7/1955 Hurst D3/242
D584,047 S * 1/2009 Messineo D3/243
D662,708 S * 7/2012 Mailet D3/232
D693,115 S * 11/2013 Stringfellow-Collins D3/232
D697,306 S * 1/2014 Romero D3/232
D780,448 S * 3/2017 Nair D3/243
D798,048 S * 9/2017 Nair D3/242
D798,051 S * 9/2017 Nair D3/243

(80) **Hague Agreement Data**

Int. Filing Date: **Sep. 27, 2017**
Int. Reg. No.: **DM/097930**
Int. Reg. Date: **Sep. 27, 2017**
Int. Reg. Pub. Date: **Oct. 13, 2017**

* cited by examiner

Primary Examiner — Manpreet S Matharu
Assistant Examiner — Holly E Thurman

(51) **LOC (11) Cl.** **03-01**
(52) **U.S. Cl.**
USPC **D3/232**
(58) **Field of Classification Search**
USPC D3/232–233, 240–243, 245–247,
D3/249–253, 273, 277, 292, 318
CPC A45C 1/024; A45C 3/06
See application file for complete search history.

(57) **CLAIM**

The ornamental design for a handbag, as shown and described.

DESCRIPTION

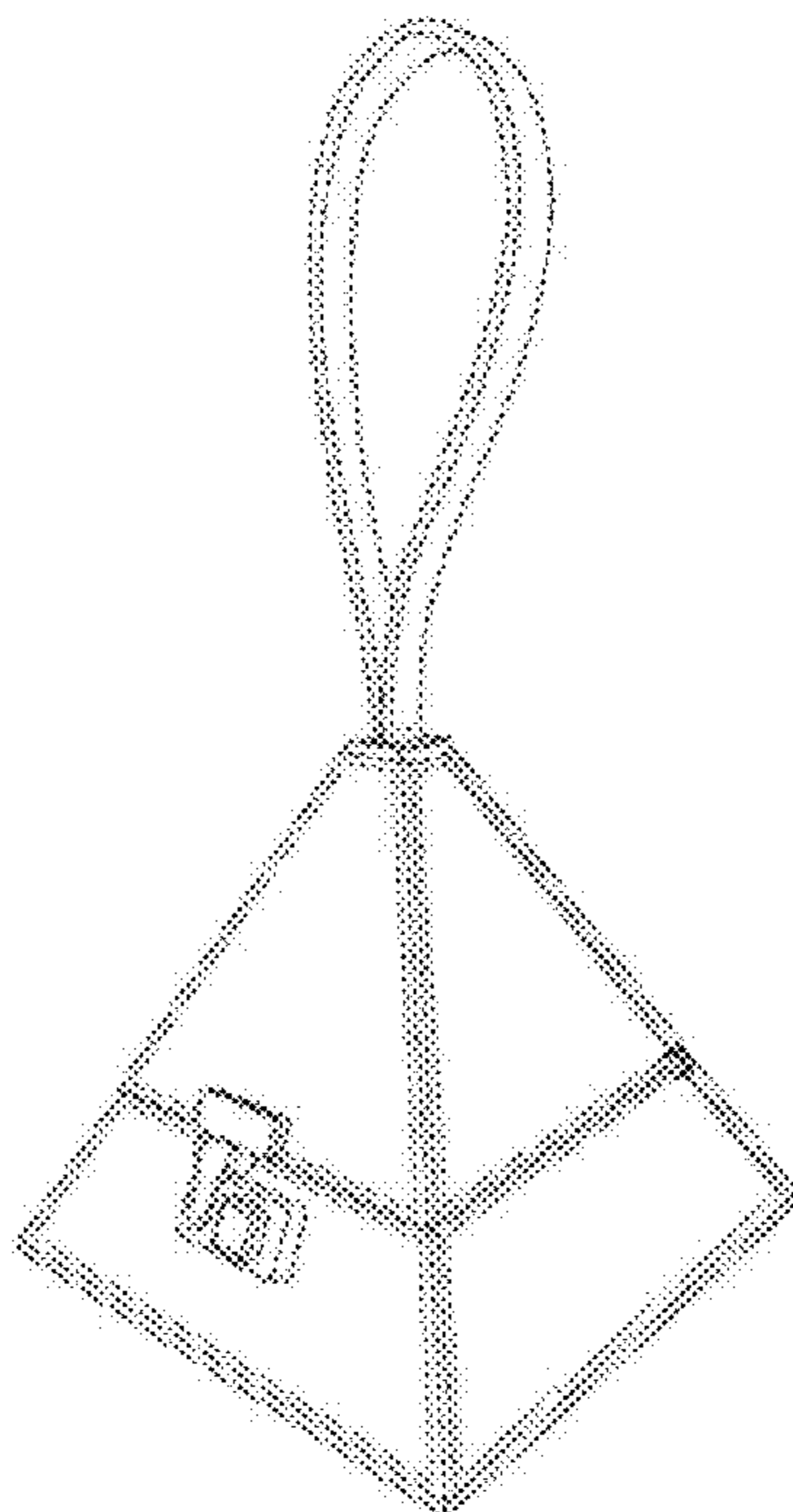
(56) **References Cited**

U.S. PATENT DOCUMENTS

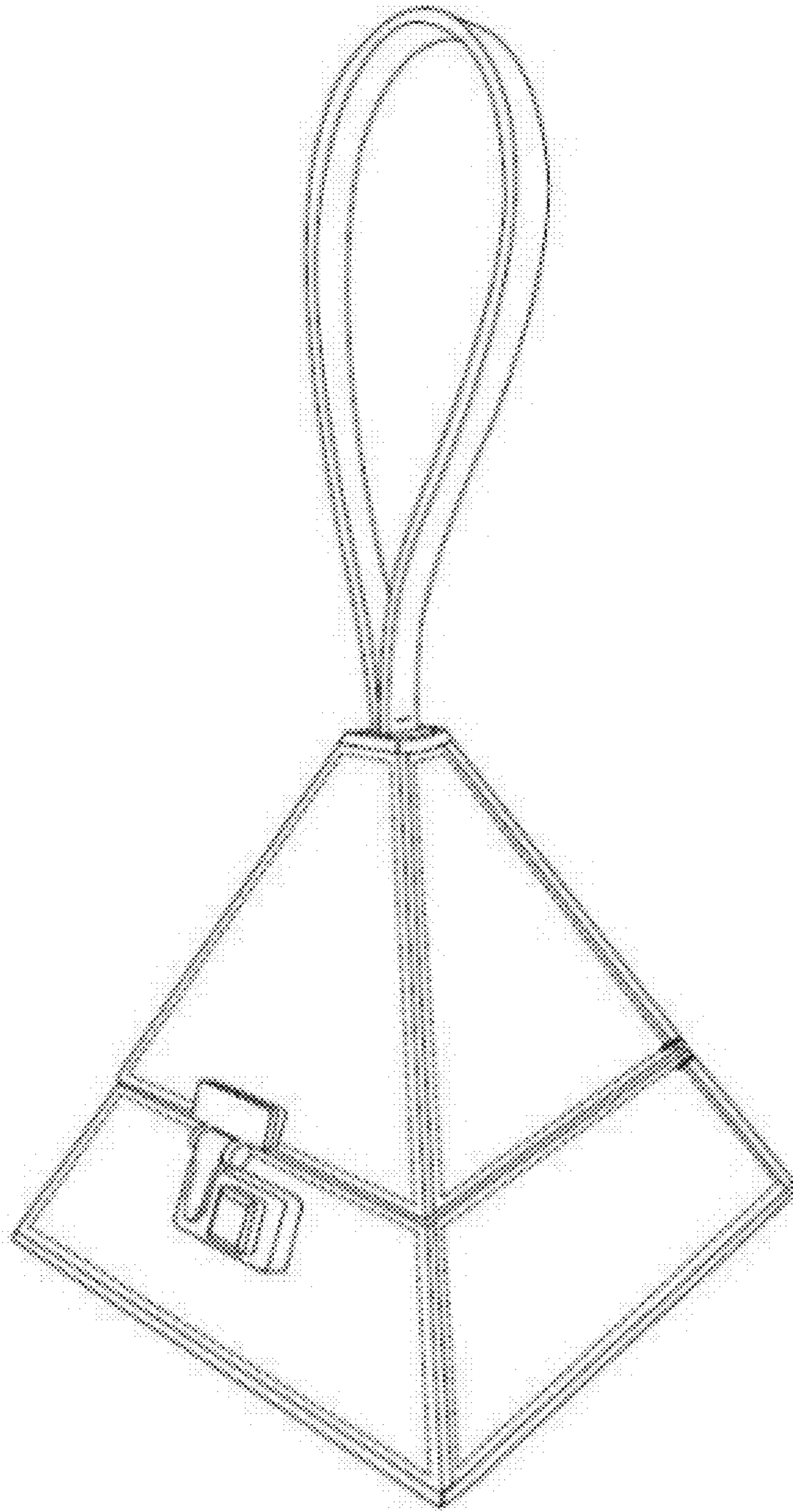
D49,914 S * 11/1916 Wertheim D3/232
D96,725 S * 9/1935 Courtine D3/243
D106,261 S * 9/1937 Schoenfeld D3/243
D115,111 S * 6/1939 Headley, III D3/243
D141,300 S * 5/1945 Hiltenbrand D3/242

1. Handbag
1.1 is a front perspective view of the handbag showing my new design;
1.2 is a front view thereof;
1.3 is a back view thereof;
1.4 is a right side view thereof;
1.5 left side view thereof;
1.6 is a top view thereof; and
1.7 is bottom view thereof.
The broken lines depicts stitching; and forms part of the claimed design.

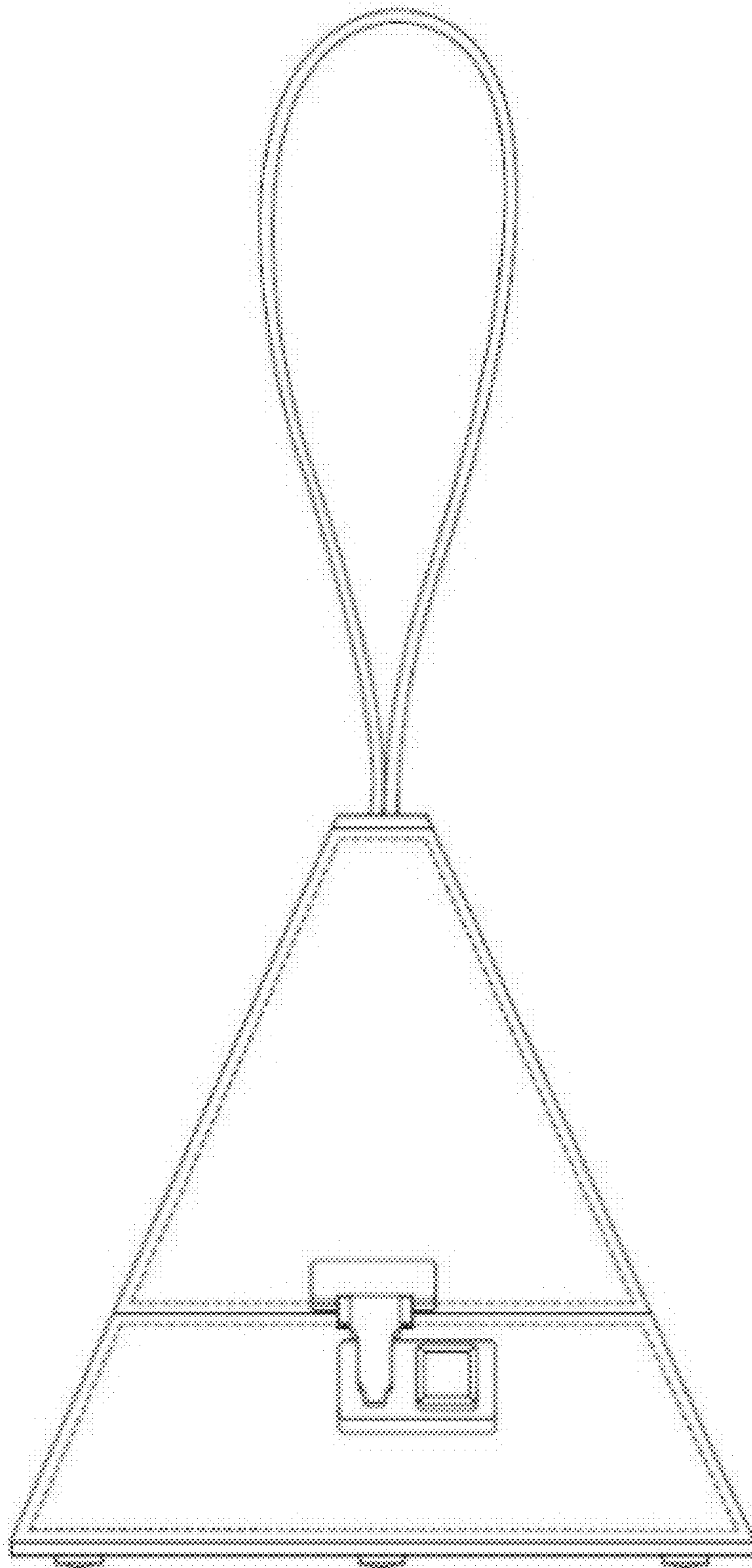
1 Claim, 7 Drawing Sheets



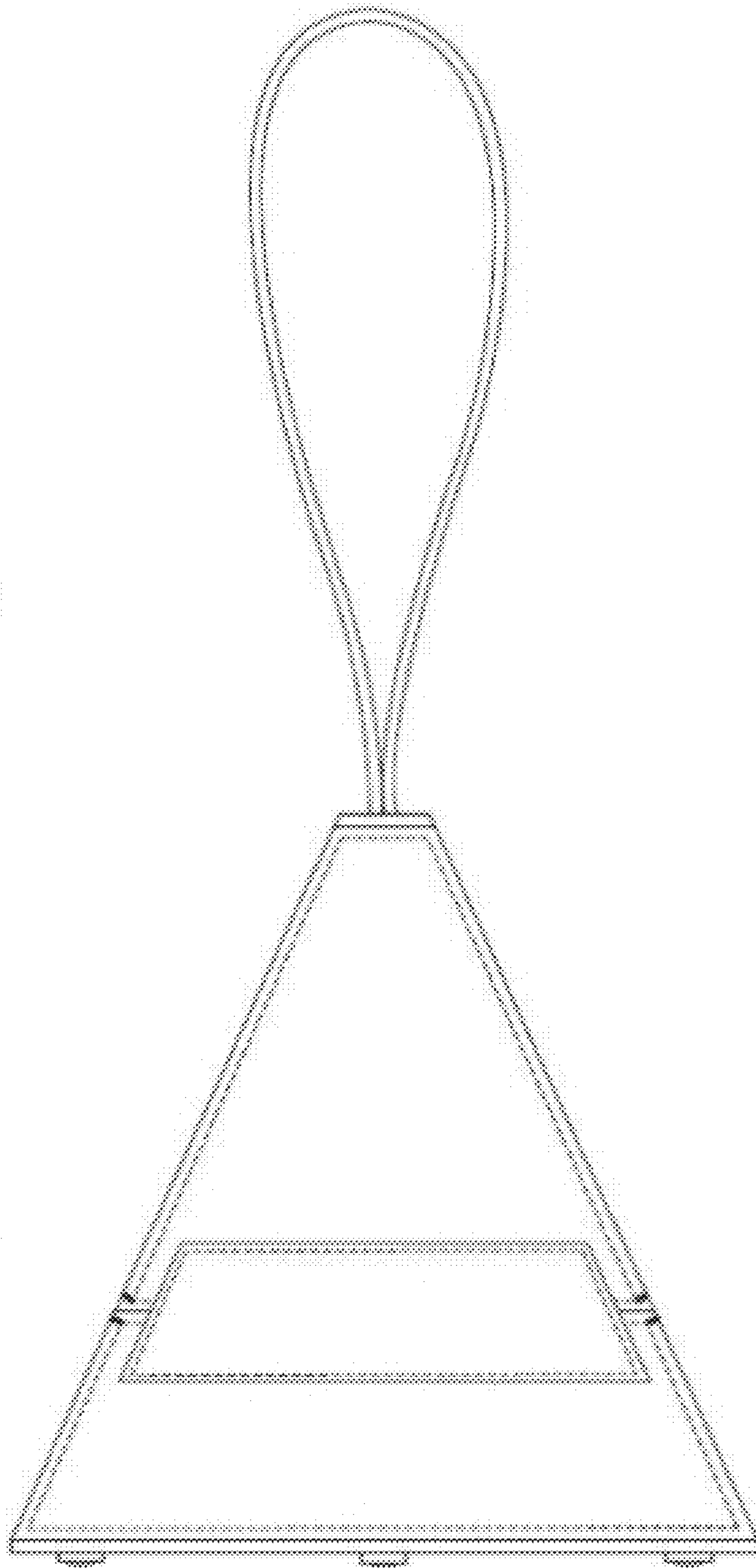
1.1



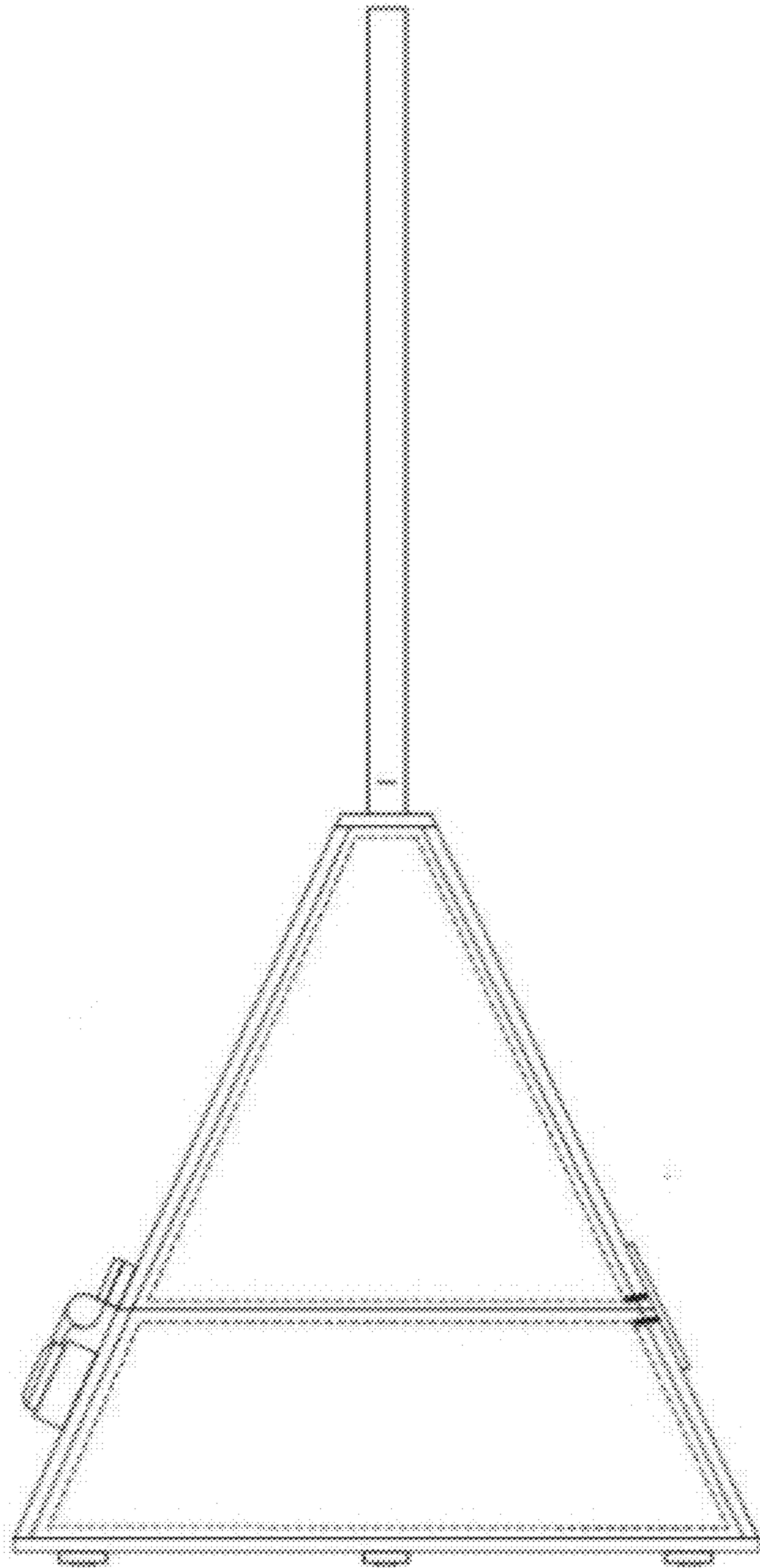
1.2



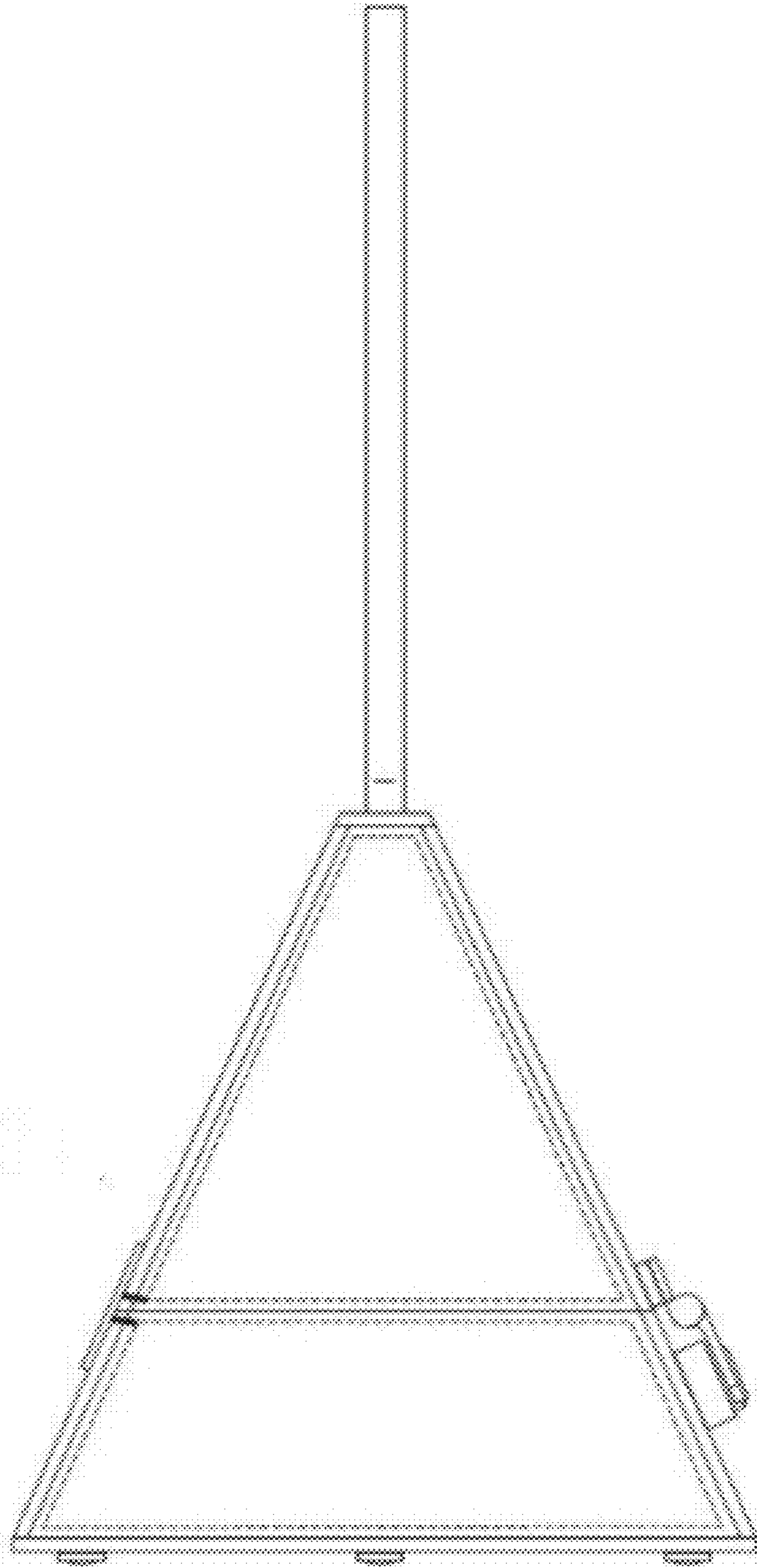
1.3



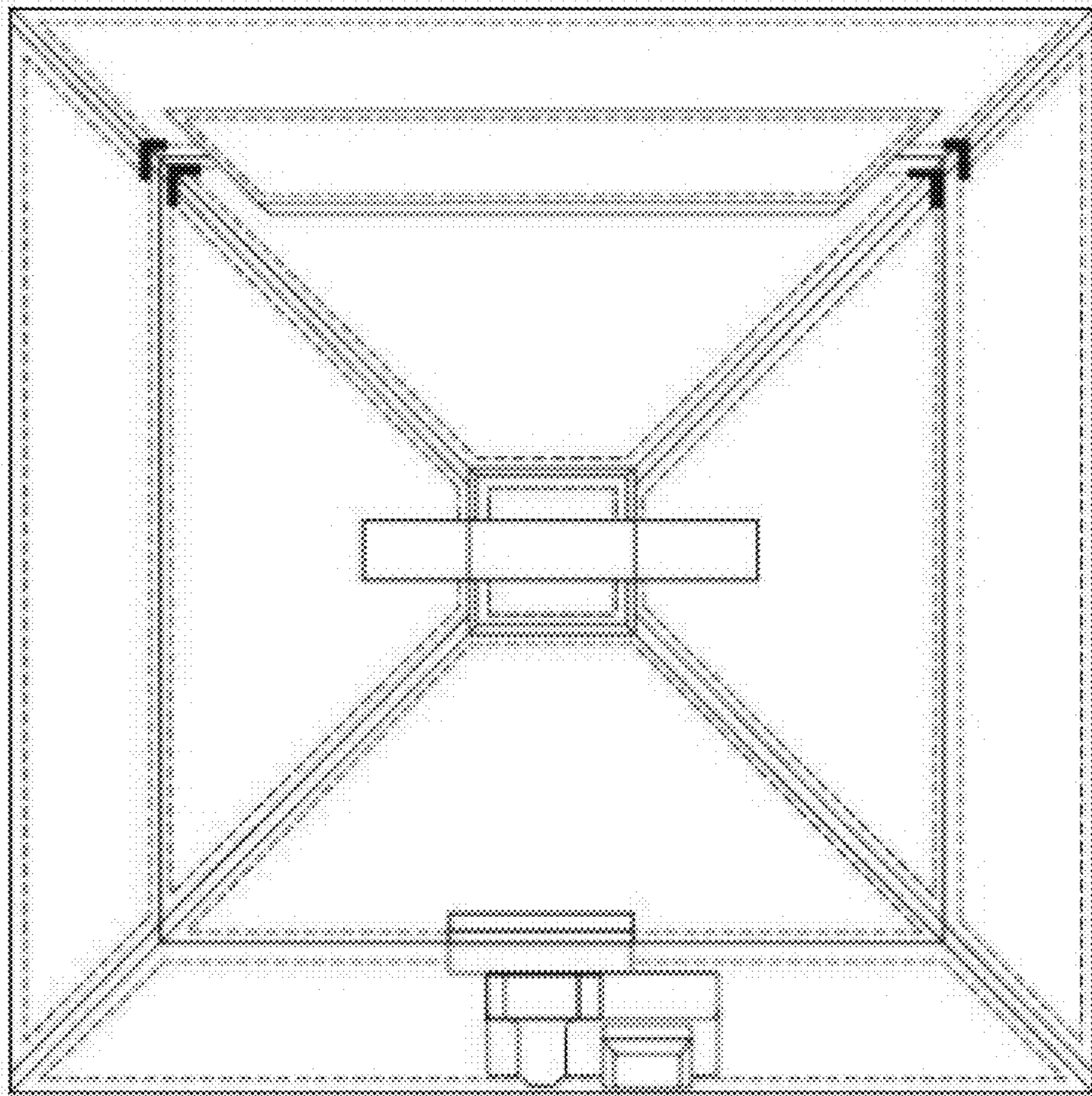
1.4



1.5



1.6



1.7

