



US00D834807S

(12) **United States Design Patent**  
**Tellings**

(10) **Patent No.:** **US D834,807 S**

(45) **Date of Patent:** **\*\* Dec. 4, 2018**

(54) **HANDLE FOR AN UMBRELLA**

(71) Applicant: **TRAMEX TRADING COMPANY LIMITED**, Wan Chai (HK)

(72) Inventor: **Alexandre Tellings**, Beaufays (BE)

(73) Assignee: **Tramex Trading Company Limited**, Wan Chai (HK)

(\*\*) Term: **15 Years**

(21) Appl. No.: **29/618,728**

(22) Filed: **Sep. 22, 2017**

(30) **Foreign Application Priority Data**

Mar. 24, 2017 (EM) ..... 003822295-0007

(51) **LOC (11) Cl.** ..... **03-03**

(52) **U.S. Cl.**  
USPC ..... **D3/16; D3/12**

(58) **Field of Classification Search**  
USPC ..... D3/5, 6, 10, 12, 13, 14, 15, 16; D8/107, D8/300, 309  
CPC ..... A45B 9/02; A45B 17/00; A45B 19/00; A45B 2019/008; A45B 2023/0012; A45B 2023/0075; A45B 25/00; A45B 25/06; A45B 25/08; A45B 25/14; A45B 2025/146; A45B 2200/1081; A45B 2200/109  
See application file for complete search history.

(56) **References Cited**

**U.S. PATENT DOCUMENTS**

D602,686 S \* 10/2009 Patzak ..... D3/10  
D609,453 S \* 2/2010 Liu ..... D3/5

D621,600 S \* 8/2010 He ..... D3/5  
D638,622 S \* 5/2011 He ..... D3/5  
D668,445 S \* 10/2012 Patzak ..... D3/10  
D738,610 S \* 9/2015 Ma ..... D3/10  
D760,486 S \* 7/2016 Patzak ..... D3/10  
D803,545 S \* 11/2017 Rothbacher ..... D3/12  
D808,634 S \* 1/2018 Ma ..... D3/10  
D808,635 S \* 1/2018 Ma ..... D3/10  
D808,636 S \* 1/2018 Ma ..... D3/10  
D809,283 S \* 2/2018 Ma ..... D3/10  
D809,284 S \* 2/2018 Ma ..... D3/10  
D809,775 S \* 2/2018 Ma ..... D3/10  
D813,524 S \* 3/2018 Ma ..... D3/10  
D814,172 S \* 4/2018 Ma ..... D3/10  
D814,782 S \* 4/2018 Ma ..... D3/10  
D815,828 S \* 4/2018 Wang ..... D3/12

\* cited by examiner

*Primary Examiner* — John Windmuller

*Assistant Examiner* — Steven J Czyz

(74) *Attorney, Agent, or Firm* — Harness, Dickey & Pierce, P.L.C.

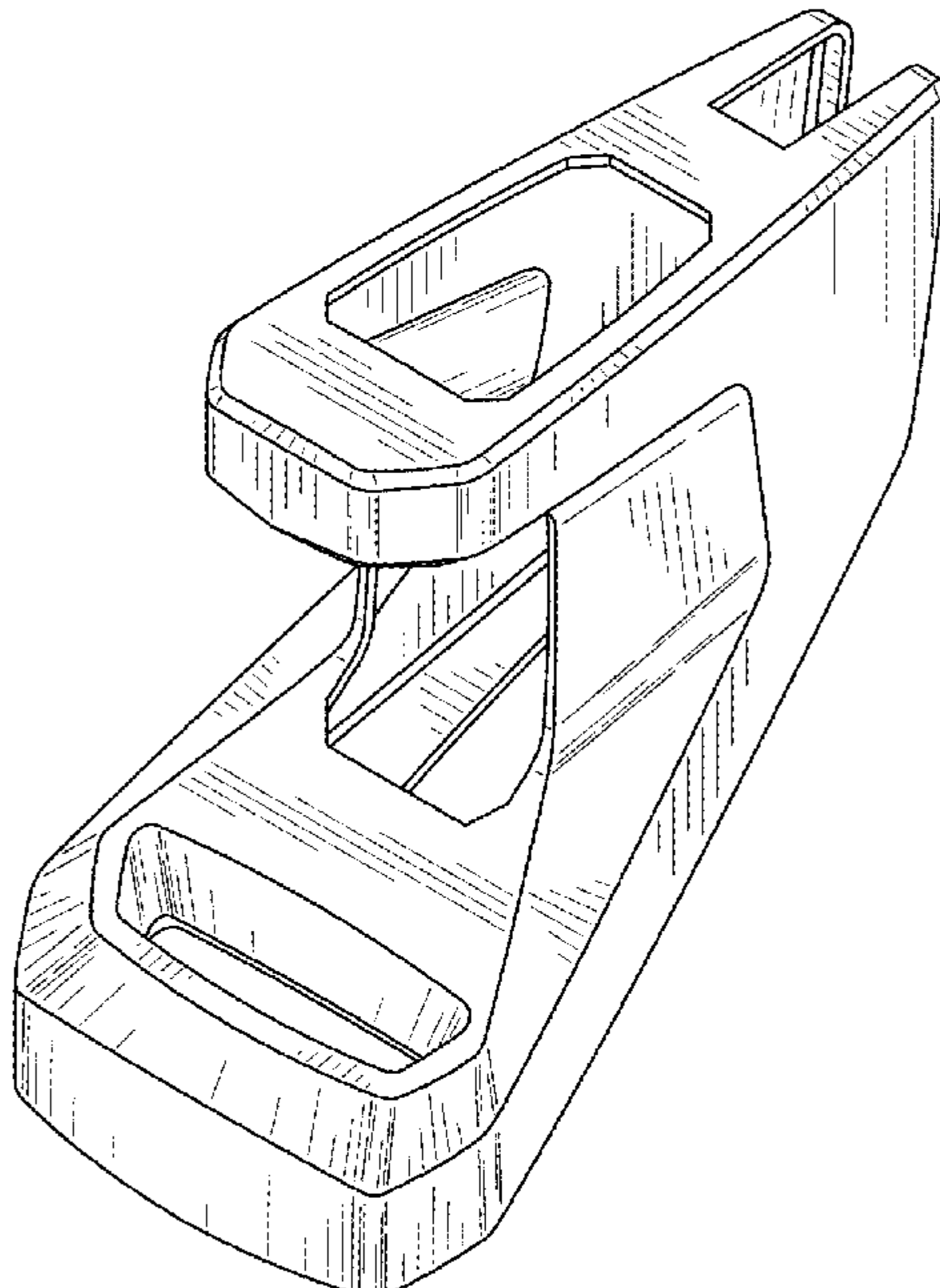
(57) **CLAIM**

The ornamental design for a handle for an umbrella, as shown and described.

**DESCRIPTION**

FIG. 1 is a perspective view of a handle for an umbrella in accordance with my new design;  
FIG. 2 is a front elevation view thereof;  
FIG. 3 is a rear elevation view thereof;  
FIG. 4 is a right side elevation view thereof;  
FIG. 5 is a left side elevation view thereof;  
FIG. 6 is a top plan view thereof; and,  
FIG. 7 is a bottom plan view thereof.

**1 Claim, 4 Drawing Sheets**



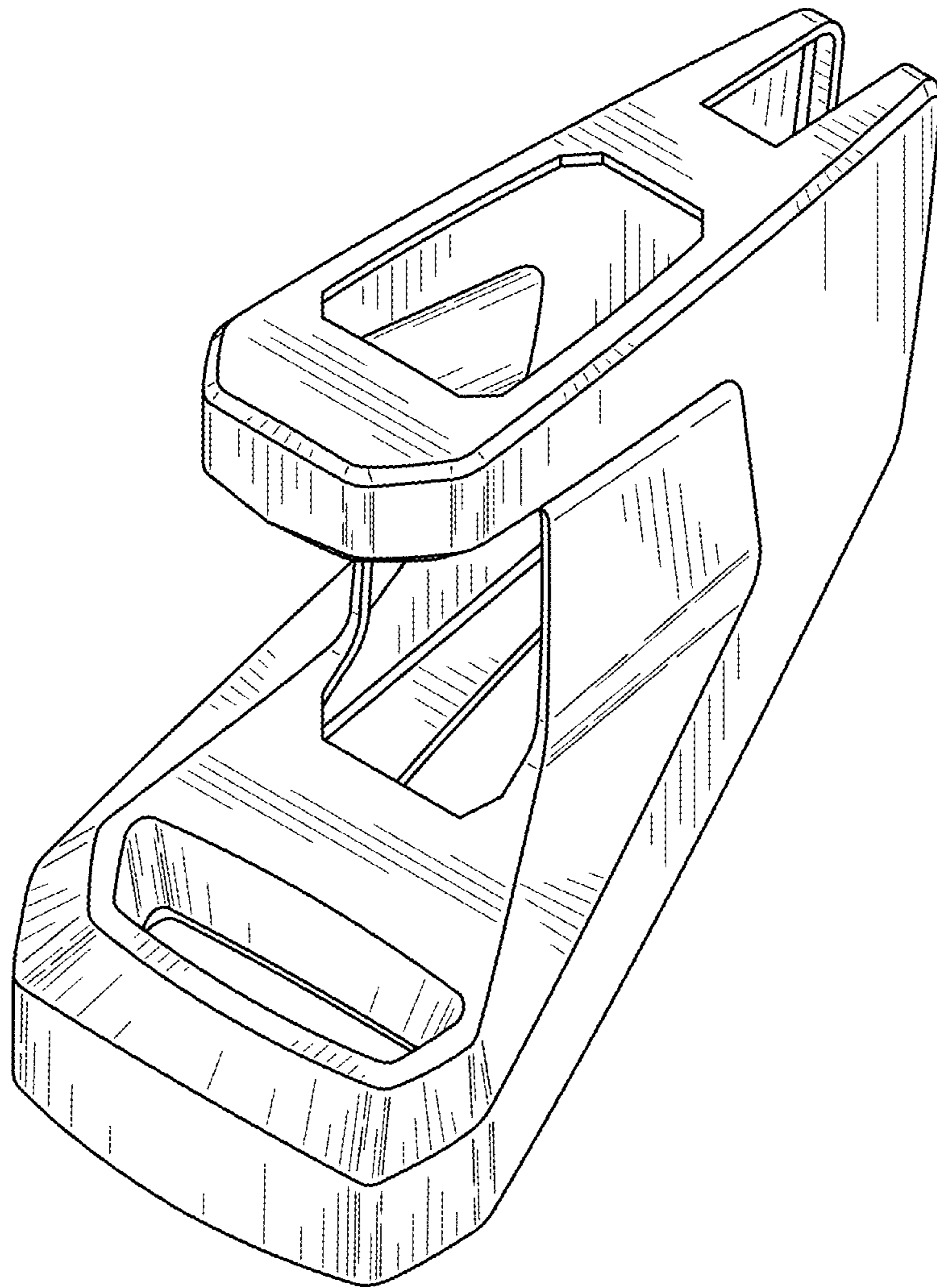


FIG. 1

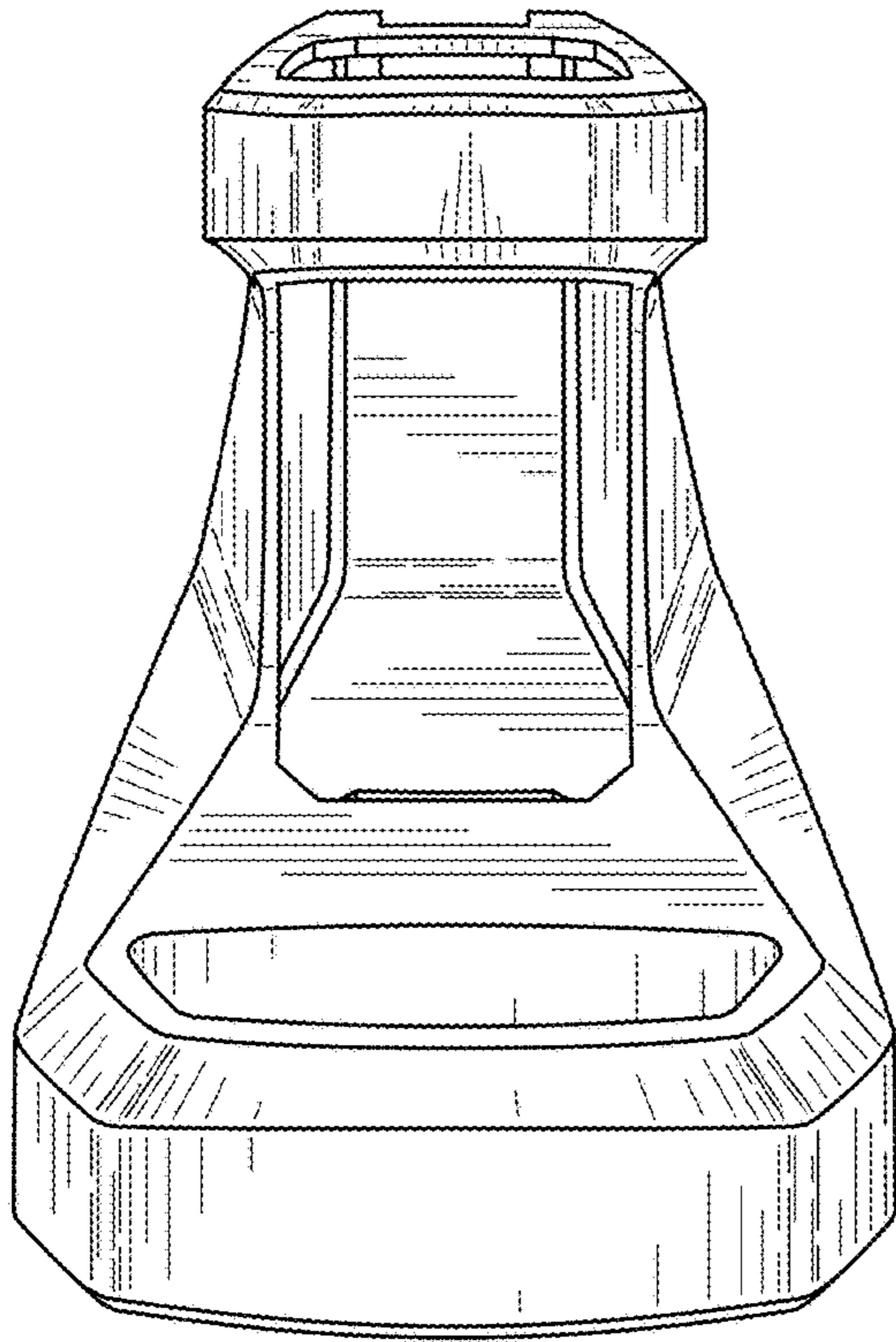


FIG. 2

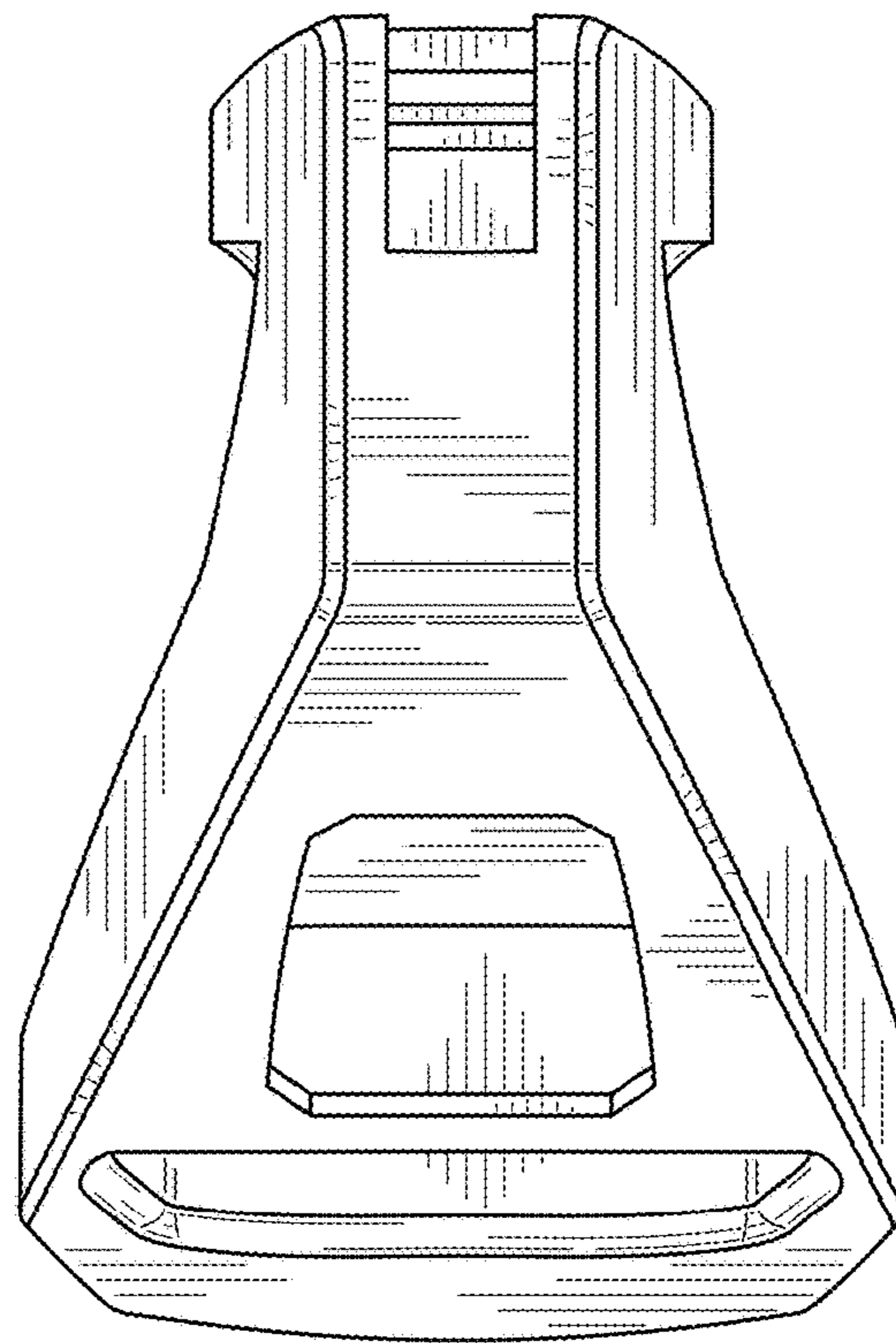


FIG. 3

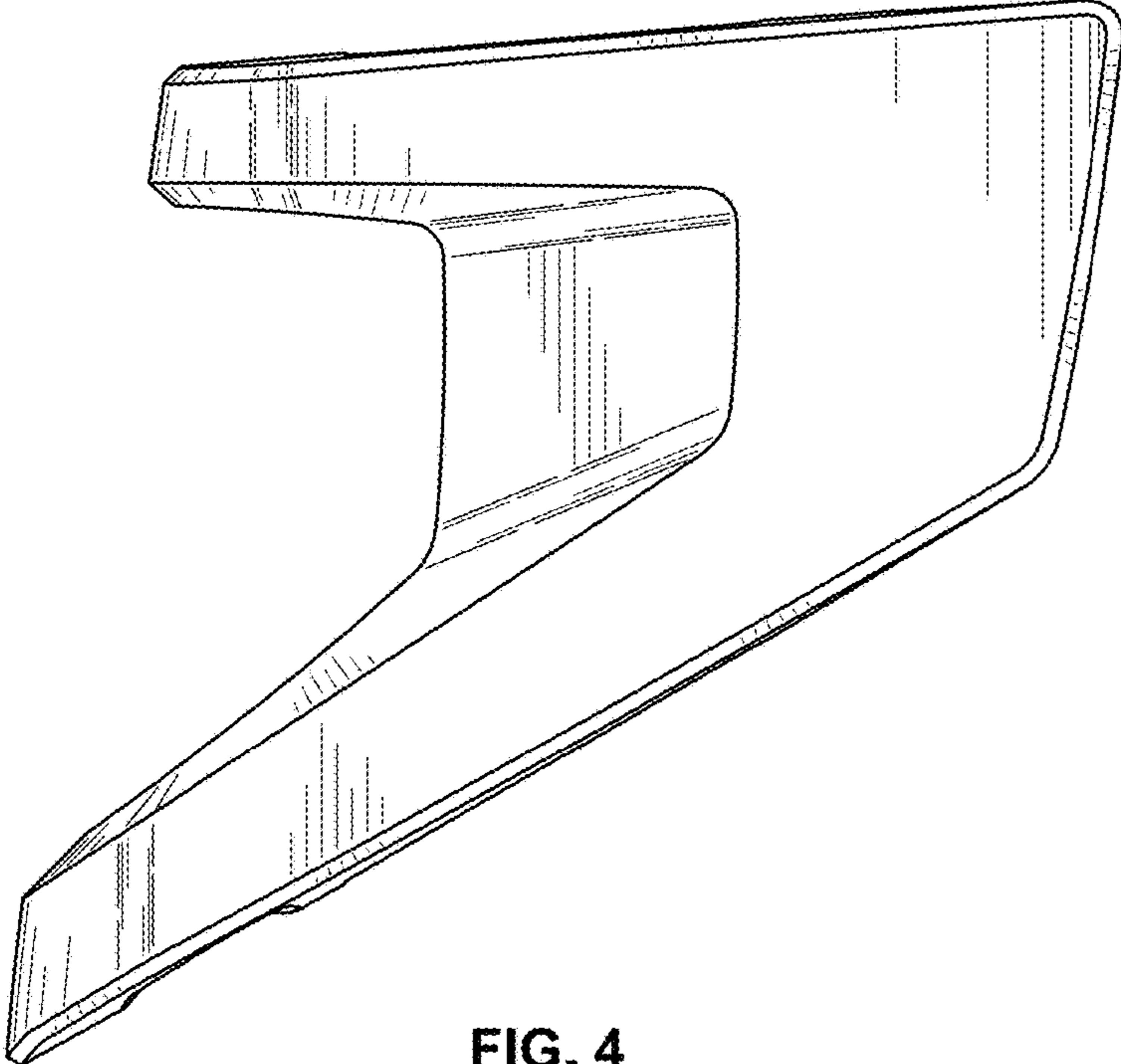


FIG. 4

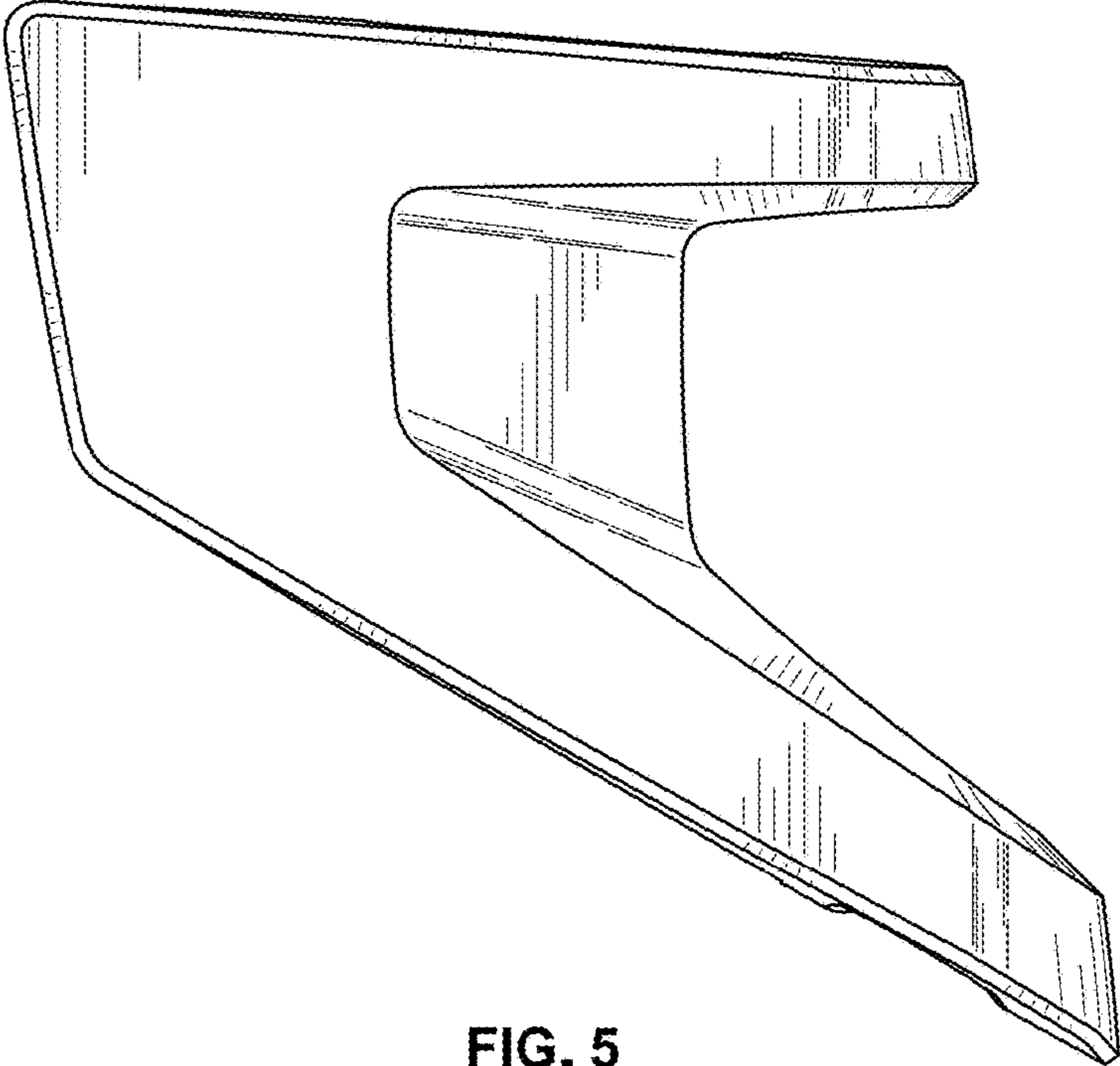


FIG. 5

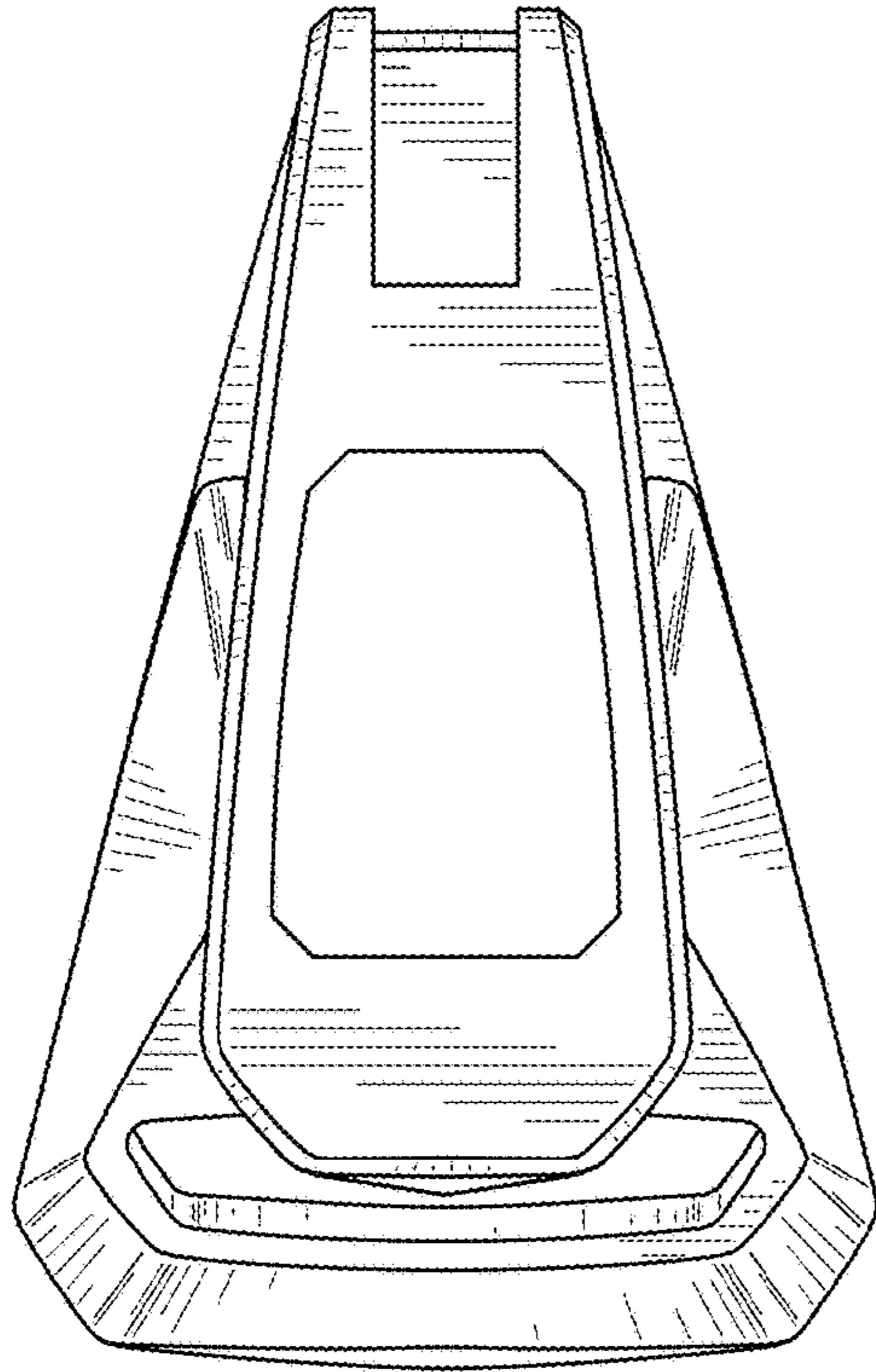


FIG. 6

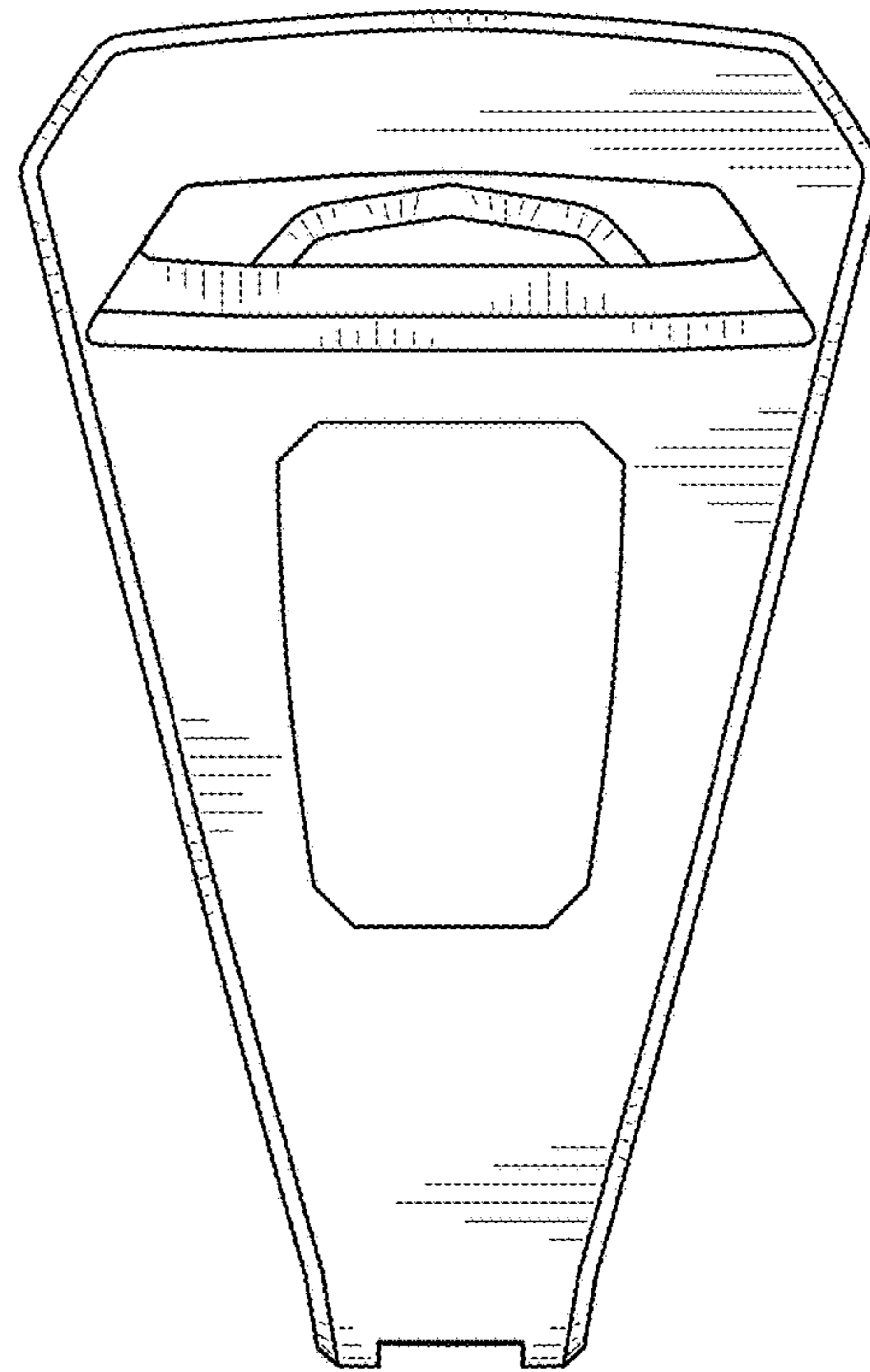


FIG. 7