

US00D834806S

(12) **United States Design Patent**  
**Spafford**

(10) **Patent No.:** **US D834,806 S**

(45) **Date of Patent:** **\*\* Dec. 4, 2018**

- (54) **UMBRELLA STAND**
- (71) Applicant: **TailBrella, LLC**, Alcoa, TN (US)
- (72) Inventor: **Jamie Wayne Spafford**, Alcoa, TN (US)
- (73) Assignee: **TailBrella, LLC**, Alcoa, TN (US)
- (\*\*) Term: **15 Years**
- (21) Appl. No.: **29/600,302**
- (22) Filed: **Apr. 11, 2017**
- (51) **LOC (11) Cl.** ..... **03-03**
- (52) **U.S. Cl.**  
USPC ..... **D3/10**
- (58) **Field of Classification Search**  
USPC ..... D3/5, 10; D6/672, 675.2, 677.2, 681,  
D6/681.1, 682, 682.1, 552  
CPC ..... A47G 25/12; A47G 33/12; E04H 12/22;  
E04H 12/2261; E04H 12/122269; E04H  
12/2276; G09F 2017/0066  
See application file for complete search history.

(56) **References Cited**

U.S. PATENT DOCUMENTS

- 4,519,409 A \* 5/1985 Kinney ..... E04H 15/06  
135/88.08
- 5,374,024 A \* 12/1994 Williams ..... G09F 7/18  
116/173
- 5,634,482 A \* 6/1997 Martin ..... E04H 12/2269  
135/114
- 5,857,741 A \* 1/1999 Anderson ..... A47B 83/02  
108/44
- 5,911,399 A \* 6/1999 Mannion ..... E04H 12/2238  
135/88.06
- 5,950,617 A \* 9/1999 Lorenz ..... B60R 9/06  
108/44
- 6,082,269 A \* 7/2000 Padberg ..... B60R 9/06  
108/44

- 6,089,246 A \* 7/2000 Barnes ..... A45B 11/00  
135/117
- 6,189,458 B1 \* 2/2001 Rivera ..... B60N 3/001  
108/150
- D439,559 S \* 3/2001 Caro ..... D12/400
- 6,227,517 B1 \* 5/2001 Wohl ..... B60D 1/36  
248/694
- 6,305,394 B1 \* 10/2001 Reese ..... A45B 11/00  
135/20.1
- 6,412,506 B1 7/2002 Reese
- 6,511,088 B2 \* 1/2003 Kahlstorf ..... B60D 1/075  
224/521
- 6,607,002 B2 8/2003 Reese
- 6,722,380 B1 \* 4/2004 Hafer ..... B60R 9/06  
135/16

(Continued)

*Primary Examiner* — John Windmuller  
*Assistant Examiner* — Steven J Czyz  
(74) *Attorney, Agent, or Firm* — Pitts & Lake, P.C.

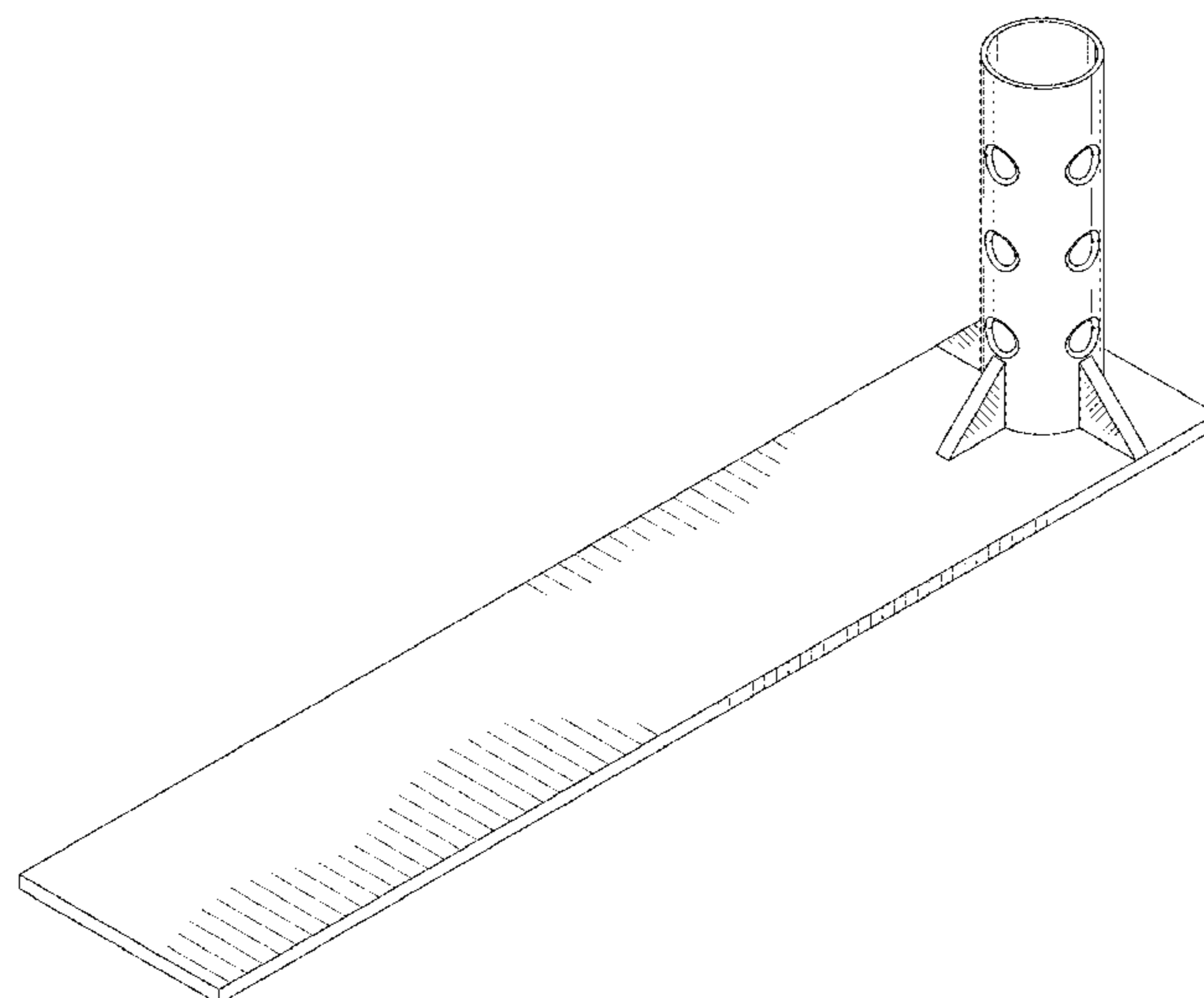
(57) **CLAIM**

I claim the ornamental design for an umbrella stand, as shown and described.

**DESCRIPTION**

FIG. 1 is a perspective view of an umbrella stand of the present invention;  
FIG. 2 is a side elevation view the umbrella stand of FIG. 1;  
FIG. 3 is a top view of the umbrella stand of FIG. 1;  
FIG. 4 is a bottom elevation view of the umbrella stand of FIG. 1;  
FIG. 5 is a front elevation view of the umbrella stand of FIG. 1; and,  
FIG. 6 is a rear elevation view of the umbrella stand of FIG. 1.  
The features of the umbrella stand shown in broken lines are for illustrative purposes only and form no part of the claimed design.

**1 Claim, 4 Drawing Sheets**



(56)

**References Cited**

U.S. PATENT DOCUMENTS

7,264,218	B1 *	9/2007	Edwards	.....	F16M 11/16 135/16
7,334,593	B2 *	2/2008	Avery	.....	A45B 1/00 108/50.12
7,568,491	B2 *	8/2009	Banfill	.....	E04H 15/06 135/117
7,819,128	B2 *	10/2010	Clark	.....	A45B 11/00 135/16
8,123,190	B2 *	2/2012	Kost	.....	A45B 11/00 135/88.08
D655,531	S *	3/2012	Gharst	.....	D3/10
D685,315	S *	7/2013	Hayes	.....	D12/415
8,485,207	B1 *	7/2013	Boyington	.....	E04H 15/06 135/16
8,561,960	B2 *	10/2013	Sinclair	.....	B62D 33/0621 135/88.08
9,493,962	B2 *	11/2016	Eddy	.....	E04H 12/2261
D796,416	S *	9/2017	Spafford	.....	D12/400
D809,774	S *	2/2018	Brady	.....	D3/10
9,890,551	B1 *	2/2018	Delao	.....	E04H 12/2215
2005/0241546	A1	11/2005	Royse		
2006/0162622	A1	7/2006	Fisher		
2006/0254635	A1	11/2006	Matheus et al.		

\* cited by examiner

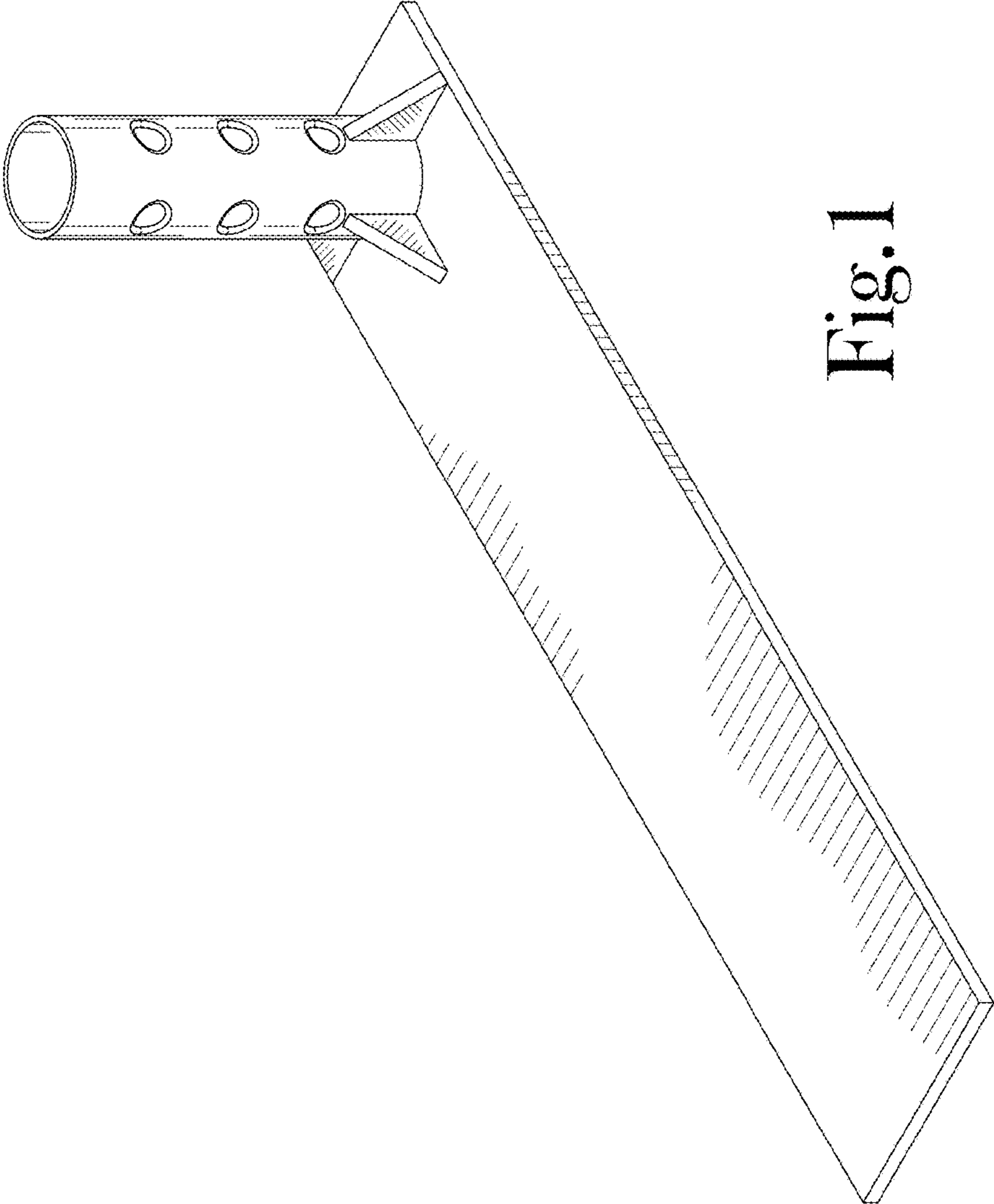


Fig. 1

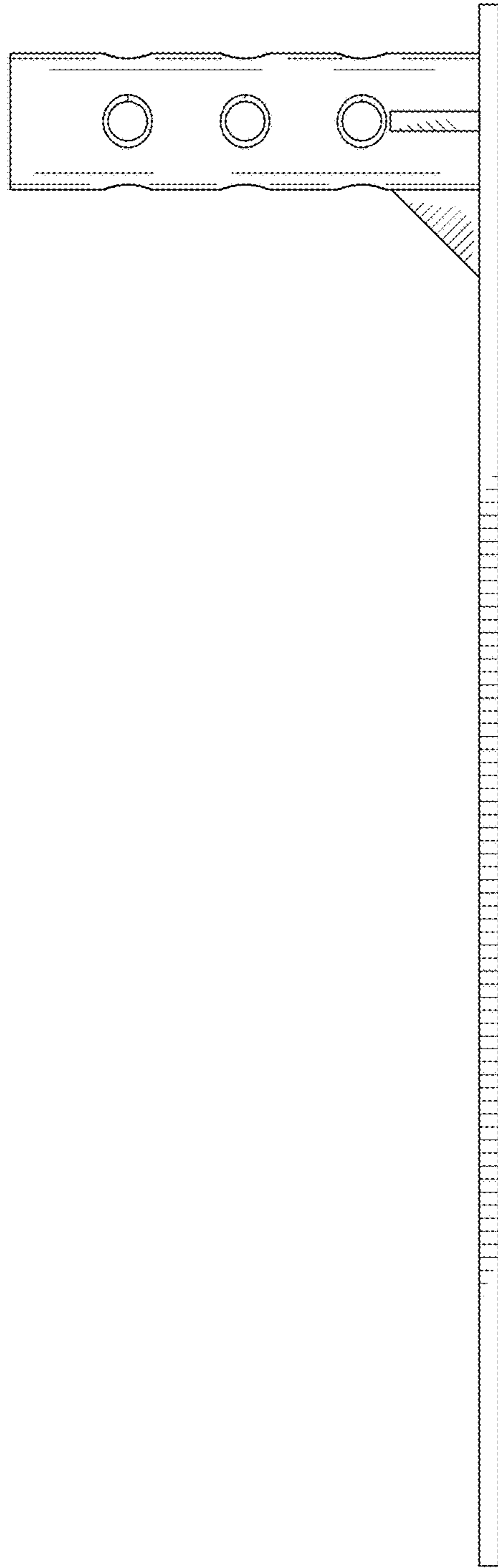


Fig. 2

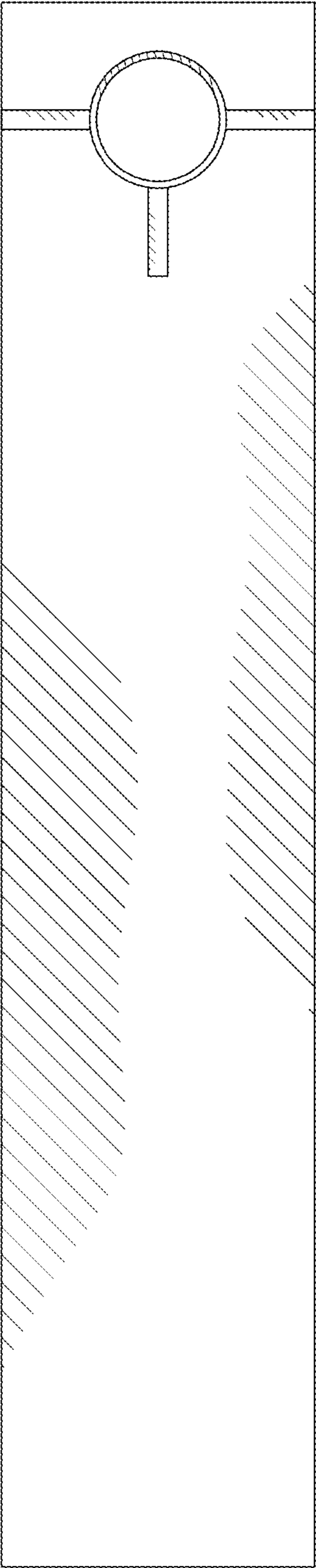


Fig. 3

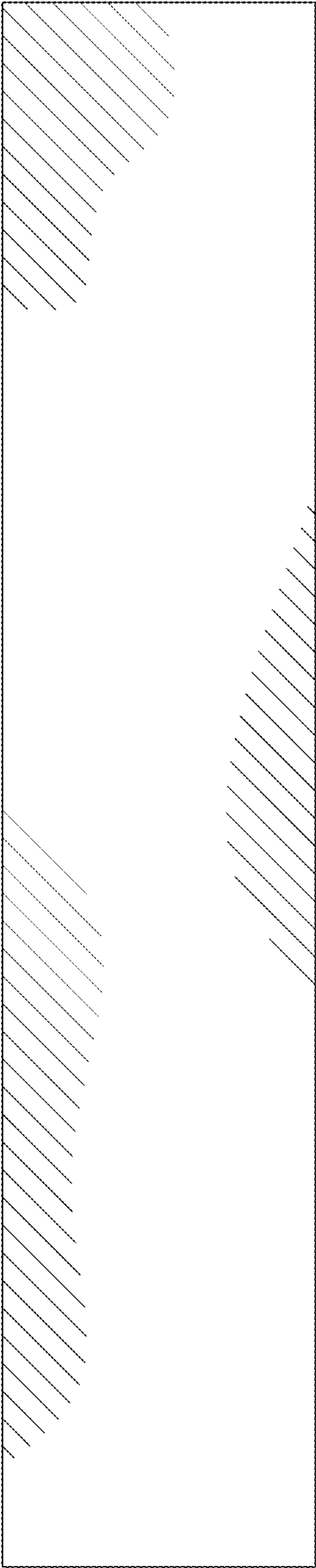


Fig. 4

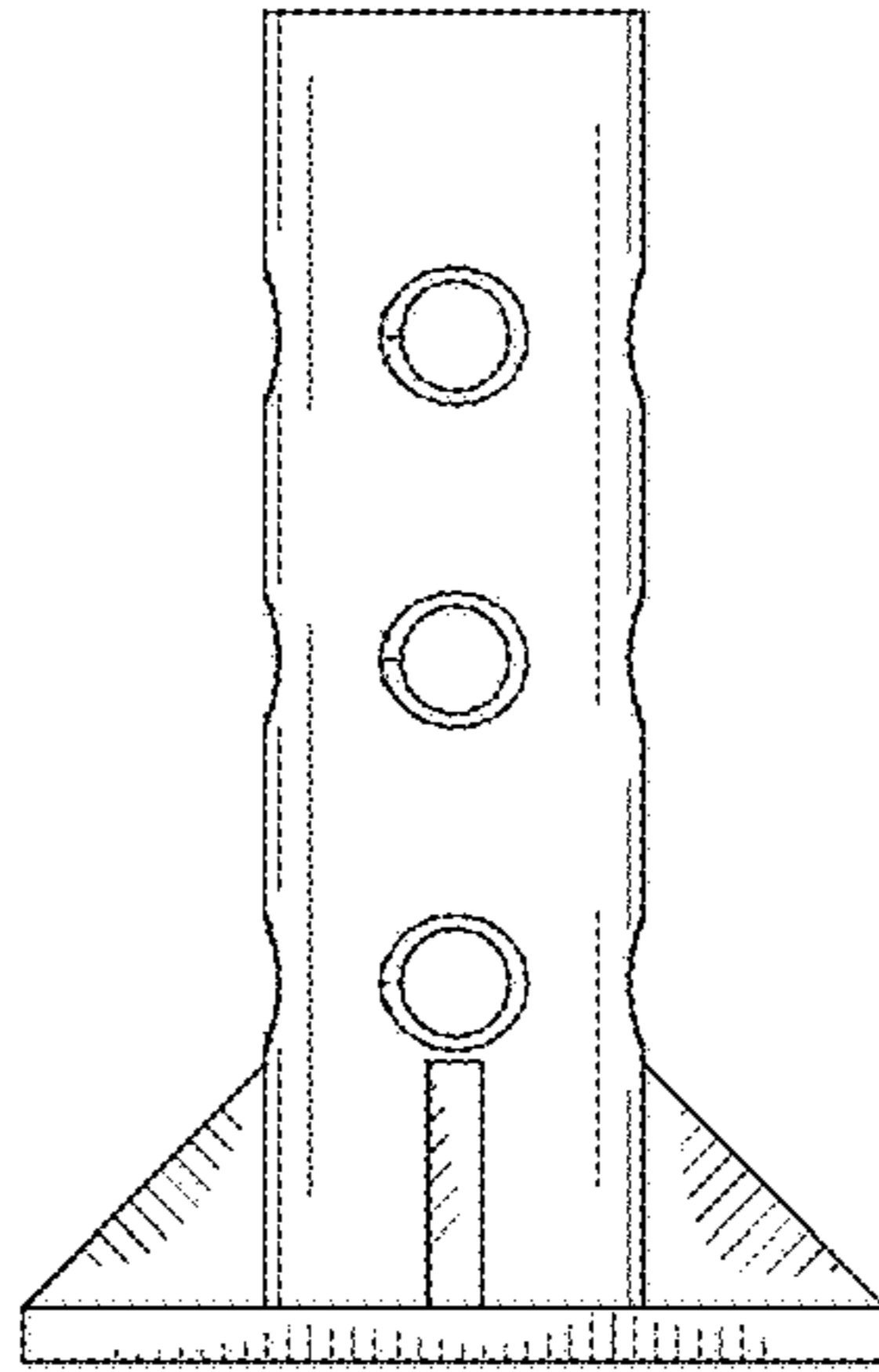


Fig.5

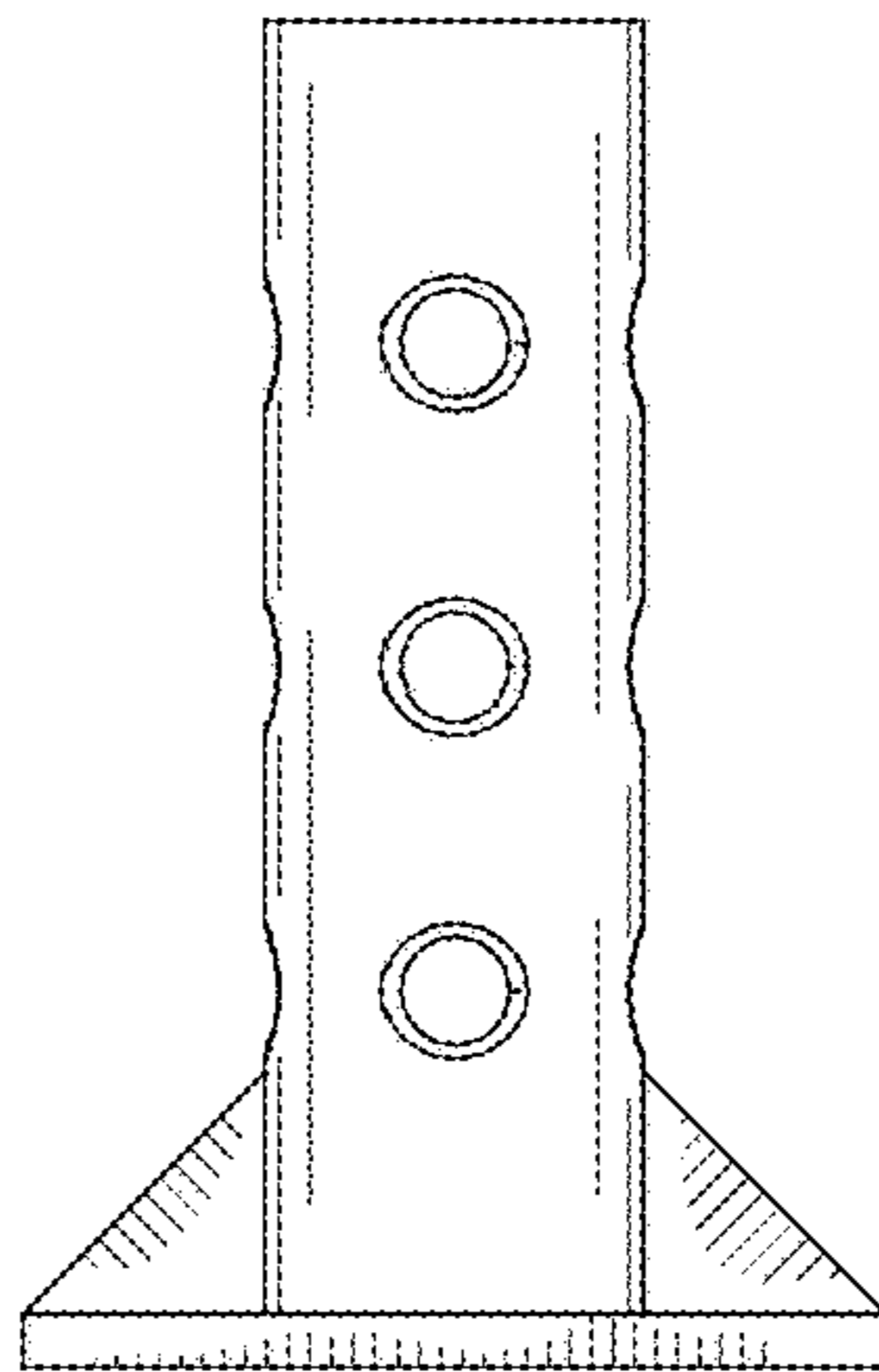


Fig.6