



US00D834787S

(12) **United States Design Patent** (10) **Patent No.:** **US D834,787 S**
Picot (45) **Date of Patent:** **** Dec. 4, 2018**

(54) **GARMENT**

(71) Applicant: **Bimla Picot**, New York, NY (US)

(72) Inventor: **Bimla Picot**, New York, NY (US)

(73) Assignee: **Bimla Picot**, New York, NY (US)

(**) Term: **15 Years**

(21) Appl. No.: **29/575,043**

(22) Filed: **Aug. 22, 2016**

Related U.S. Application Data

(63) Continuation-in-part of application No. 14/333,250, filed on Jul. 16, 2014.

(51) **LOC (11) Cl.** **02-02**

(52) **U.S. Cl.**
USPC **D2/840**

(58) **Field of Classification Search**
USPC D2/720, 717, 840

(Continued)

(56) **References Cited**

U.S. PATENT DOCUMENTS

302,901 A * 8/1884 Fenne A41D 13/1236
2/114
1,489,046 A * 4/1924 Thompson A41B 9/08
2/114

(Continued)

Primary Examiner — Kevin K Rudzinski

(74) *Attorney, Agent, or Firm* — Dority & Manning, P.A.

(57) **CLAIM**

The ornamental design for a garment, as shown and described.

DESCRIPTION

FIG. 1 is a front view of a garment showing my new design; FIG. 2 is a front view of the garment with the main zipper fully unzipped;

FIG. 3 is a front view of the garment with the main zipper partially unzipped and the right shoulder zipper unzipped from the collar to the sleeve edge;

FIG. 4 is a front view of the garment with the main zipper partially unzipped and both shoulder zippers unzipped from the collar to their respective sleeve edges;

FIG. 5 is a right side view of the garment;

FIG. 6 is a right side view of the garment with the shoulder zipper unzipped from the collar to the sleeve edge;

FIG. 7 is a right side view of the garment with the shoulder zipper partially unzipped from the sleeve edge;

FIG. 8 is a right side view of the garment with the shoulder zipper partially unzipped from the sleeve edge and the collar;

FIG. 9 is a right side view of the garment with the shoulder zipper completely unzipped from the sleeve edge and the collar;

FIG. 10 is a left side view of the garment, a mirror of the right side of the garment;

FIG. 11 is a left side view of the garment with the side zipper partially unzipped from the bottom;

FIG. 12 is a left side view of the garment with the side zipper partially unzipped from the top;

FIG. 13 is a left side view of the garment with the side zipper partially unzipped from the top and bottom;

FIG. 14 is an enlarged detail of the bottom of the main zipper on the front of the garment;

FIG. 15 is an enlarged detail of the top of the main zipper on the front of the garment;

FIG. 16 is a rear view of the garment;

FIG. 17 is an enlarged detail of the rear view of the garment collar;

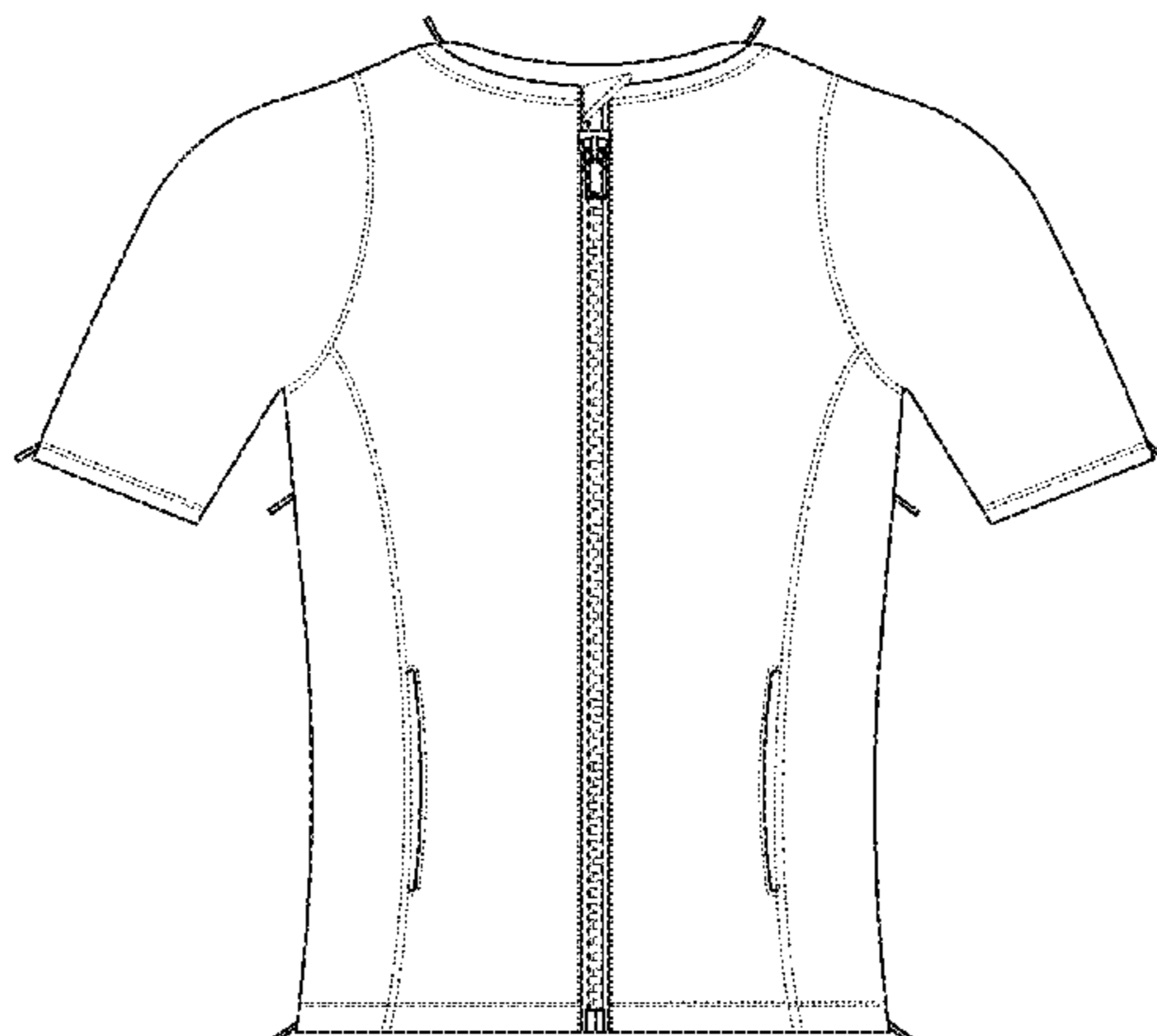
FIG. 18 is a rear view of the garment with both shoulders unzipped from the collar to their respective sleeve edges;

FIG. 19 is a top view of the garment; and,

FIG. 20 is a bottom view of the garments.

In the drawings, the broken lines and double broken lines depict environment and form no part of the claim.

1 Claim, 18 Drawing Sheets



(58) **Field of Classification Search**

CPC A41D 13/1236
 See application file for complete search history.

6,014,772 A * 1/2000 Connelly A41D 3/005
 2/102
 6,647,552 B1 11/2003 Hogan
 D490,214 S * 5/2004 Murray-Benoit D2/847
 6,792,621 B2 9/2004 Braun
 7,047,569 B1 * 5/2006 Mahon A41D 3/02
 2/111

(56) **References Cited**

U.S. PATENT DOCUMENTS

2,675,555 A * 4/1954 Peronto A41D 1/18
 2/105
 3,116,491 A * 1/1964 Previdi A41D 1/21
 2/106
 3,276,036 A 10/1966 Carter
 4,995,115 A 2/1991 Ellis
 5,097,535 A 3/1992 Dye
 5,553,323 A 9/1996 Chou et al.
 D374,970 S * 10/1996 Jagger D2/720
 5,564,123 A 10/1996 Grassick
 5,564,126 A 10/1996 Chou
 5,592,691 A 1/1997 Ronald
 5,611,087 A * 3/1997 Adkins A41D 13/1236
 2/114
 D381,488 S * 7/1997 Small D2/718
 5,717,999 A 2/1998 Lurry
 5,822,802 A 10/1998 Chou
 5,887,279 A 3/1999 Elting et al.
 5,991,923 A * 11/1999 Maria A41D 13/1236
 2/114

D530,885 S 10/2006 Barthel
 D560,879 S * 2/2008 Hines D2/840
 D571,079 S * 6/2008 Gay D2/717
 D584,483 S * 1/2009 Glynn D2/720
 D612,126 S * 3/2010 Milgrom D2/720
 D635,739 S * 4/2011 Toms D2/720
 7,987,524 B2 * 8/2011 Bower A41D 13/129
 2/106
 8,161,573 B1 4/2012 Burns-Cox
 D727,595 S * 4/2015 Lawson D2/743
 D736,498 S * 8/2015 Yadrich D2/840
 9,420,833 B2 * 8/2016 Jenkins B60N 2/265
 D797,409 S * 9/2017 Yadrich D2/840
 2003/0126668 A1 * 7/2003 Scroggins A41D 13/1236
 2/114
 2007/0199127 A1 8/2007 Coronado
 2009/0031464 A1 2/2009 Luc Gorby
 2010/0017933 A1 1/2010 Taylor-Barry
 2012/0017348 A1 1/2012 Ellsworth
 2012/0096622 A1 * 4/2012 Johnson A41D 15/00
 2/93
 2012/0117708 A1 5/2012 Trapani

* cited by examiner

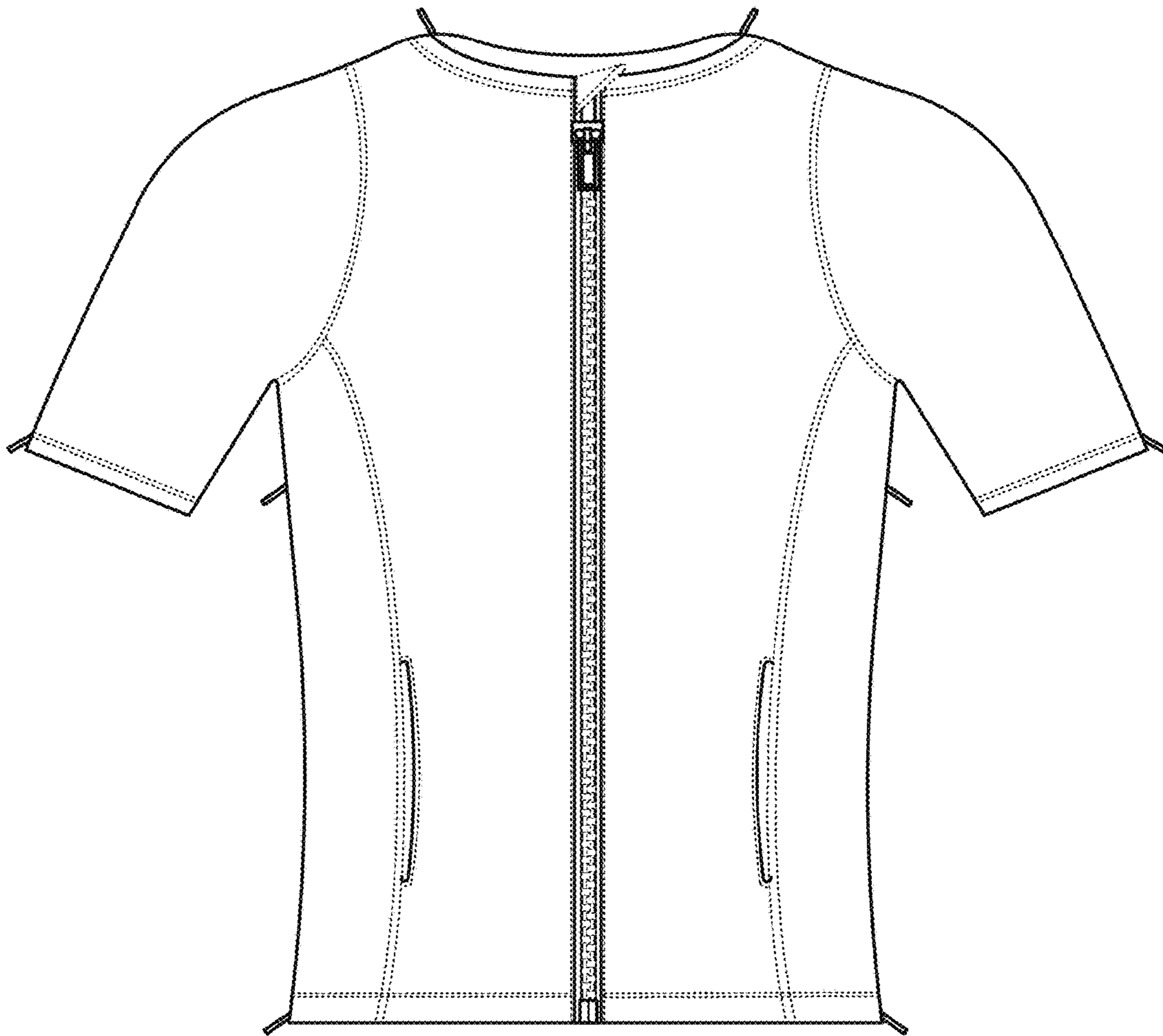


FIG. 1

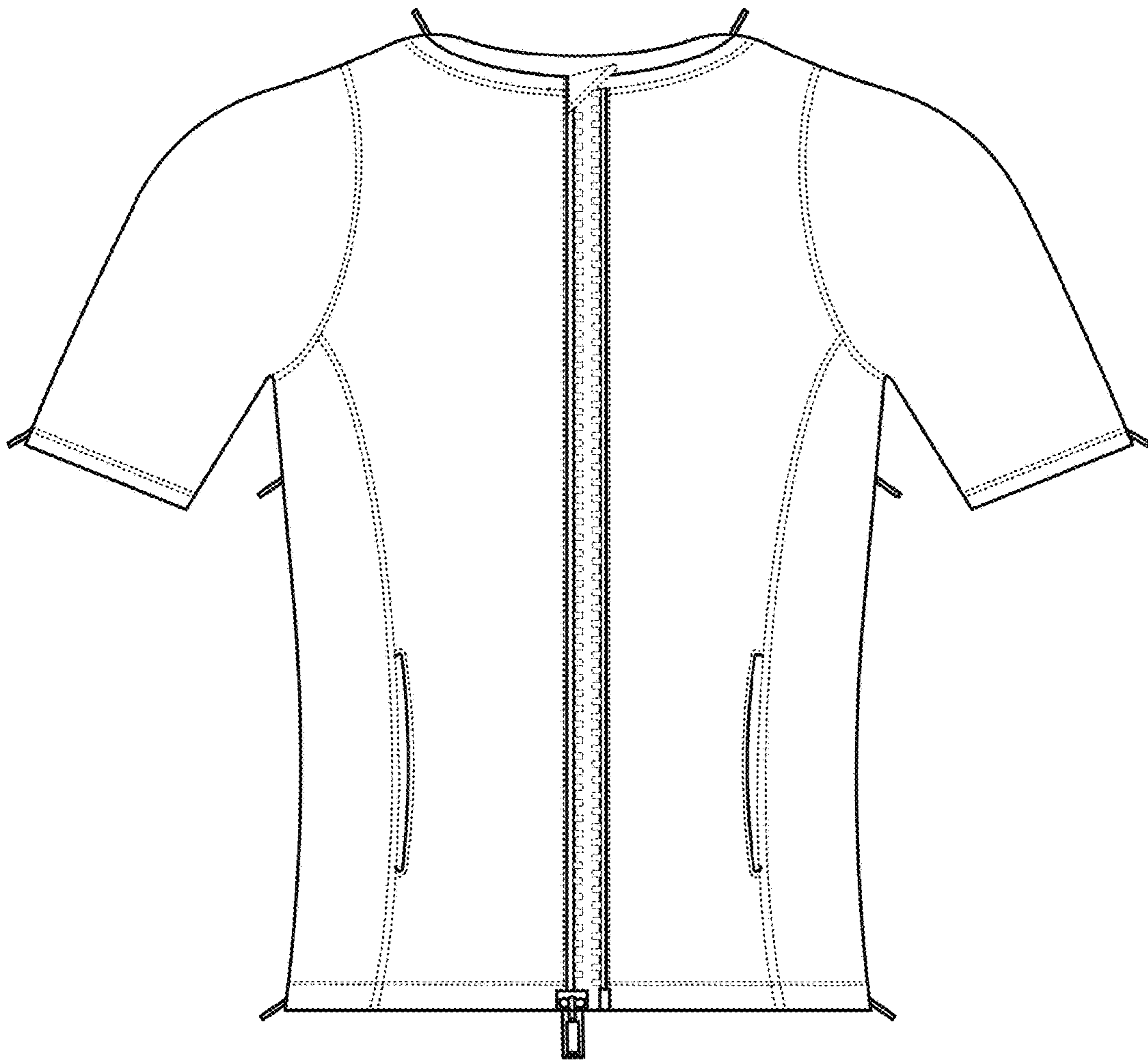


FIG. 2

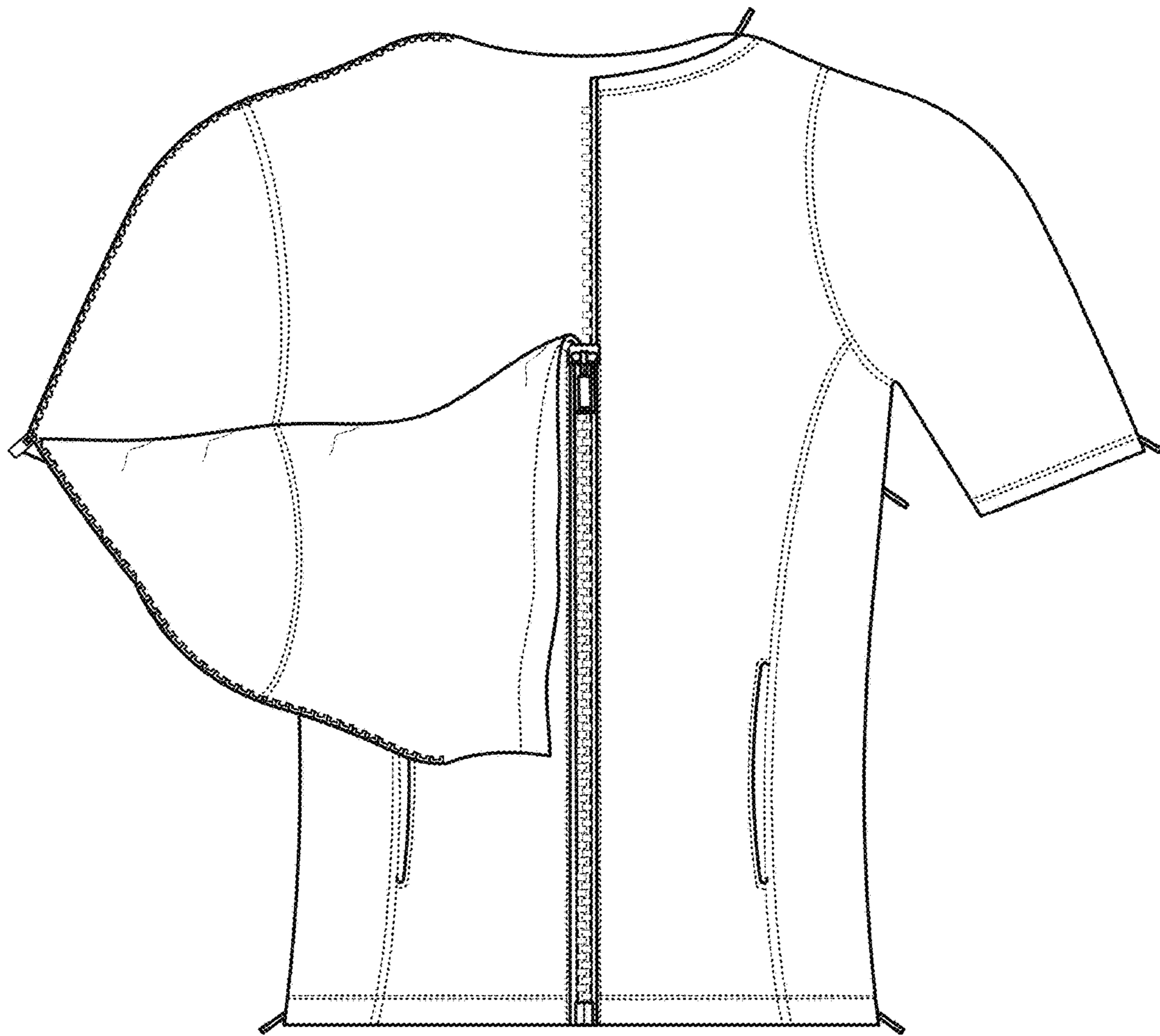


FIG. 3

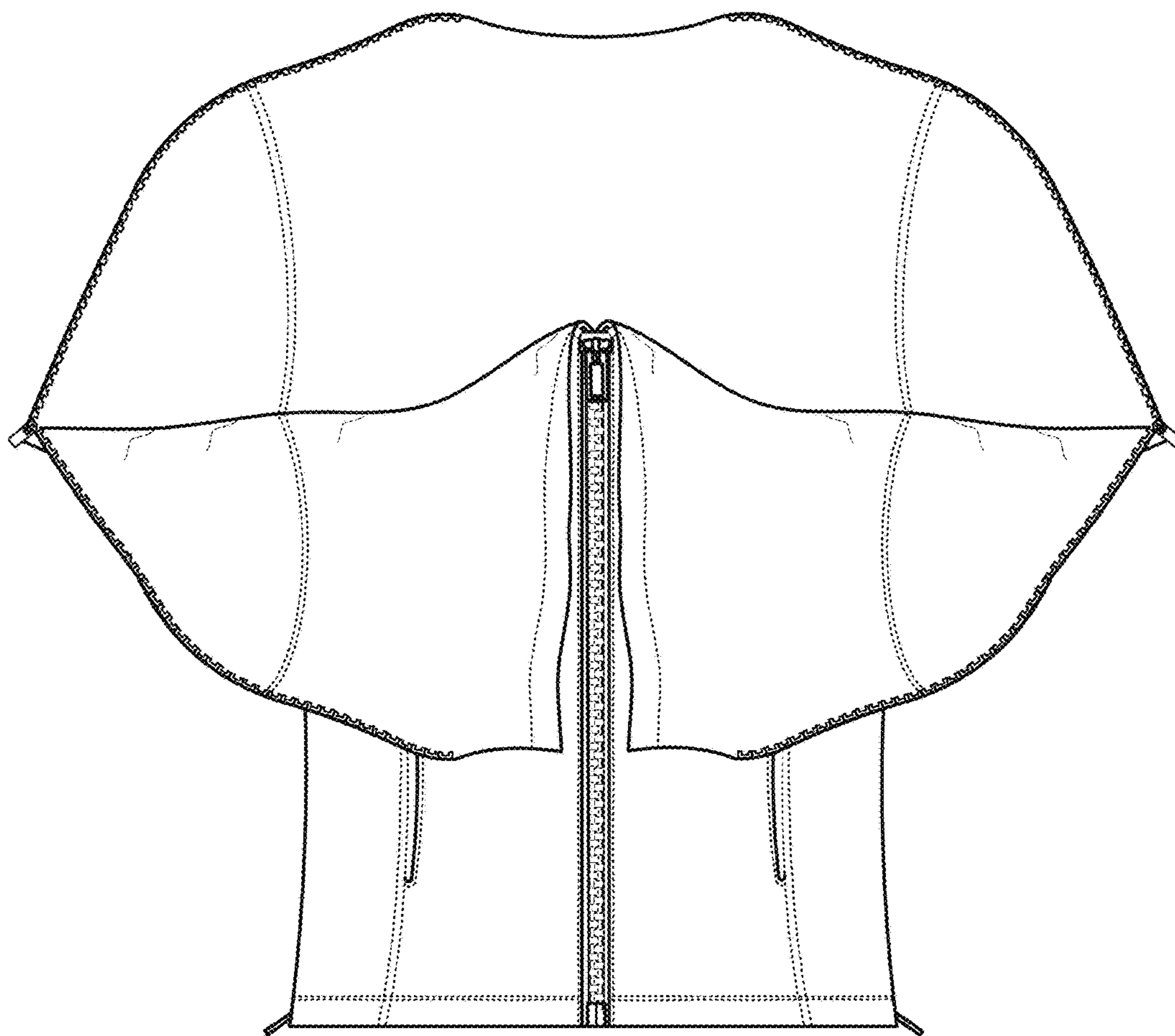


FIG. 4

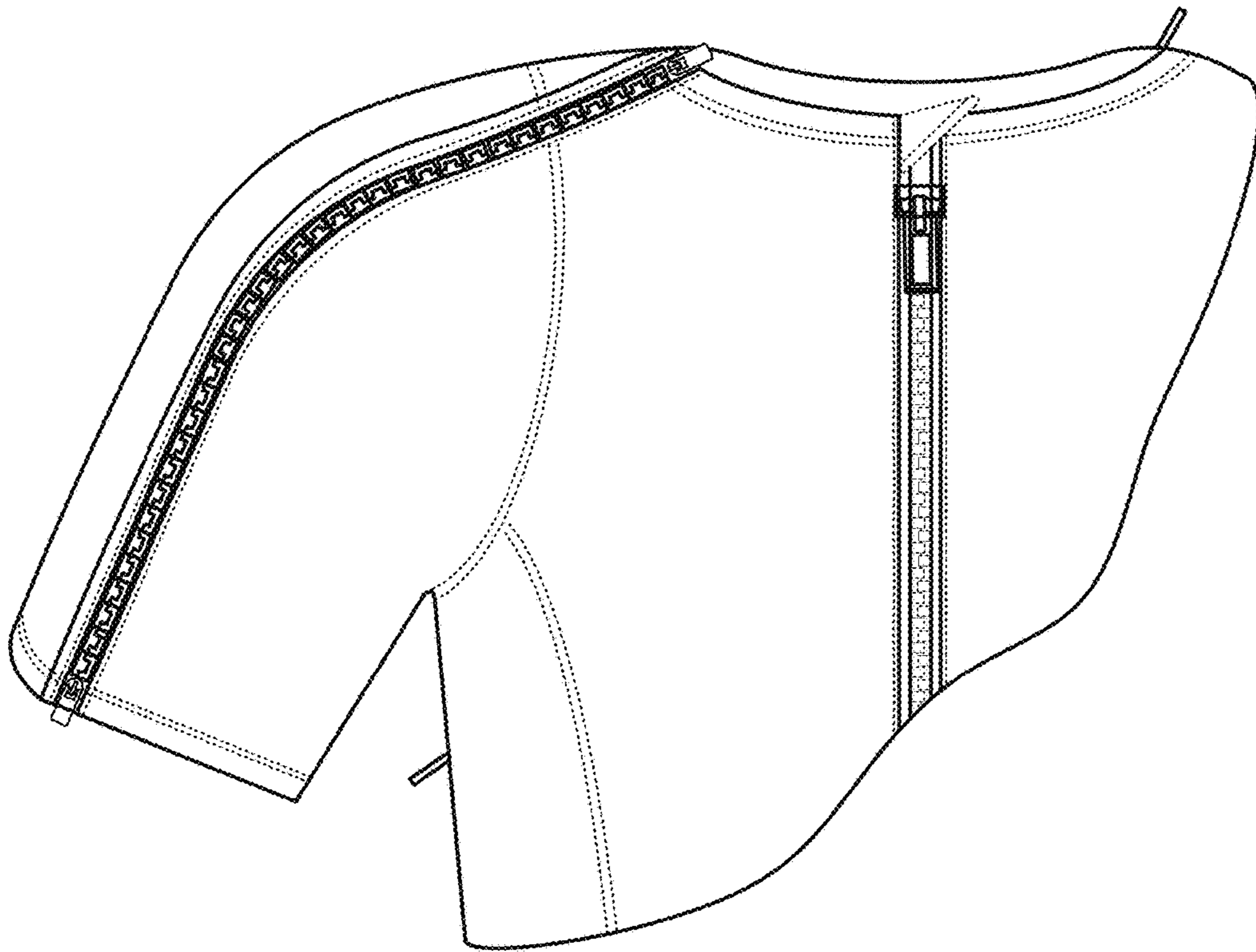


FIG. 5

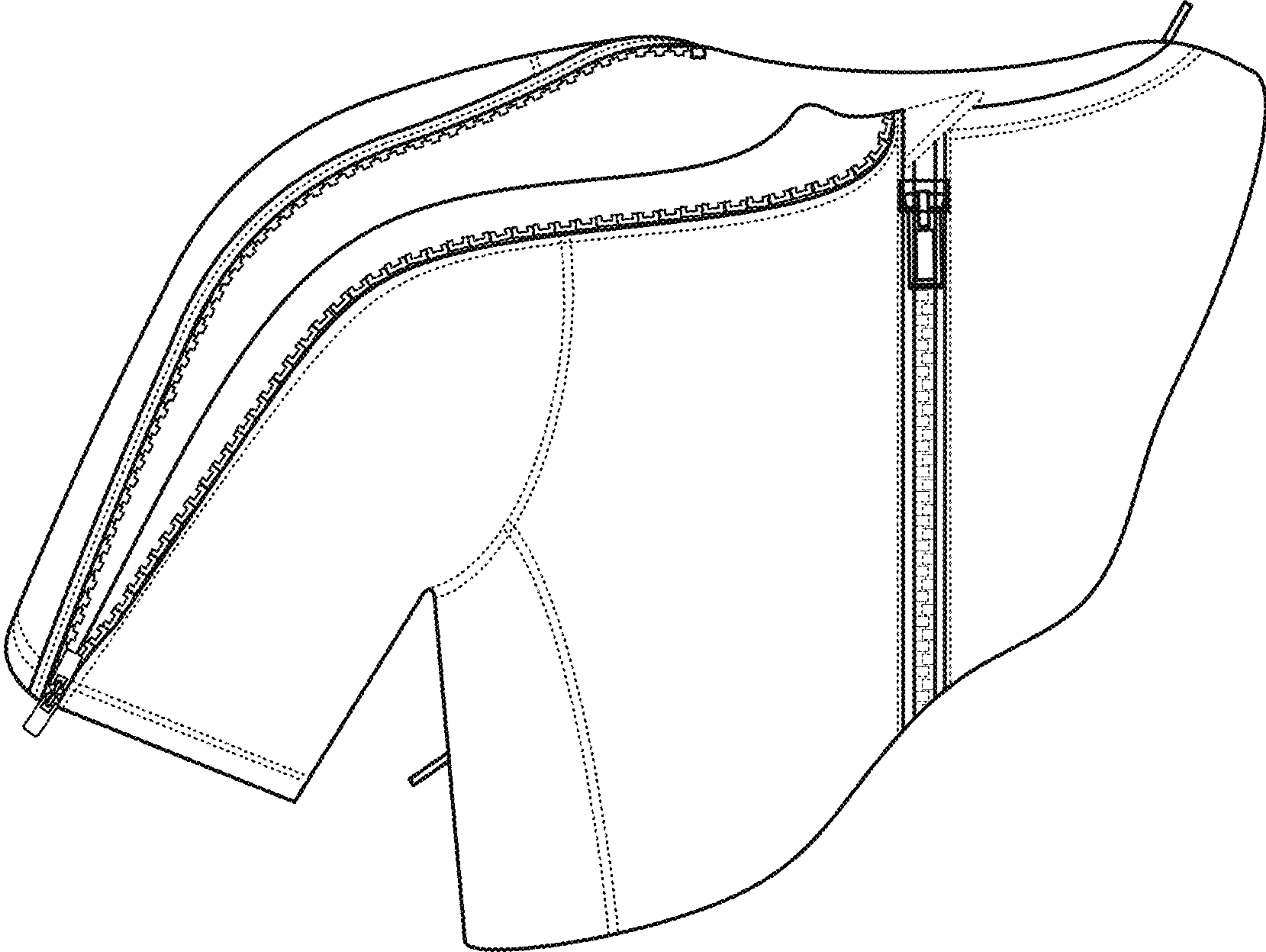


FIG. 6

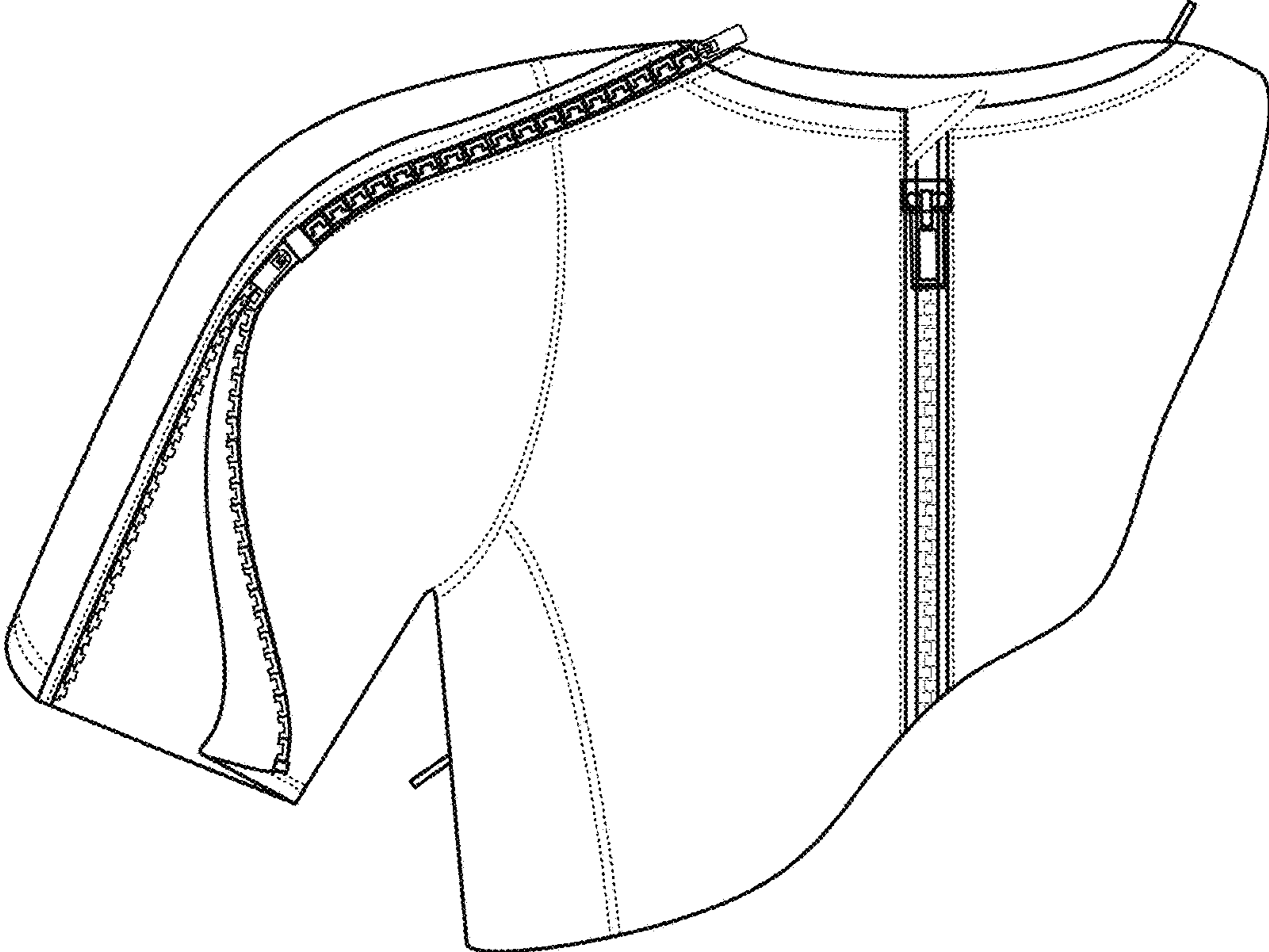


FIG. 7

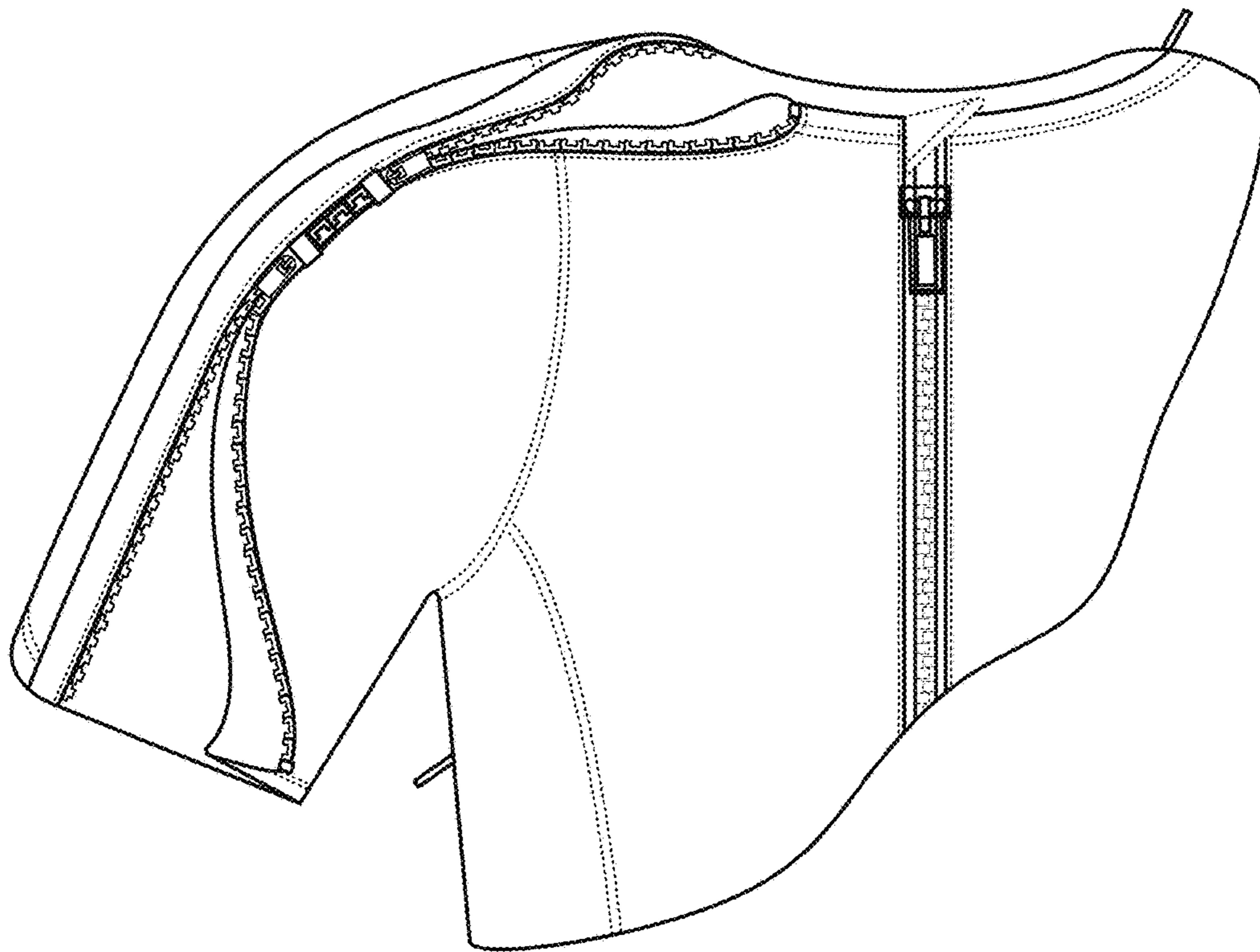


FIG. 8

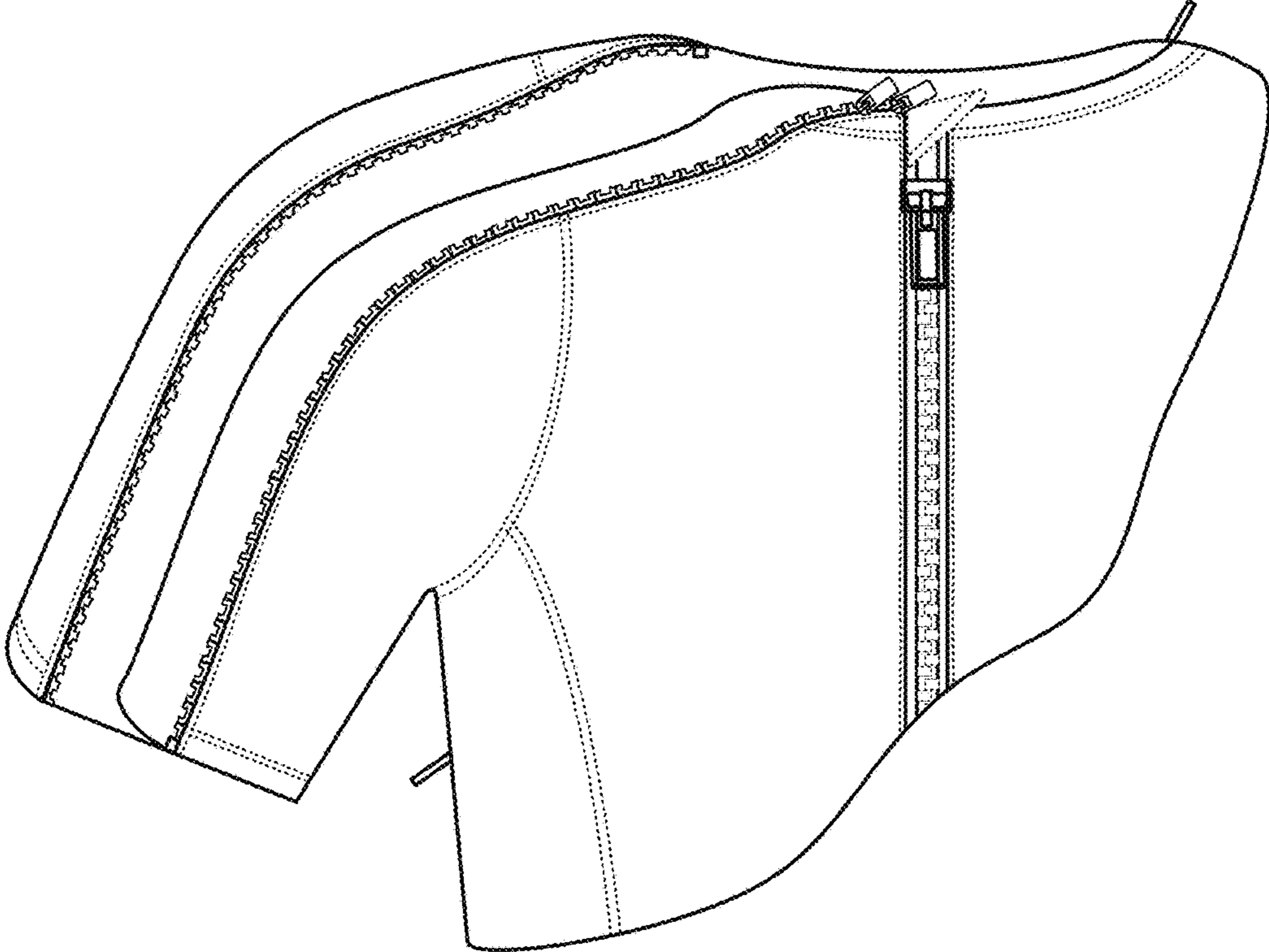


FIG. 9

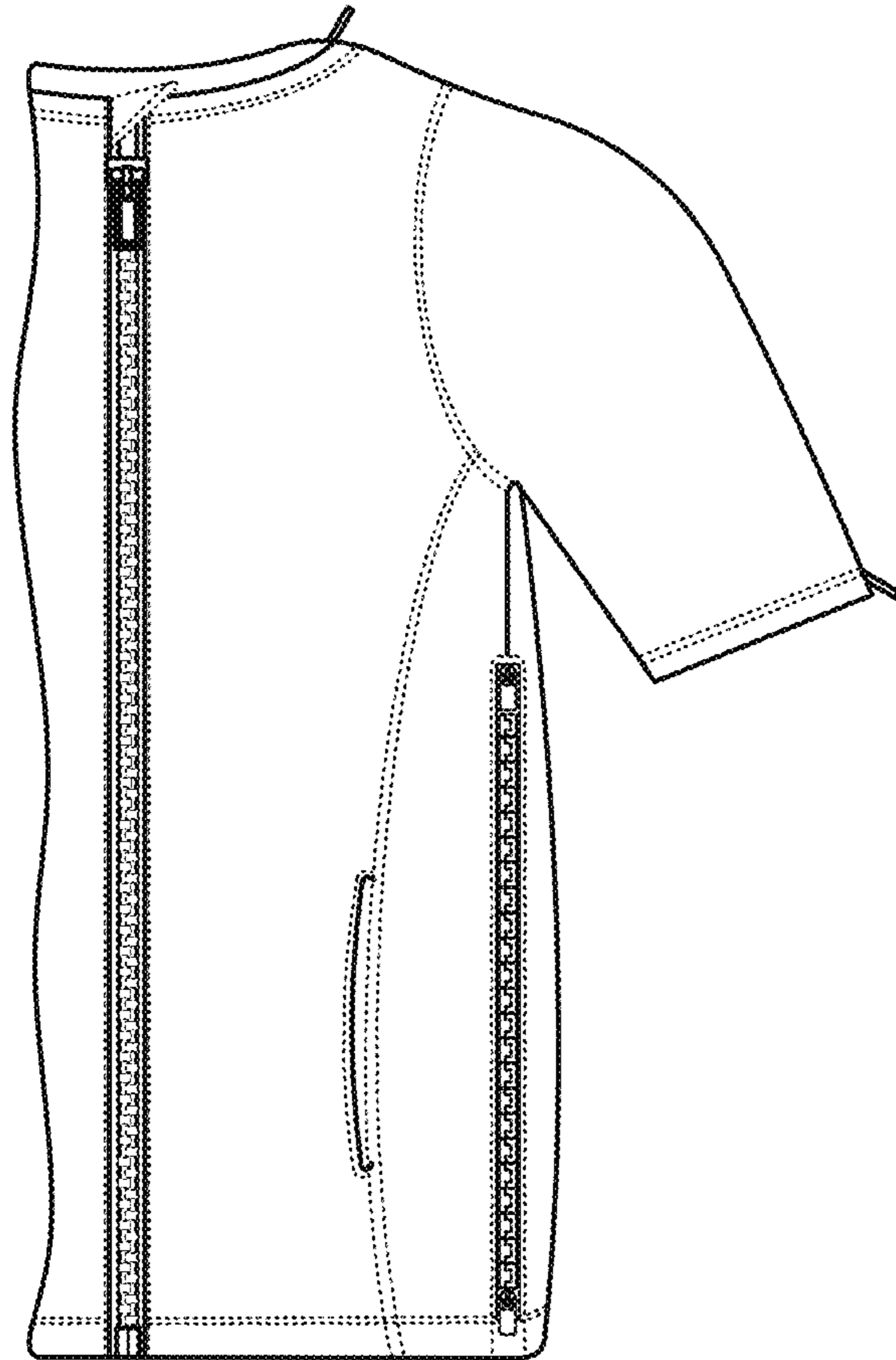


FIG. 10

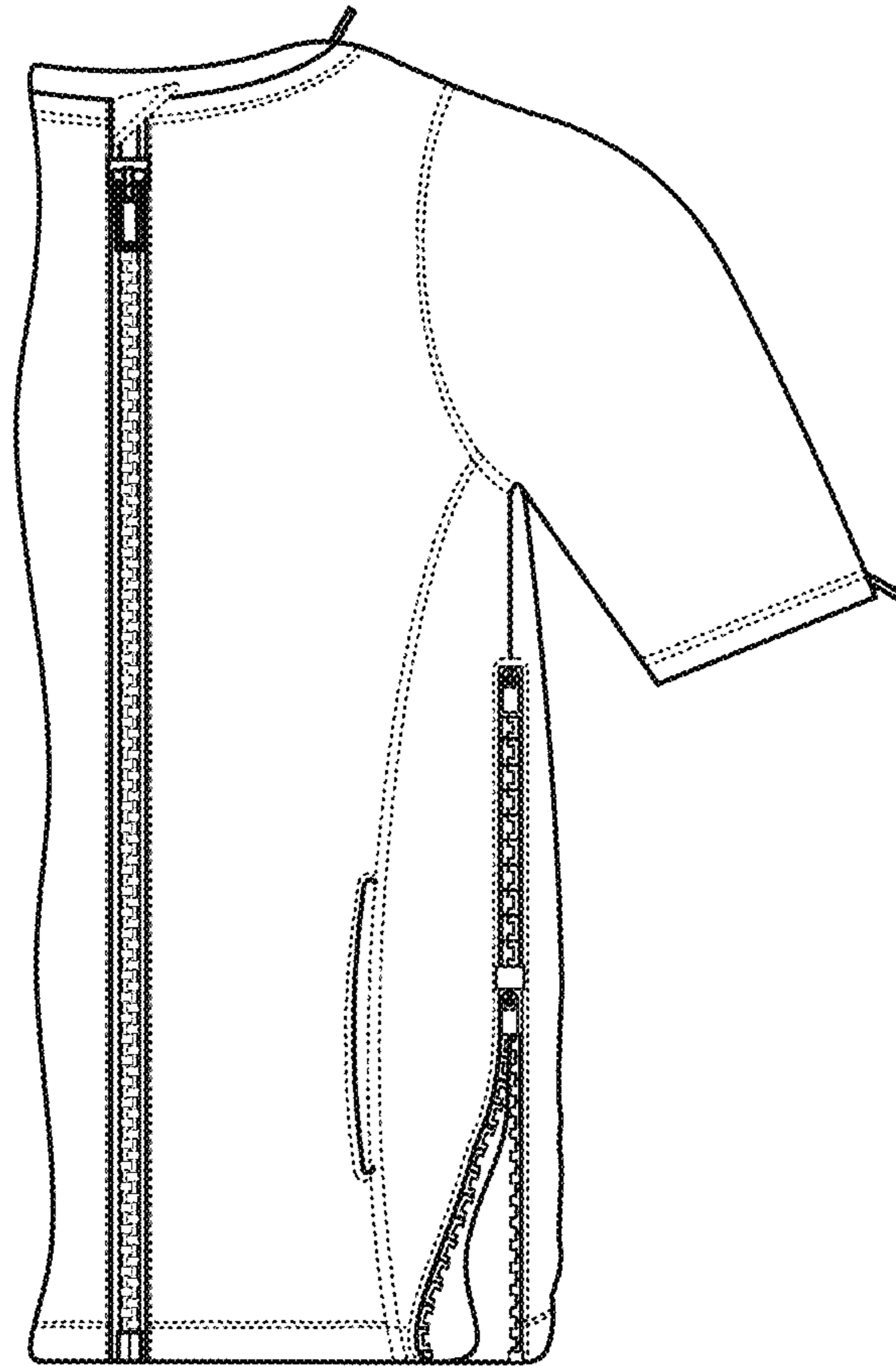


FIG. 11

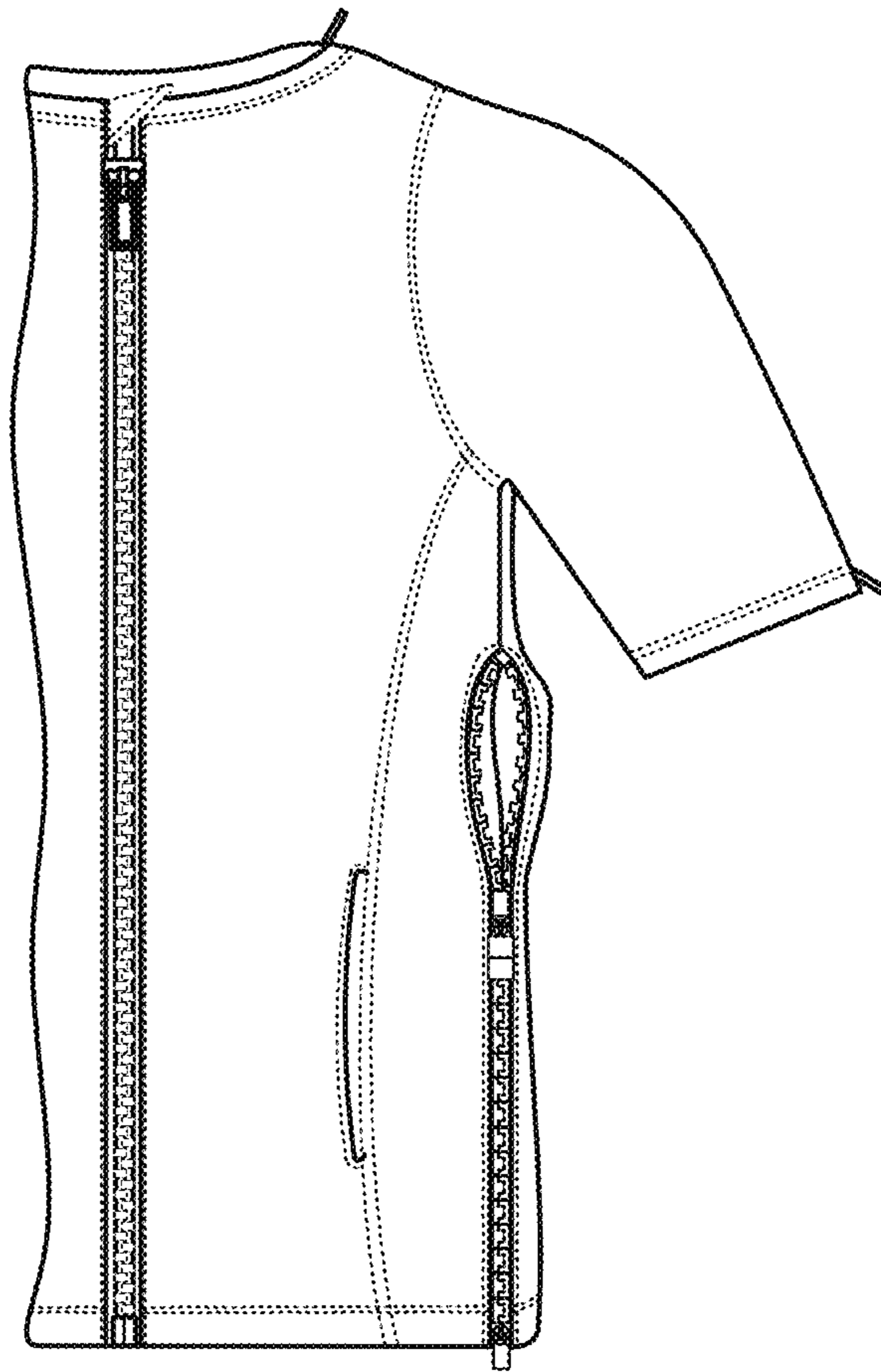


FIG. 12

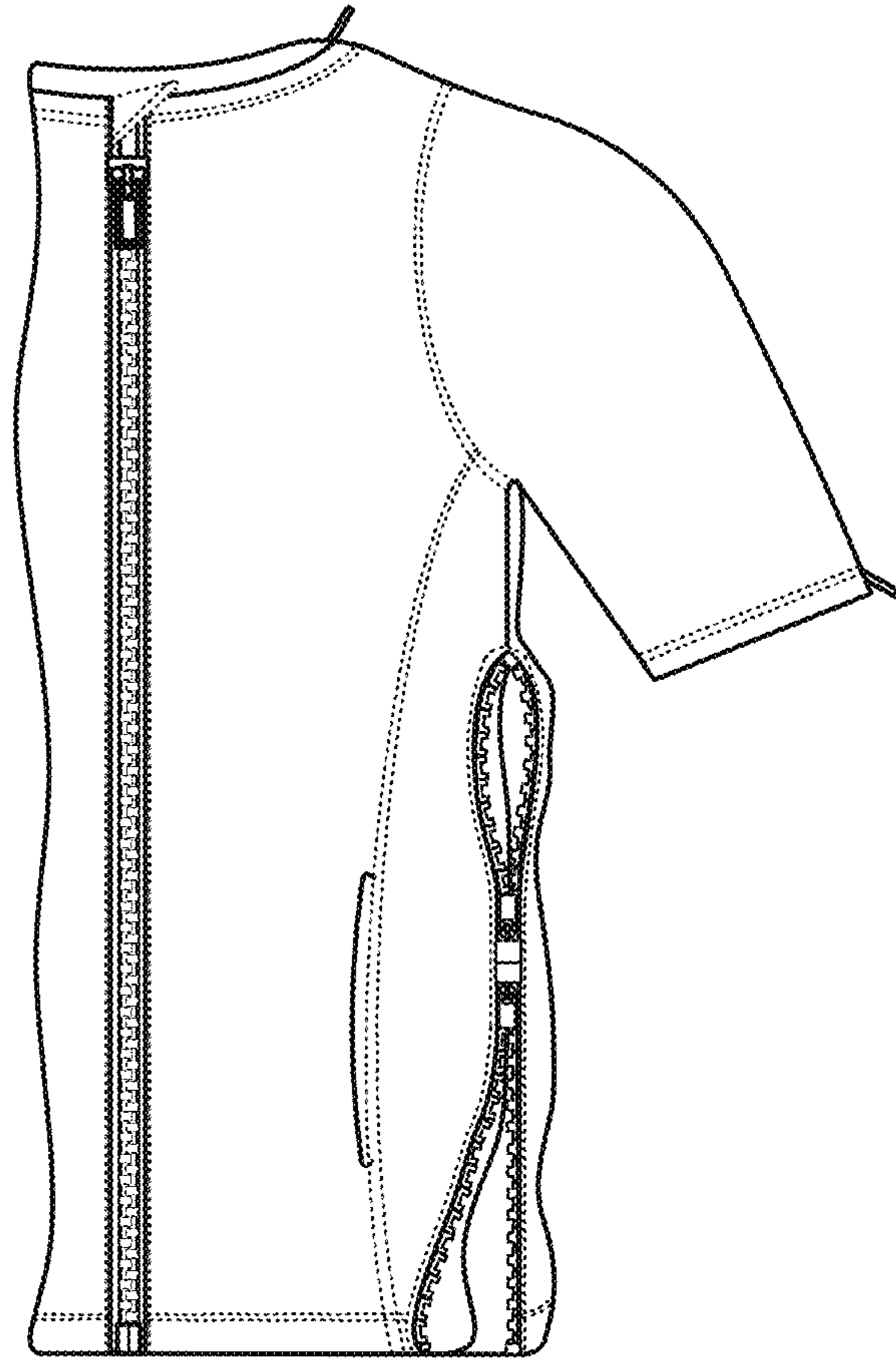


FIG. 13

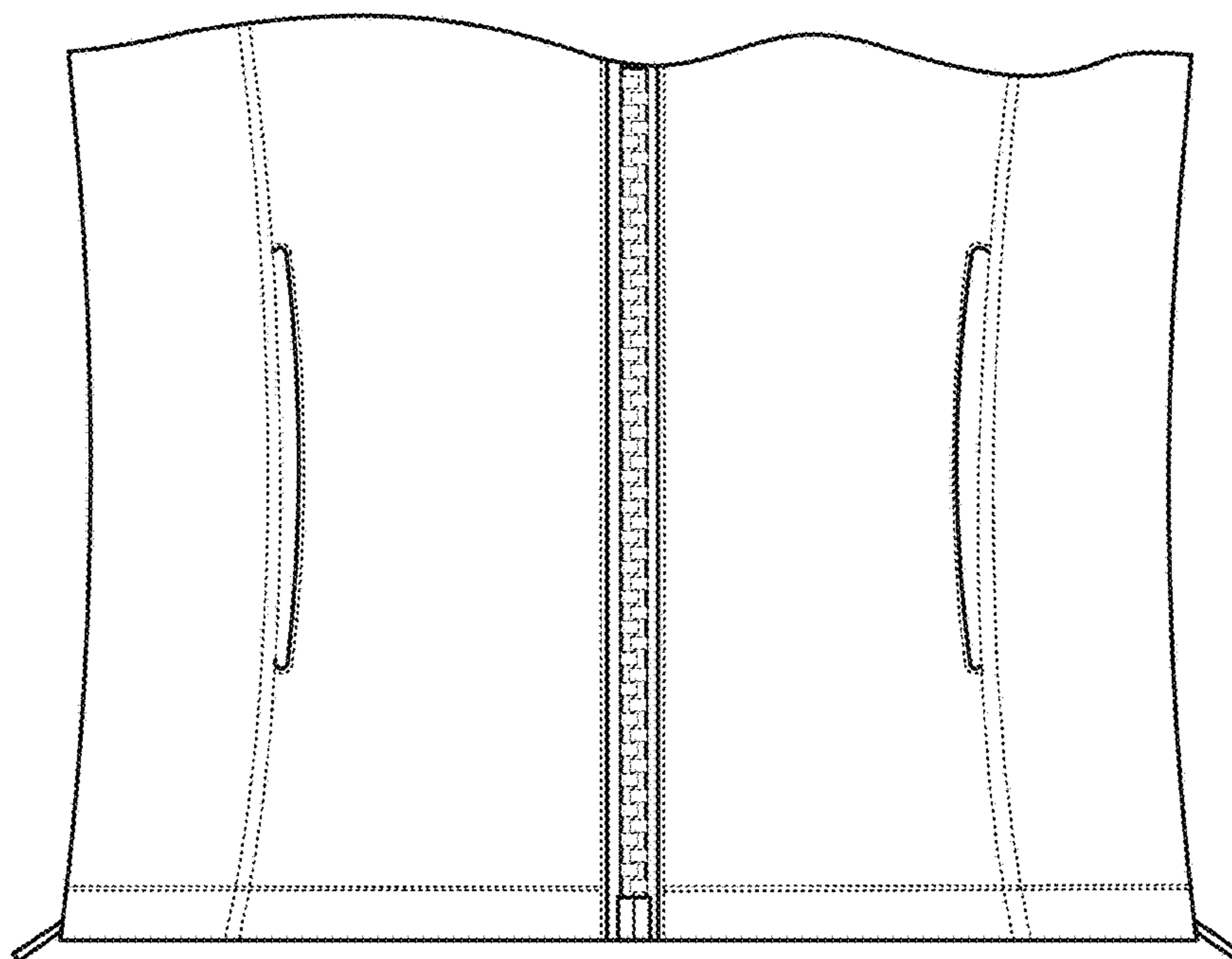


FIG. 14

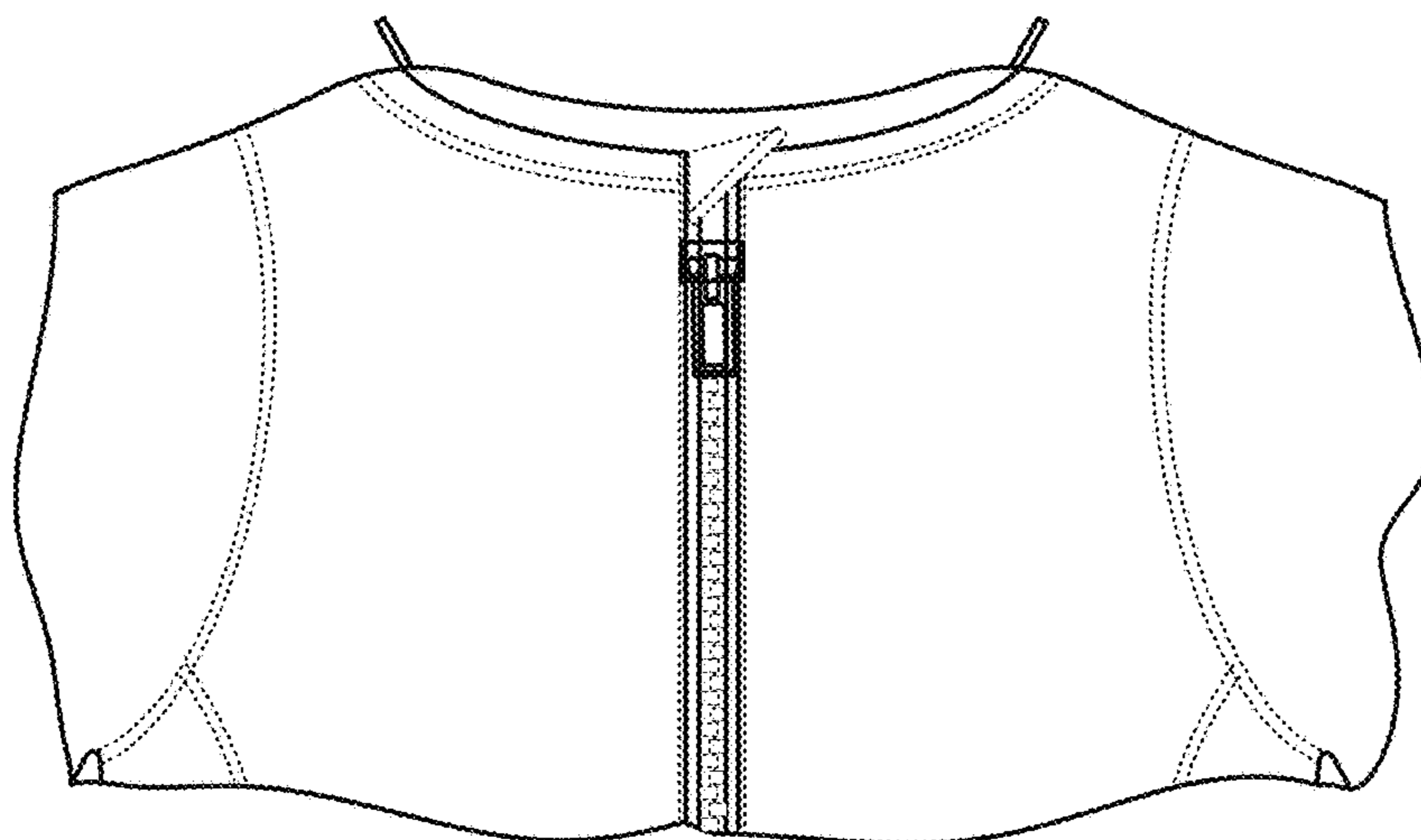


FIG. 15

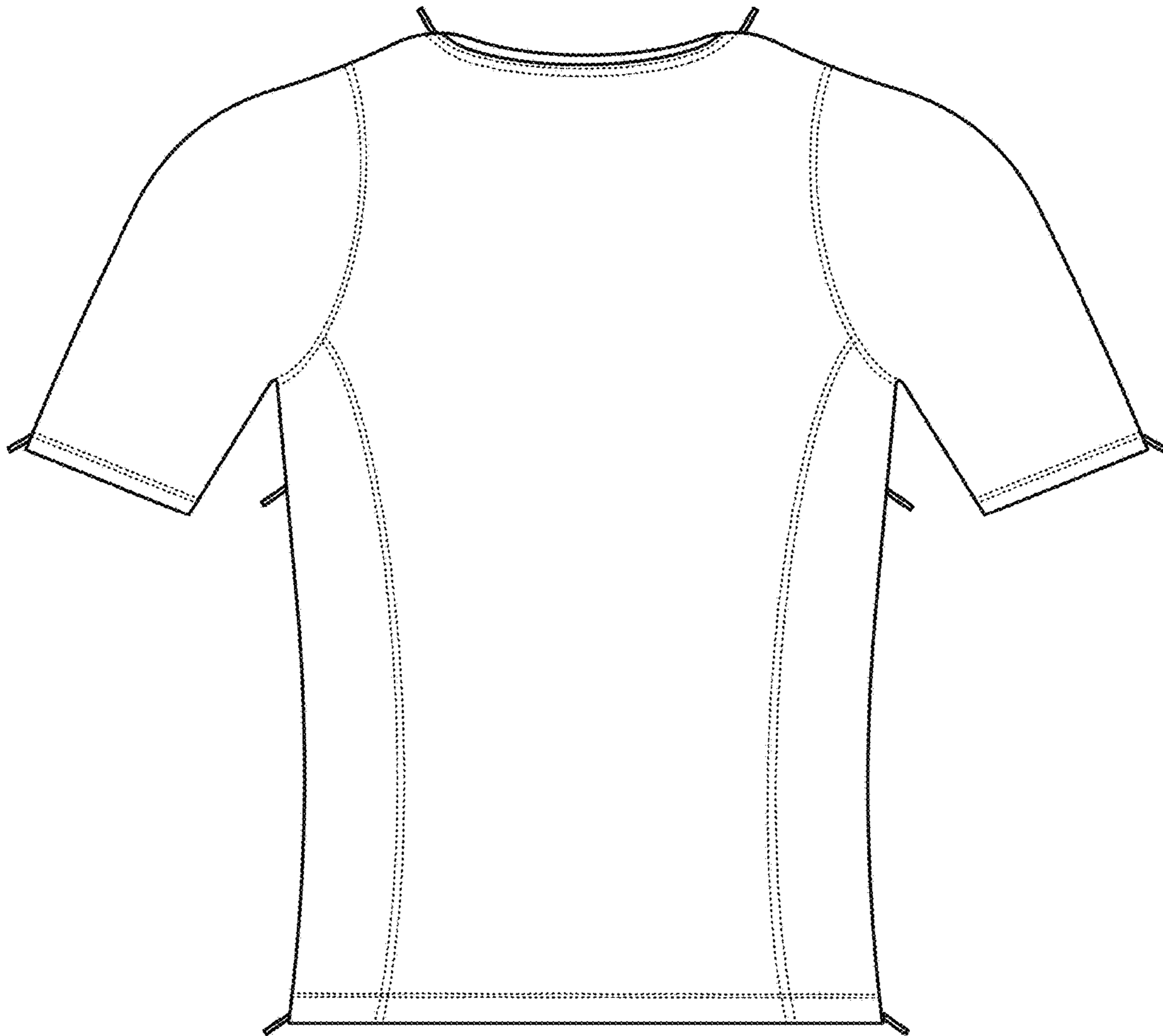


FIG. 16

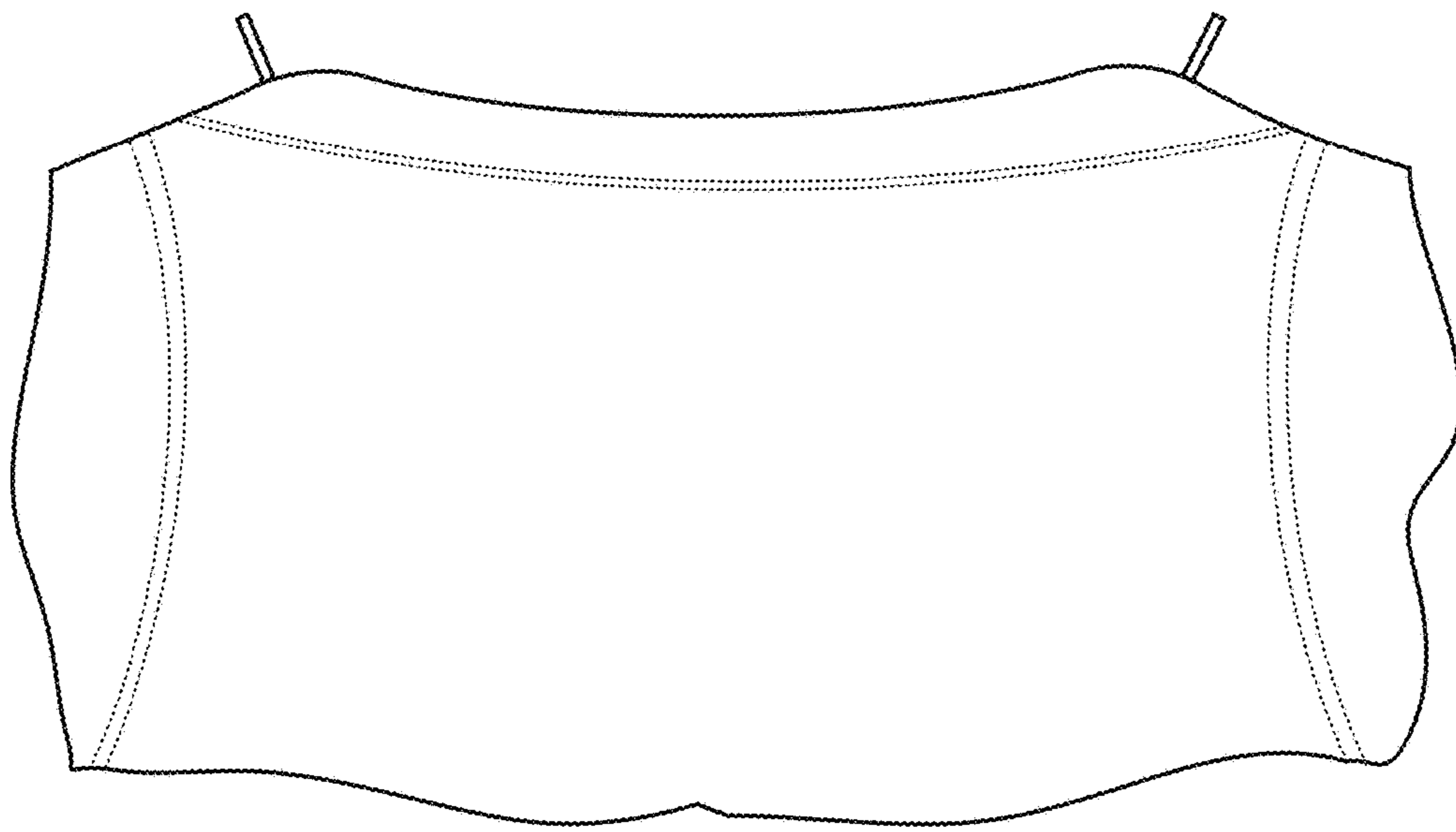


FIG. 17

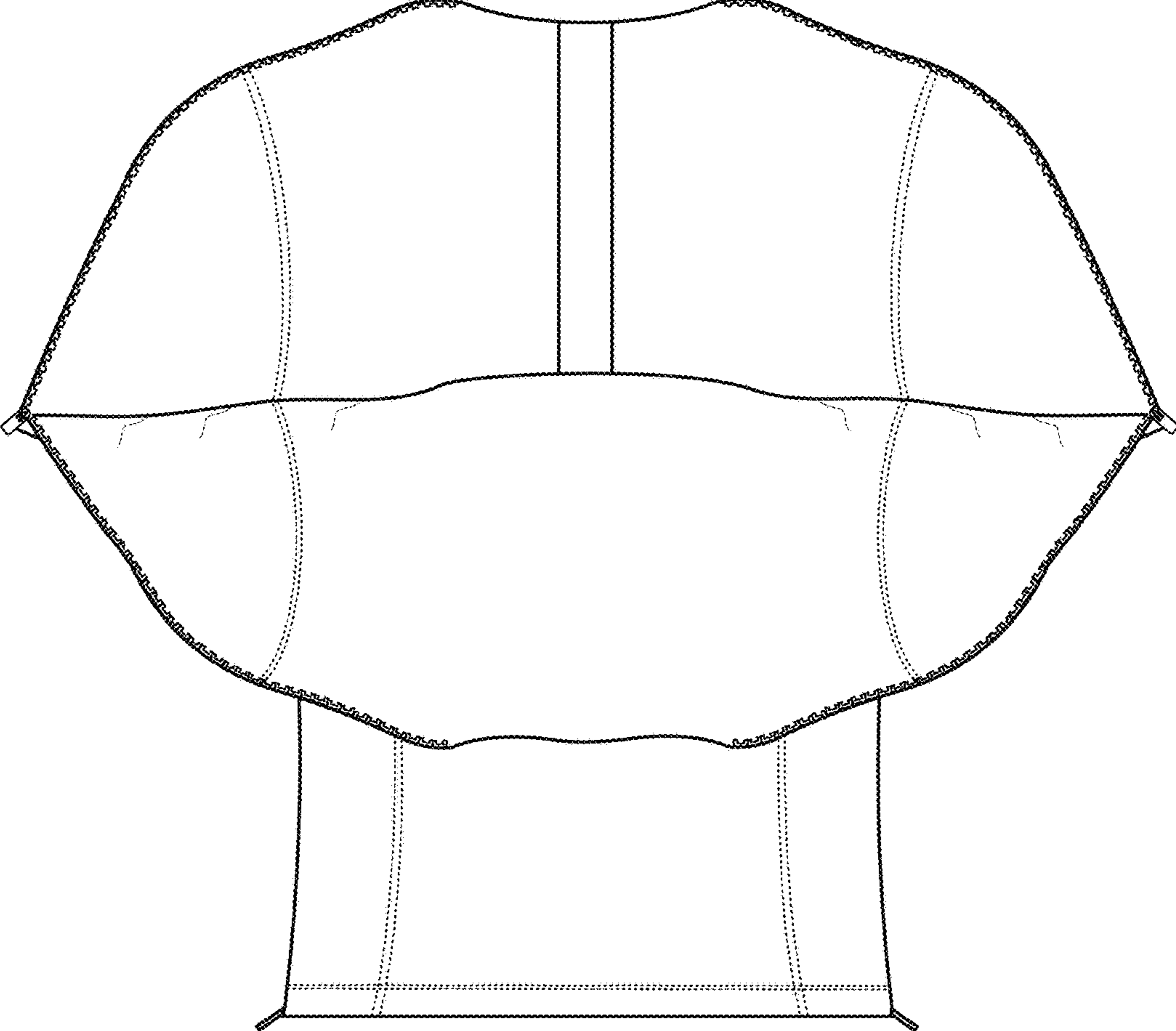


FIG. 18

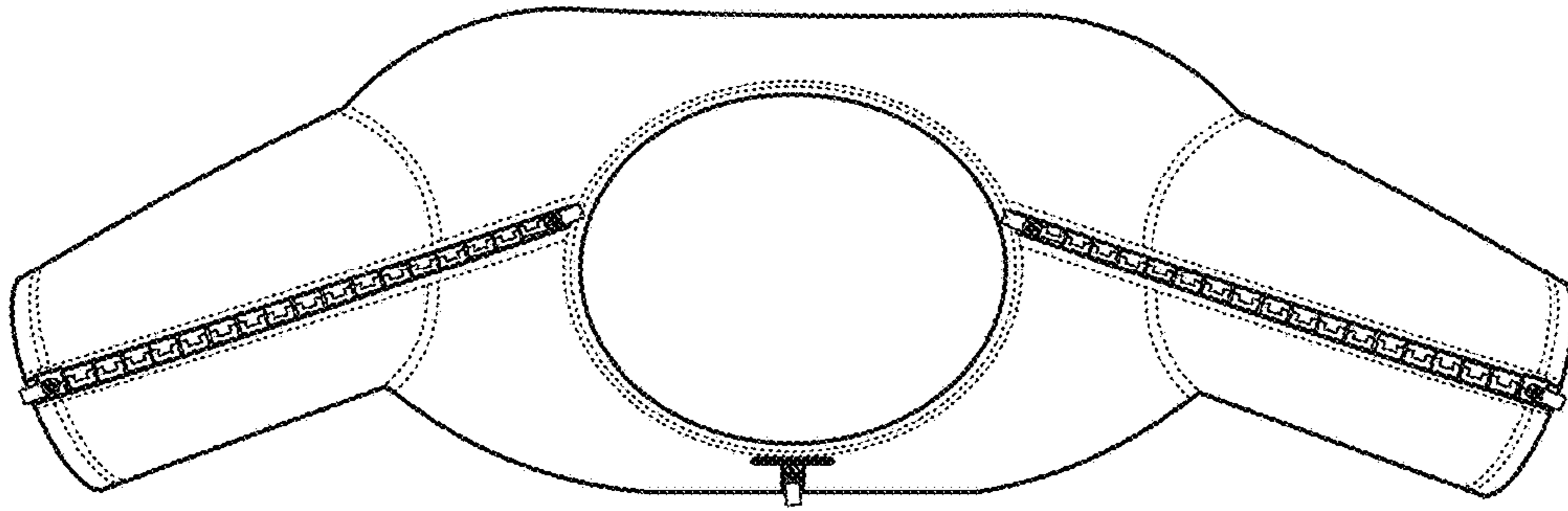


FIG. 19

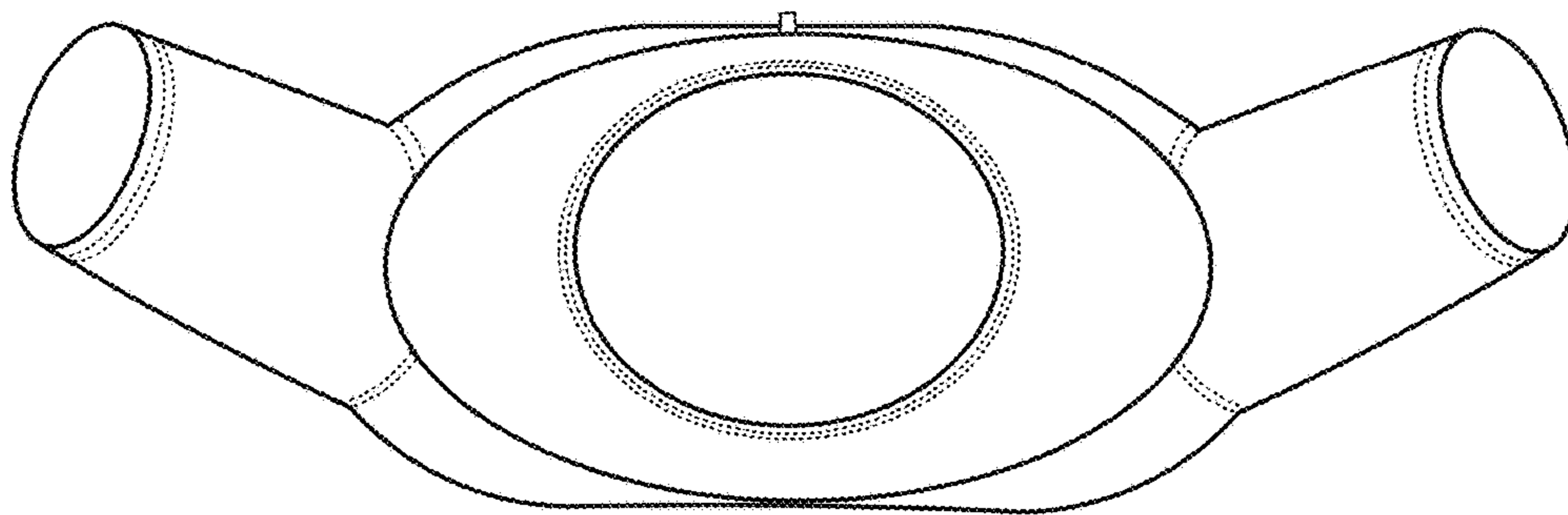


FIG. 20