



US00D834782S

(12) **United States Design Patent**
Keen et al.

(10) **Patent No.:** **US D834,782 S**
(45) **Date of Patent:** **** Dec. 4, 2018**

- (54) **FOOD PRODUCT**
- (71) Applicant: **Mars, Incorporated**, McLean, VA (US)
- (72) Inventors: **Kaitlyn Keen**, Hermitage, TN (US);
Vincent Joseph Falcone, Inverness, IL (US)
- (73) Assignee: **Mars, Incorporated**, McLean, VA (US)
- (**) Term: **15 Years**
- (21) Appl. No.: **29/636,431**
- (22) Filed: **Feb. 8, 2018**

- 2,659,418 A 11/1953 Berman et al.
- D176,877 S 2/1956 Newmark
- D199,470 S 10/1964 Ziff
- D213,675 S 4/1969 Tymowski
- 4,116,202 A 9/1978 Panicci et al.
- D255,966 S * 7/1980 Stadel 5/644
- D300,841 S 4/1989 Minurri
- 4,955,393 A 9/1990 Adell
- D311,808 S 11/1990 Chvilicek et al.
- 5,072,927 A 12/1991 Santos
- 5,076,570 A 12/1991 Davis

(Continued)

Primary Examiner — Katie Jane Stofko

(74) *Attorney, Agent, or Firm* — Greenberg Traurig, LLP

(57) **CLAIM**

The ornamental design for a food product, as shown and described.

DESCRIPTION

FIG. 1 is a front, right, bottom perspective view of a food product showing our new design;
 FIG. 2 is a front elevation view of the food product shown in FIG. 1;
 FIG. 3 is a rear elevation view of the food product shown in FIG. 1;
 FIG. 4 is a left side elevation view of the food product shown in FIG. 1;
 FIG. 5 is a right side elevation view of the food product shown in FIG. 1;
 FIG. 6 is a top plan view of the food product shown in FIG. 1; and,
 FIG. 7 is a bottom plan view of the food product shown in FIG. 1.

The evenly-spaced broken lines in FIGS. 1-7 illustrate portions of the food product that form no part of the claimed design. The dash-dot-dash broken lines in FIGS. 1, 2, 6 and 7 illustrate the boundary of the claimed design which forms no part thereof.

Related U.S. Application Data

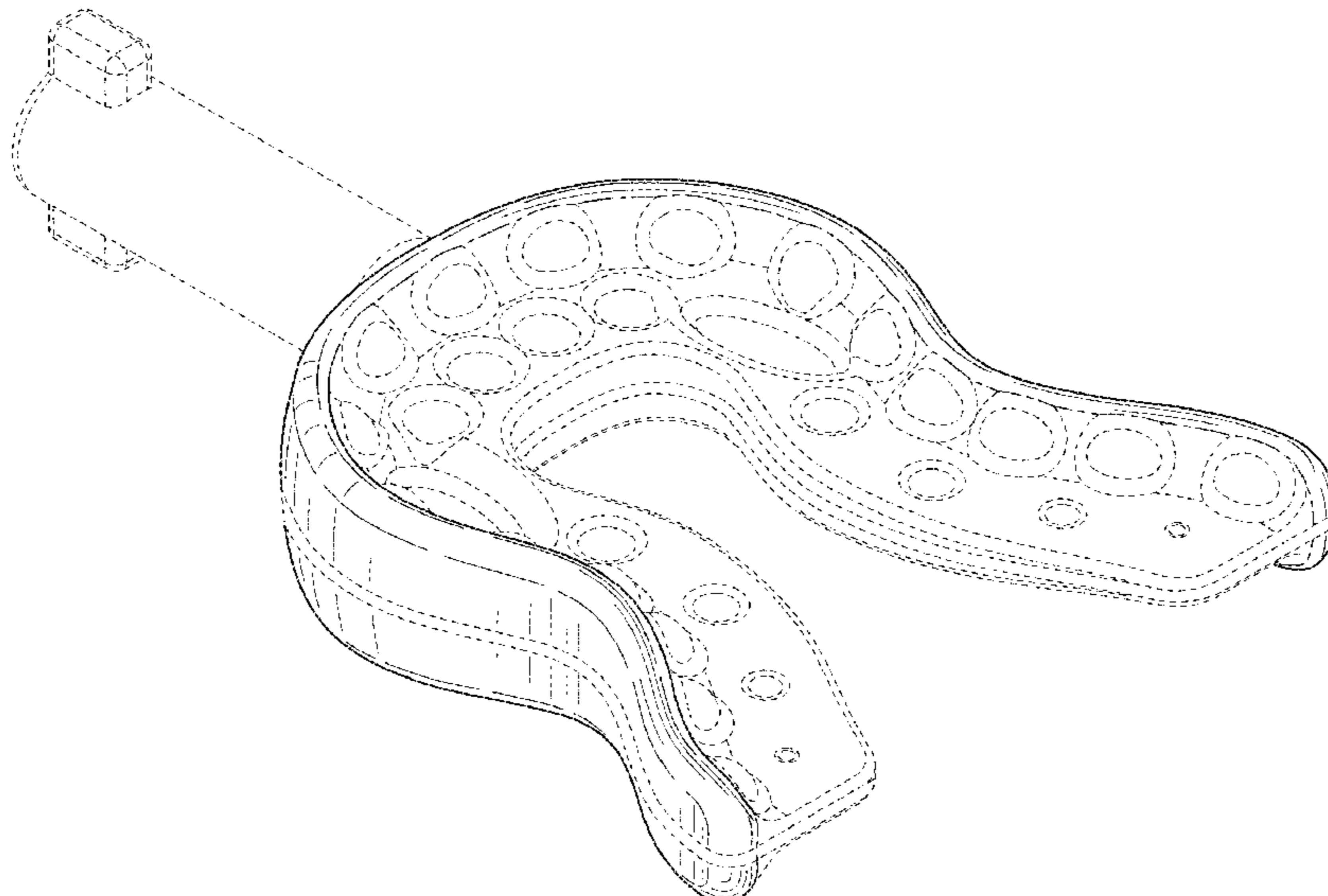
- (62) Division of application No. 29/579,732, filed on Oct. 3, 2016.
- (51) **LOC (11) Cl.** **01-01**
- (52) **U.S. Cl.**
USPC **D1/199**
- (58) **Field of Classification Search**
USPC D1/100-130, 199; 426/104, 108, 138, 426/391, 549, 808, 94, 143, 559, 560; D24/101-104; D28/8.1, 63; D6/601, D6/604; D32/40, 43; D9/707, 756; D30/160; D29/108; 128/848, 861
CPC A23G 3/50; A23G 3/54; A23J 3/26; A23L 1/0067
See application file for complete search history.

(56) **References Cited**

U.S. PATENT DOCUMENTS

- D29,311 S 9/1898 Murray
- 726,164 A * 4/1903 Hogan A61G 13/12 5/630
- 2,258,946 A 10/1941 Chadwick et al.
- D170,357 S 9/1953 Hayes

1 Claim, 5 Drawing Sheets



(56)

References Cited

U.S. PATENT DOCUMENTS

D333,937 S	3/1993	Prosser		D677,007 S *	2/2013	Bancroft	D29/108
D345,422 S	3/1994	Spence, Jr.		D684,340 S	6/2013	Cox et al.	
D349,786 S	8/1994	Markham		D688,317 S	8/2013	Soto	
D350,421 S	9/1994	Brubaker		D711,307 S	8/2014	Fair et al.	
D365,151 S	12/1995	Coppels et al.		8,925,494 B2	1/2015	Pang et al.	
5,519,918 A	5/1996	Chang et al.		8,935,992 B2	1/2015	Axelrod et al.	
5,540,720 A	7/1996	Ortega et al.		D731,813 S *	6/2015	Durkin	D6/601
D382,643 S	8/1997	Cummings		D743,107 S *	11/2015	Hirshberg	D29/108
D397,536 S	9/1998	Rodriguez, Jr.		D743,108 S	11/2015	Charlton	
D413,751 S	9/1999	Alyea		D745,786 S *	12/2015	Ko	D6/361
D420,931 S	2/2000	Philipson et al.		D747,879 S *	1/2016	Fair	D3/318
D427,745 S	7/2000	Jones		D749,344 S	2/2016	Belitz et al.	
D429,057 S	8/2000	Wong		D768,353 S	10/2016	Niehues et al.	
6,447,536 B1	9/2002	Hinshaw		D769,029 S *	10/2016	Okwumabua	D6/601
D466,176 S	11/2002	Peterson et al.		9,516,949 B2	12/2016	Harkrider et al.	
6,484,913 B1	11/2002	Hancock et al.		D778,706 S	2/2017	Atkins	
D489,426 S	5/2004	Oakley et al.		9,622,837 B2	4/2017	Jansheski et al.	
6,793,109 B2	9/2004	Gates et al.		D787,232 S *	5/2017	Kassab Arabo	D6/601
D504,045 S	4/2005	Rediske		9,687,722 B2	6/2017	Kennedy	
D537,987 S *	3/2007	Manzo	D29/108	D793,770 S	8/2017	Krishtul	
D579,745 S	11/2008	Huang		9,744,014 B2	8/2017	Smith et al.	
D588,043 S	3/2009	Hardy		9,788,526 B2	10/2017	Mann et al.	
D588,717 S	3/2009	Deuer et al.		2004/0113041 A1	6/2004	Hancock et al.	
D607,682 S *	1/2010	Presman	D6/601	2006/0035545 A1	2/2006	Boley et al.	
D626,494 S	11/2010	Gates et al.		2008/0201881 A1	8/2008	Dunn et al.	
D648,900 S	11/2011	Manzo et al.		2010/0175192 A1 *	7/2010	Aiken	A47C 20/021 5/632
D658,813 S	5/2012	Manzo et al.		2014/0113032 A1	4/2014	Reiser et al.	
D669,725 S *	10/2012	Blake	D6/601	2015/0296837 A1	10/2015	Reiser et al.	
				2016/0100553 A1	4/2016	Heath	
				2016/0255813 A1	9/2016	Wolfe, Jr. et al.	

* cited by examiner

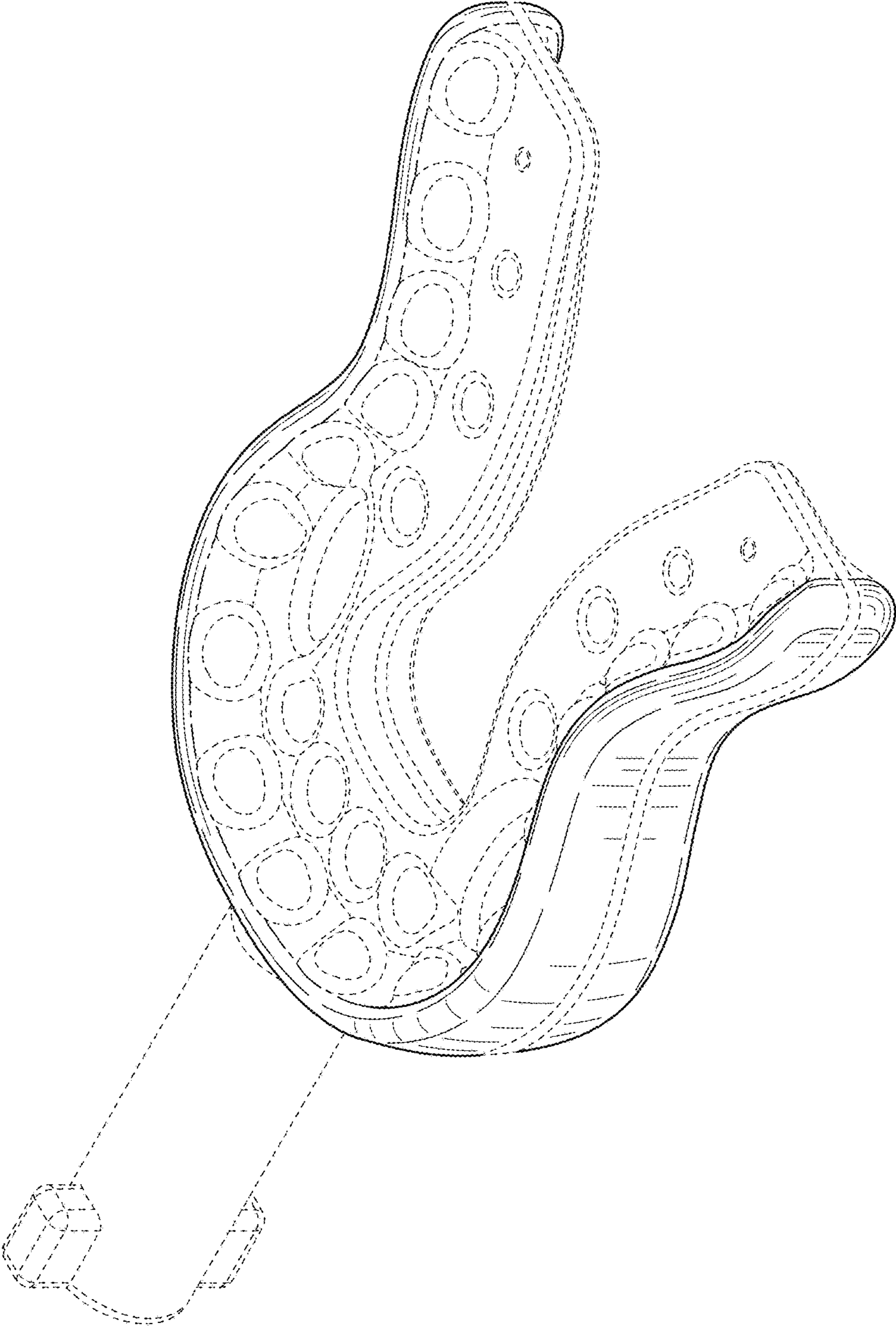


FIG. 1

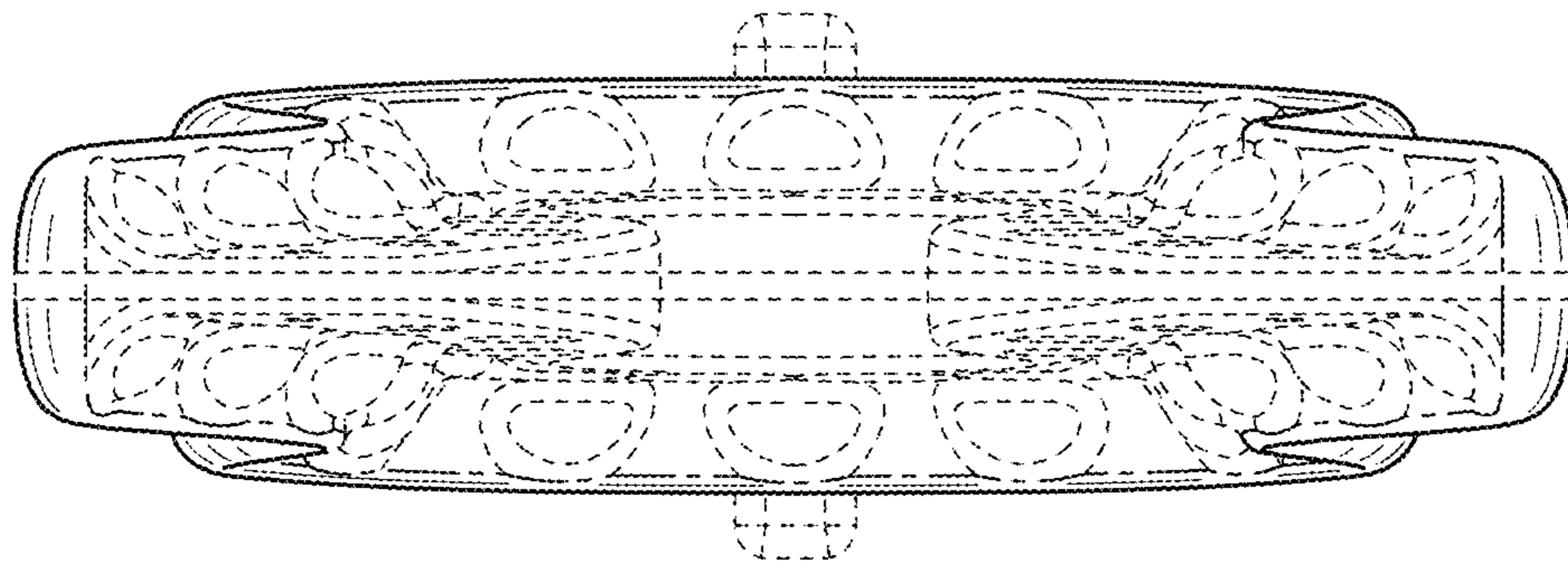


FIG. 2

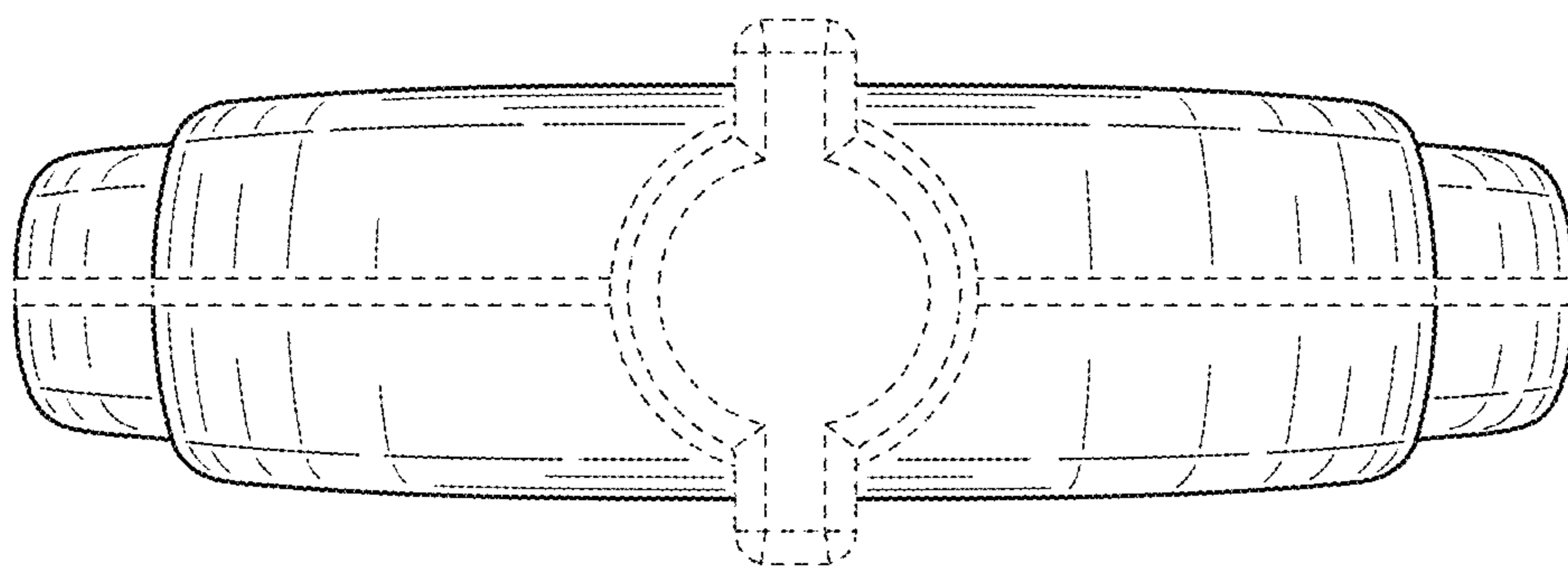


FIG. 3

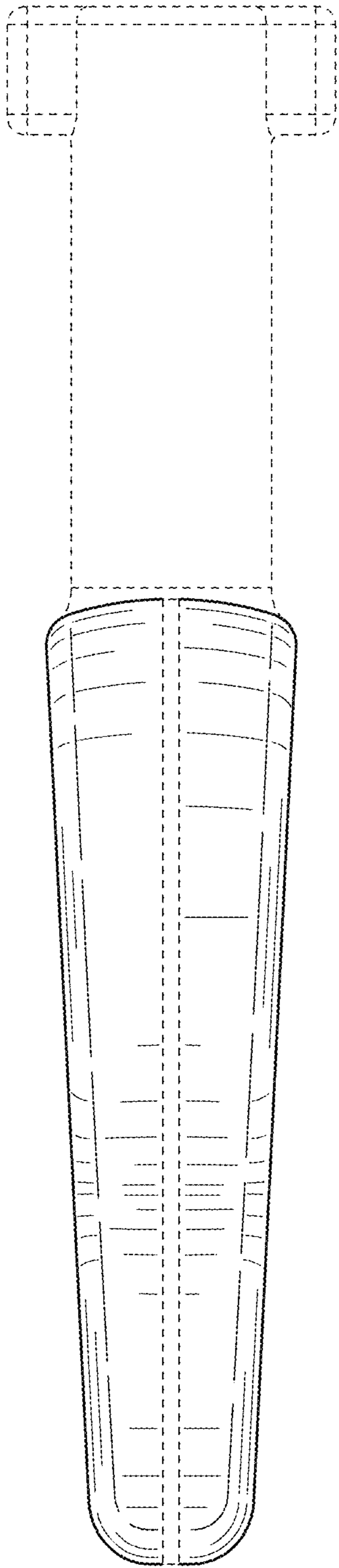


FIG. 4

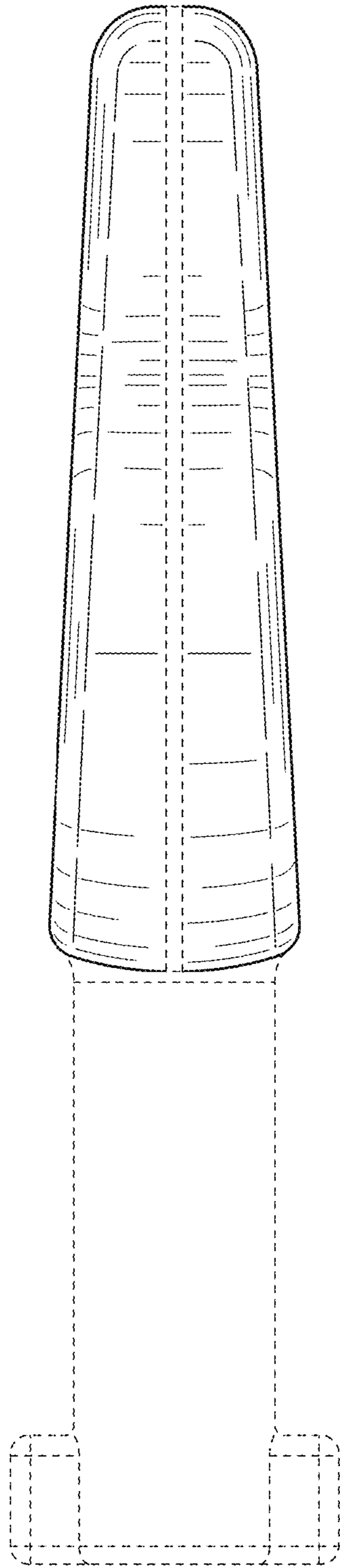


FIG. 5

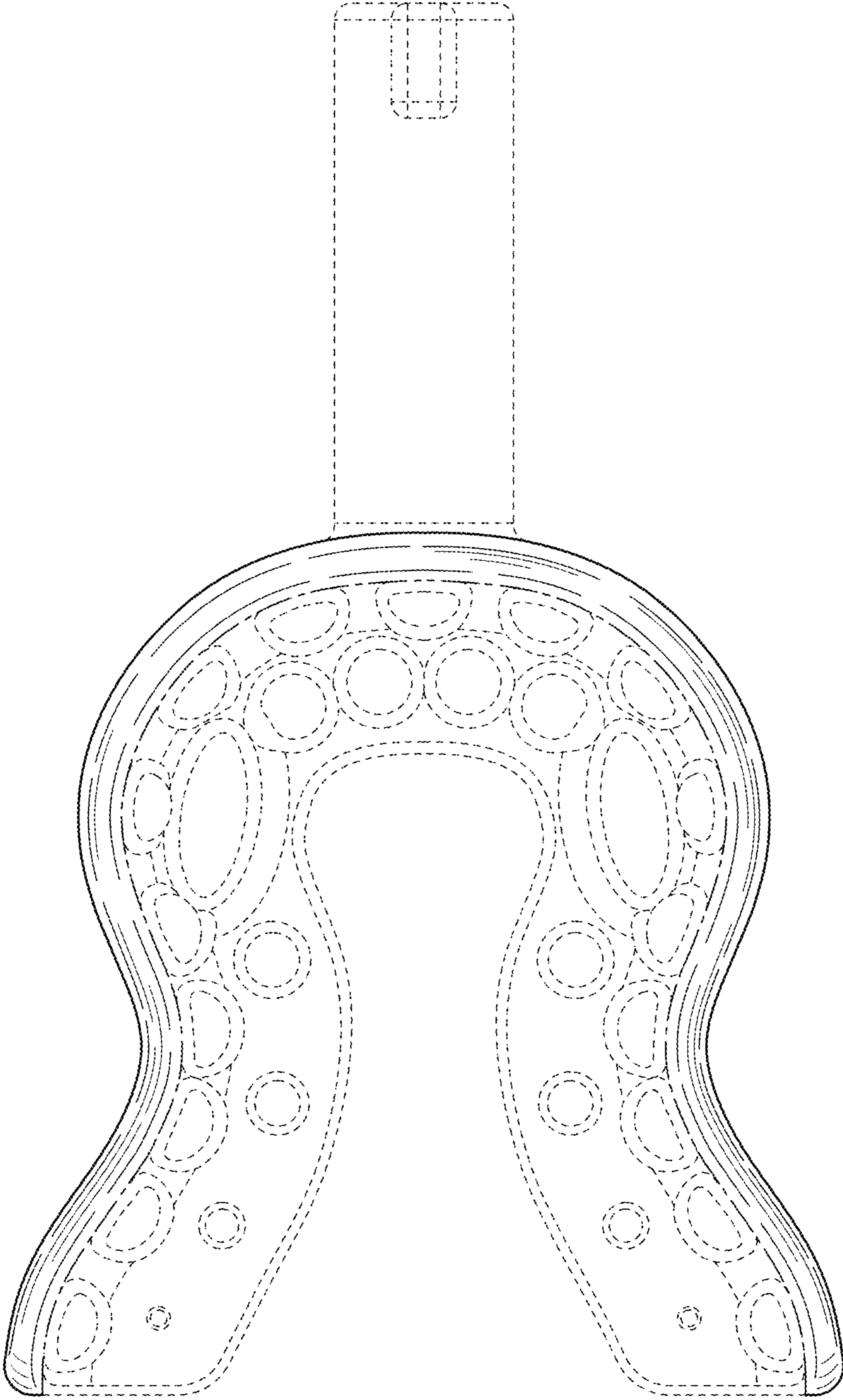


FIG. 6

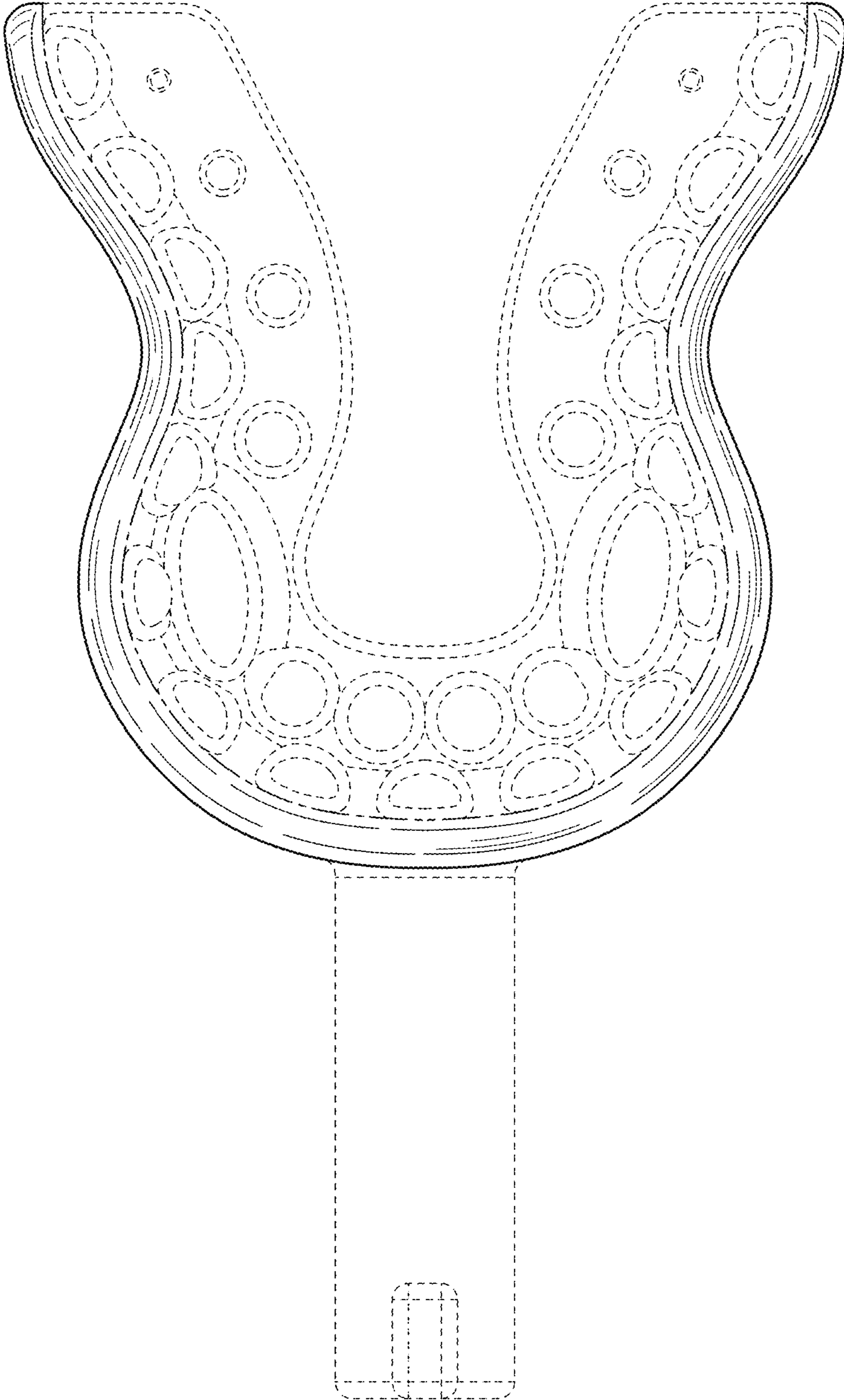


FIG. 7