

US00D834776S

(12) **United States Design Patent**  
**Houghton**

(10) **Patent No.:** **US D834,776 S**

(45) **Date of Patent:** **\*\* Nov. 27, 2018**

(54) **VACUUM CLEANER**

(71) Applicant: **BLACK & DECKER INC.**, New Britain, CT (US)

(72) Inventor: **Stephen Houghton**, Newcastle-upon-Tyne (GB)

(73) Assignee: **BLACK & DECKER INC.**, New Britain, CT (US)

(\*\*) Term: **15 Years**

(21) Appl. No.: **29/634,735**

(22) Filed: **Jan. 24, 2018**

**Related U.S. Application Data**

(62) Division of application No. 29/545,388, filed on Nov. 12, 2015, now Pat. No. Des. 812,327.

(30) **Foreign Application Priority Data**

May 14, 2015 (EM) ..... 002700823

(51) **LOC (11) Cl.** ..... **15-05**

(52) **U.S. Cl.**  
USPC ..... **D32/22**

(58) **Field of Classification Search**  
USPC ..... D32/17-18, 21-22, 31, 34  
CPC ..... A47L 5/24; A47L 5/28; A47L 5/34; A47L 5/362; A47L 5/36; A47L 11/34; A47L 9/325; A47L 9/20; A47L 9/02; A47L 9/32; A47L 9/322; A47L 9/327; A47L 7/0038

See application file for complete search history.

(56) **References Cited**

U.S. PATENT DOCUMENTS

D574,563 S *	8/2008	Fjellman .....	D32/22
D582,111 S *	12/2008	Agren .....	D32/22
D743,124 S *	11/2015	Gray .....	D32/22
D759,920 S *	6/2016	Gray .....	D32/31
D767,222 S *	9/2016	Houghton .....	D32/31
D776,888 S *	1/2017	Gu .....	D32/22
D804,117 S *	11/2017	Kim .....	D32/22
D809,228 S *	1/2018	Lee .....	D32/22
D811,026 S *	2/2018	Yoon .....	D32/22
D812,827 S *	3/2018	Yoon .....	D32/22
D812,828 S *	3/2018	Yoon .....	D32/22

\* cited by examiner

*Primary Examiner* — Ruth McInroy

(74) *Attorney, Agent, or Firm* — John Yun

(57) **CLAIM**

The ornamental design for a vacuum cleaner, as shown and described.

**DESCRIPTION**

FIG. 1 is a perspective view of a vacuum cleaner showing my new design;

FIG. 2 is a right side view thereof

FIG. 3 is a left side view thereof;

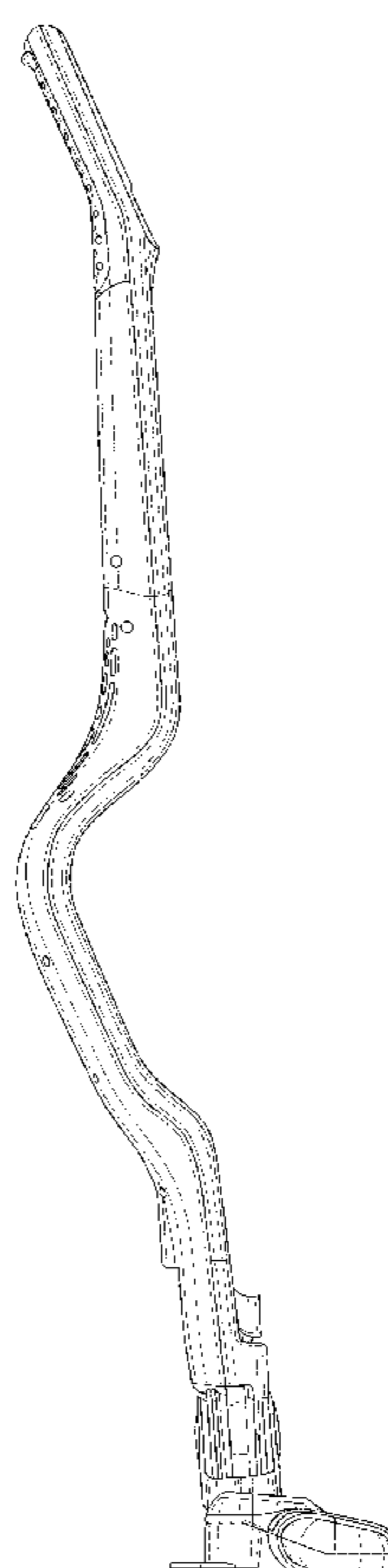
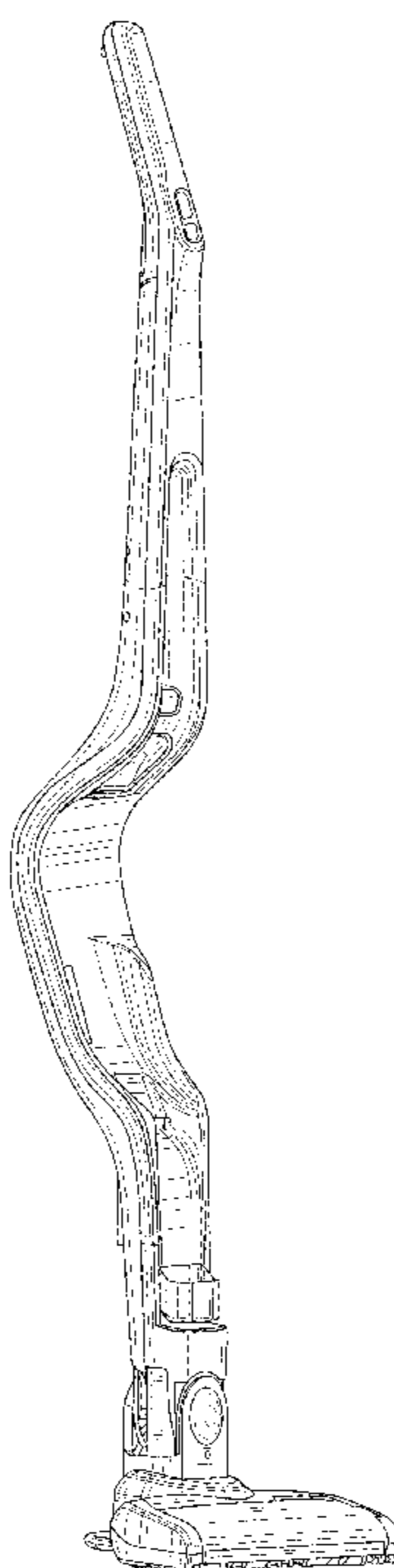
FIG. 4 is a front view thereof;

FIG. 5 is a rear view thereof;

FIG. 6 is a bottom plan view thereof; and,

FIG. 7 is a top plan view thereof.

**1 Claim, 7 Drawing Sheets**



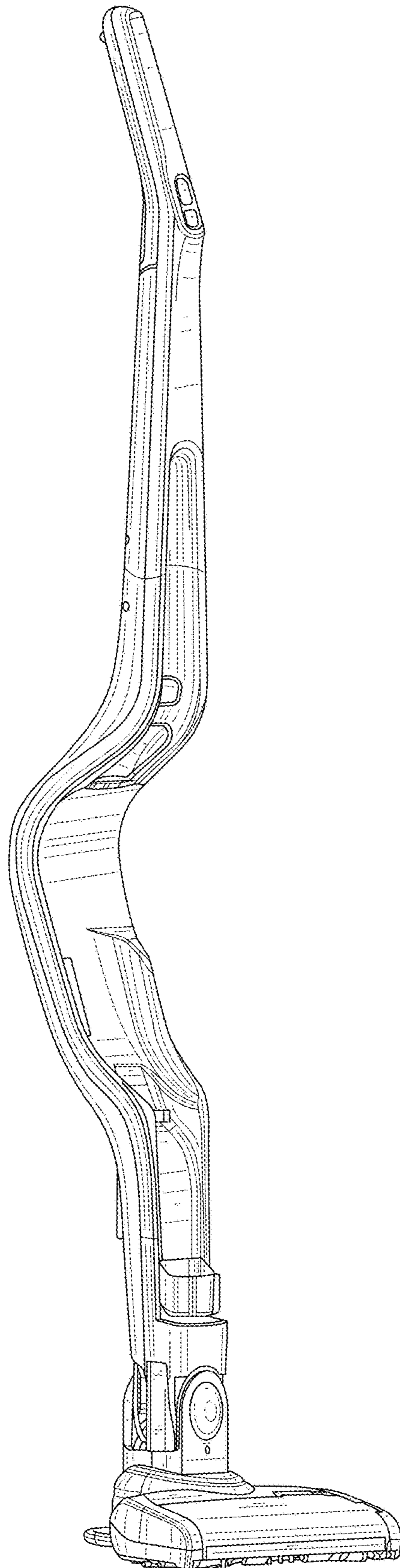


FIG. 1

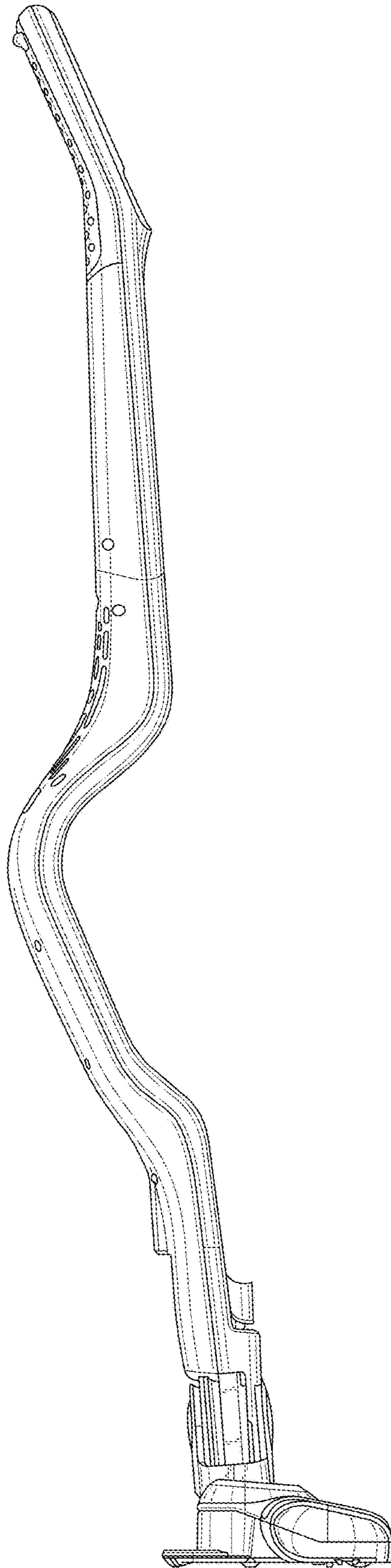


FIG. 2

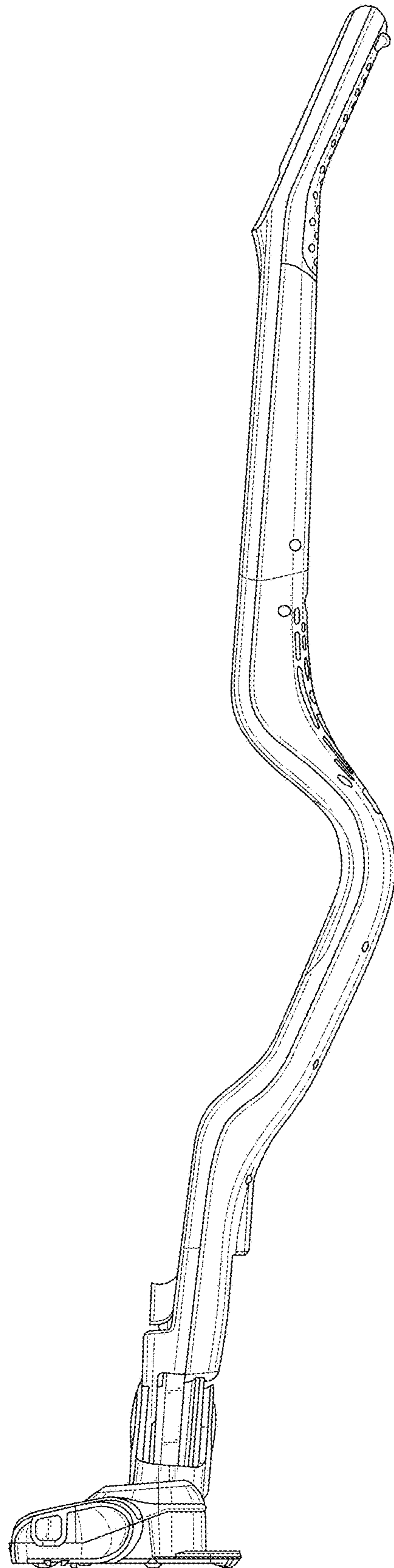


FIG. 3

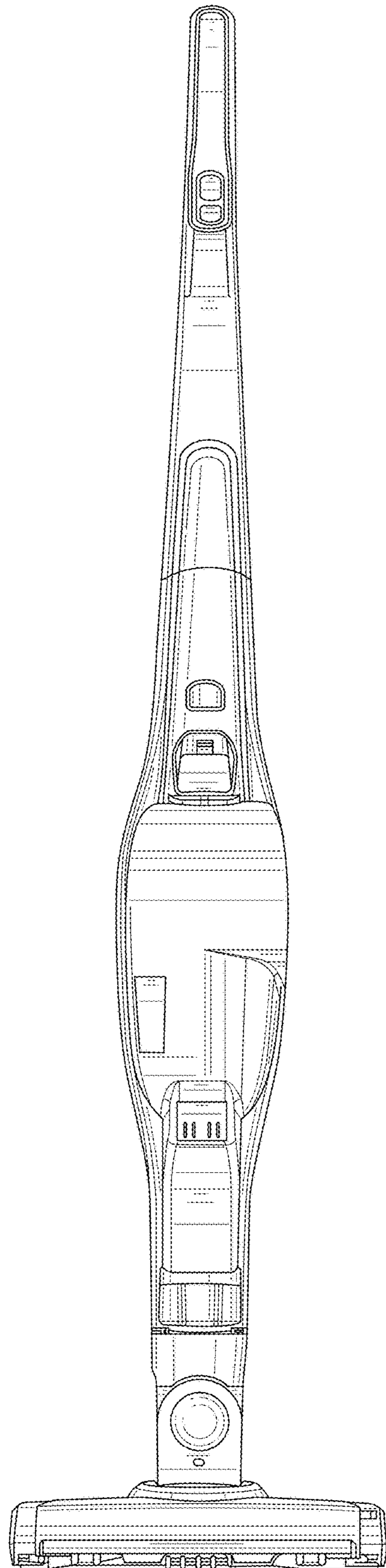


FIG. 4

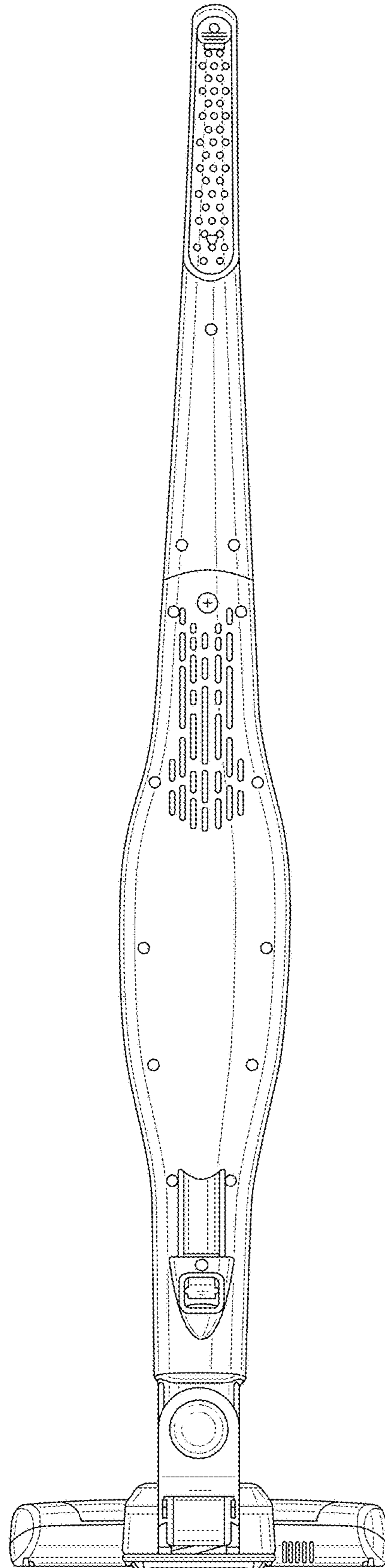


FIG. 5

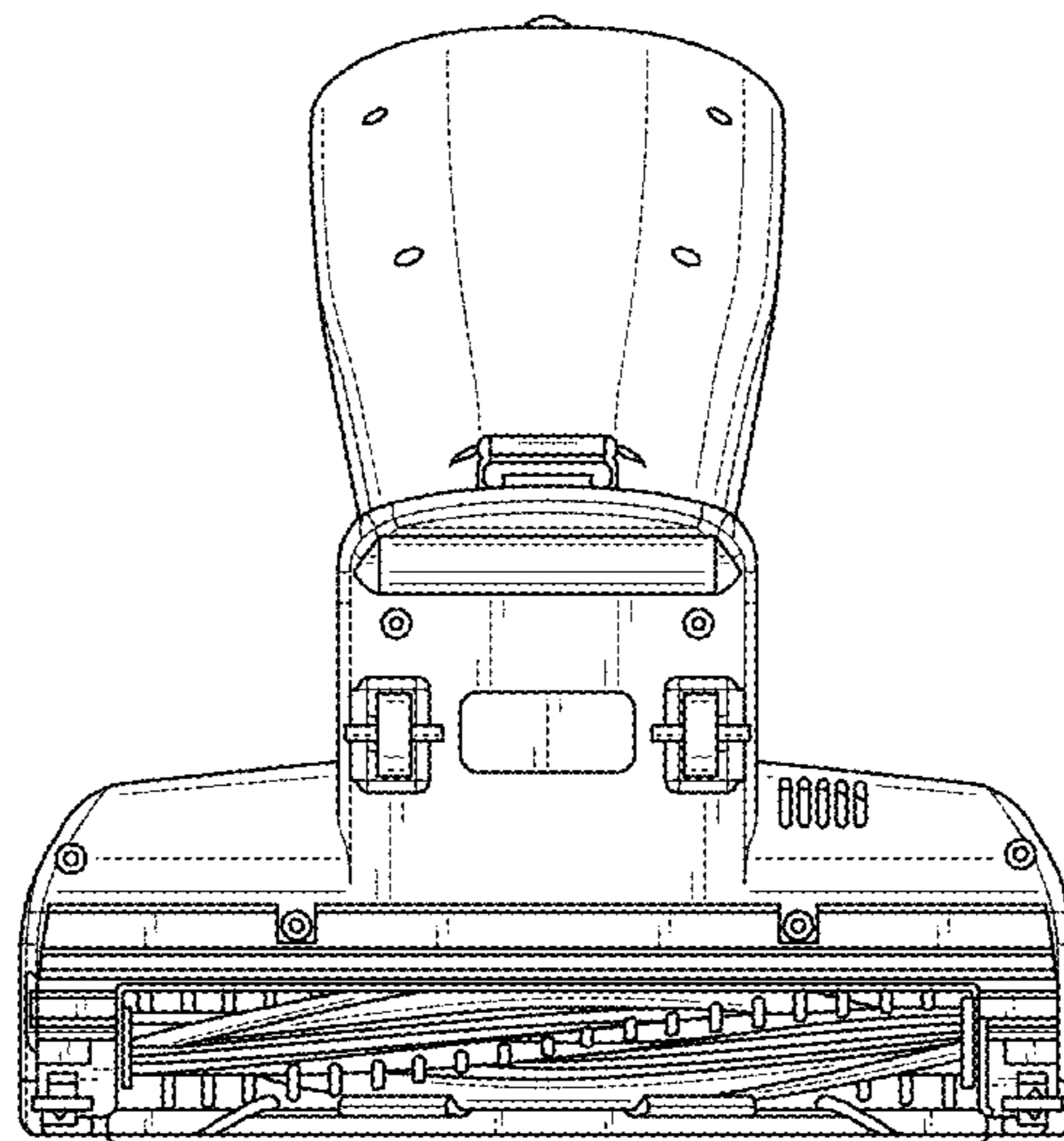


FIG. 6

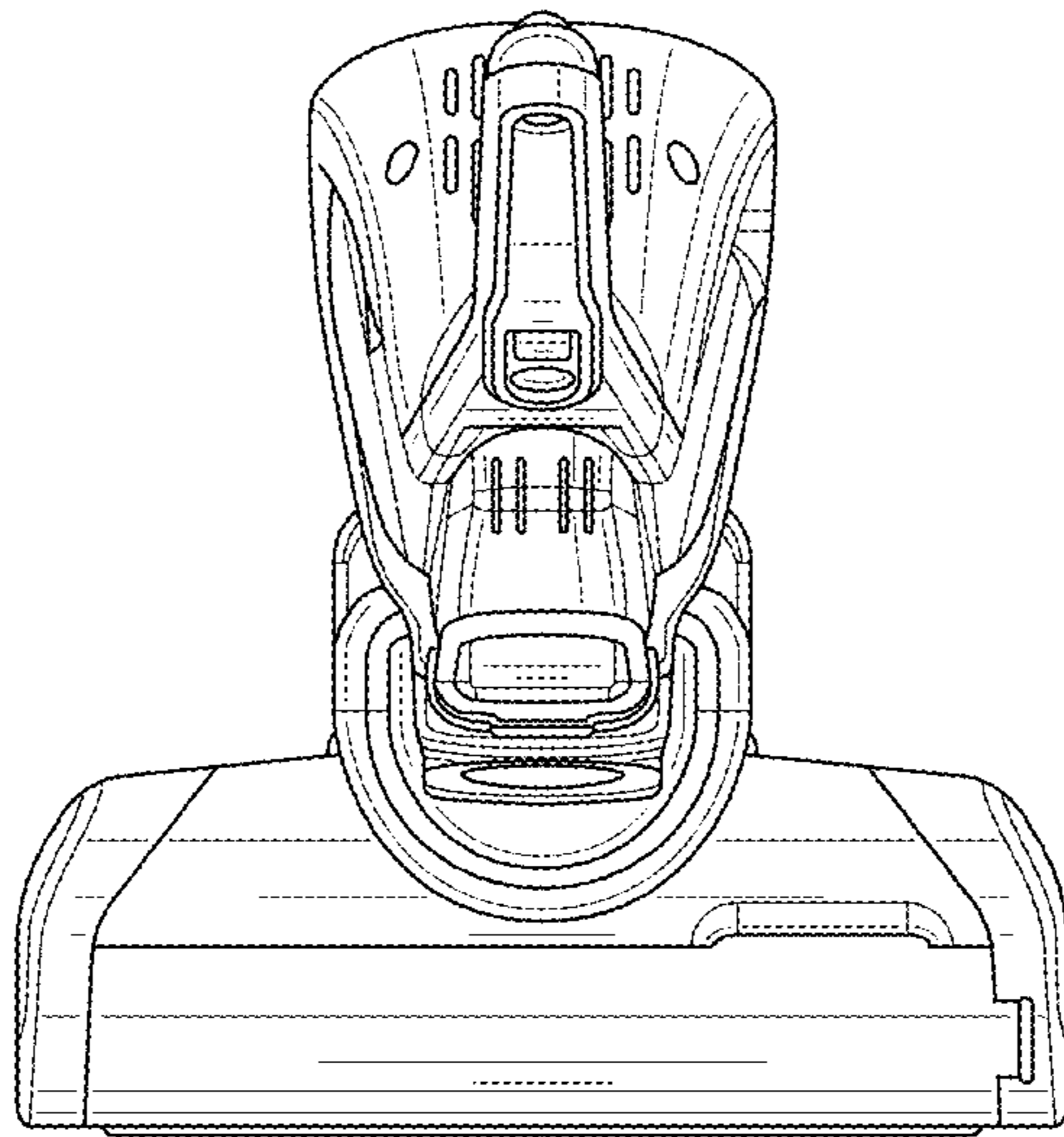


FIG. 7