



US00D834775S

(12) **United States Design Patent**
Griffin et al.

(10) **Patent No.:** **US D834,775 S**

(45) **Date of Patent:** **** Nov. 27, 2018**

(54) **VACUUM CLEANER**

(71) Applicant: **SHOP VAC CORPORATION**,
Williamsport, PA (US)

(72) Inventors: **John Griffin**, Phoenix, AZ (US);
Melvin E. Wolfe, Jr., Johnson City, NY
(US); **Jason Gottschall**, South
Williamsport, PA (US)

(73) Assignee: **SHOP VAC CORPORATION**,
Williamsport, PA (US)

(**) Term: **15 Years**

(21) Appl. No.: **29/624,571**

(22) Filed: **Nov. 2, 2017**

Related U.S. Application Data

(62) Division of application No. 29/568,444, filed on Jun.
17, 2016, now Pat. No. Des. 804,115.

(51) **LOC (11) Cl.** **15-05**

(52) **U.S. Cl.**
USPC **D32/21**

(58) **Field of Classification Search**
USPC D32/21-24, 31
CPC E04H 4/1654; A47L 9/2842; A47L 9/26;
A47L 9/325; A47L 9/009; A47L 11/34;
A47L 5/362; A47L 5/365; A47L 7/0004;
A47L 7/0019
See application file for complete search history.

(56) **References Cited**

U.S. PATENT DOCUMENTS

D386,842 S * 11/1997 Hoshino D32/21
D445,549 S * 7/2001 Griffin D32/31
D447,293 S 8/2001 Griffin
D453,245 S * 1/2002 Murphy D32/18
D470,281 S 2/2003 Griffin et al.

D479,371 S 9/2003 Griffin et al.
D496,764 S * 9/2004 Lopano D32/21
D506,042 S 6/2005 Griffin et al.
D528,718 S 9/2006 Tomasiak et al.
D537,579 S * 2/2007 Zimmerle D32/21
D537,581 S * 2/2007 Zimmerle D32/21

(Continued)

Primary Examiner — Ruth McInroy

(74) *Attorney, Agent, or Firm* — Marshall, Gerstein &
Borun LLP

(57) **CLAIM**

The ornamental design for a vacuum cleaner, as shown and
described.

DESCRIPTION

FIG. 1 is a top, right-side, and front view of a vacuum
cleaner, showing the new design.

FIG. 2 is a front elevation view of the vacuum cleaner.

FIG. 3 is a right-side elevation view of the vacuum cleaner.

FIG. 4 is a top plan view of the vacuum cleaner.

FIG. 5 is a left-side elevation view of the vacuum cleaner.

FIG. 6 is a rear elevation view of the vacuum cleaner.

FIG. 7 is a bottom plan view.

FIG. 8 is a top, right-side, and front view of the vacuum
cleaner with the handle in a raised position.

FIG. 9 is a front elevation view with the handle in the raised
position.

FIG. 10 is a right-side elevation view with the handle in the
raised position.

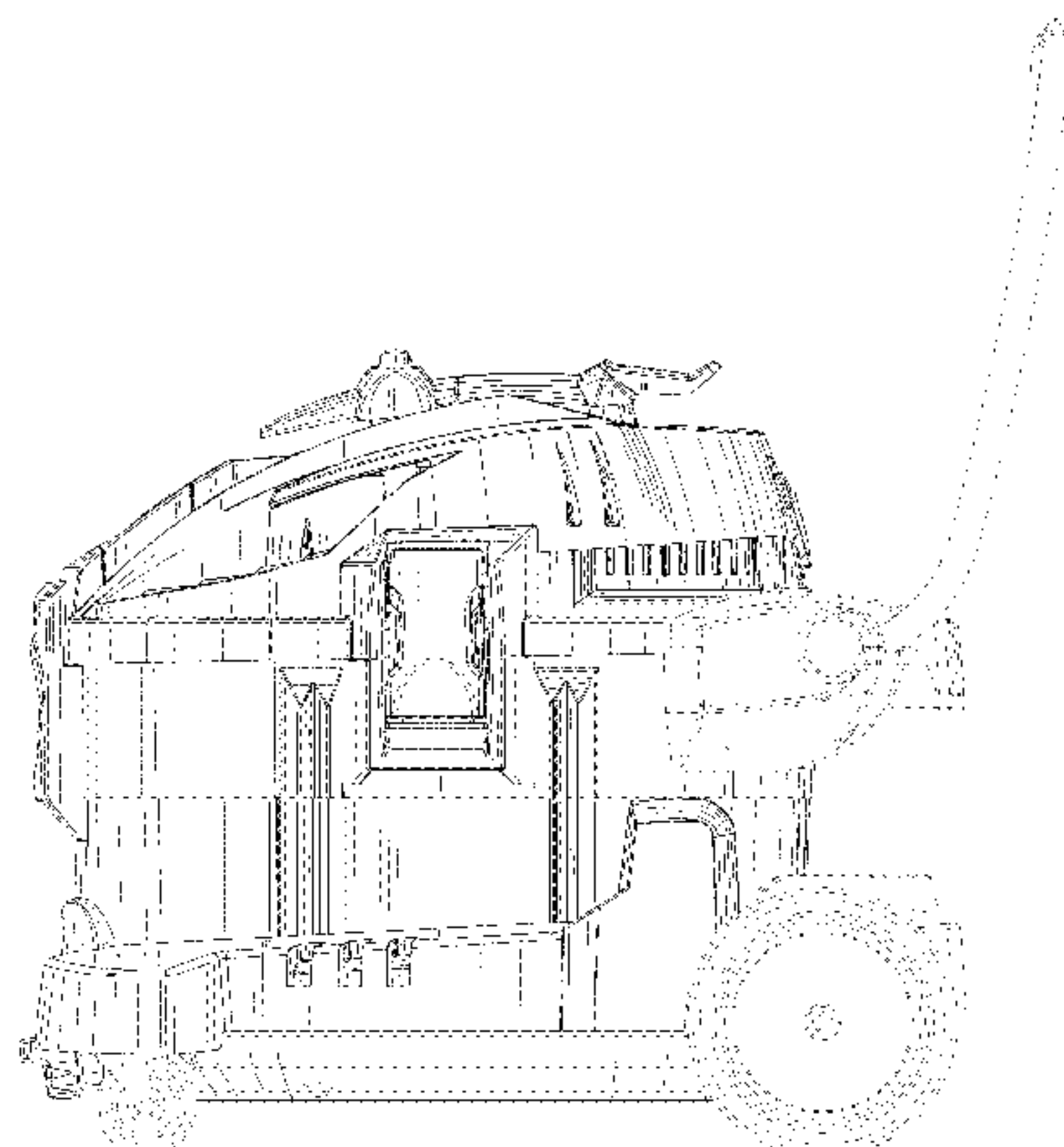
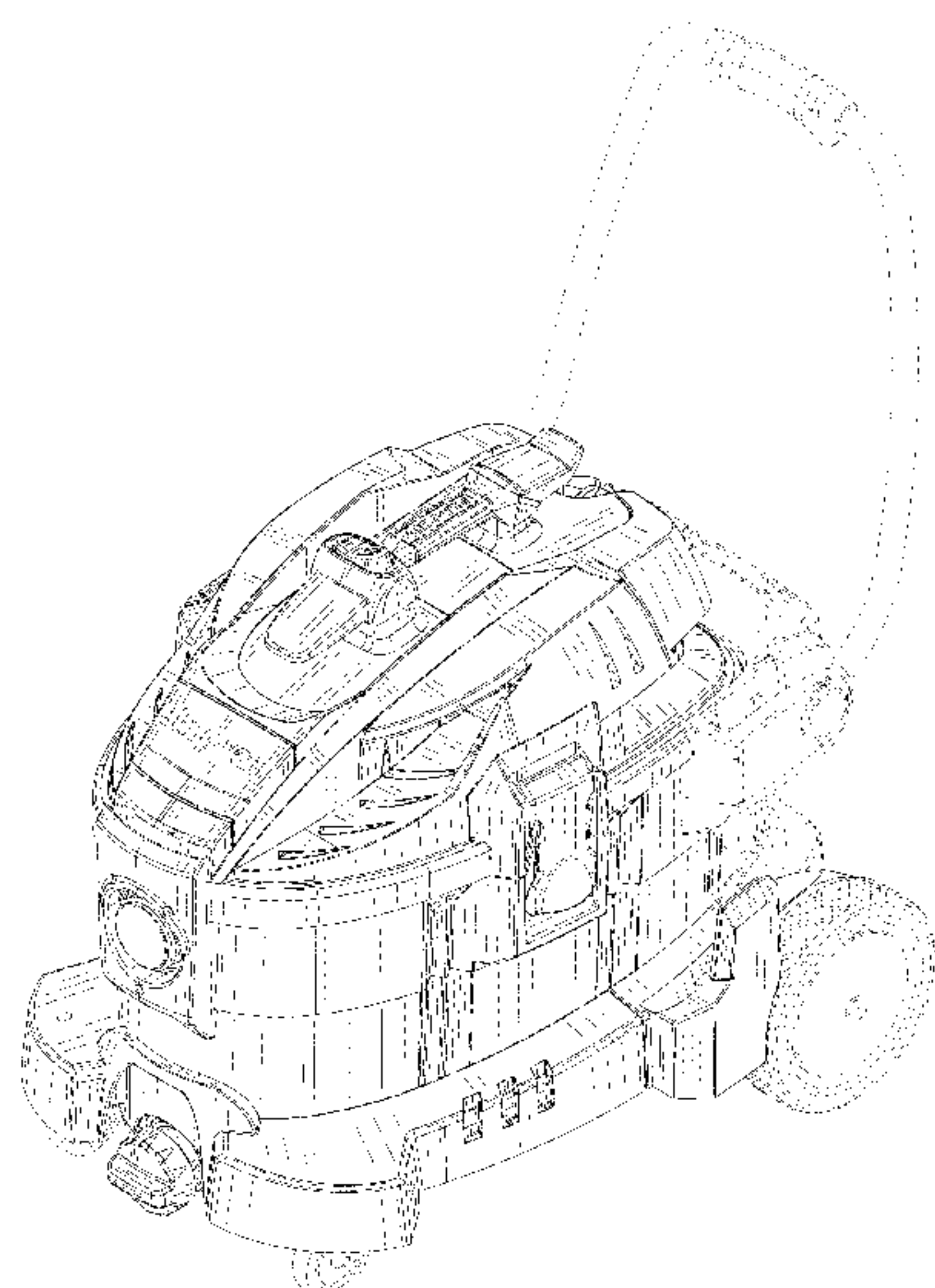
FIG. 11 is a rear elevation view with the handle in the raised
position.

FIG. 12 is a top, right-side, and front view of the vacuum
cleaner with the arm in a raised position; and,

FIG. 13 is a top, right-side, and front view of the vacuum
cleaner with the arm in a raised and extended position.

The broken lines represent portions of the vacuum cleaner
that form no part of the claimed design.

1 Claim, 13 Drawing Sheets



(56)

References Cited

U.S. PATENT DOCUMENTS

D537,992	S	*	3/2007	Hoshino	D32/24
D549,904	S	*	8/2007	Eccardt	D32/18
D571,513	S	*	6/2008	Griffin	D32/21
D581,111	S		11/2008	DiPasquale		
D587,868	S		3/2009	DiPasquale		
D595,910	S	*	7/2009	Hollis	D32/21
D596,359	S	*	7/2009	Hollis	D32/21
D615,258	S		5/2010	Dammkoehler		
D637,778	S		5/2011	Crevling et al.		
D644,800	S		9/2011	Seasholtz et al.		
D647,260	S	*	10/2011	Hollis	D32/18
D647,261	S	*	10/2011	Schultz	D32/18
D655,872	S		3/2012	Jin		
D660,529	S		5/2012	Dammkoehler et al.		
D675,388	S		1/2013	Buck		
D676,205	S		2/2013	Theising et al.		
D743,648	S		11/2015	Imsand et al.		
D746,523	S		12/2015	Jin		
9,282,861	B2	*	3/2016	Schultz	A47L 9/0018
9,572,464	B2		2/2017	Wehner		
D782,759	S		3/2017	Mathiassen et al.		
D788,392	S	*	5/2017	Gidwell	D32/31
9,668,625	B2	*	6/2017	Wolford	A47L 5/365
D806,336	S	*	12/2017	Bond	D32/31

* cited by examiner

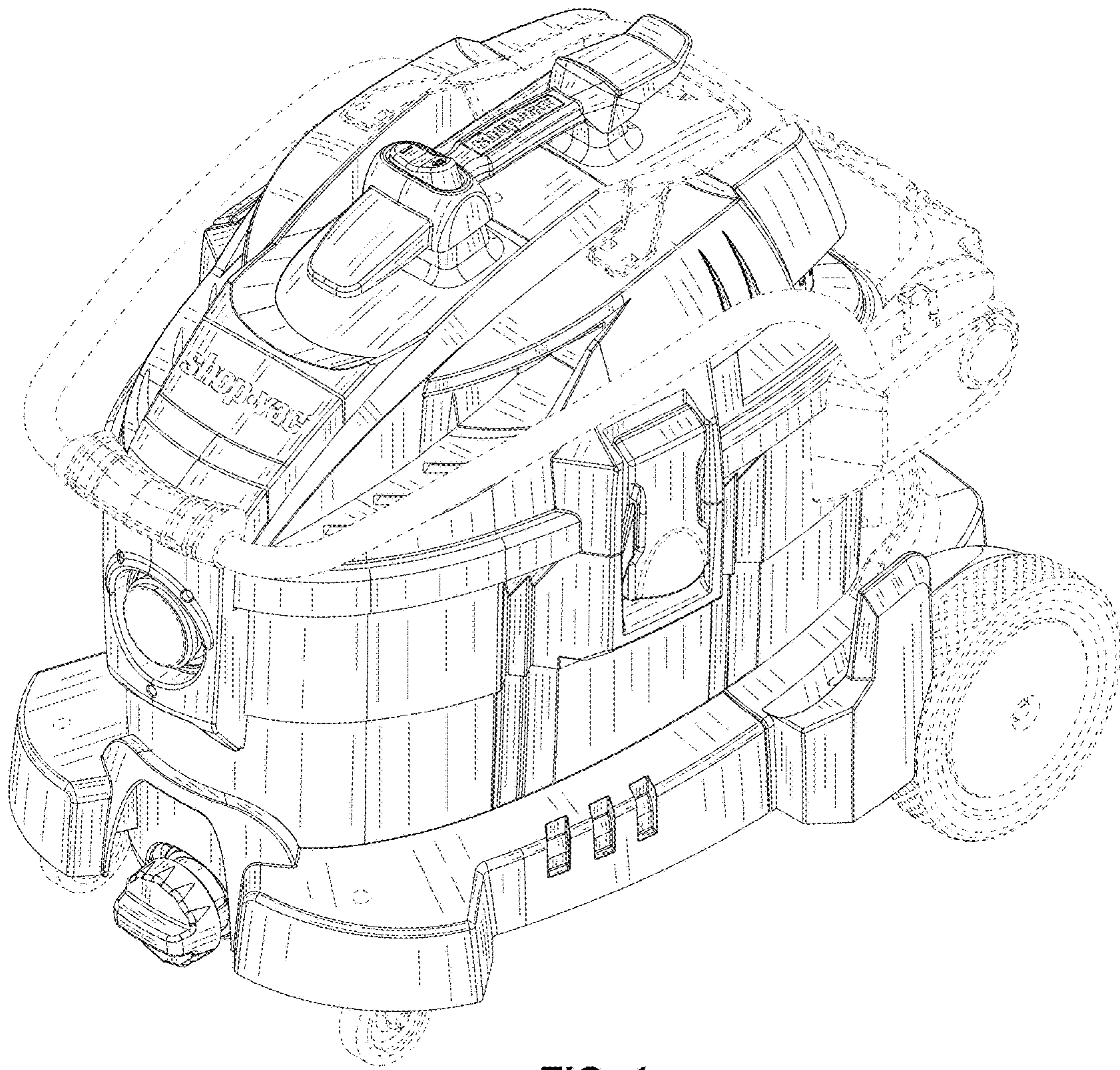


FIG. 1

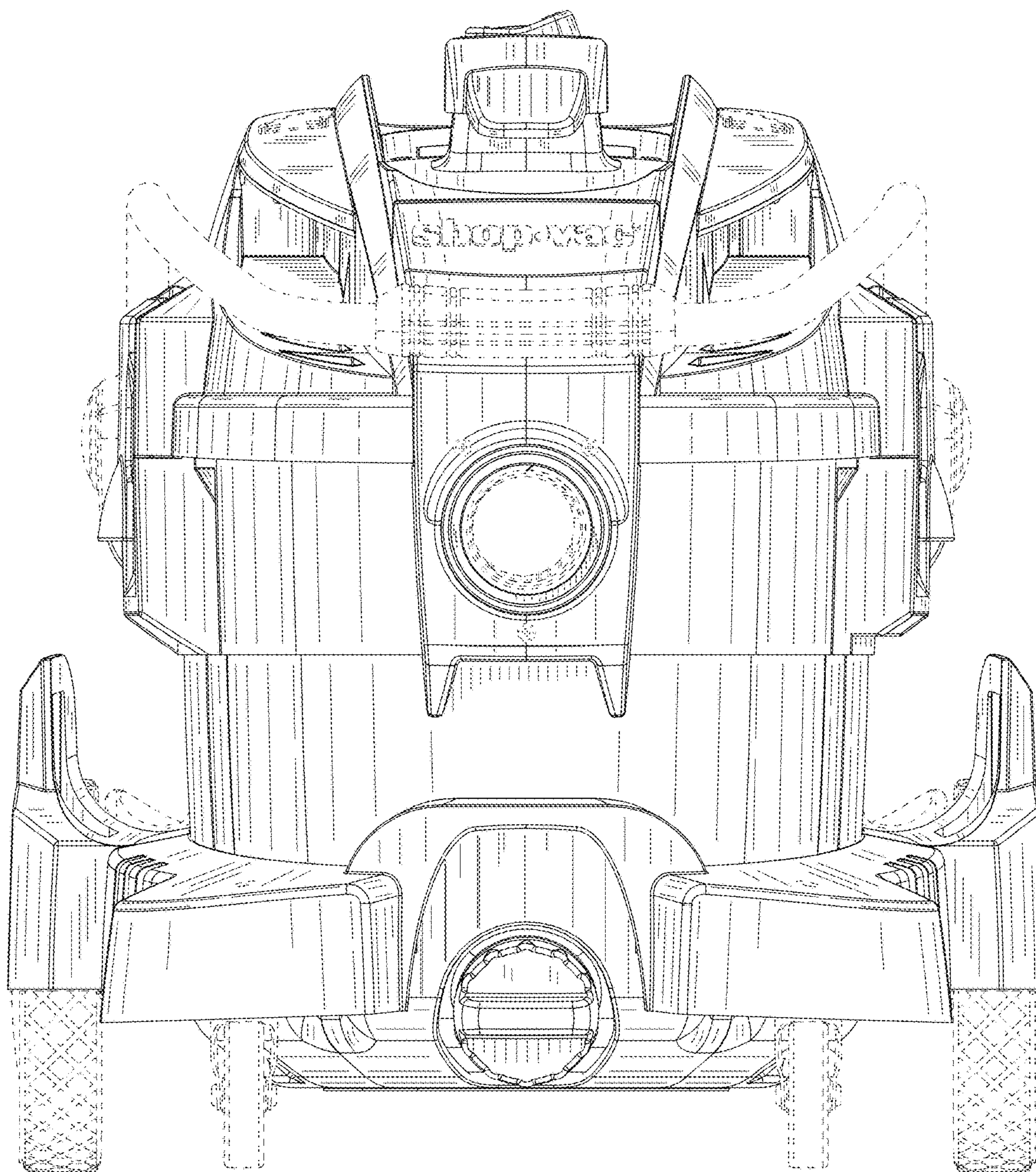


FIG. 2

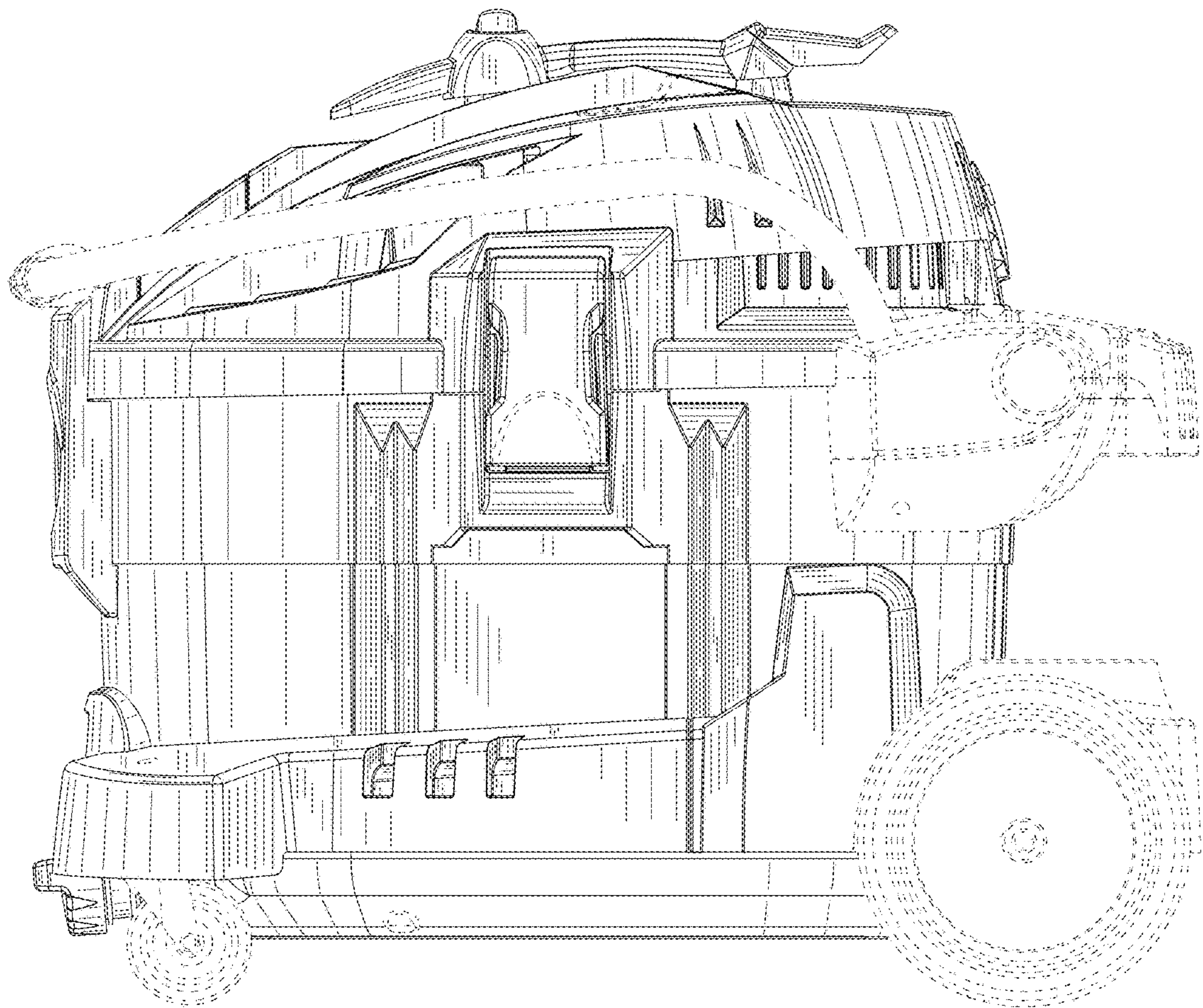


FIG. 3

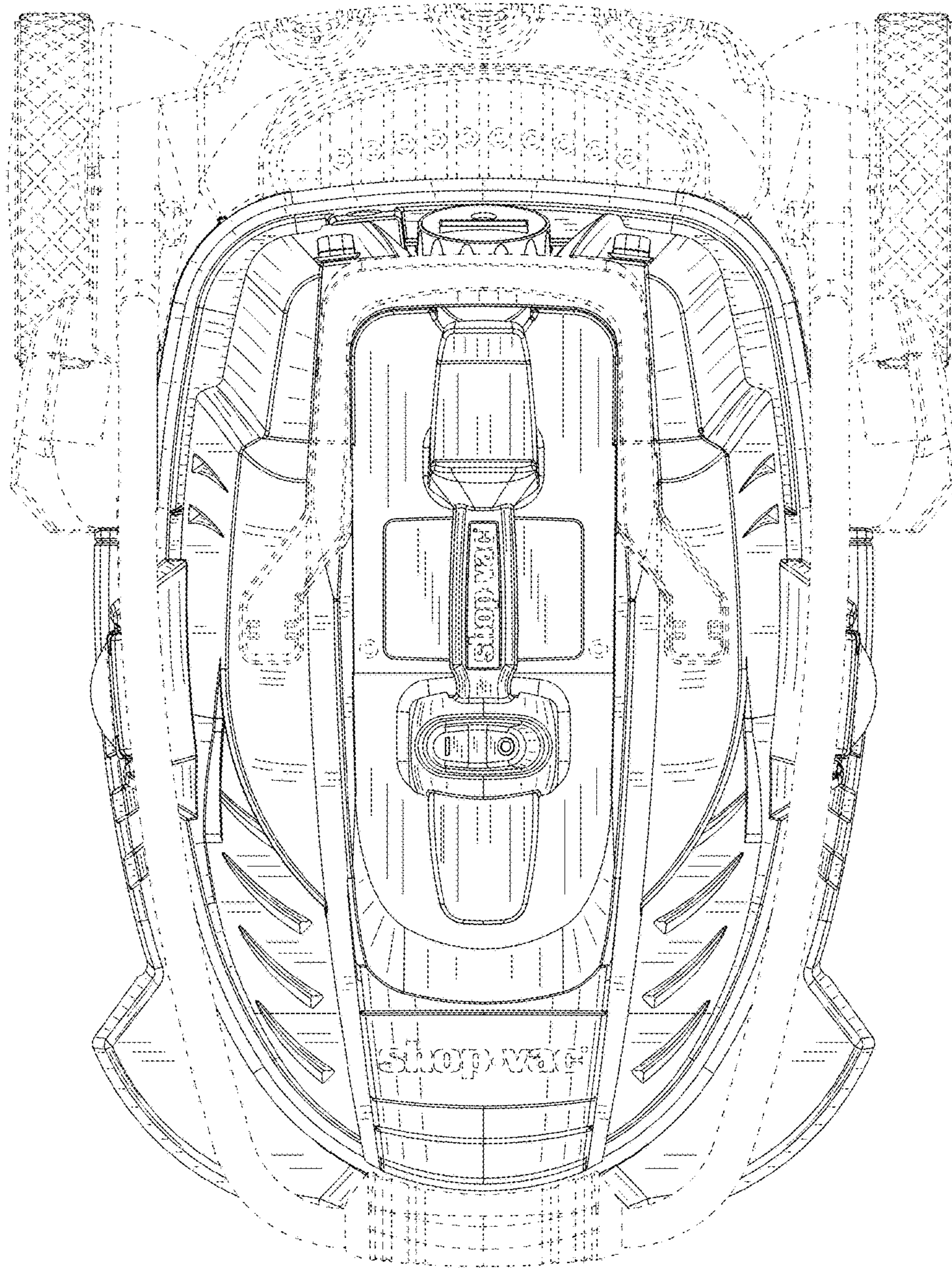


FIG. 4

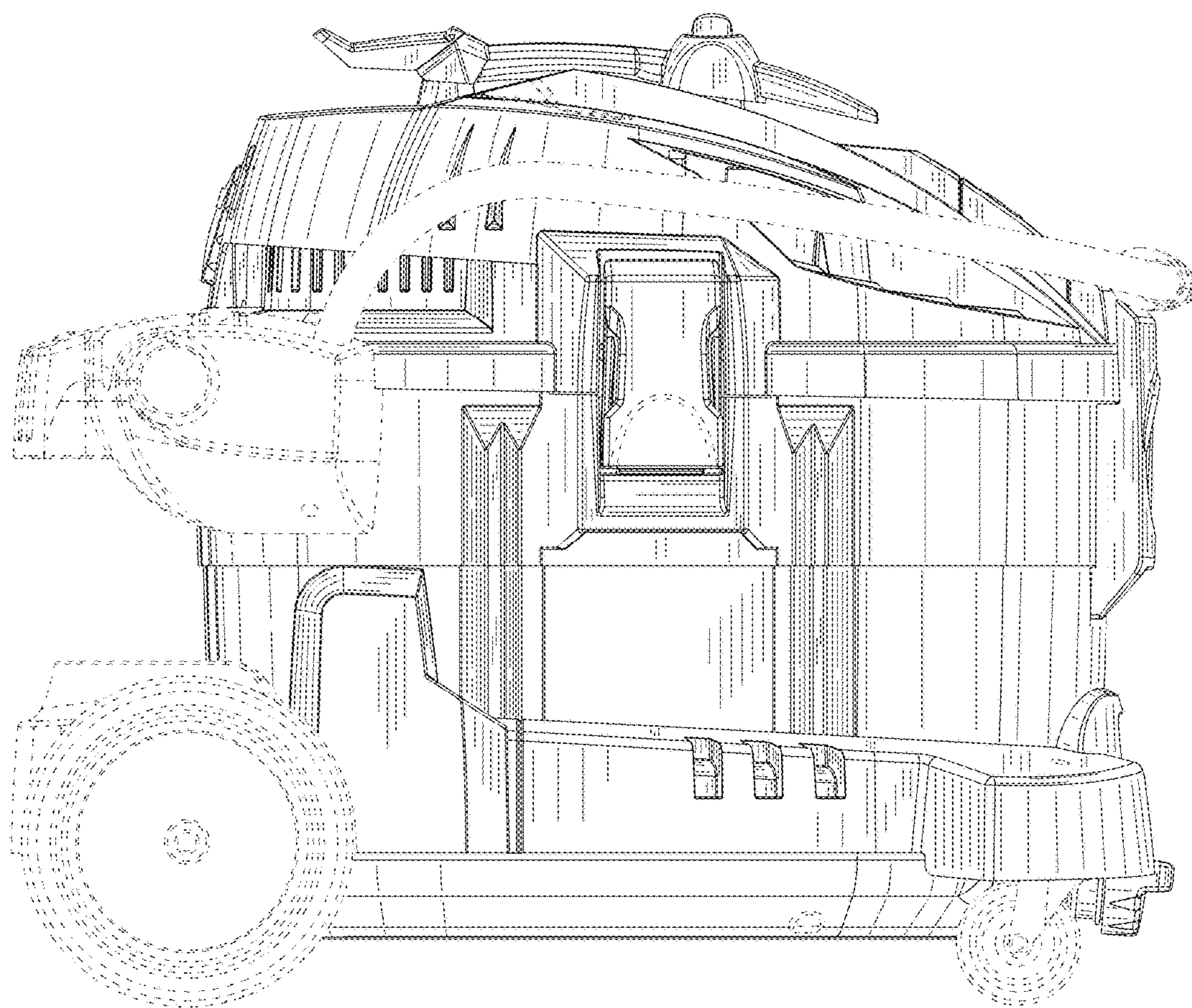


FIG. 5

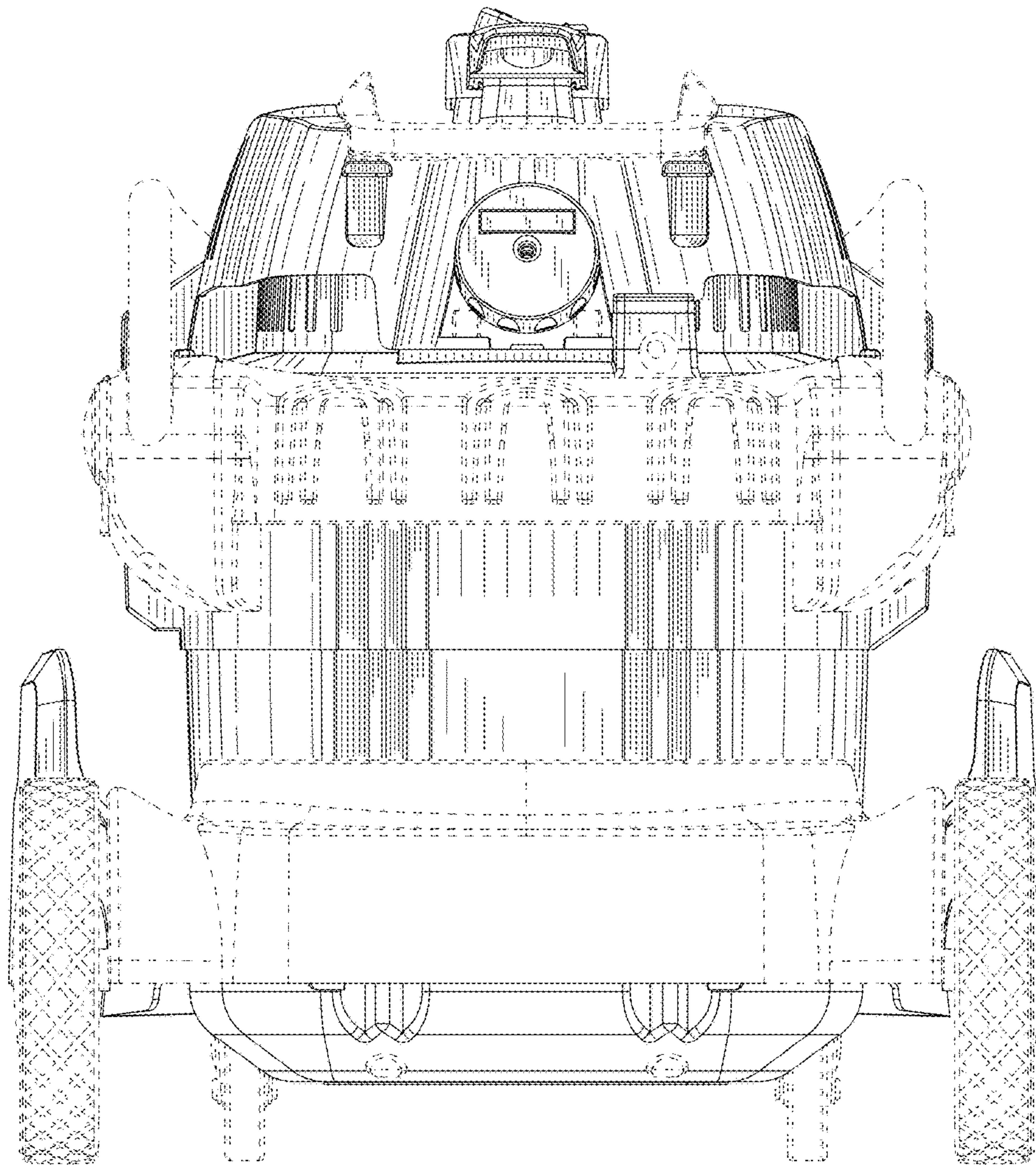


FIG. 6

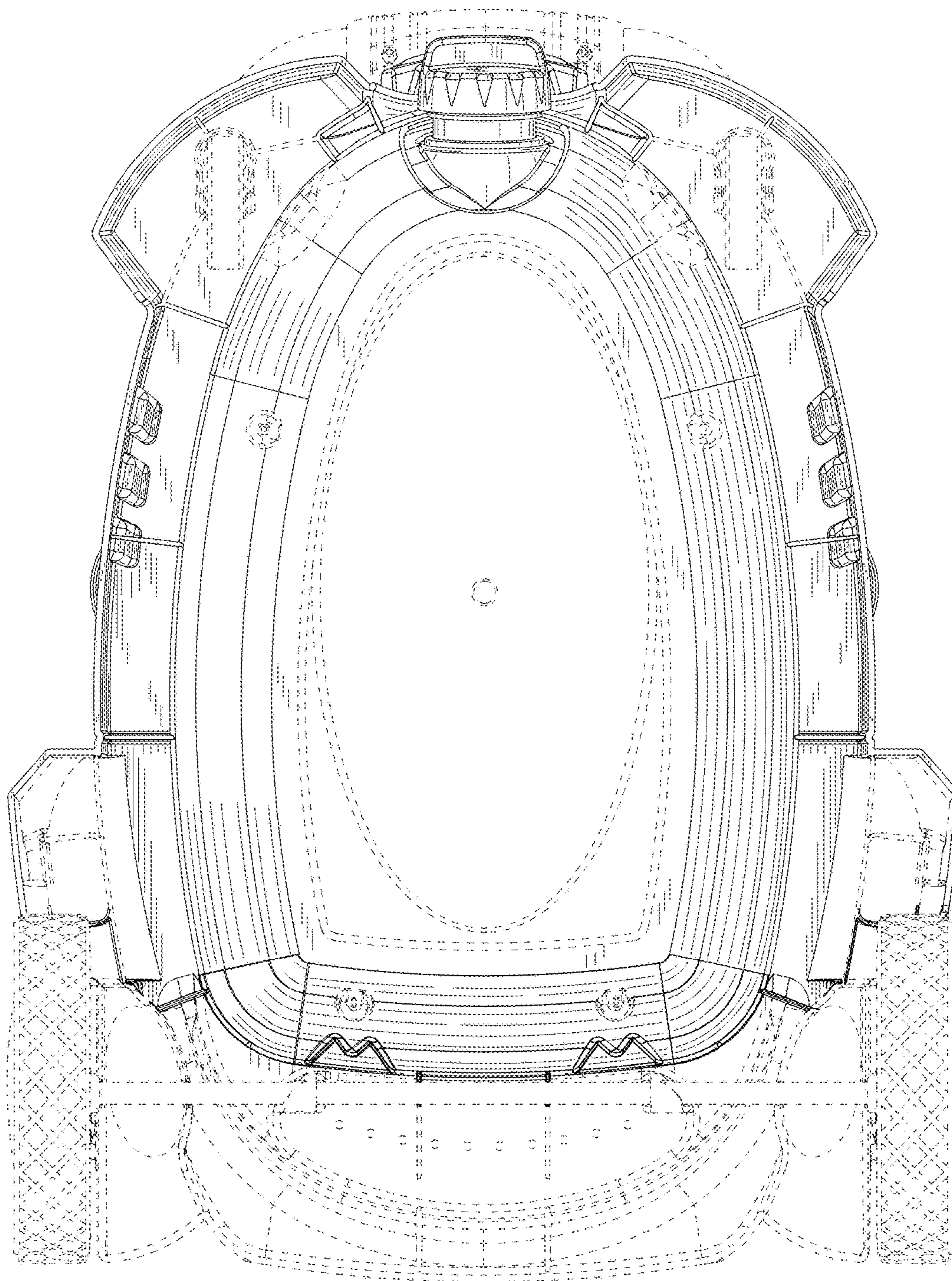


FIG. 7

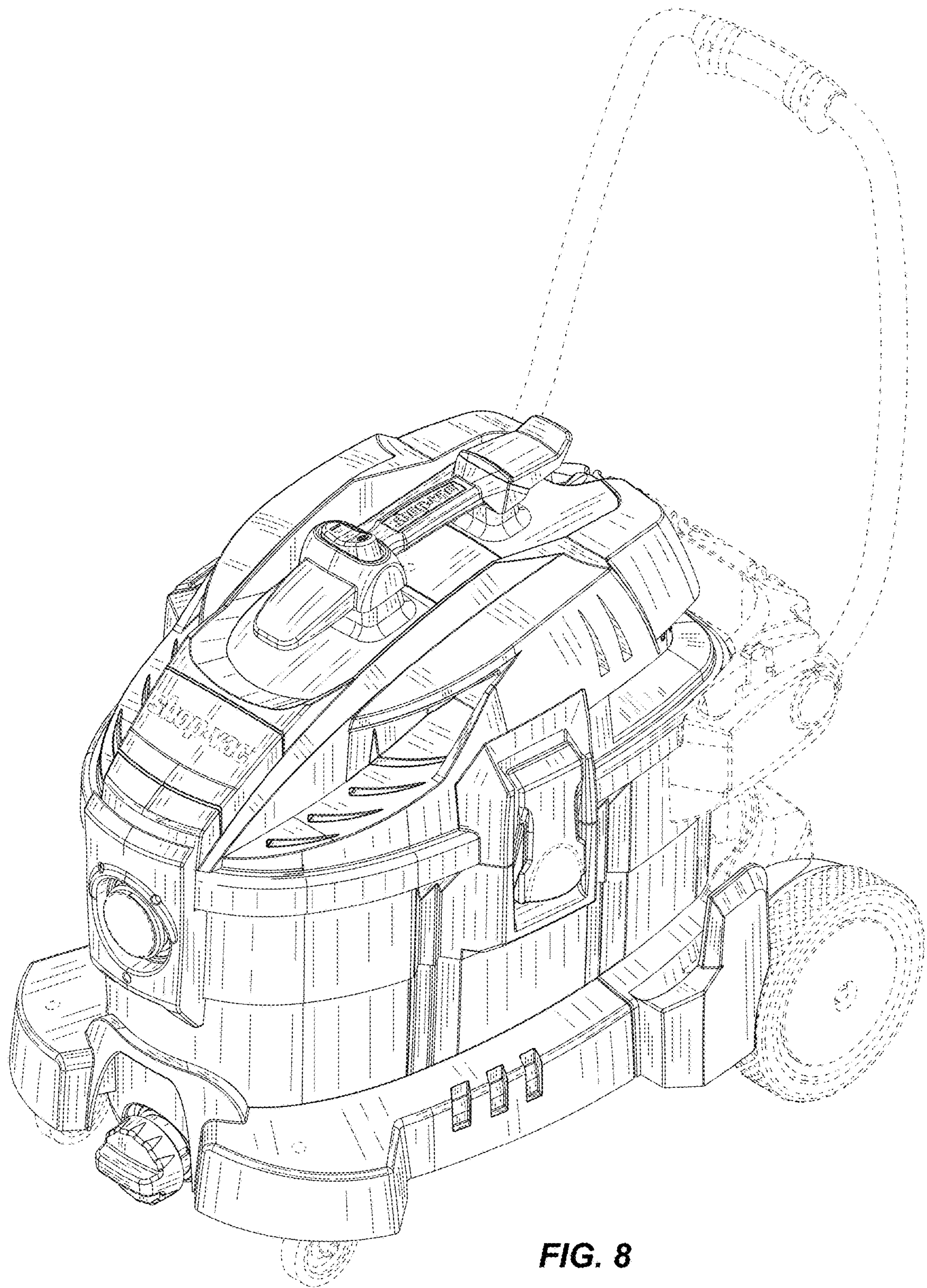


FIG. 8

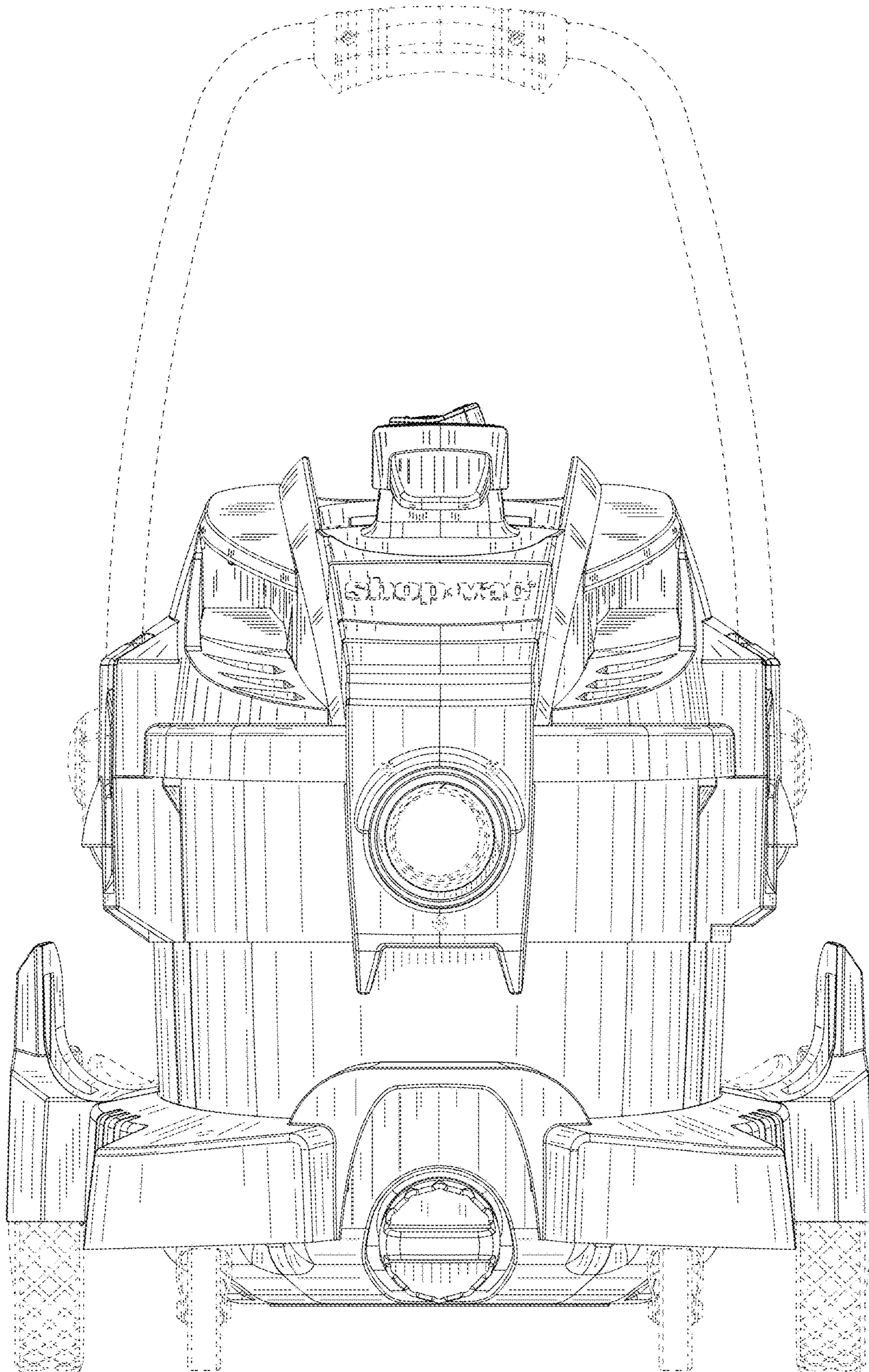


FIG. 9

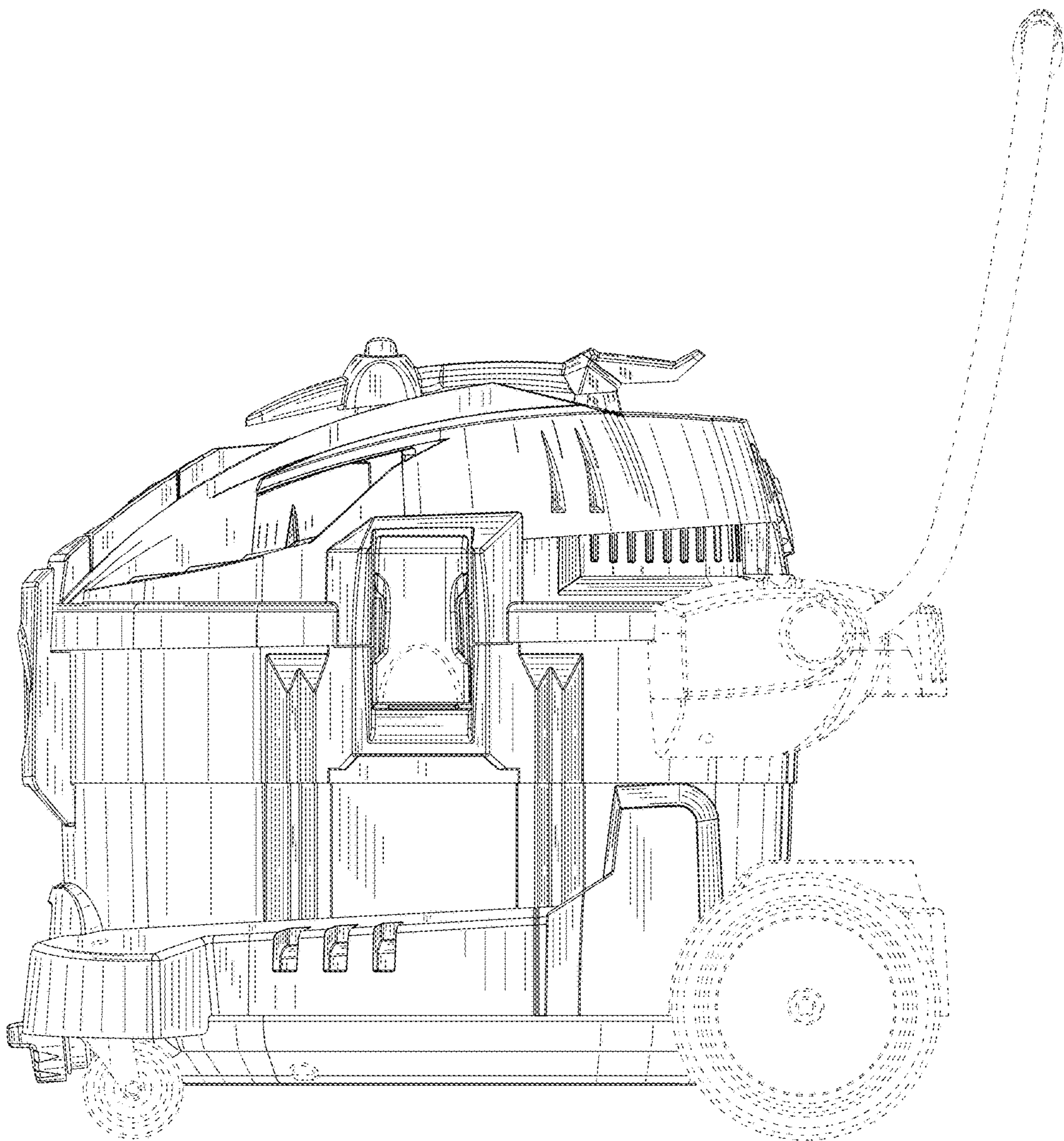


FIG. 10

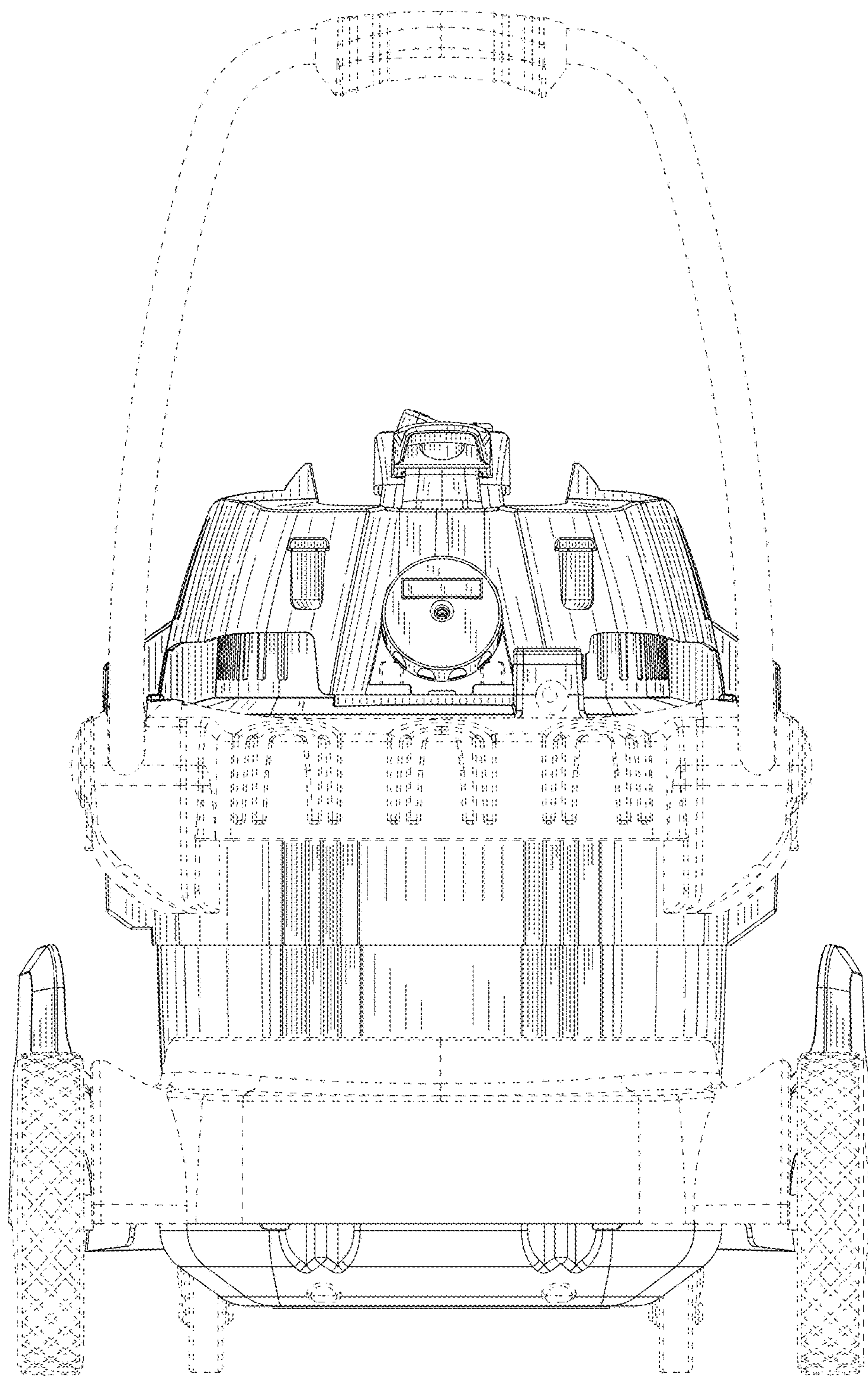


FIG. 11

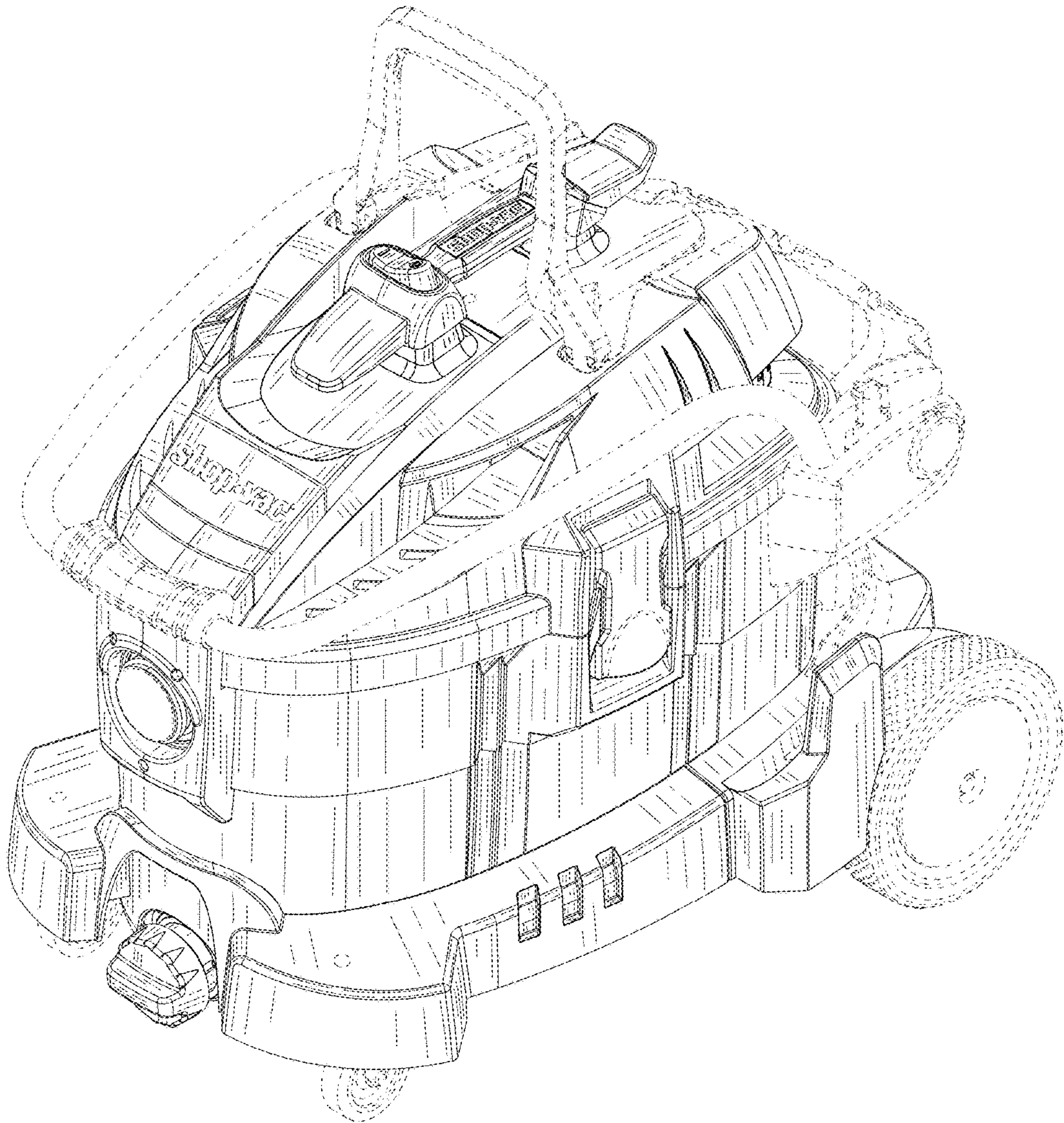


FIG. 12

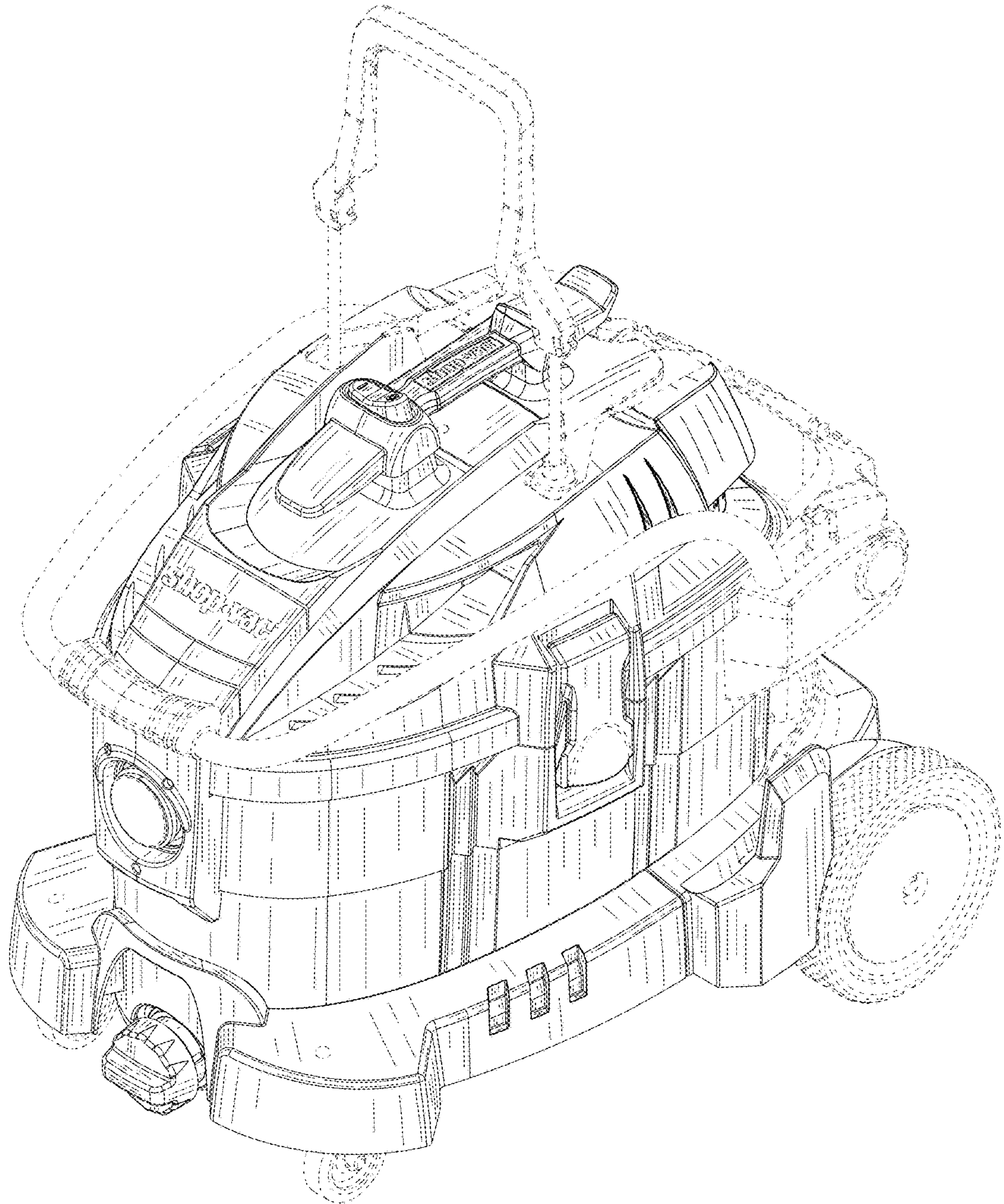


FIG. 13