



US00D834773S

(12) **United States Design Patent**
Crawley et al.

(10) **Patent No.:** **US D834,773 S**

(45) **Date of Patent:** **** Nov. 27, 2018**

(54) **STEAM CLEANER**

(56) **References Cited**

(71) Applicant: **BLACK & DECKER INC.**, New Britain, CT (US)

U.S. PATENT DOCUMENTS

(72) Inventors: **Graeme Crawley**, Newcastle upon Tyne (GB); **Stephen Houghton**, Newcastle upon Tyne (GB); **Martin Harnett**, Stockton on Tees (GB); **Ryan Hargett**, Durham (GB); **Paul Ringer**, Durham (GB)

D504,985 S *	5/2005	Buzzi	D32/17
D506,297 S *	6/2005	Buzzi	D32/17
D518,253 S *	3/2006	Erlich	D32/18
D522,191 S *	5/2006	Erlich	D32/18
D682,493 S *	5/2013	Erlich	D32/18
D685,542 S *	7/2013	Erlich	D32/18
D720,101 S *	12/2014	Erlich	D32/18
D725,327 S *	3/2015	Houghton	D32/18
D725,852 S *	3/2015	Houghton	D32/18
D726,383 S *	4/2015	Milligan	D32/18
D729,470 S *	5/2015	Choi	D32/18
D812,327 S *	3/2018	Houghton	D32/18

(73) Assignee: **BLACK & DECKER INC.**, New Britain, CT (US)

* cited by examiner

(**) Term: **15 Years**

Primary Examiner — Ruth McInroy

(21) Appl. No.: **29/642,417**

(74) *Attorney, Agent, or Firm* — John Yun

(22) Filed: **Mar. 29, 2018**

Related U.S. Application Data

(62) Division of application No. 29/586,614, filed on Dec. 6, 2016, now Pat. No. Des. 816,926.

(57) **CLAIM**

The ornamental design for a steam cleaner, as shown and described.

(30) **Foreign Application Priority Data**

Jun. 8, 2016 (EM) 003180157

(51) **LOC (11) Cl.** **15-05**

(52) **U.S. Cl.**
USPC **D32/18**

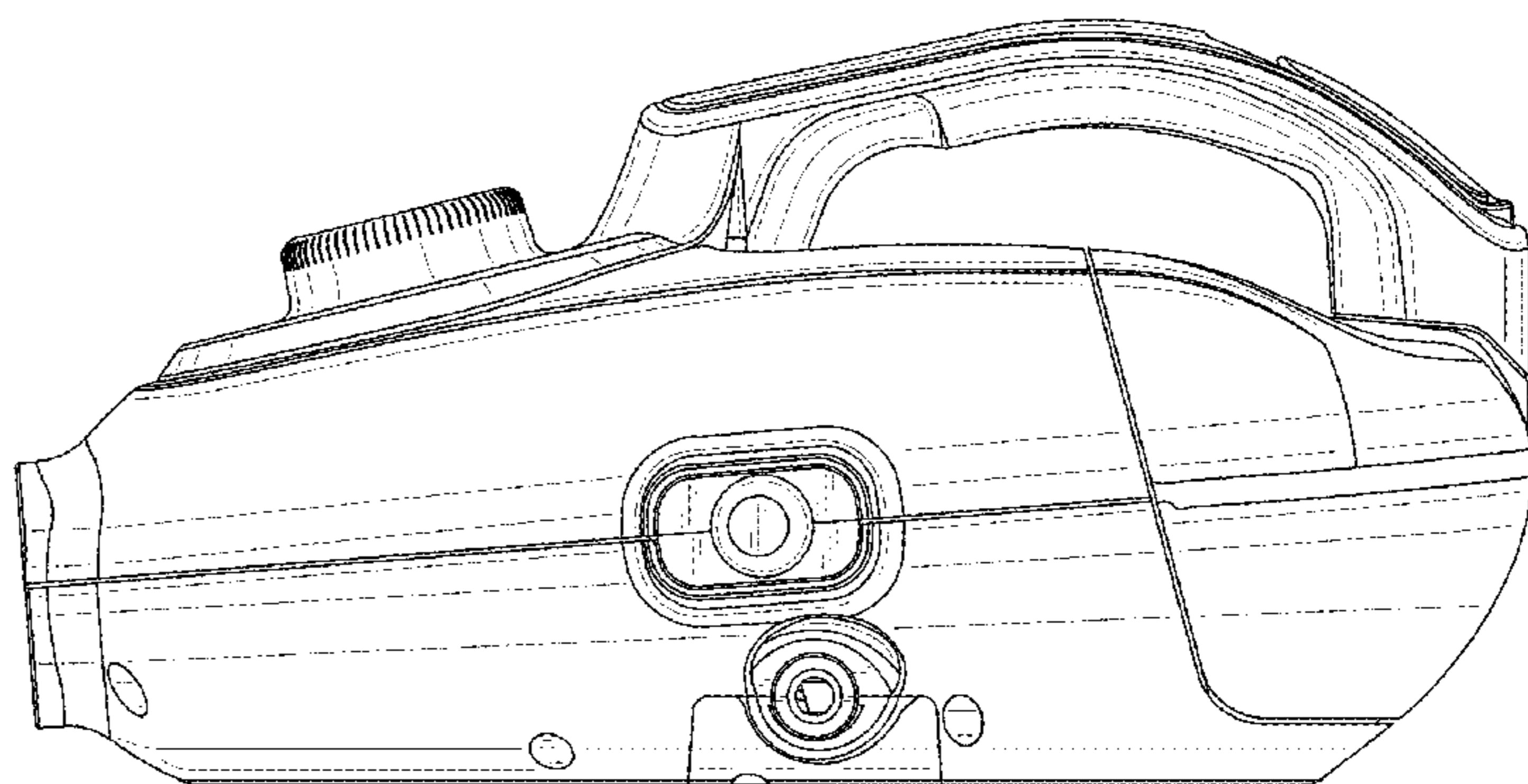
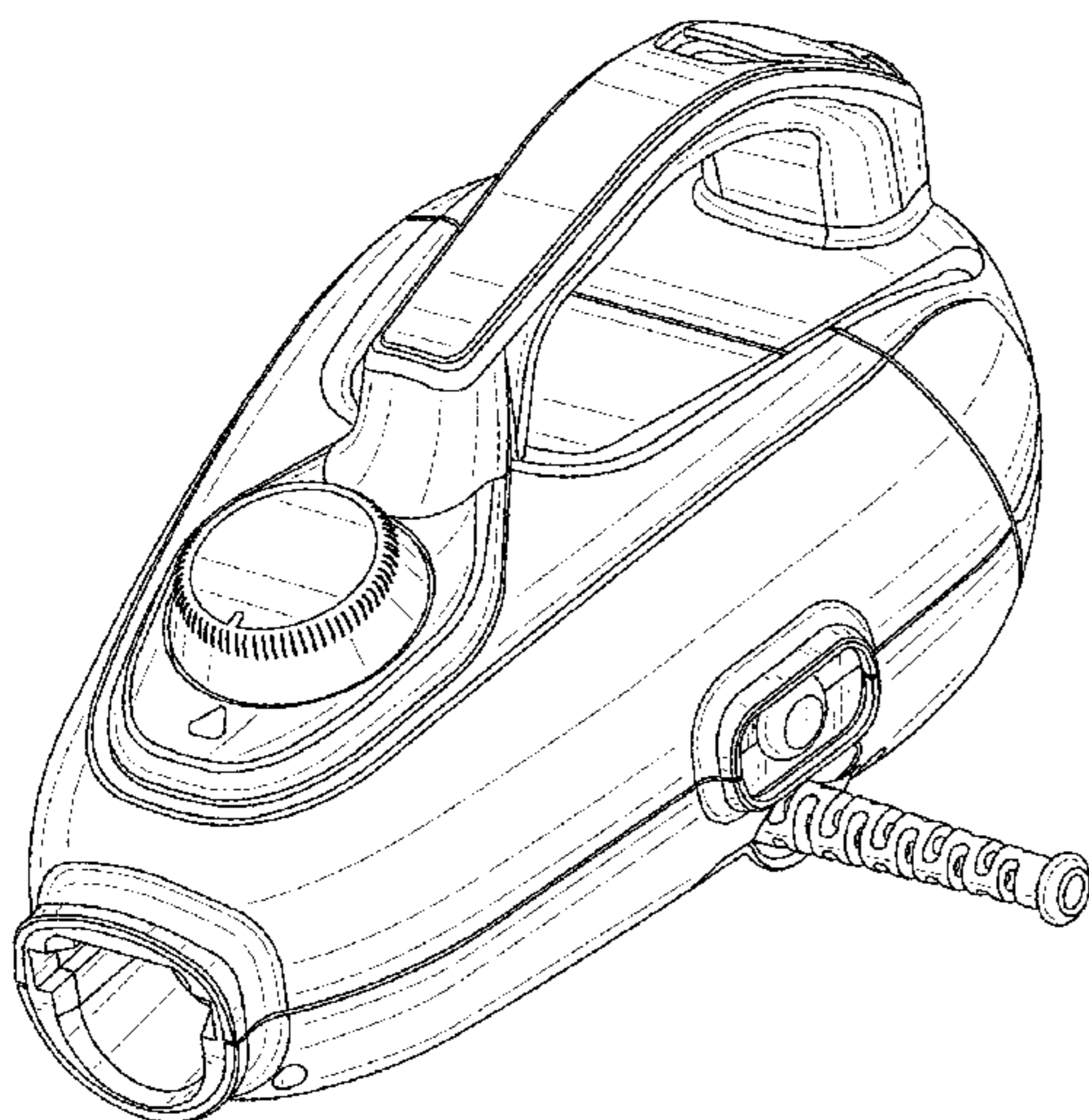
(58) **Field of Classification Search**
USPC D32/17, 18, 21, 24, 31
CPC D06F 87/00; D06F 75/06; D06F 73/00;
F22B 1/284; F24F 6/025; B44C 7/027;
A47L 11/34

See application file for complete search history.

DESCRIPTION

FIG. 1 is a perspective view of a steam cleaner showing our new design;
FIG. 2 is a left side thereof;
FIG. 3 is a right side thereof;
FIG. 4 is a front view thereof;
FIG. 5 is a rear view thereof;
FIG. 6 is a top view thereof; and,
FIG. 7 is a bottom view thereof.

1 Claim, 7 Drawing Sheets



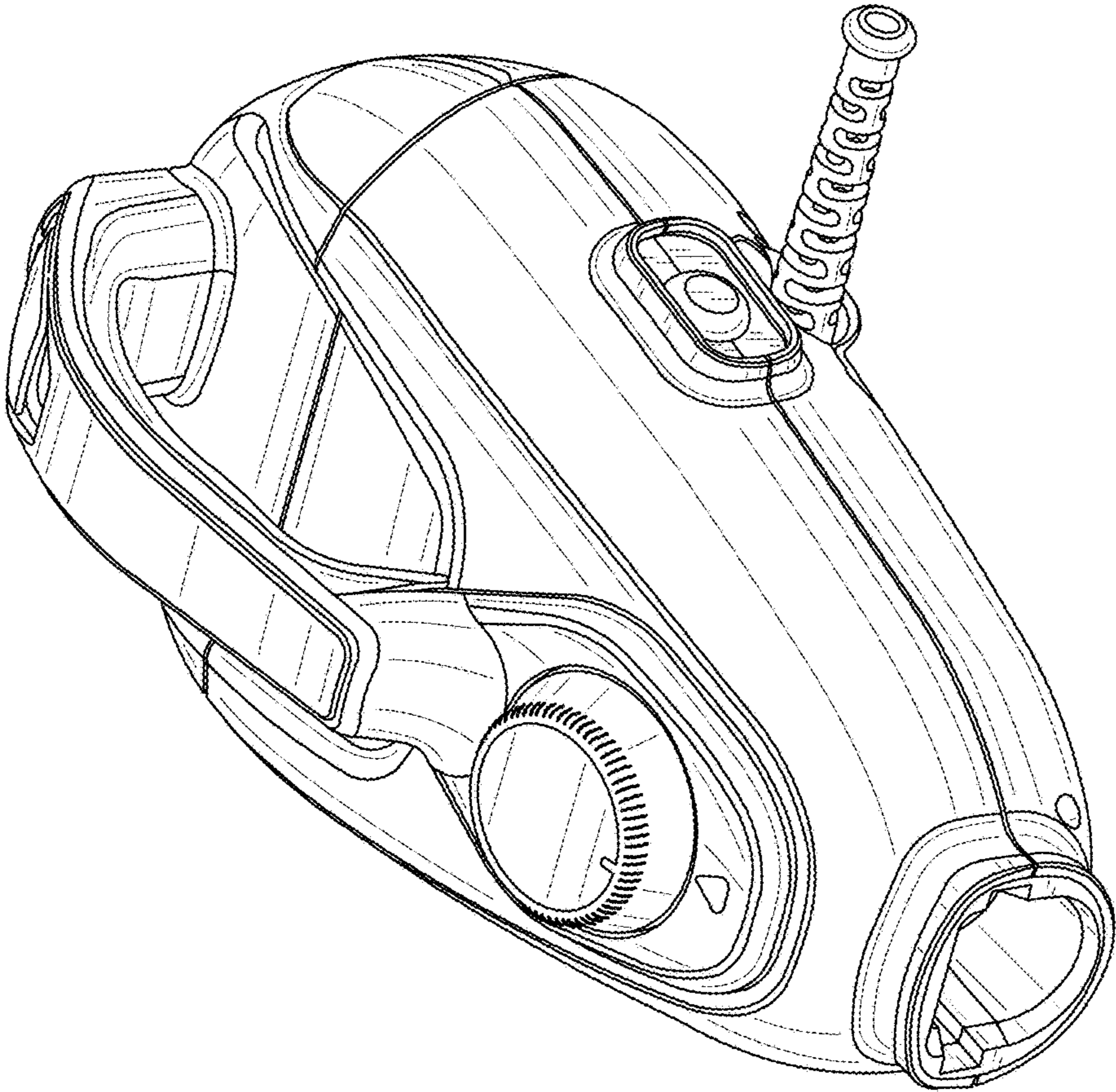


FIG.1

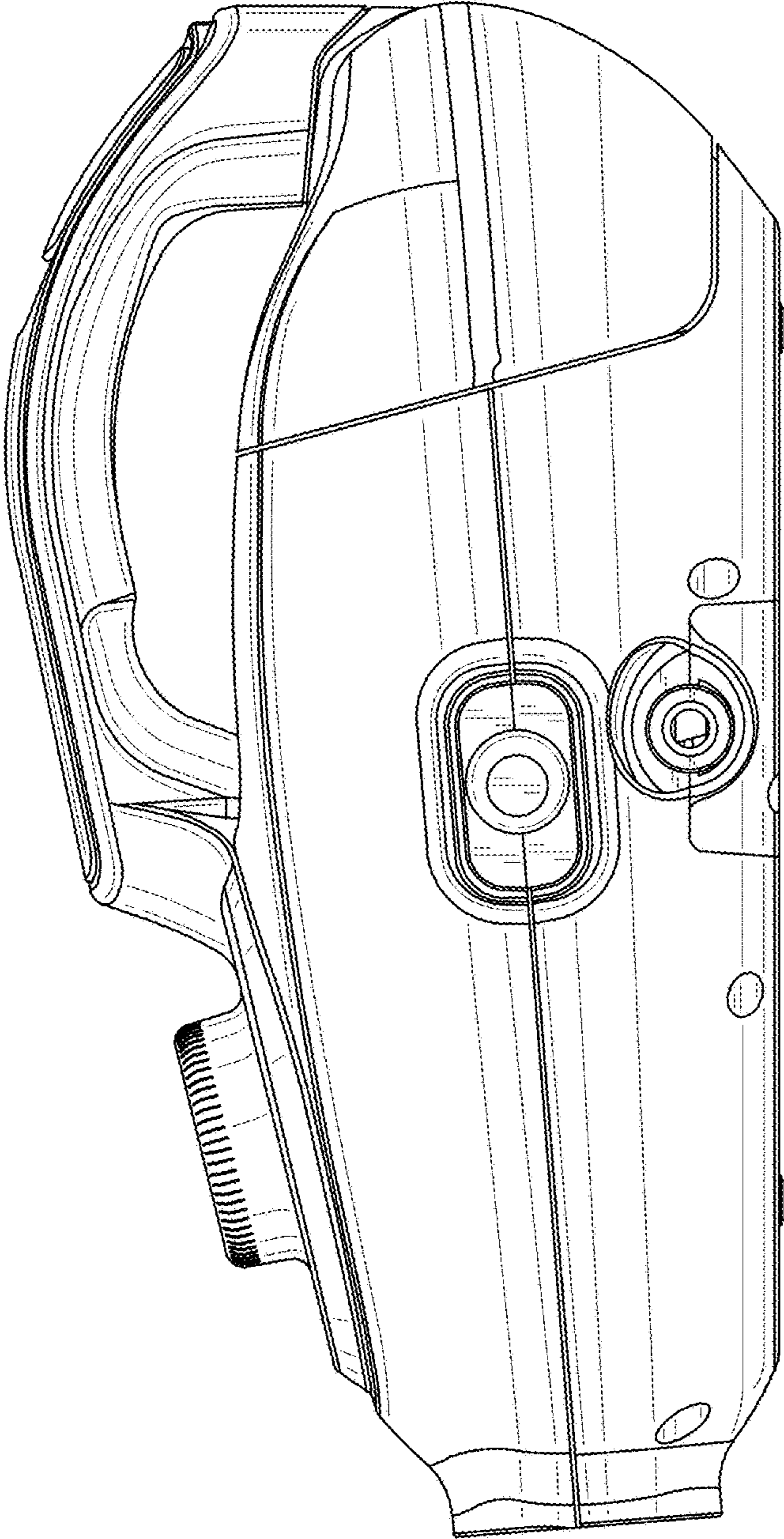


FIG.2

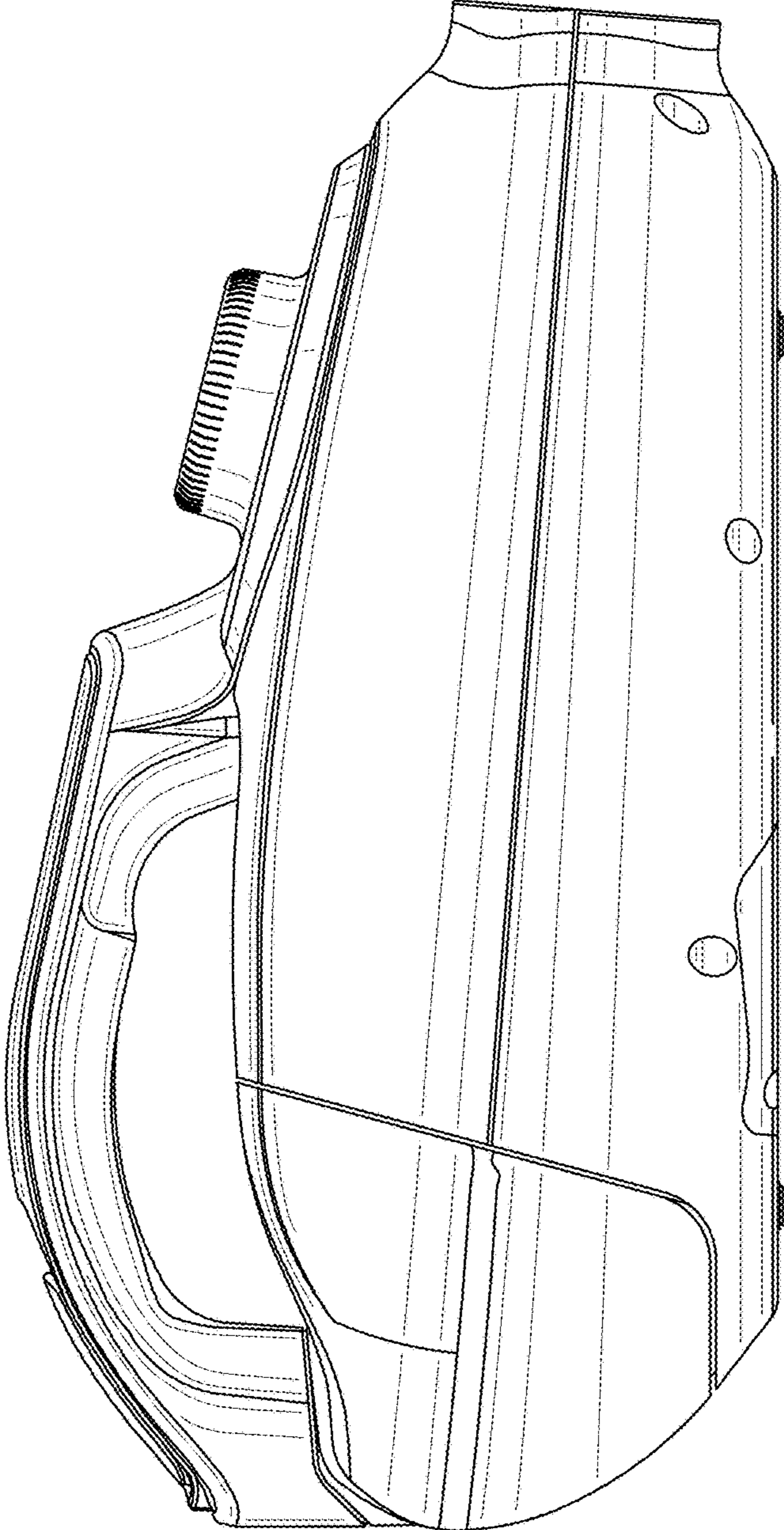


FIG.3

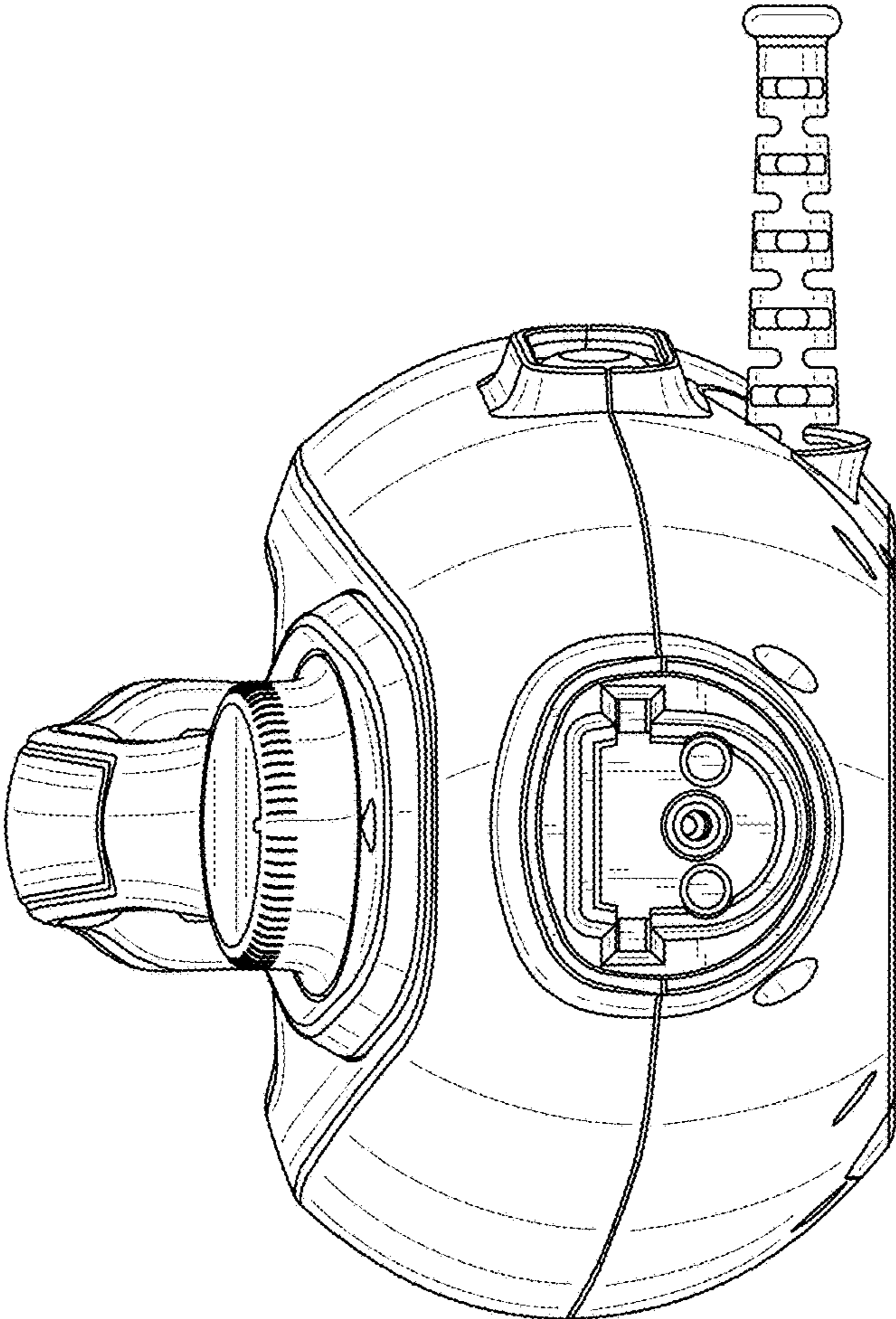


FIG.4

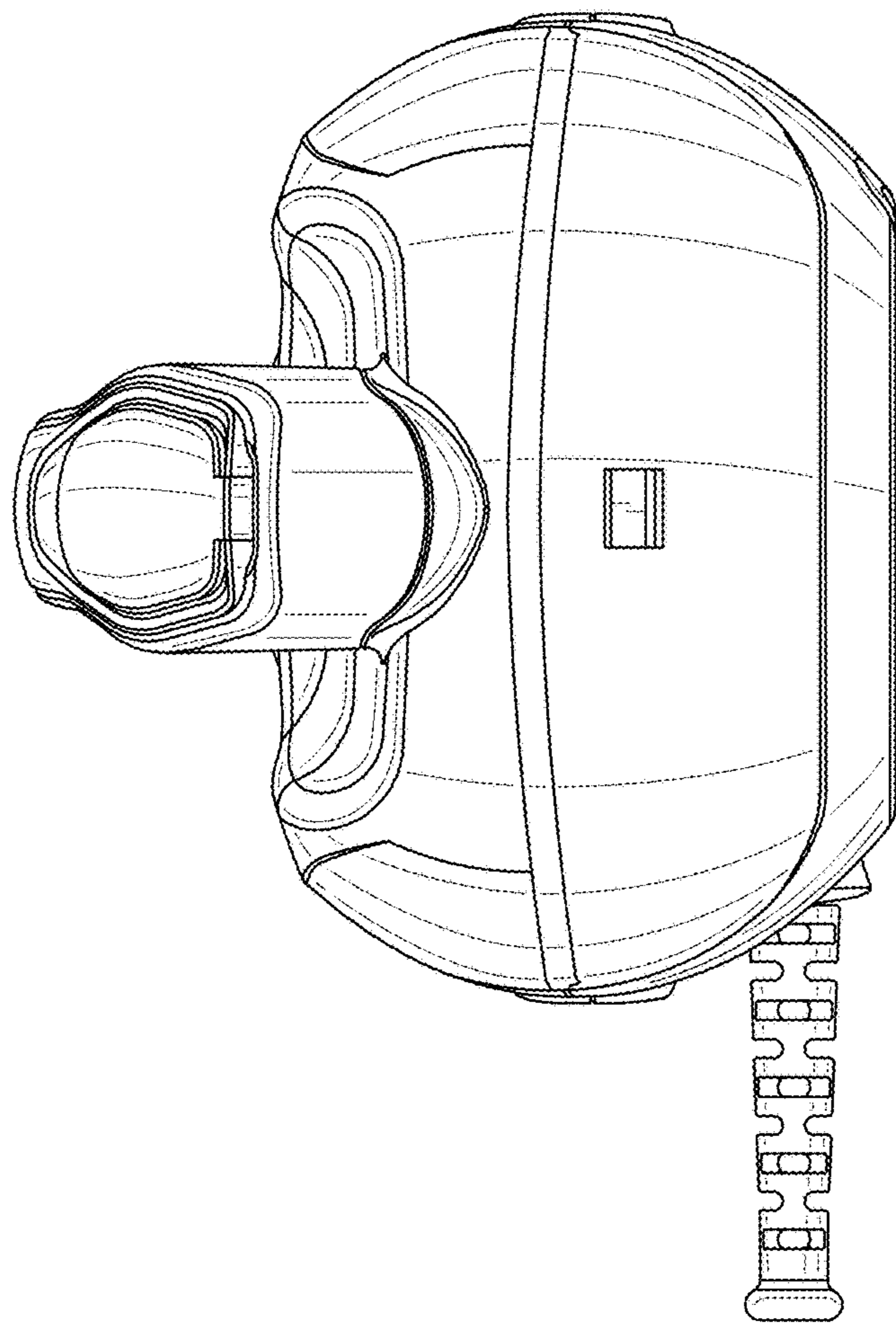


FIG.5

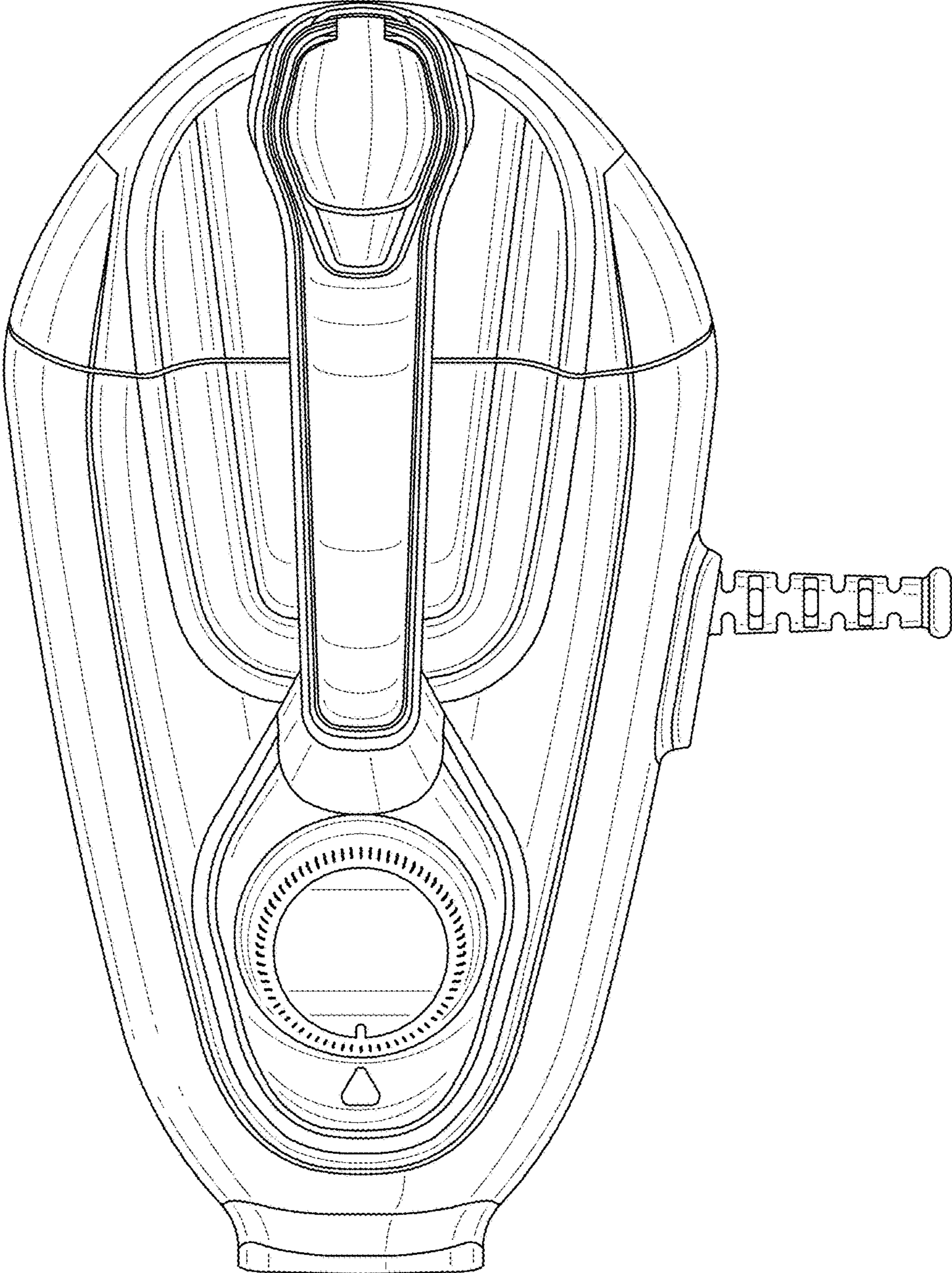


FIG.6

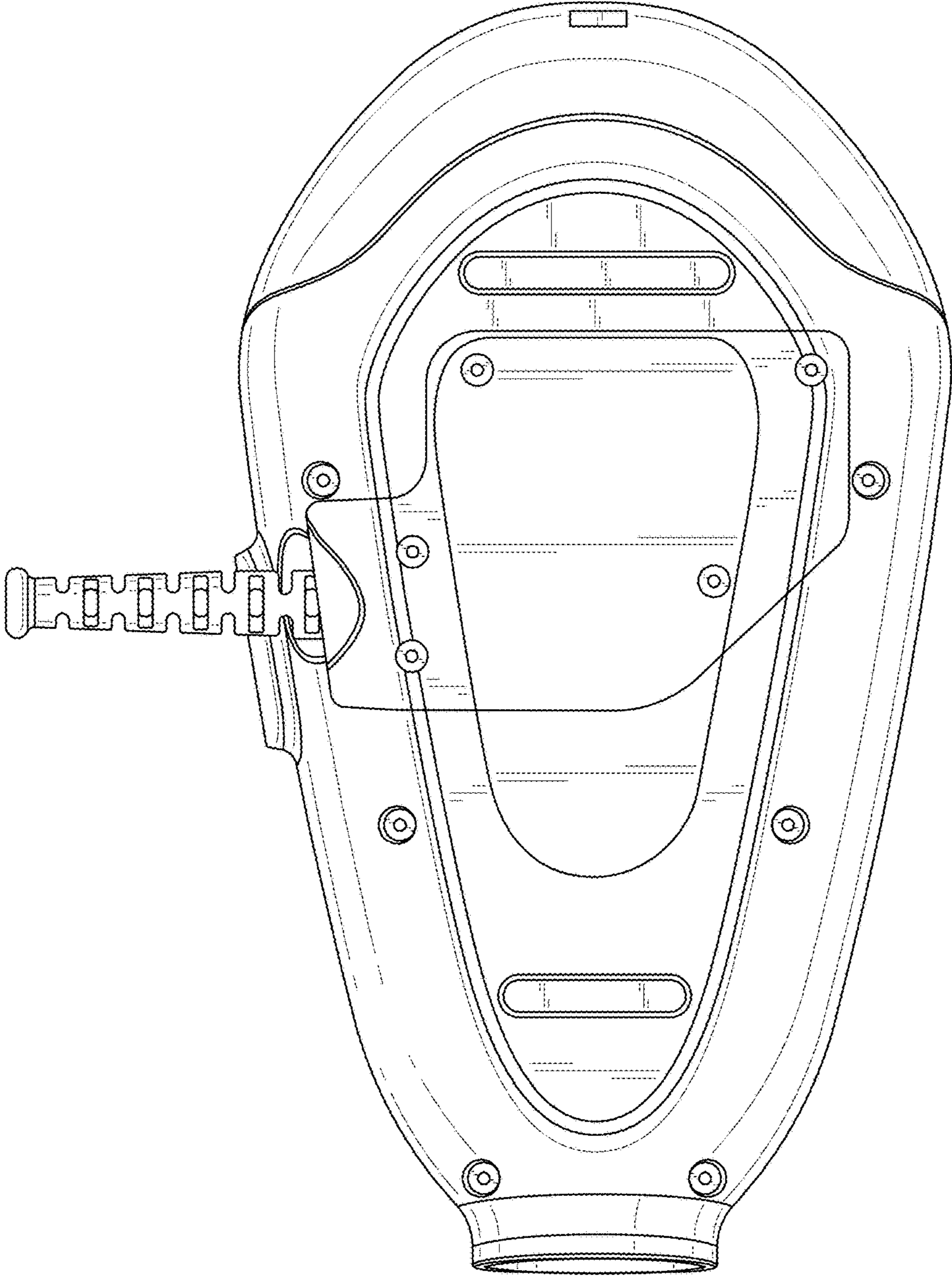


FIG.7