



US00D834769S

(12) **United States Design Patent**
Wen

(10) **Patent No.:** **US D834,769 S**

(45) **Date of Patent:** **** Nov. 27, 2018**

(54) **BARK CONTROL**

(71) Applicant: **Jian Wen**, Shanghai (CN)

(72) Inventor: **Jian Wen**, Shanghai (CN)

(**) Term: **15 Years**

(21) Appl. No.: **29/585,910**

(22) Filed: **Nov. 30, 2016**

(51) **LOC (11) Cl.** **30-99**

(52) **U.S. Cl.**
USPC **D30/199; D10/104.1**

(58) **Field of Classification Search**
USPC **D30/151-155, 144, 199, 160;**

119/792-798, 850, 855-859, 863-865,
119/654, 905, 907, 815, 712, 802, 784,
119/769, 760, 776, 862, 908, 860,
119/719-721; 242/381.1-381.2, 385.4,
242/378.3, 376.1, 385.1, 916, 601, 570,
242/405, 404, 371, 223, 170, 388.1,
242/405.2, 377, 381.3, 381.6, 405.3,
242/388.6, 384.7, 382, 396.1, 404.1, 380;
362/108; 33/767, 769, 414; D12/400;
D3/229, 230, 207, 208, 215; 40/1.5, 455,
40/640, 303; 206/63.3, 459.5, 702, 408;
D6/515; D8/358, 360, 347, 360.1, 359,
D8/356, DIG. 1; D24/145, 167, 186, 146,
D24/169; D10/57, 72, 106.1, 104.1,
D10/104.2, 109.2, 70, 97, 98, 78, 65;
D20/28; 224/666, 678; 16/445; 283/74,
283/70; D11/232, 200, 216, 1, 2, 86, 87,
D11/201, 206-210, 212-215, 218;
24/163 K, 122.3, 323, 702, 600.4-600.7,
24/163 R, 169-171, 173, 177-179, 191,
24/194, 195, 197, 200, 303, 616, 635,
24/313, 615, 3, 6, 3 K, 599.2, 96, 221,
24/237, 311, 312, 314, 321, 338, 339,
24/309; 428/3, 4; 54/76, 1, 71; 63/29.1,
63/3; 191/12.2 R, 12.4; D13/154, 153,
D13/137.4, 155, 103, 168; D19/69, 67;
379/438; 446/26; 473/576; D22/140;

174/135; 439/504, 13, 501; D34/33;
188/83, 82.1, 65.1; 254/134.3 FT;
D29/124; D2/627, 624, 633, 625;
132/145, 146, 148; 2/314; 59/79.1;
340/573.3, 573.1, 573; 343/895;
278/8 AES; 231/7; 361/232; D14/344,
D14/341, 137, 496, 203.5, 203.3, 144,
D14/218, 188, 216, 192; 342/357.51,
342/357.57, 357.52, 357.55
CPC A01K 15/021; A01K 15/02; A01K 15/022;
A01K 15/023; A01K 15/029; A01K
15/04; A01K 15/00; A01K 15/006; A01K
12/022; A01K 27/009; A01K 27/00;
A01K 27/001;

(Continued)

(56) **References Cited**

U.S. PATENT DOCUMENTS

D238,725 S * 2/1976 Zerobnick et al. D3/226
4,612,719 A * 9/1986 de Jong A01K 11/006
119/859

(Continued)

Primary Examiner — Susan Moon Lee

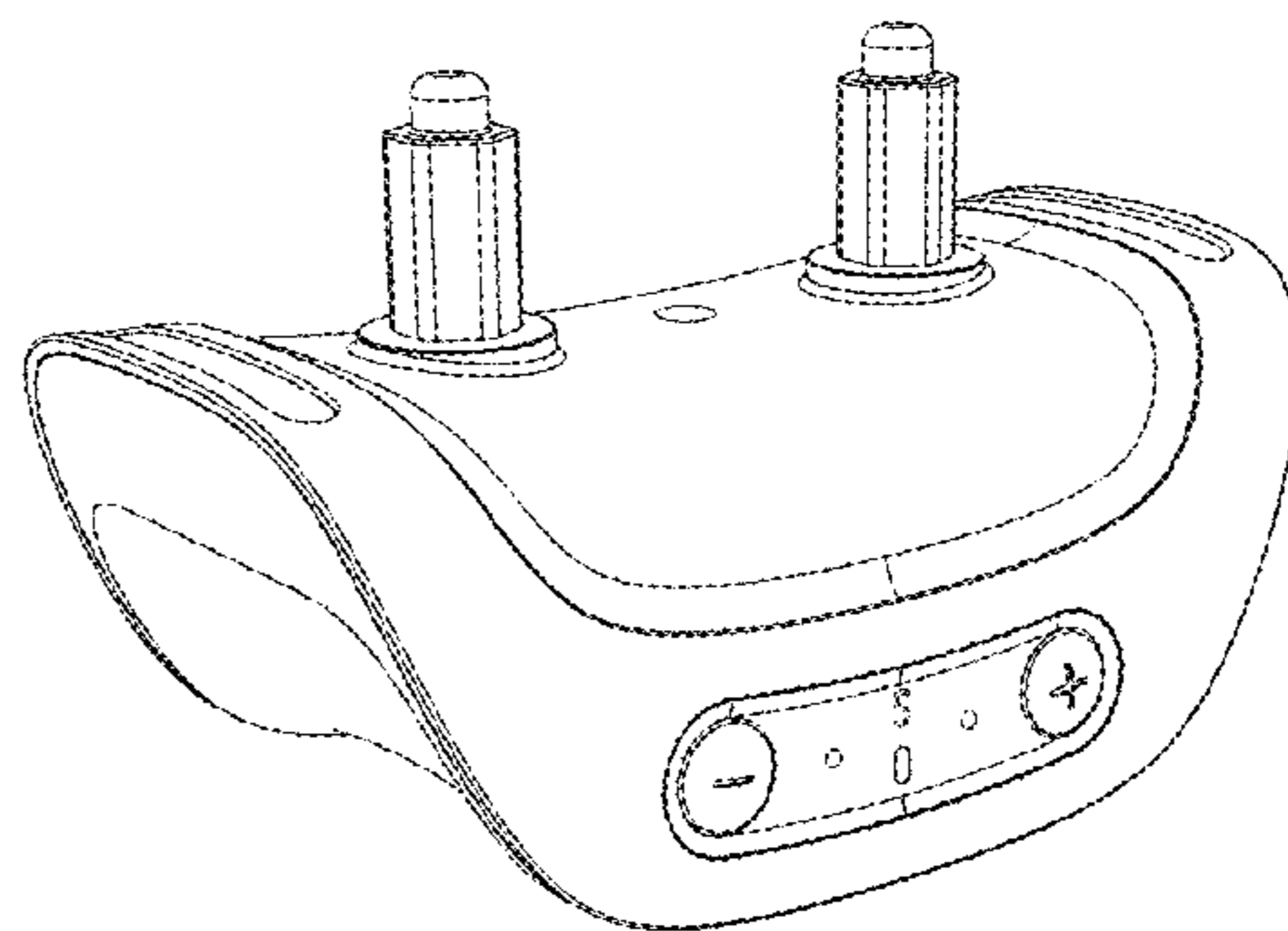
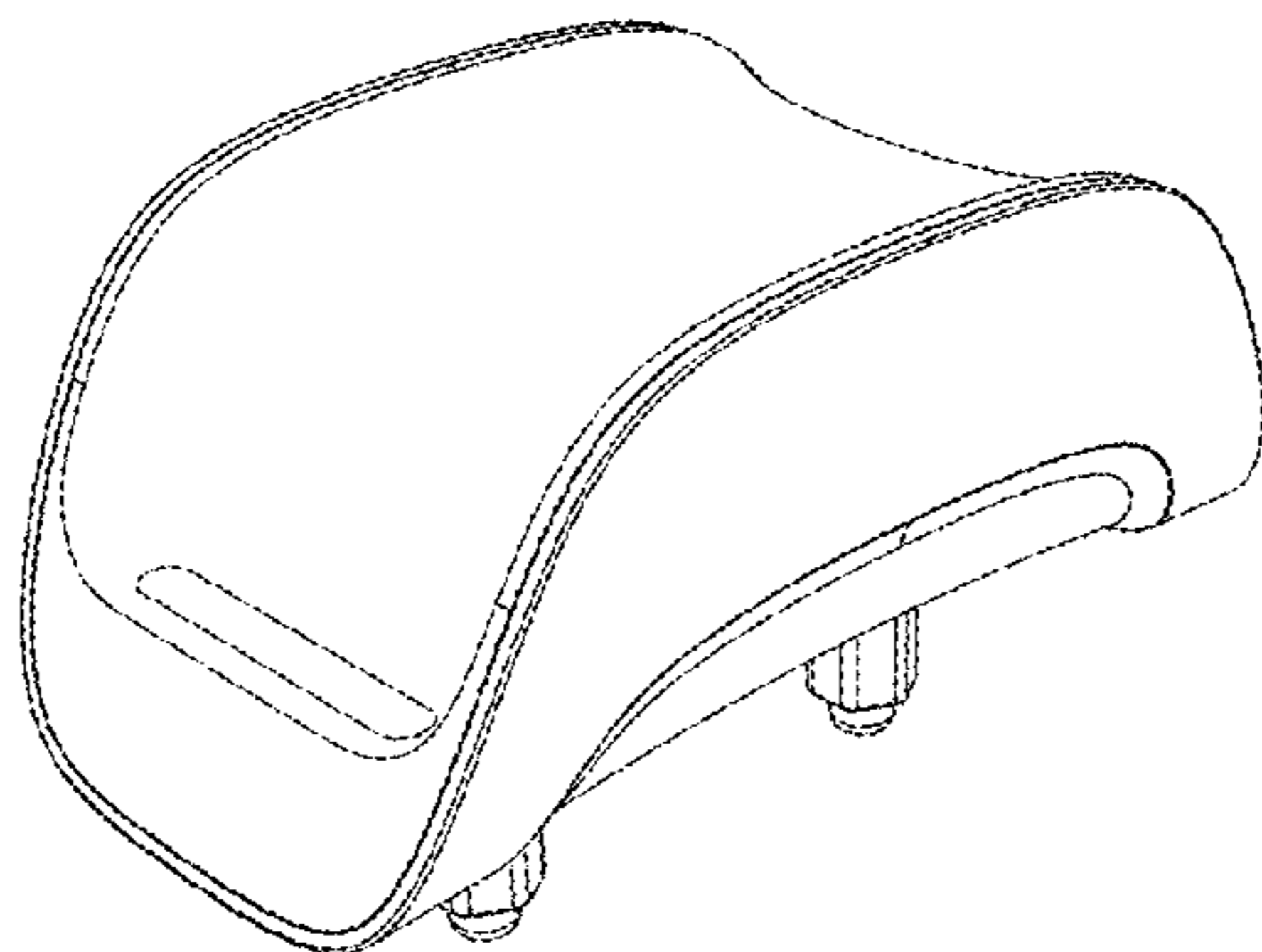
(57) **CLAIM**

The ornamental design for a bark control, as shown.

DESCRIPTION

FIG. 1 is a front elevational view of a bark control showing my new design;
FIG. 2 is a rear elevational view thereof;
FIG. 3 is a left side view thereof;
FIG. 4 is a right side view thereof;
FIG. 5 is a top plan view thereof;
FIG. 6 is a bottom plan view thereof;
FIG. 7 is a perspective view thereof;
FIG. 8 is a second perspective view thereof; and,
FIG. 9 is a third perspective view thereof.

1 Claim, 4 Drawing Sheets



(58) **Field of Classification Search**

CPC . A01K 27/006–27/008; A01K 29/005; A01K 29/00; A61B 5/0002–5/0028; A61B 5/681; A61B 5/6822; A61B 5/6824; A61B 5/6829

See application file for complete search history.

(56) **References Cited**

U.S. PATENT DOCUMENTS

4,983,846 A * 1/1991 Rios A61B 5/1172
250/341.8
5,046,453 A * 9/1991 Vinci A01K 15/00
119/654
D387,898 S * 12/1997 Ronzani D3/215
D400,458 S * 11/1998 Titus D10/104.1
D410,206 S * 5/1999 Slater D10/104.1
D520,894 S * 5/2006 Zakharyan D30/199
D597,676 S * 8/2009 Copeland D24/187
D621,726 S * 8/2010 Lattmann D10/38
D631,552 S * 1/2011 Kasabach D24/186
D645,968 S * 9/2011 Kasabach D24/186
D657,098 S * 4/2012 So D30/152
D659,304 S * 5/2012 Vatka D30/155
D665,952 S * 8/2012 Guo D30/152
D673,334 S * 12/2012 Guo D30/152
D706,159 S * 6/2014 Ma D11/3
D709,047 S * 7/2014 Jennings D14/167
D715,675 S * 10/2014 Ma D11/3
D726,052 S * 4/2015 Henning D10/70
D742,373 S * 11/2015 Ji D10/38
D742,817 S * 11/2015 Lammers-Meis D13/103
D745,229 S * 12/2015 Pulliam D30/199
D745,868 S * 12/2015 Choi D10/32
D746,477 S * 12/2015 Cha D24/186
D747,566 S * 1/2016 Pulliam D30/199
D748,350 S * 1/2016 Pulliam D30/199
9,247,714 B1 * 2/2016 Tait A01K 15/021
D751,069 S * 3/2016 Choi D10/32
D751,210 S * 3/2016 Thomas D24/186
D752,043 S * 3/2016 Ji D10/38

D752,578 S * 3/2016 Ji D14/344
D752,581 S * 3/2016 Jung D14/344
9,332,812 B2 * 5/2016 Ma A44C 15/0015
D759,324 S * 6/2016 Pulliam D30/199
D761,499 S * 7/2016 Pulliam D30/199
D762,333 S * 7/2016 Pulliam D30/199
D792,597 S * 7/2017 Ahmed D24/186
D794,261 S * 8/2017 Pulliam D30/152
D818,855 S * 5/2018 Tooze D10/70
D822,019 S * 7/2018 Komulainen D14/344
D824,899 S * 8/2018 Yang D14/344
D826,763 S * 8/2018 Chuang D11/3
2003/0122678 A1 * 7/2003 Duncan A01K 15/021
340/573.3
2004/0162875 A1 * 8/2004 Brown G08B 5/223
709/203
2005/0059909 A1 * 3/2005 Burgess A61F 7/007
601/15
2005/0211187 A1 * 9/2005 Harman A01K 15/023
119/721
2005/0277855 A1 * 12/2005 Tanaka A01K 15/022
601/46
2007/0209604 A1 * 9/2007 Groh A01K 15/021
119/858
2007/0227465 A1 * 10/2007 Gerig A01K 15/021
119/859
2008/0061990 A1 * 3/2008 Milnes A01K 15/023
340/573.1
2009/0289844 A1 * 11/2009 Palsgrove A01K 15/021
342/357.55
2011/0232585 A1 * 9/2011 Rich A01K 15/023
119/721
2013/0027207 A1 * 1/2013 Goetzl A01K 11/008
340/573.3
2013/0233252 A1 * 9/2013 Bellon A01K 15/021
119/720
2015/0040839 A1 * 2/2015 Goetzl A01K 15/023
119/720
2018/0132450 A1 * 5/2018 Goetzl A01K 27/009
2018/0153137 A1 * 6/2018 Goetzl A01K 15/022
2018/0153138 A1 * 6/2018 Goetzl A01K 15/022

* cited by examiner

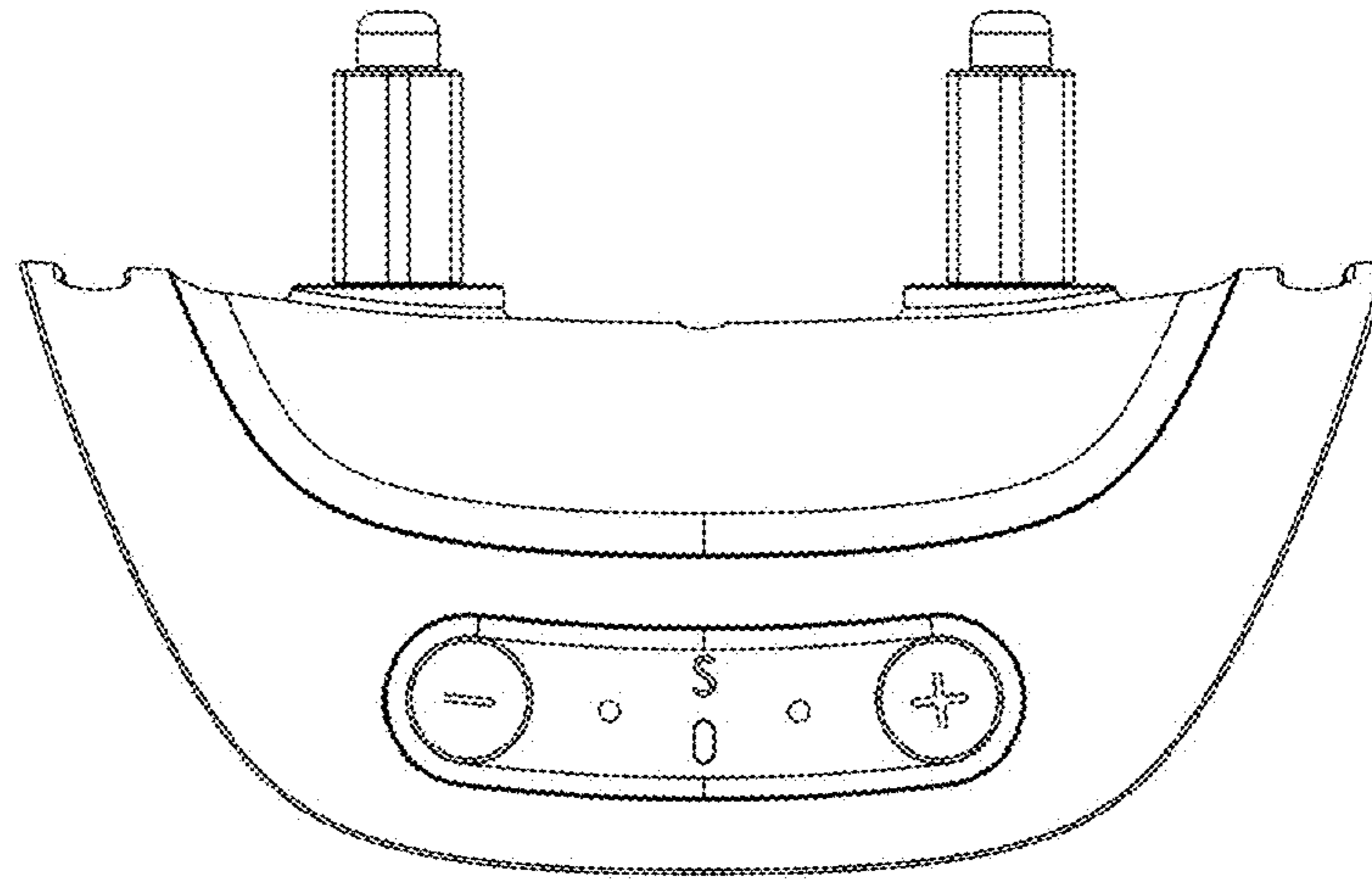


FIG. 1

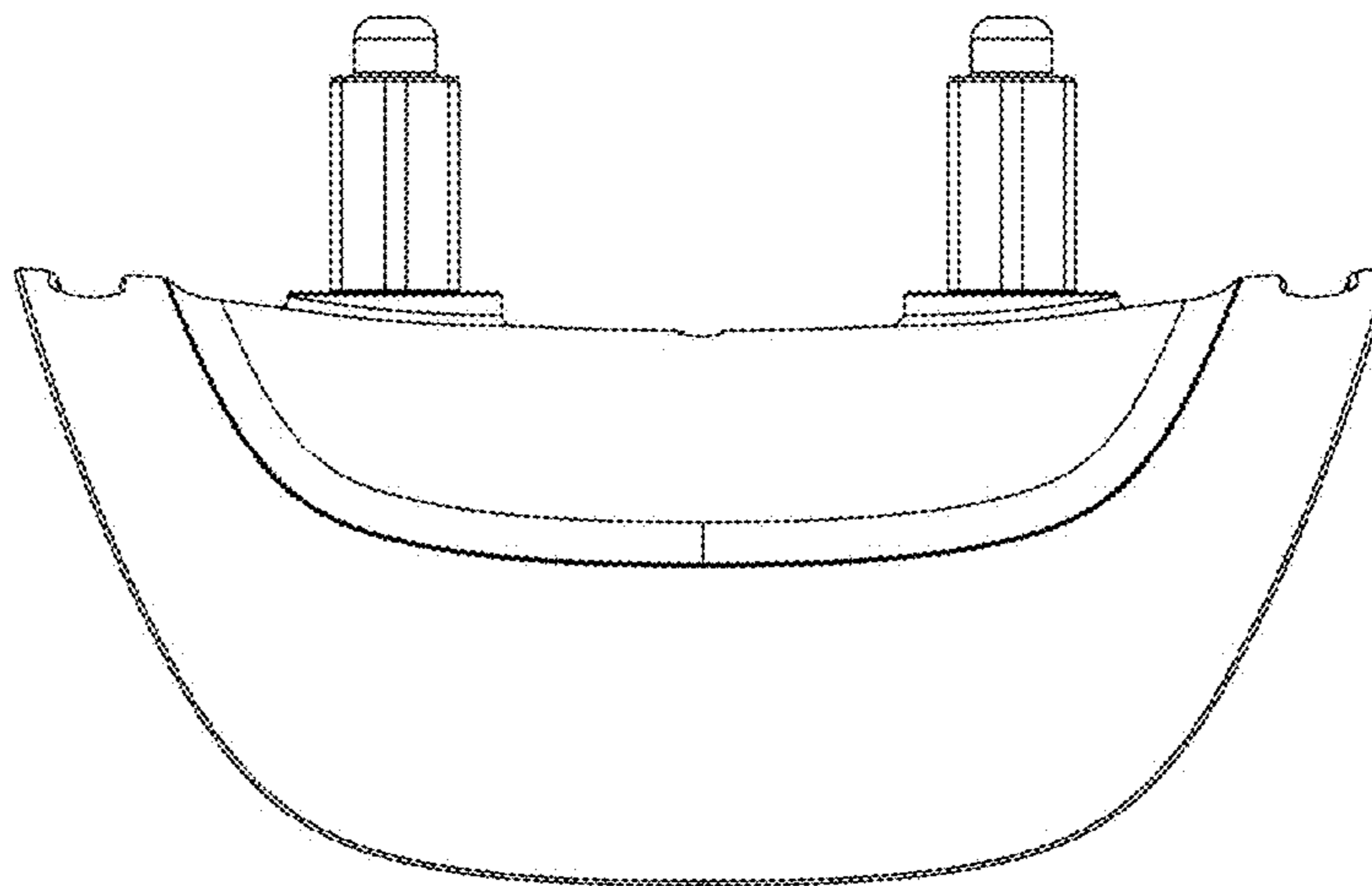


FIG. 2

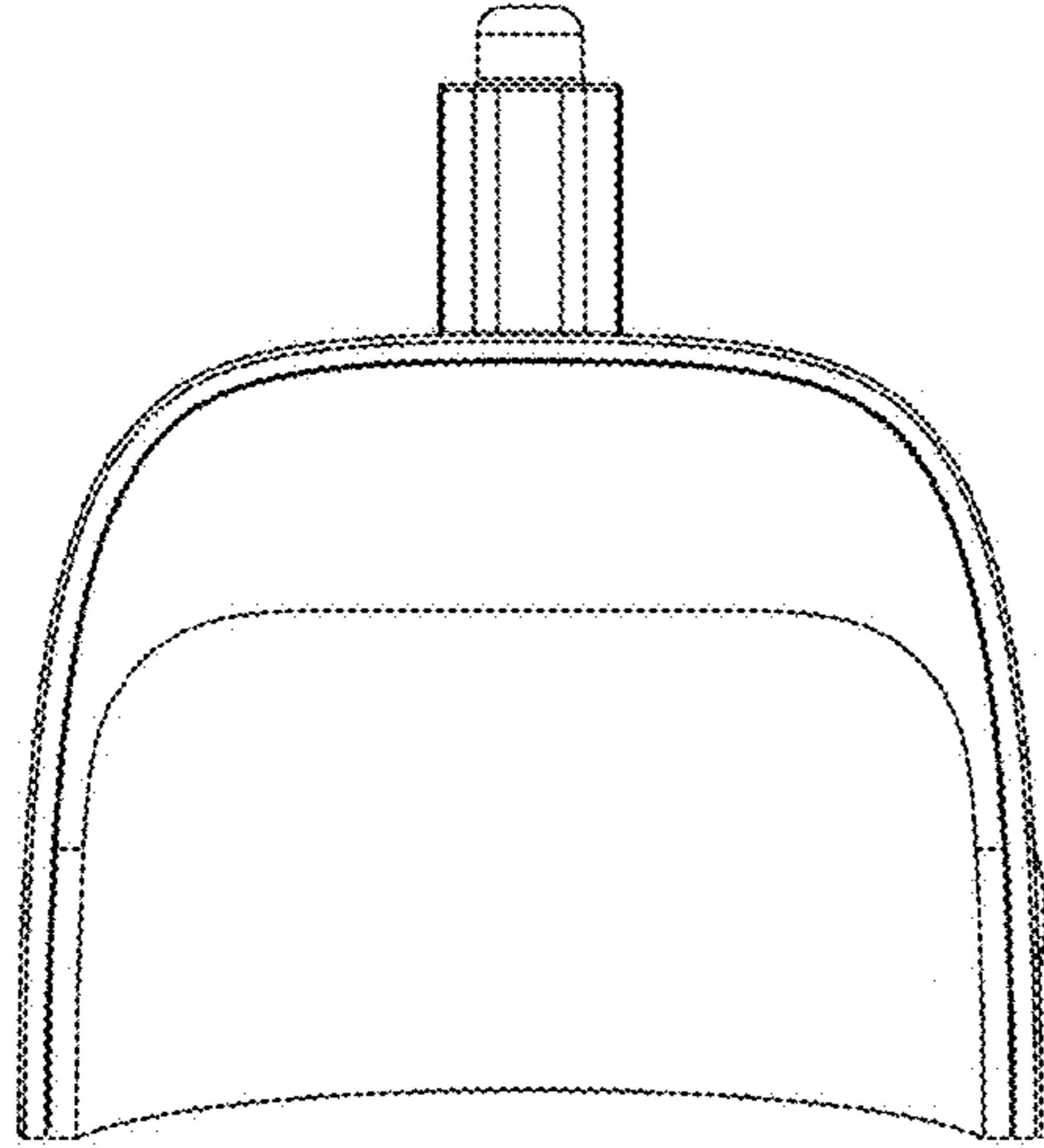


FIG. 3

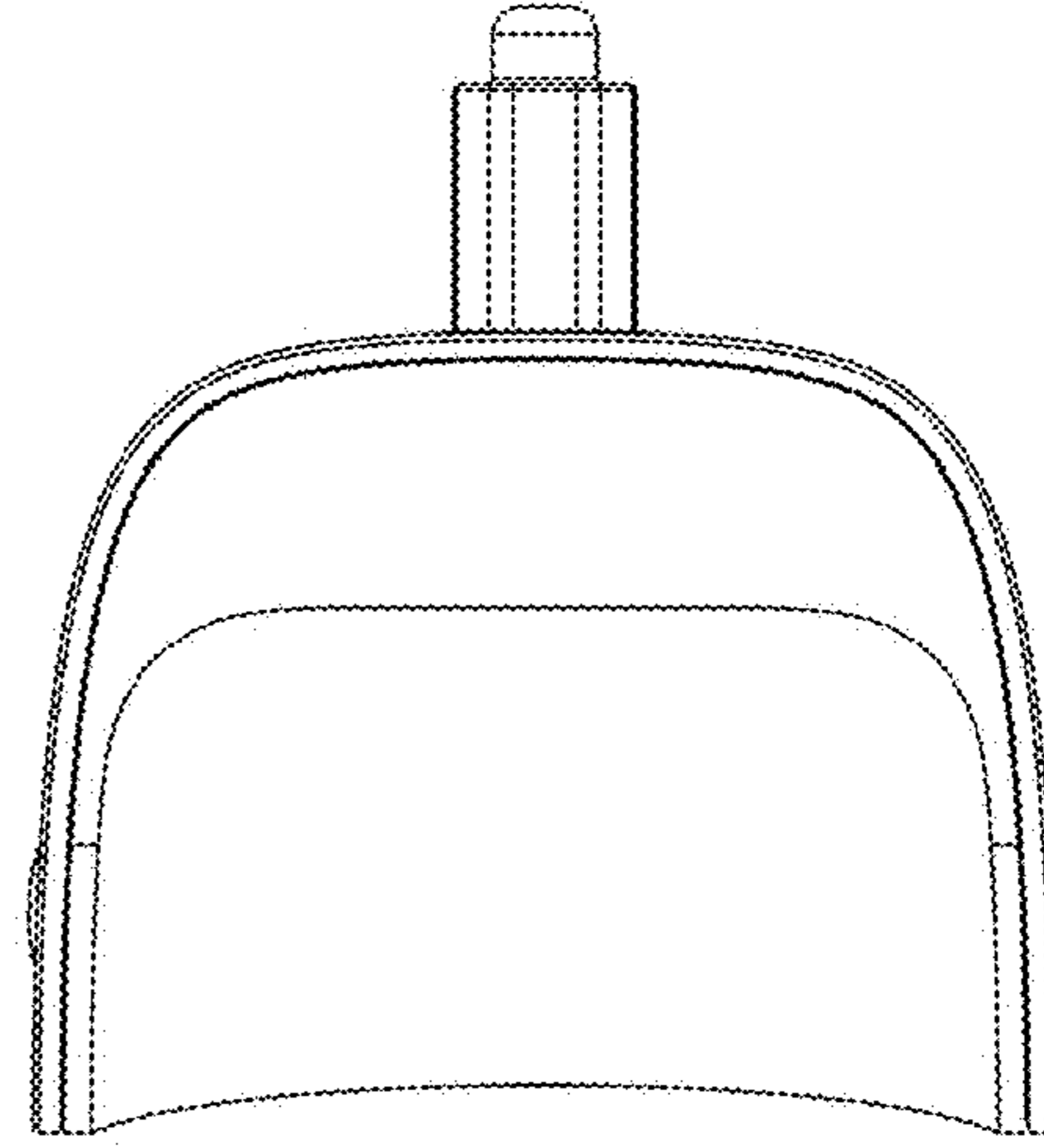


FIG. 4

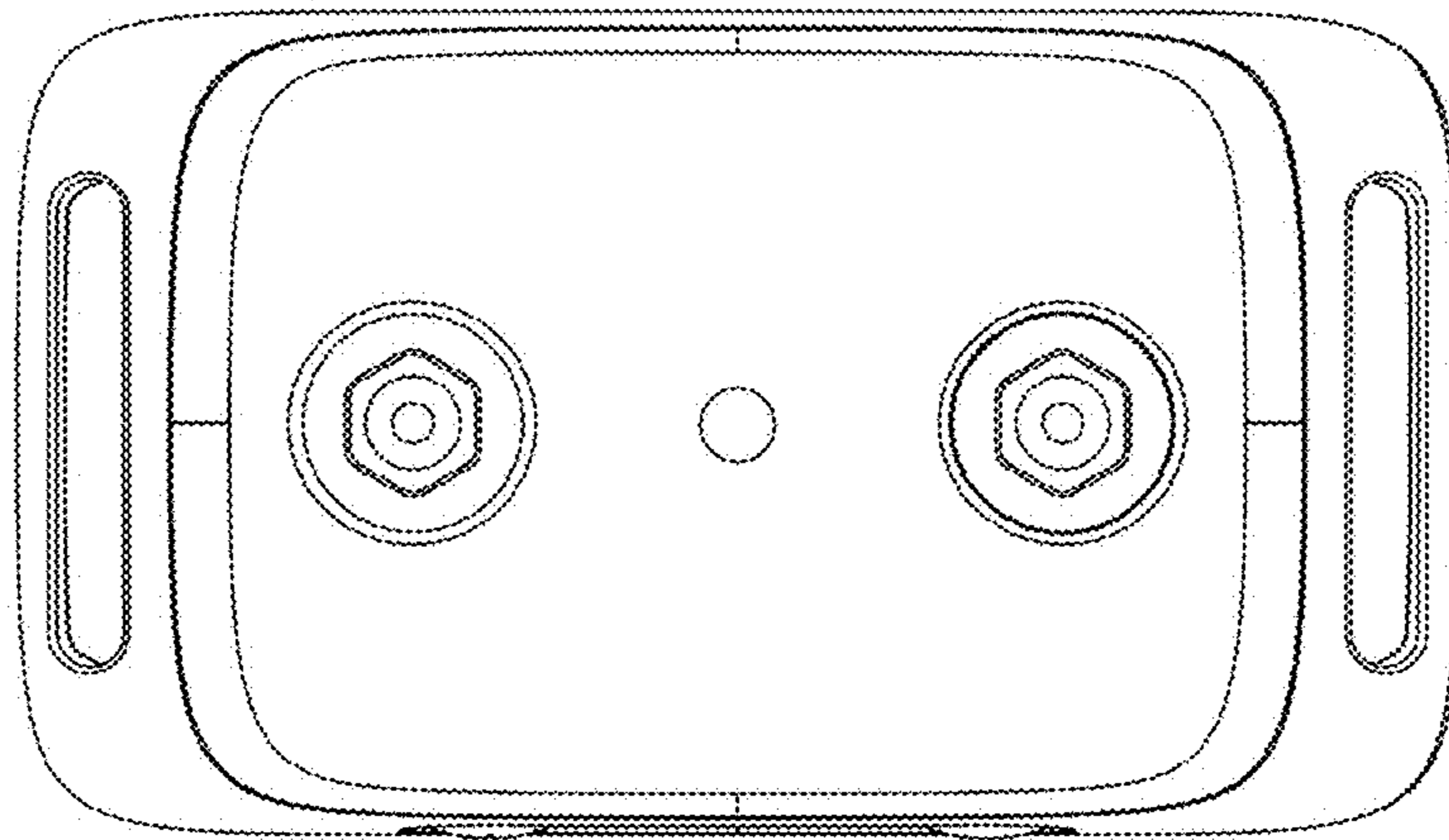


FIG. 5

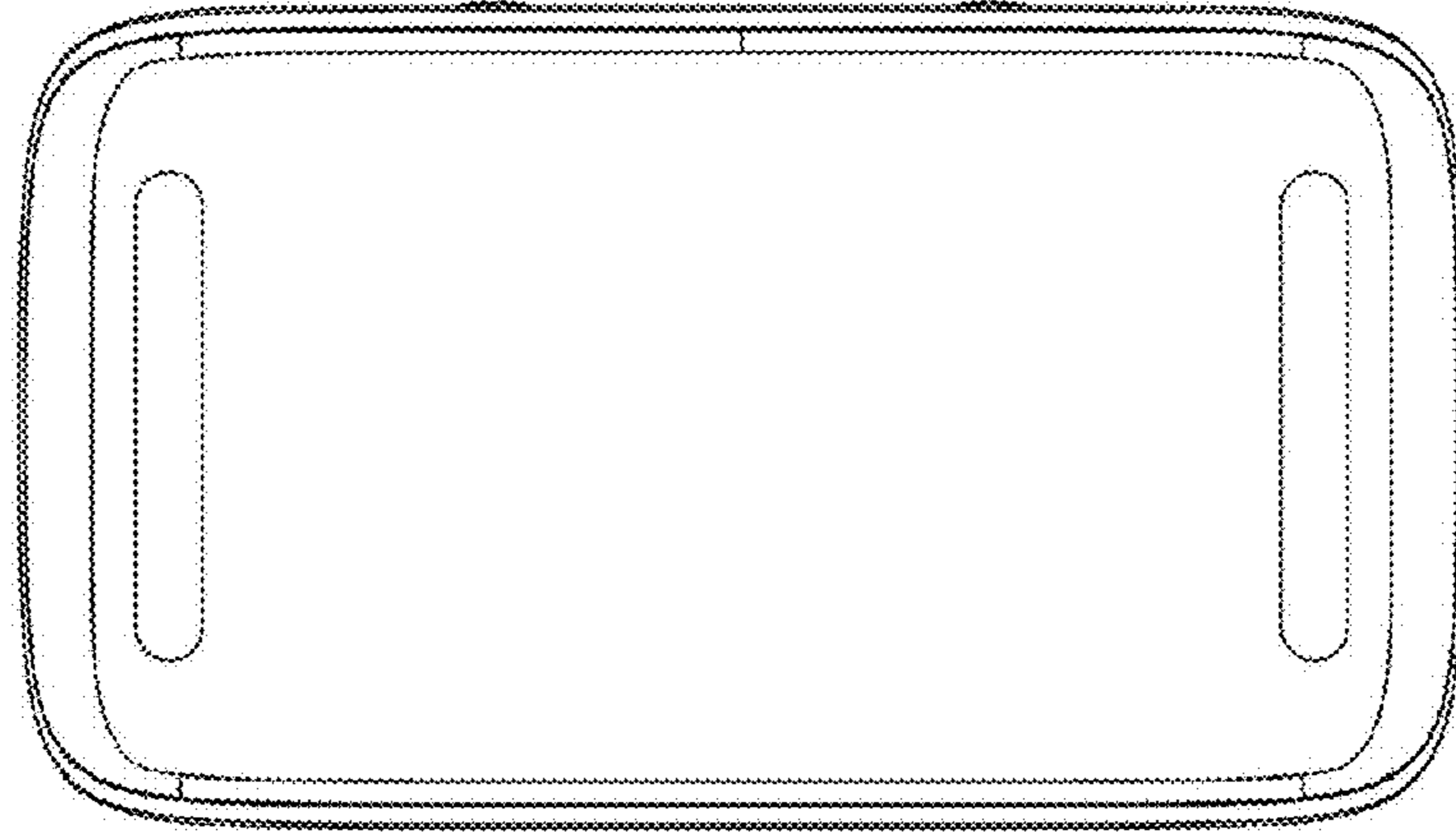


FIG. 6

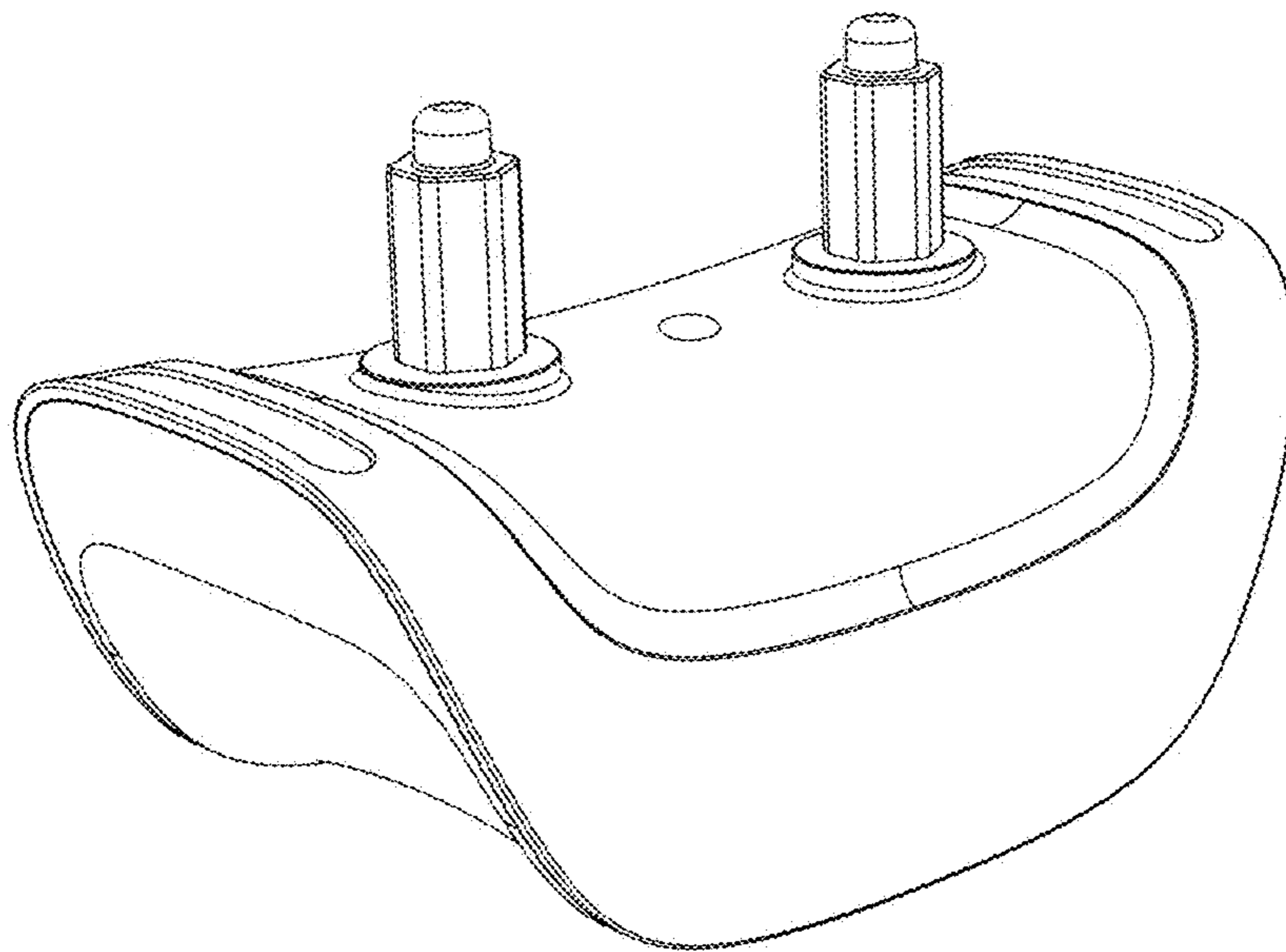


FIG. 7

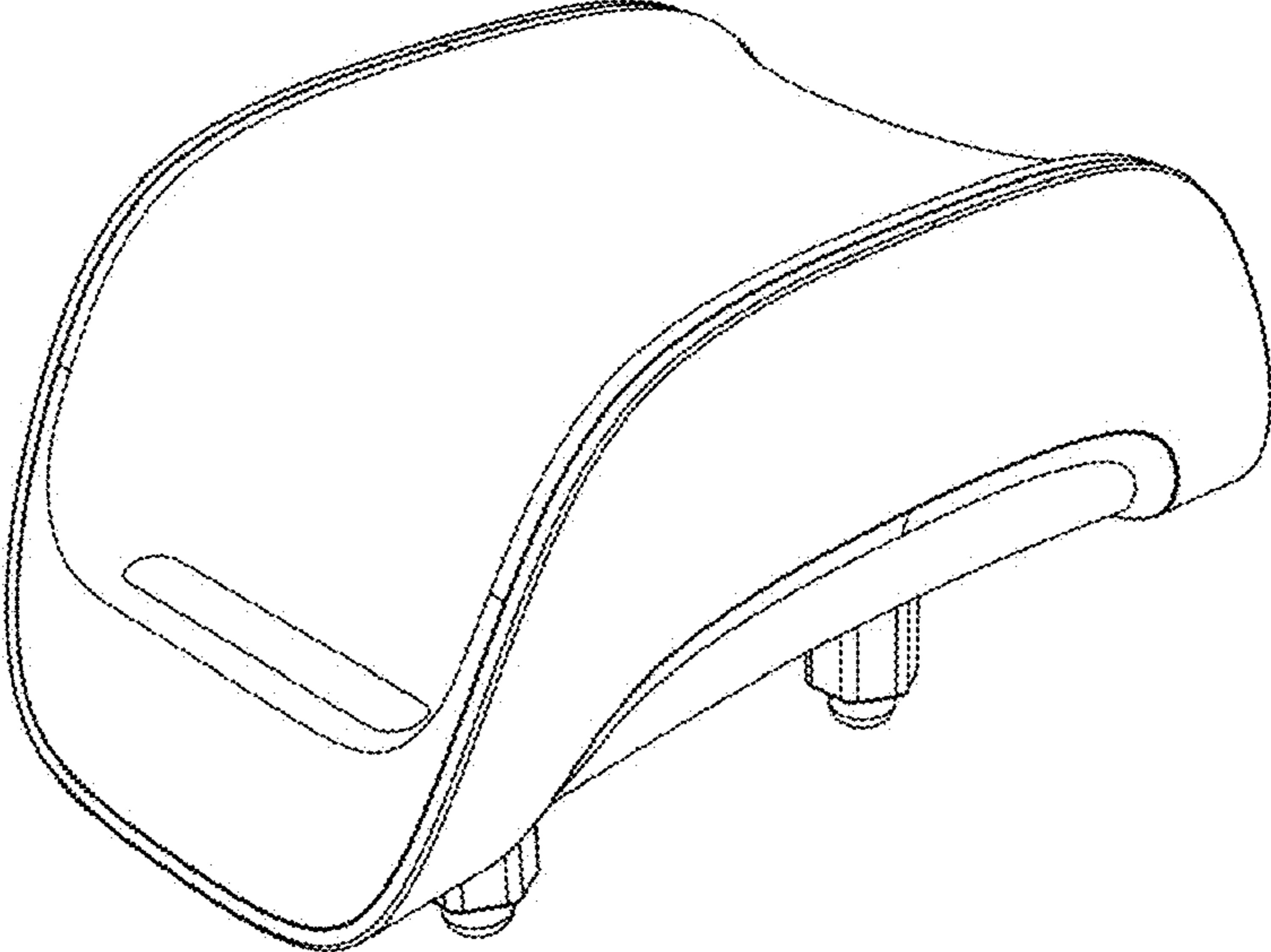


FIG. 8

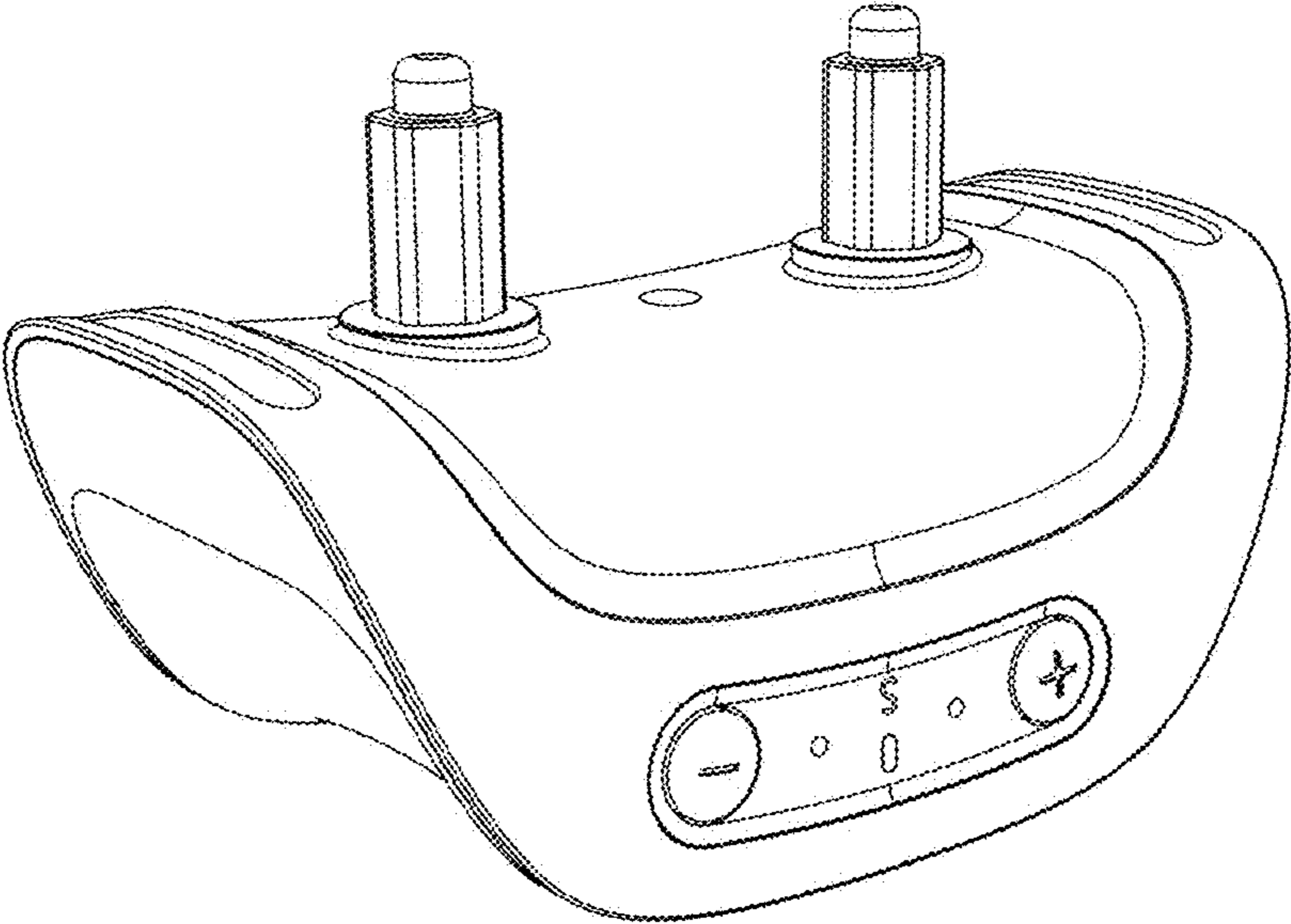


FIG. 9