



US00D834768S

(12) **United States Design Patent** (10) **Patent No.:** **US D834,768 S**
Sarver (45) **Date of Patent:** **** Nov. 27, 2018**

- (54) **PET BALANCE BEAM**
- (71) Applicant: **Eco Sports Group, Inc.**, Indianapolis, IN (US)
- (72) Inventor: **John T. Sarver**, Indianapolis, IN (US)
- (73) Assignee: **Eco Sports Group, Inc.**, Indianapolis, IN (US)
- (**) Term: **15 Years**
- (21) Appl. No.: **29/584,174**
- (22) Filed: **Nov. 11, 2016**
- (51) **LOC (11) Cl.** **30-03**
- (52) **U.S. Cl.**
USPC **D30/160**
- (58) **Field of Classification Search**
USPC D30/102, 121, 118, 119, 120, 124, 158, D30/160, 161, 133; D21/398, 662, 678, D21/681, 682, 713, 811-815, 817-819, D21/826; D6/349, 358, 377, 381; D25/32, 34, 66, 126; D34/7; 119/58, 60, 119/469, 473, 474, 482, 486, 706; 482/34, 40
CPC A63B 1/00; A63B 4/00; A63B 5/00; A01K 15/027; A47C 1/14
See application file for complete search history.

- (56) **References Cited**
U.S. PATENT DOCUMENTS
4,105,201 A * 8/1978 L'Ecuyer A63B 4/00 482/34
4,539,977 A * 9/1985 Schneider, Sr. A47C 16/02 297/423.41
D284,428 S * 7/1986 Raftery D6/349
5,158,512 A * 10/1992 Irwin A63B 23/0458 482/142
D363,747 S * 10/1995 Gvoich D21/671
D369,842 S * 5/1996 Gvoich D21/671

- D382,125 S * 8/1997 Chuang D6/349
 - D449,662 S * 10/2001 Monter Villar D21/671
 - D460,507 S * 7/2002 Stewart D21/688
 - 7,568,998 B2 * 8/2009 Gallus A63B 4/00 482/23
 - 7,780,575 B1 * 8/2010 Goodwin, III A63B 1/00 482/34
 - D648,446 S * 11/2011 Ernst D25/126
 - D656,246 S * 3/2012 Hanlon D25/126
- (Continued)

OTHER PUBLICATIONS

Dog on It Parks, Dog Leg Walk, <http://www.dog-on-it-parks.com/dog-leg-walk.html> (last visited Mar. 28, 2017).
(Continued)

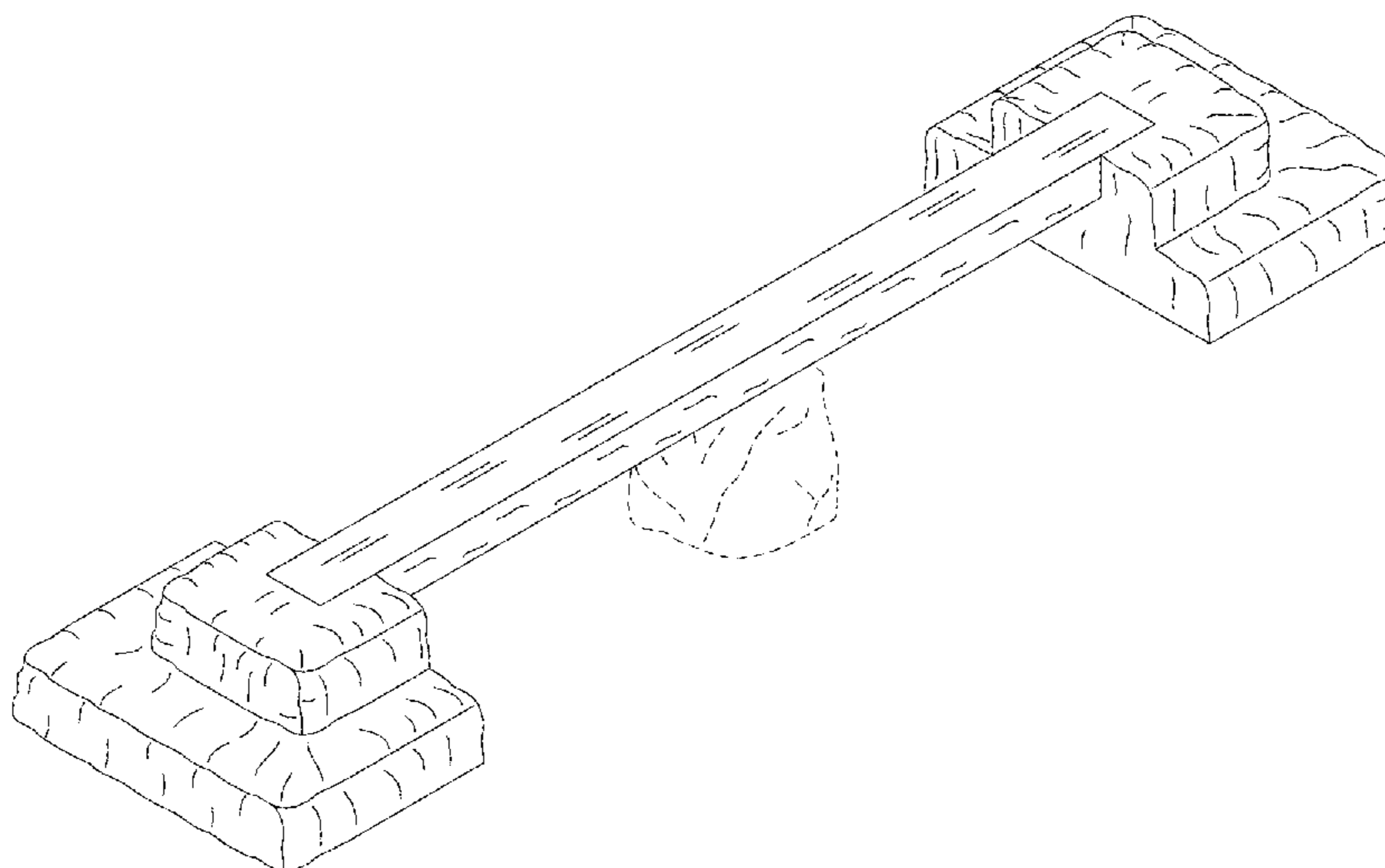
Primary Examiner — Barbara Fox
Assistant Examiner — Mehri F Bajoul
(74) *Attorney, Agent, or Firm* — Thomas | Horstemeyer, LLP

(57) **CLAIM**
The ornamental design for a pet balance beam, as shown and described.

DESCRIPTION

FIG. 1 is a perspective view of a pet balance beam showing the new design;
FIG. 2 is another perspective view thereof, showing the side opposite that of FIG. 1;
FIG. 3 is a left side view thereof;
FIG. 4 is a right side view thereof;
FIG. 5 is a front view thereof;
FIG. 6 is a rear view thereof;
FIG. 7 is a top view thereof; and,
FIG. 8 is a bottom view thereof.
The broken lines shown in the drawings depict portions of the pet balance beam that form no part of the claimed design.

1 Claim, 6 Drawing Sheets



(56)

References Cited

U.S. PATENT DOCUMENTS

D724,797 S *	3/2015	Paculdo	D30/160
D725,925 S *	4/2015	Kaye	D6/349
D808,671 S *	1/2018	Degara	D6/349
2004/0031230 A1 *	2/2004	Pabedinskas	E04C 3/28 52/839

OTHER PUBLICATIONS

Dog on It Parks, Small & Large Boulders, <http://www.dog-on-it-parks.com/small-boulder.html>; <http://www.dog-on-it-parks.com/large-boulder.html> (last visited Mar. 28, 2017).
 Dog on It Parks, Scottie Seesaw, <http://www.dog-on-it-parks.com/scottie-seesaw.html> (last visited Mar. 28, 2017).
 Barkpark, Teeter Totter, http://www.dogparkproduct.com/activities/teeter_totter.html (last visited Mar. 28, 2017).
 Barkpark, Log Bench, http://www.dogparkproduct.com/activities/log_bench.html (last visited Mar. 28, 2017).

Barkpark, Stepping Stones, http://www.dogparkproduct.com/activities/stepping_stones.html (last visited Mar. 28, 2017).
 Cre8play, Fallen Tree Balance Beam, <http://www.cre8play.com/products/fallen-tree-balance-beam/> (last visited Mar. 28, 2017).
 Ultraplay, 4' Half Log Balance Beam, http://www.ultraplay.com/categories/freestanding_equipment.aspx (last visited Mar. 28, 2017).
 Ultraplay, 6' Half Log Balance Beam, http://www.ultraplay.com/categories/freestanding_equipment.aspx (last visited Mar. 28, 2017).
 Ultraplay, Freestanding Balance Beam, http://www.ultraplay.com/categories/freestanding_equipment.aspx (last visited Mar. 28, 2017).
 Landscape Structures, Log Bench, <https://www.playlsi.com/en/commercial-playground-equipment/playground-components/log-bench> (last visited Apr. 3, 2017).
 Landscape Structures, Log Balance Beam, <https://www.playlsi.com/en/commercial-playground-equipment/playground-components/log-balance-beam> (last visited Apr. 3, 2017).
 Landscape Structures, Rock Climbers, <https://www.playlsi.com/en/commercial-playground-equipment/freestanding-playground-equipment/climbers/nature-inspired> (last visited Apr. 3, 2017).
 Playworld, Motion Play, Sidewalk, <https://playworld.com/products/sidewalk> (last visited Mar. 28, 2017).

* cited by examiner

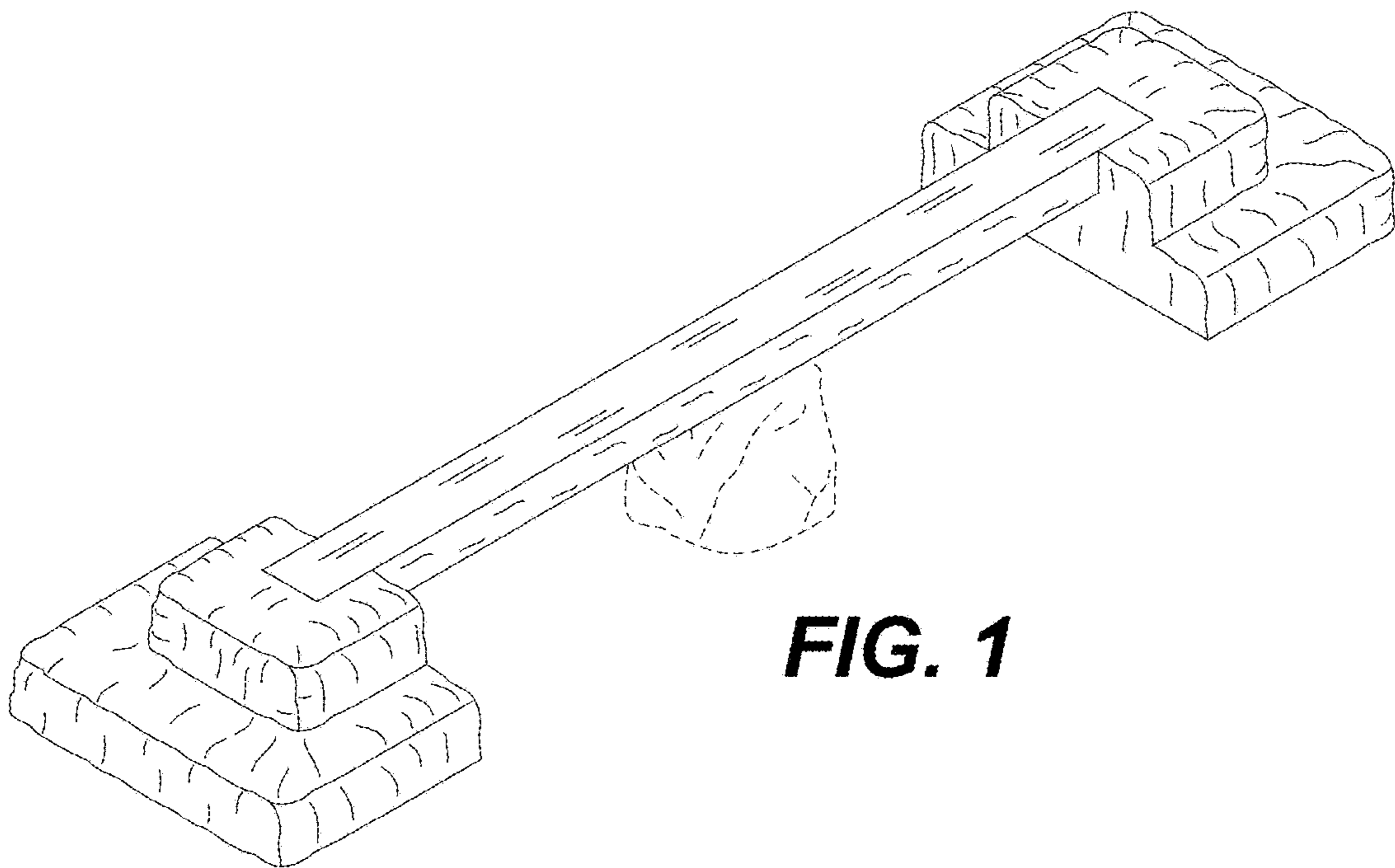


FIG. 1

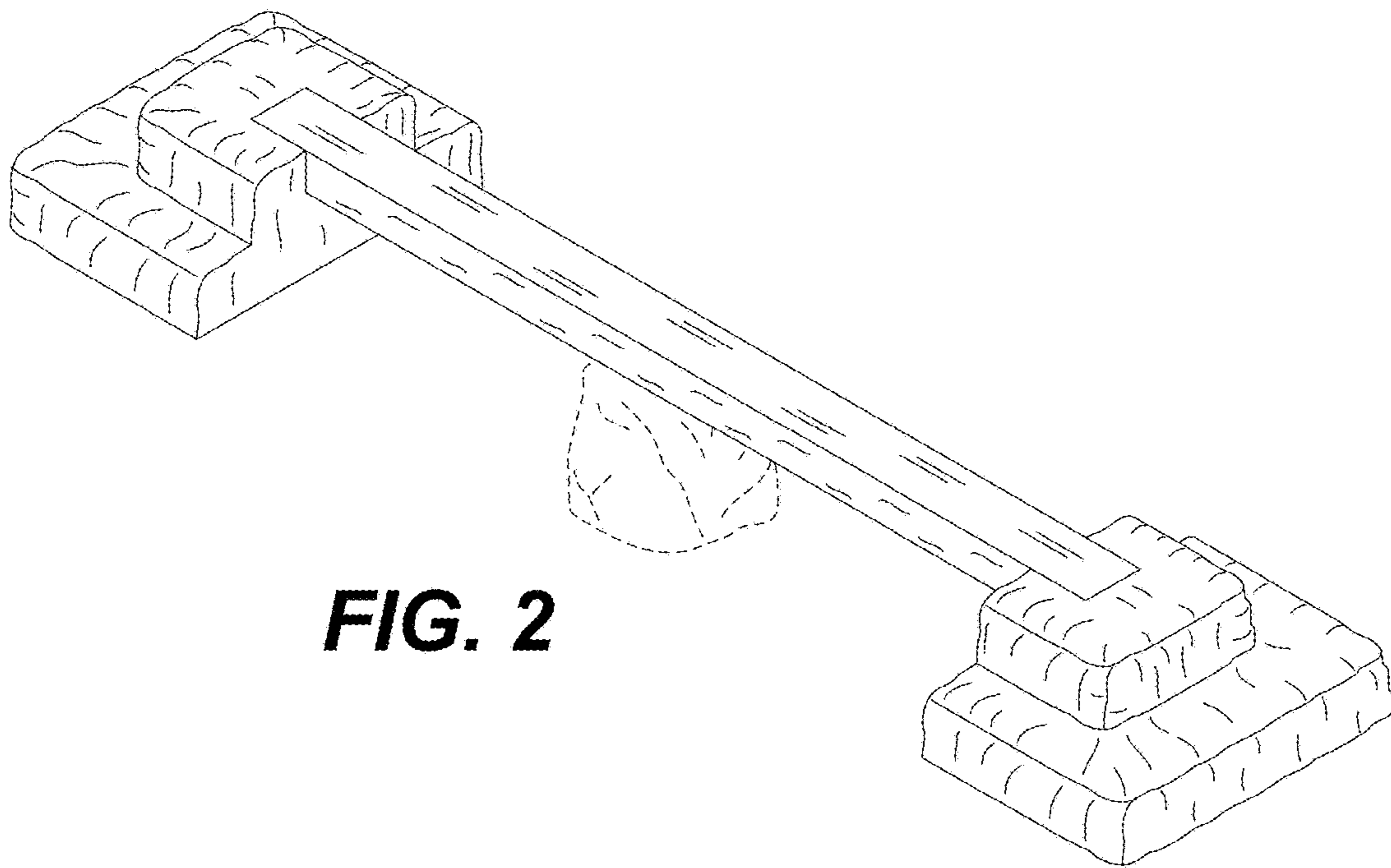


FIG. 2

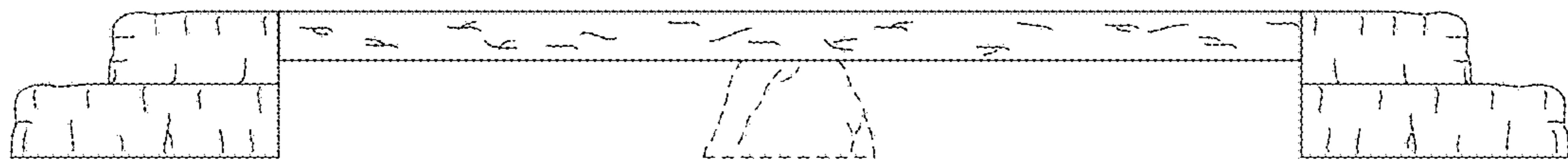


FIG. 3

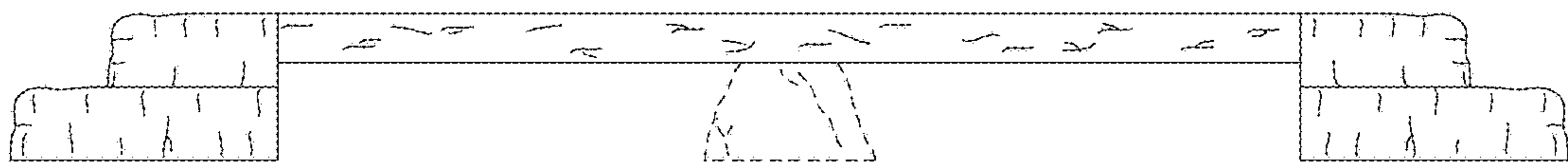


FIG. 4

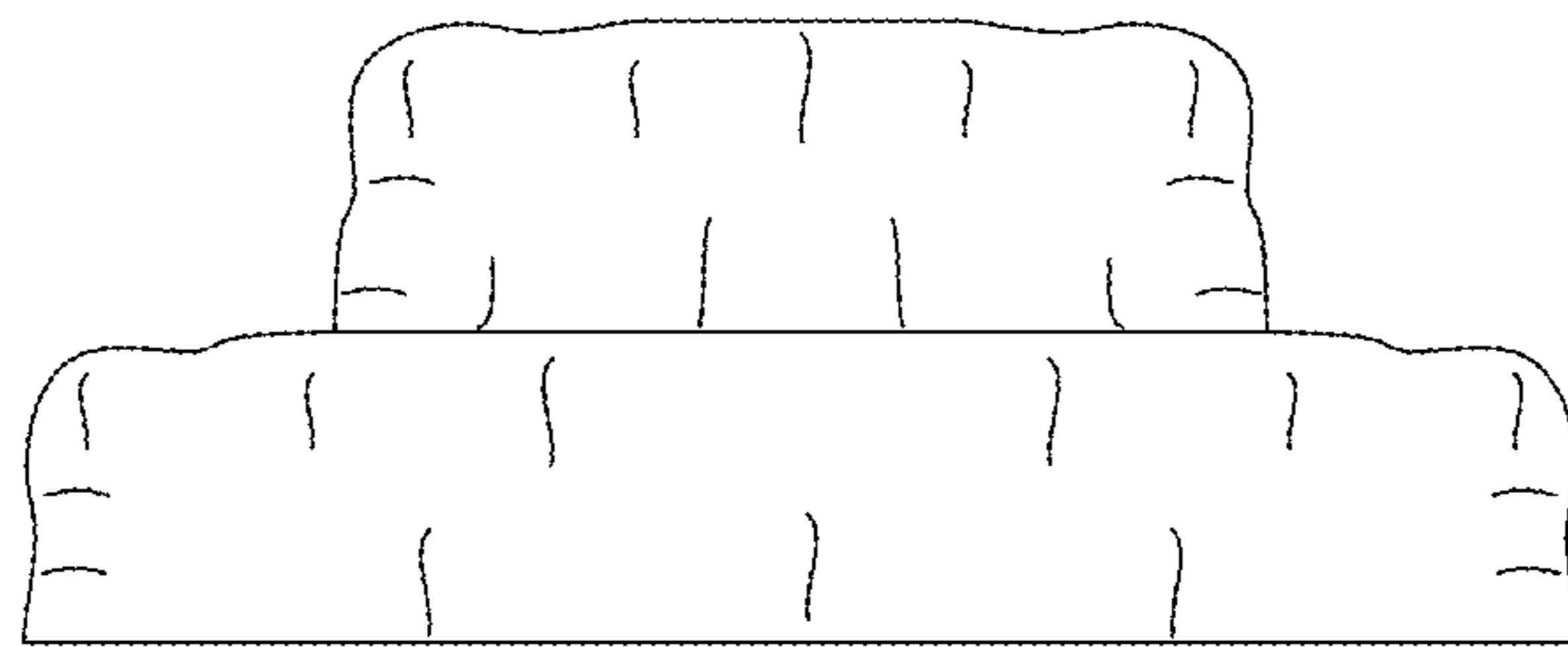


FIG. 5

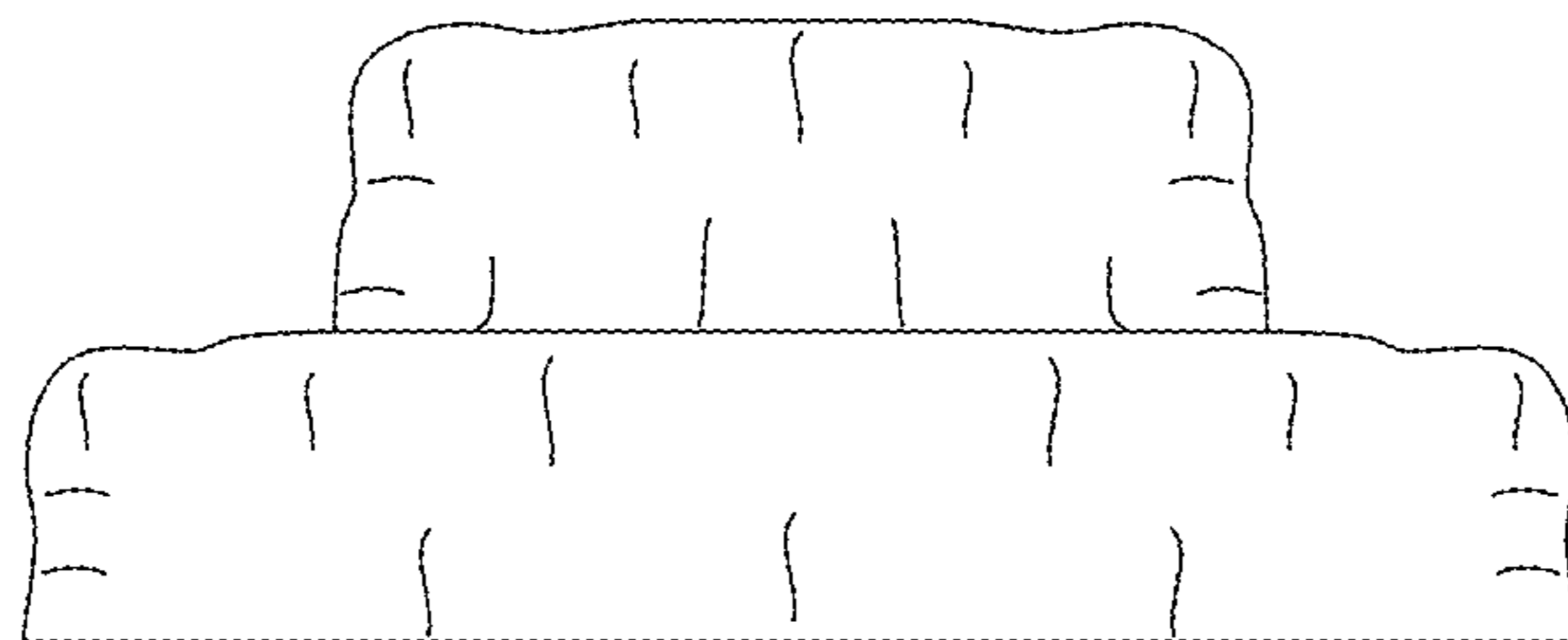


FIG. 6

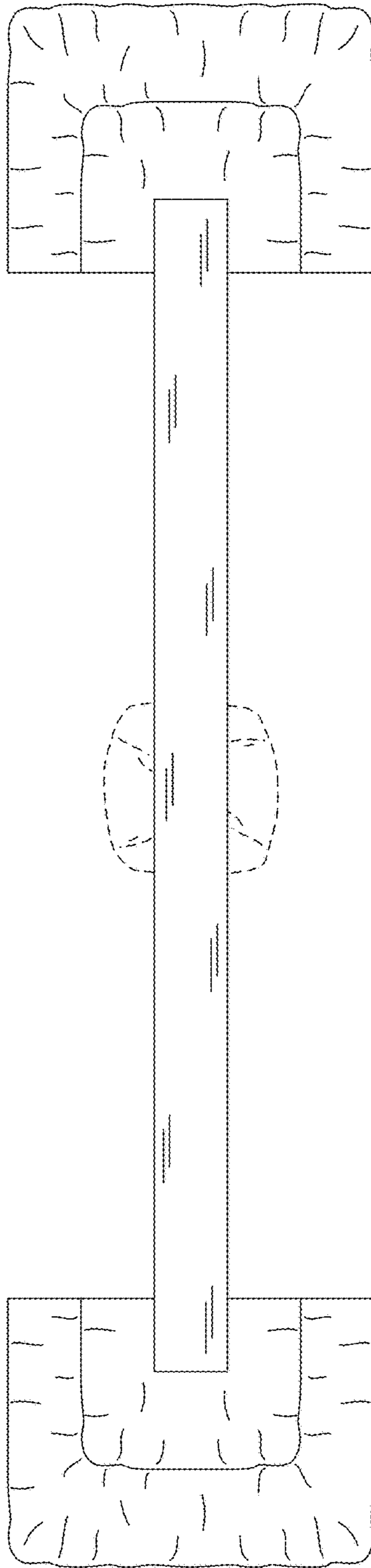


FIG. 7

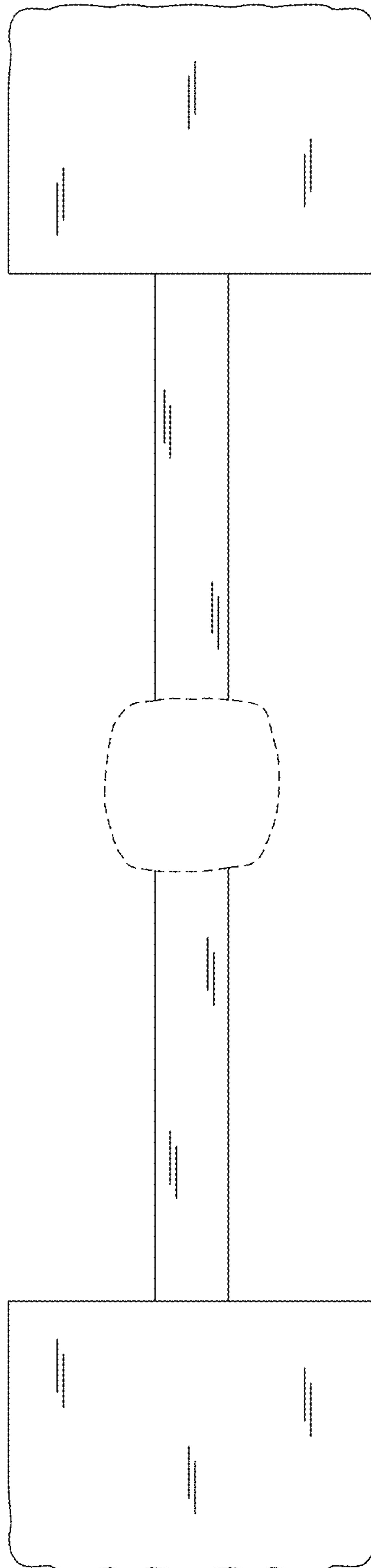


FIG. 8