



US00D834766S

(12) **United States Design Patent** (10) **Patent No.:** **US D834,766 S**
Veness (45) **Date of Patent:** **** Nov. 27, 2018**

(54) **FEEDER ACCESSORY**

(71) Applicant: **Doskocil Manufacturing Company, Inc.**, Arlington, TX (US)

(72) Inventor: **David Veness**, Fort Worth, TX (US)

(73) Assignee: **DOSKOCIL MANUFACTURING COMPANY, INC.**, Arlington, TX (US)

(**) Term: **15 Years**

(21) Appl. No.: **29/617,686**

(22) Filed: **Sep. 15, 2017**

(51) **LOC (11) Cl.** **30-03**

(52) **U.S. Cl.**
USPC **D30/133; D30/121; D30/199**

(58) **Field of Classification Search**
USPC **D30/121, 129-133, 199, 104-107; 119/51.01, 61, 51.04, 53, 57.91, 54, 53.5, 119/52.4, 51.11, 63, 61.2, 52.1, 57.5, 119/57.6, 51.13, 62, 75, 500, 501, 521, 119/57.92, 59, 51.12, 57.1, 56.1, 57; D9/436, 444, 447, 435, 452, 445, 454, D9/434, 453, 448, 438, 423-430, D9/414-418, 500-505, 516-521, 549, D9/558, 530, 715, 716, 724, 529, 538, D9/443, 446, 455, 499, 752, 753; D7/400, 507-511, 523, 601-608, 612, D7/615, 629, 630, 538-542, 622, 387, D7/393, 394, 396.2, 900, 543, 546, 547, D7/549, 318, 322, 590, 600, 600.1, 705, D7/708.1; 4/585; D23/261, 260, 304, D23/308; D32/53, 53.1, 54; 222/520, 222/521, 212; 206/541, 216, 518, 557, 206/139, 144, 146, 192, 205, 217, 223, 206/542, 543, 544, 545, 547, 242, 1.7, 206/427, 446, 493, 499, 501, 503-508, 206/514, 515, 519, 520, 558, 560, 563, 206/564, 567, 524.1, 524.3, 524.4, 524.6, 206/524.8, 525, 527, 804, 813, 820, 821,**

206/822, 823, 136, 162, 163, 169, 206/477-479; 229/406, 407, 902-904, 229/938, 87.08; D11/152; 426/106; 15/260-264; 215/200, 260, 261; 220/674, 675, 556, 699, 4.23, 755, 760, 220/764, 780-806, 200, 716, 258.2, 220/257.1, 574-575, 578-580, 495.01, 220/485.02, 23.83, 23.86, 23.87, 23.88, 220/23.89, 500-507, 528, 526, 212, 220/212.5, 216, 254.1, 255, 287, 309.1, 220/360, 376-380, 62.11-62.15, 639, (Continued)

(56) **References Cited**

U.S. PATENT DOCUMENTS

1,484,062 A * 2/1924 Conner B65D 55/10
220/318
1,718,703 A * 6/1929 Pico B67B 7/28
220/278

(Continued)

Primary Examiner — Susan Moon Lee

(74) *Attorney, Agent, or Firm* — Global IP Counselors, LLP

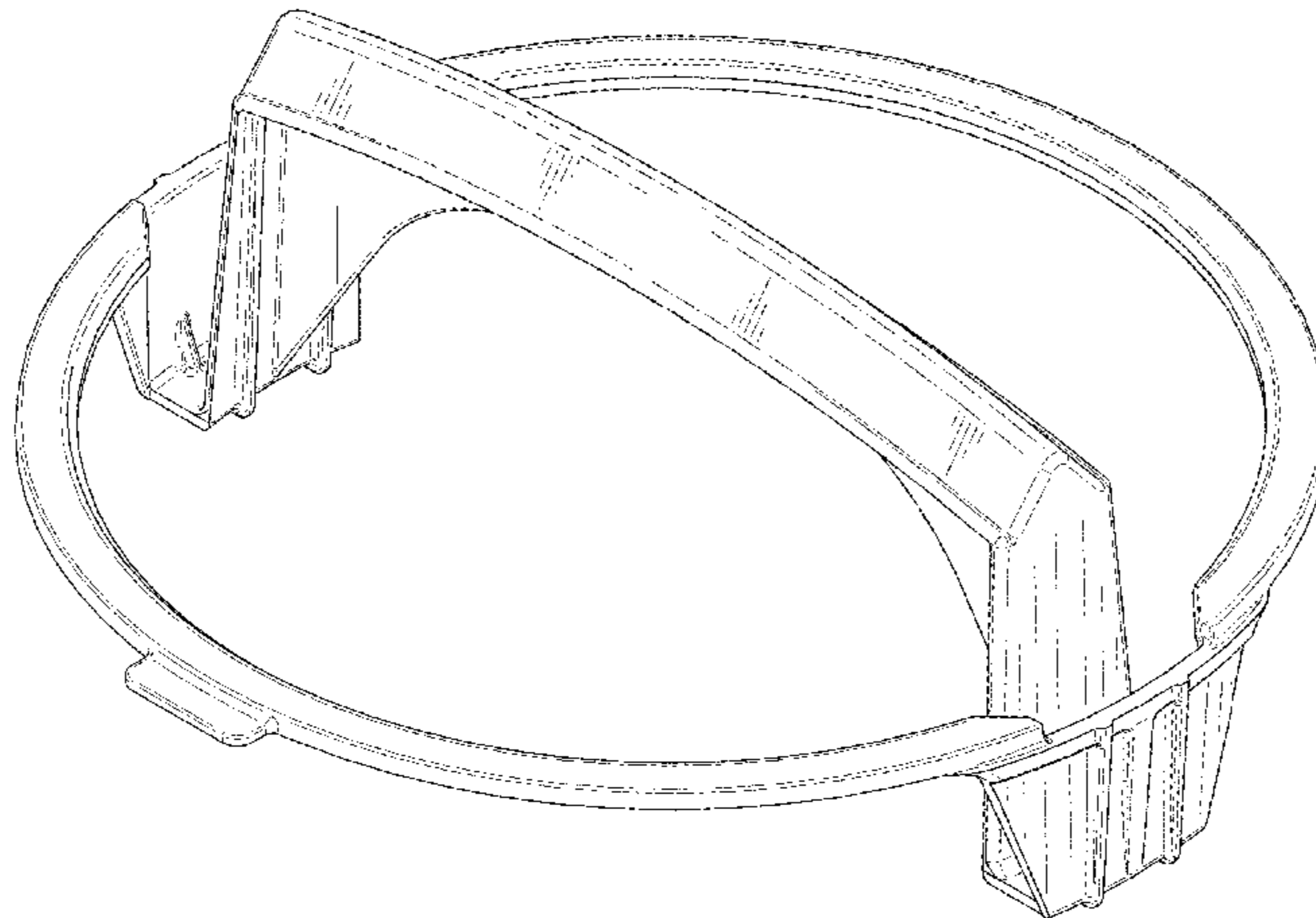
(57) **CLAIM**

The ornamental design for a feeder accessory, as shown and described.

DESCRIPTION

FIG. 1 is a front perspective view of a feeder accessory in accordance with my new design;
FIG. 2 is a front view thereof;
FIG. 3 is a back view thereof;
FIG. 4 is a top view thereof;
FIG. 5 is a bottom view thereof;
FIG. 6 is a right side view thereof; and,
FIG. 7 is a left side view thereof.

1 Claim, 5 Drawing Sheets



(58) **Field of Classification Search**

USPC 220/694, 696, 700–703, 711, 719, 730,
 220/731, 737–742, 744, 890, 915.1,
 220/915.2, 916; D8/373, 382, 396, 394;
 248/682, 693, 560, 99, 104, 126, 160,
 248/407, 409, 410, 176.1, 317, 318, 342,
 248/694; D34/1, 11, 28, 35, 39; D3/201,
 D3/202, 291, 293, 307, 308, 315, 316,
 D3/318, 319, 323, 327, 328; 224/101,
 224/148.1, 148.3, 148.4, 148.6, 148.7,
 224/578, 163, 254, 255; 294/27.1, 31.2,
 294/33
 CPC A01K 5/0225; A01K 5/00; A01K 5/02;
 A01K 5/01; A01K 5/0291; A01K 5/0266;
 A01K 5/0275; A01K 5/0283; A01K
 39/00; A01K 39/01; A01K 39/0113;
 A01K 39/012; A01K 39/0125; A01K
 39/014; B65D 1/12–1/16; B65D 1/00;
 B65D 1/26; B65D 1/265; B65D 11/00;
 B65D 11/06; B65D 21/00; B65D 21/02;
 B65D 21/0209; B65D 21/0233; B65D
 21/022; B65D 21/0234; B65D 25/00;
 B65D 25/34; B65D 23/00; B65D 37/00;
 B65D 43/00; B65D 43/02; B65D 43/08;
 B65D 65/02; B65D 69/00; B65D
 81/3205; B65D 81/00; B65D 88/00;
 B65D 88/02; B65D 88/025; B65D
 88/126; B65D 90/00; B65D 90/004;
 B65D 90/0046; B65D 2251/00; B65D
 2501/24859; B65D 2501/00; B65D

2501/0009; B65D 2543/0009; B65D
 2543/00027; B65D 2543/00092; B65D
 2543/00342; B65D 2543/00444; B65D
 2543/00981; B65D 2590/0066; B65D
 85/804–85/8046

See application file for complete search history.

(56)

References Cited

U.S. PATENT DOCUMENTS

1,929,433 A * 10/1933 Kenny B65D 25/2867
 220/767
 2,165,544 A * 7/1939 Gordenier A24F 19/06
 131/242
 2,320,262 A * 5/1943 Campbell B44D 3/128
 220/696
 2,849,252 A * 8/1958 McLean B44D 3/14
 220/751
 3,481,506 A * 12/1969 Ihlenfeld A24F 19/08
 131/242
 D258,408 S * 3/1981 Berkan, Jr. D7/394
 4,676,392 A * 6/1987 Giggard B65D 25/2873
 220/284
 5,445,425 A * 8/1995 Lyver B44D 3/12
 220/760
 D475,826 S * 6/2003 Mowe D32/54
 D510,522 S * 10/2005 Laveault D9/434
 D530,052 S * 10/2006 Berti D32/53
 D643,171 S * 8/2011 Morad D34/1
 2015/0196153 A1 * 7/2015 Sykes A47J 36/20
 210/256

* cited by examiner

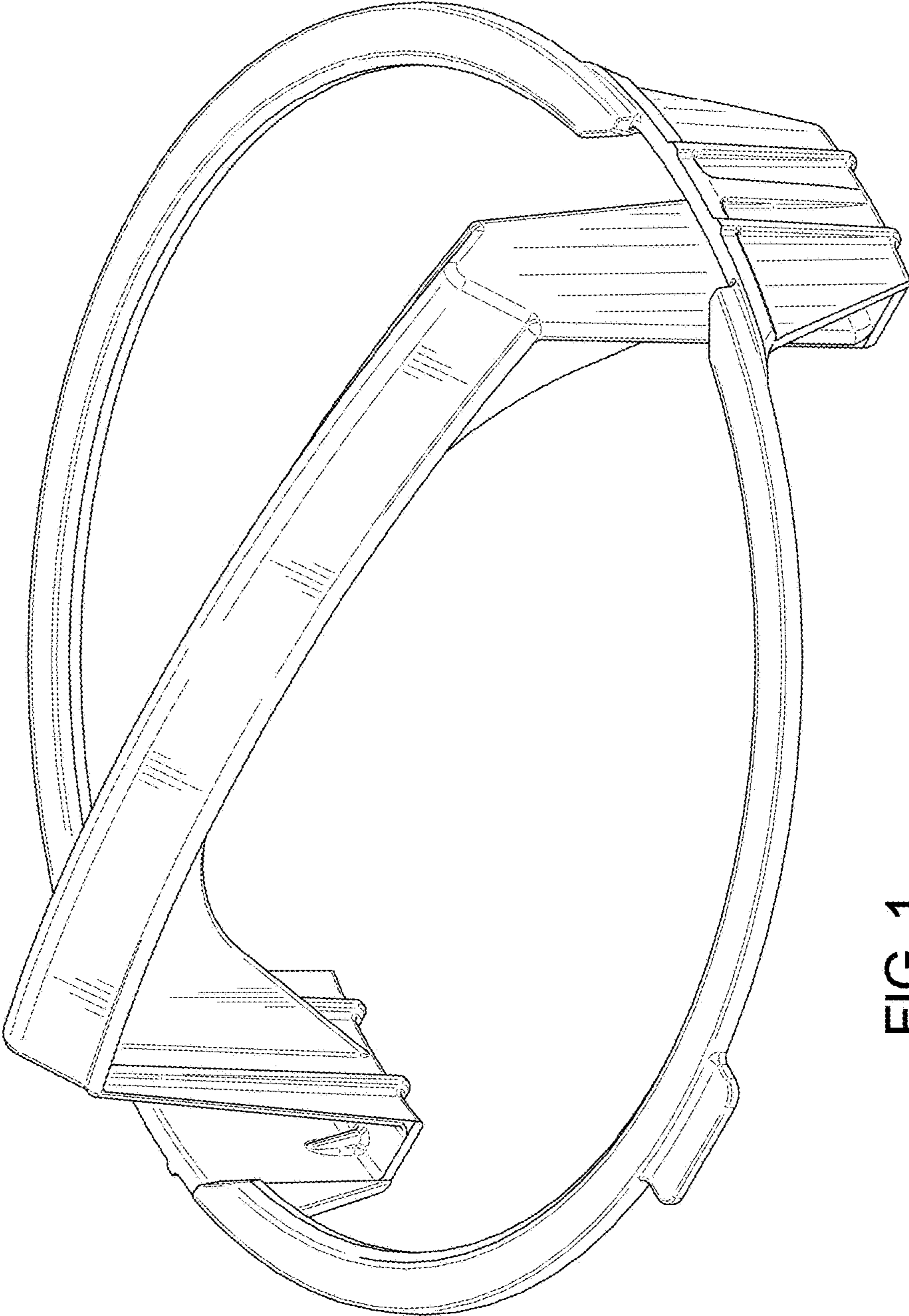


FIG. 1

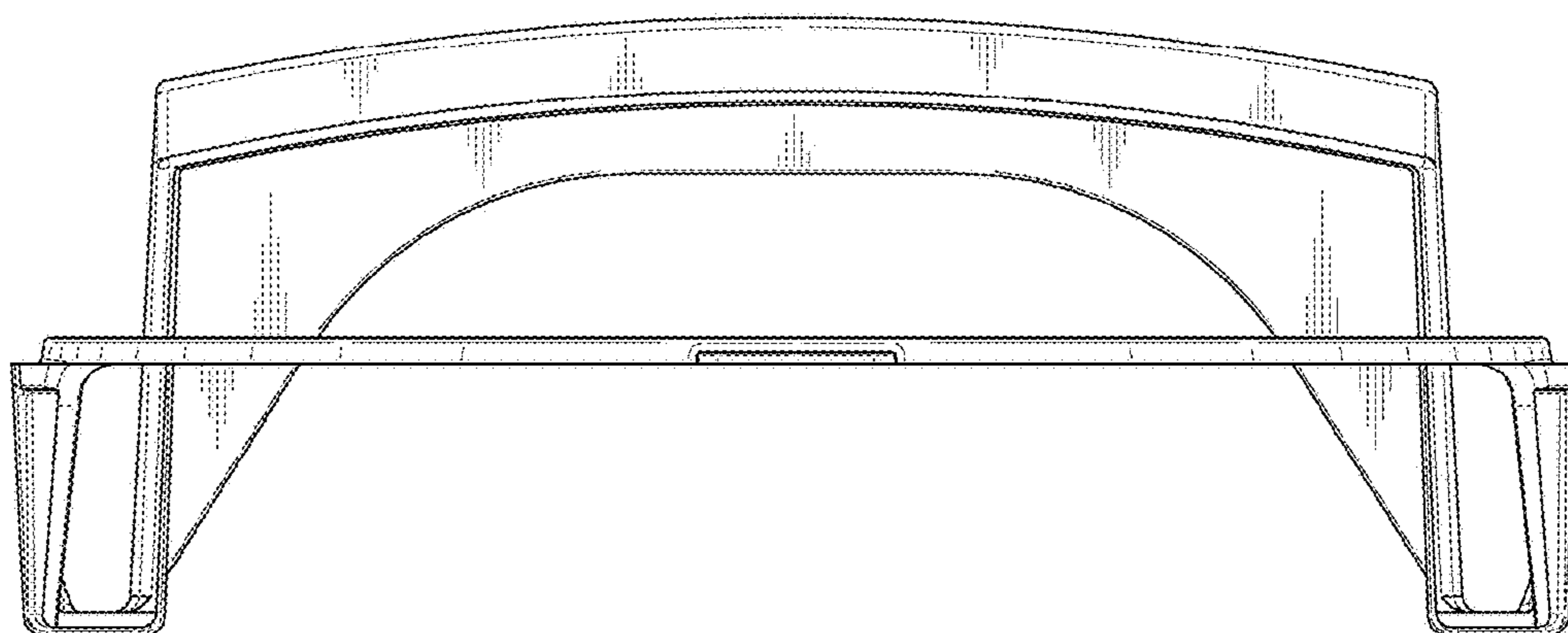


FIG. 2

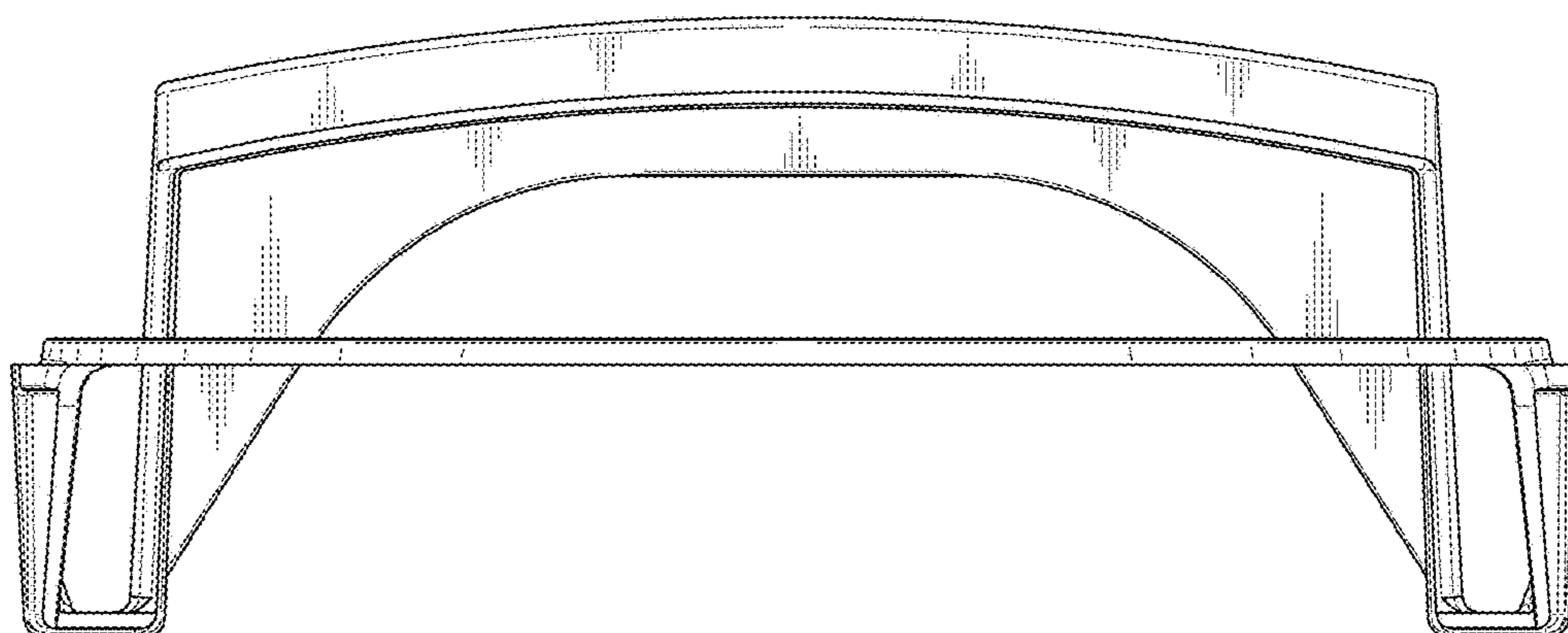


FIG. 3

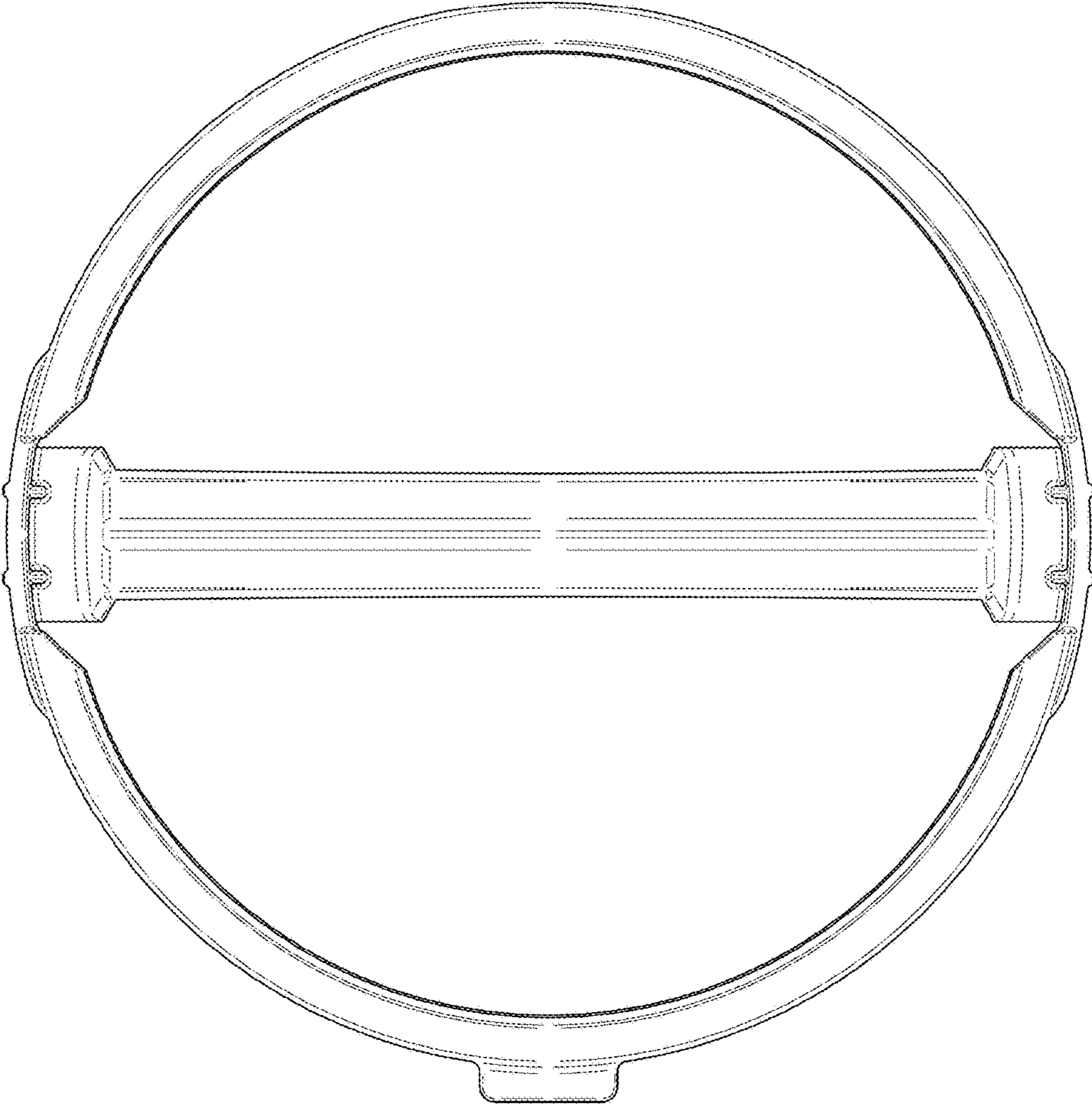


FIG. 4

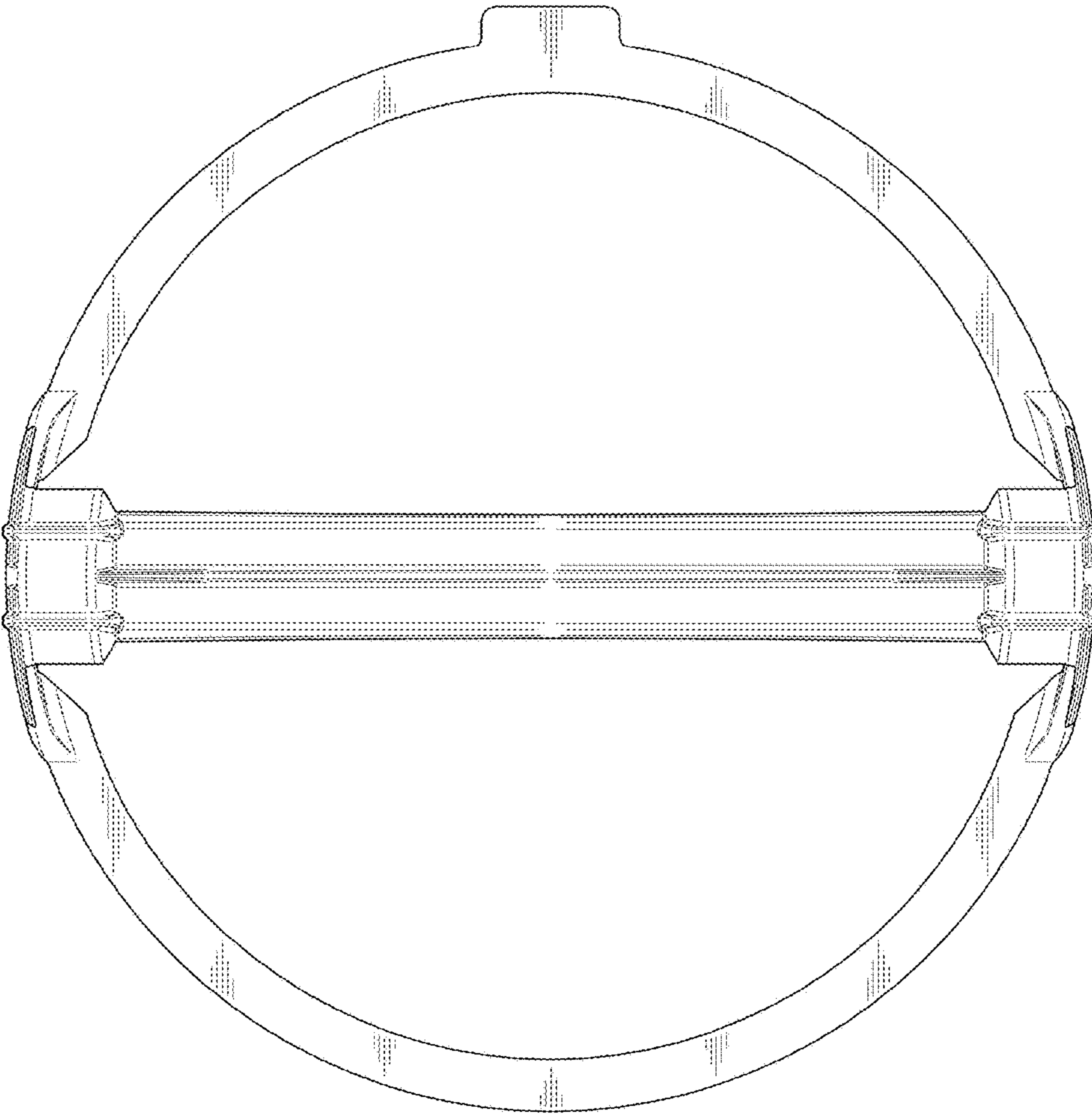


FIG. 5

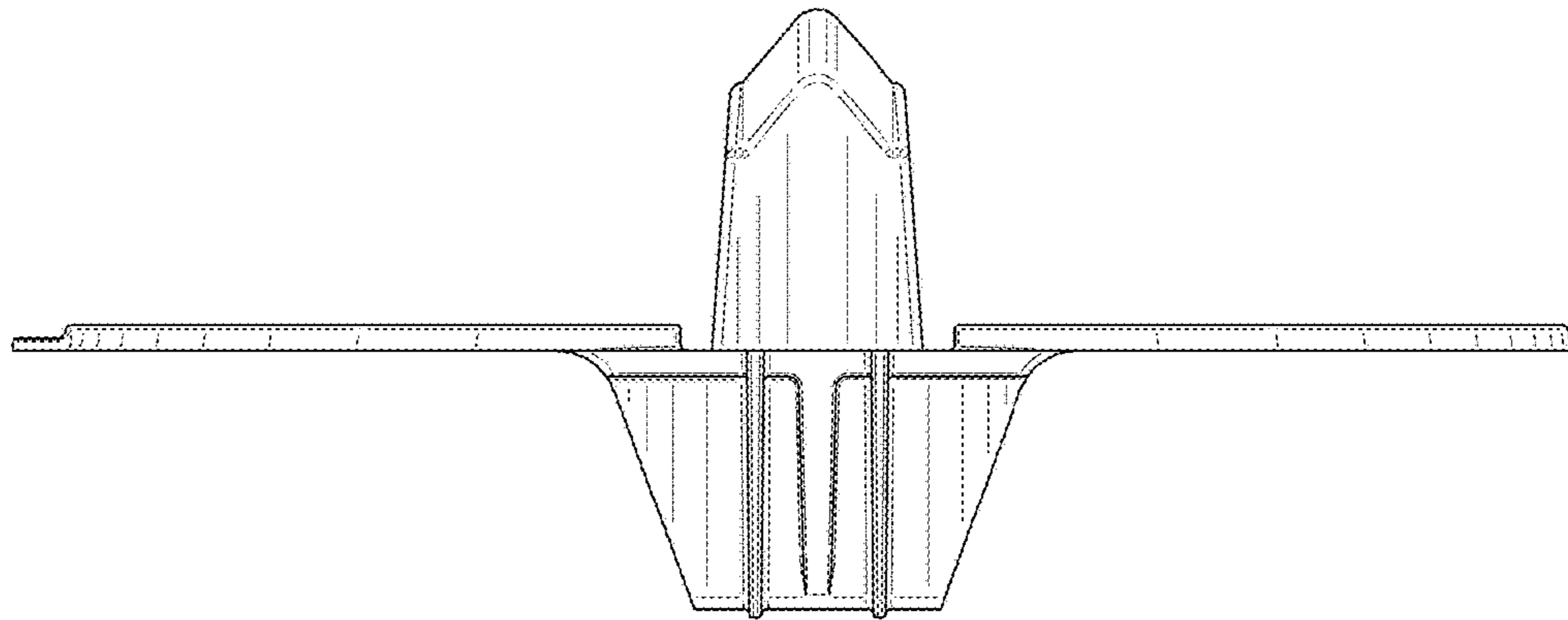


FIG. 6

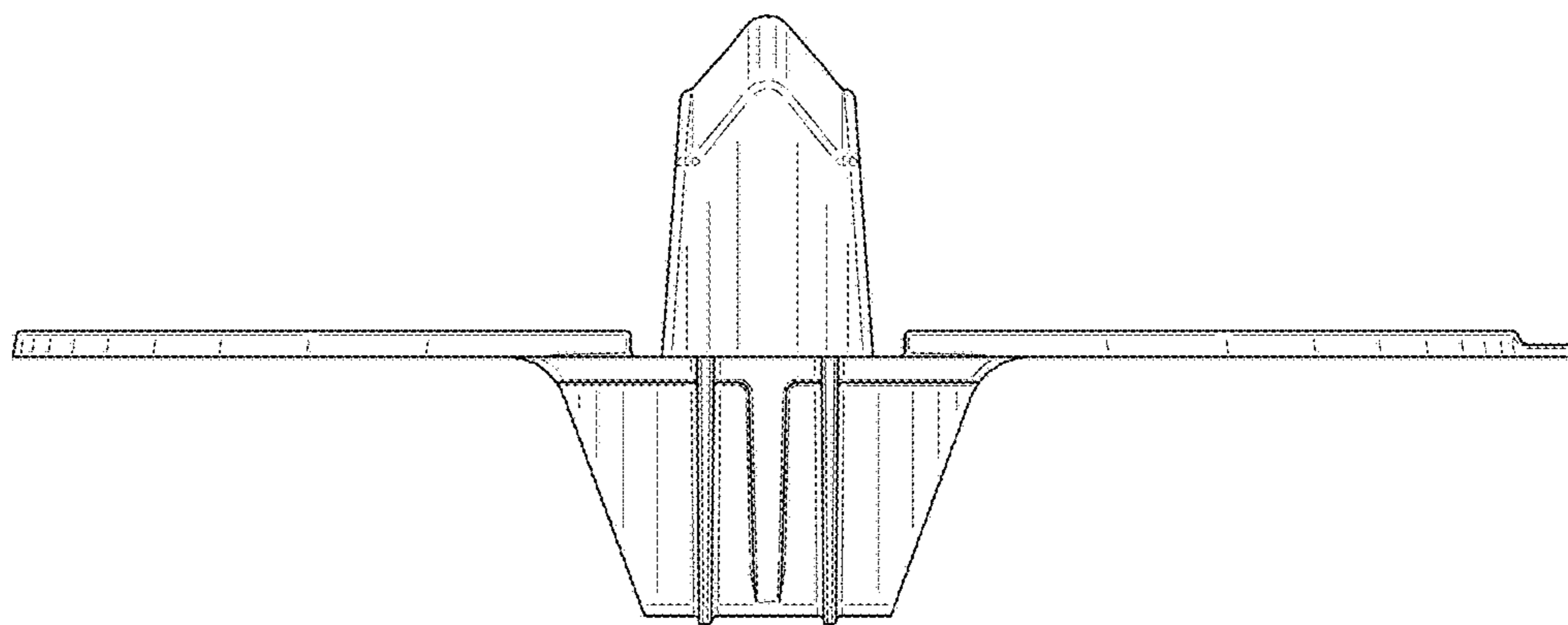


FIG. 7