



US00D834765S

(12) **United States Design Patent** (10) **Patent No.:** **US D834,765 S**  
**Reissig** (45) **Date of Patent:** **\*\* Nov. 27, 2018**

(54) **PET FOOD BOWL STAND**  
(71) Applicant: **VerDeTec GmbH**, Nürnberg (DE)  
(72) Inventor: **Thomas Reissig**, Feuchtwangen (DE)  
(73) Assignee: **VerDeTec GmbH**, Nürnberg (DE)  
(\*\*) Term: **15 Years**  
(21) Appl. No.: **29/578,740**  
(22) Filed: **Sep. 23, 2016**  
(51) **LOC (11) Cl.** ..... **30-03**  
(52) **U.S. Cl.**  
USPC ..... **D30/129; D30/133**  
(58) **Field of Classification Search**  
USPC ..... D30/133, 121, 128, 130, 132, 129, 131;  
119/52.1, 55, 61.5, 61.6, 61.57, 61.56;  
D6/480-485; 248/188; 312/204;  
108/153.1-157; 220/574, 574.1-574.3,  
220/575, 592.01, 592.17, 592.23, 660,  
220/661, 669, 675, 737, 739; 62/457.1,  
62/457.6; D7/619.1  
CPC ..... A01K 5/00; A01K 5/01; A01K 5/0107;  
A01K 5/0114; A01K 5/0121; A01K  
5/0128; A01K 5/0135; A01K 7/005;  
A47G 19/08  
See application file for complete search history.

(56) **References Cited**  
U.S. PATENT DOCUMENTS  
3,285,694 A \* 11/1966 Marchi ..... A01M 1/2066  
422/305  
D209,677 S \* 12/1967 Robert ..... D30/133  
D217,360 S \* 4/1970 Robert ..... D30/133  
D257,494 S \* 11/1980 Imhoff ..... D30/129  
D260,043 S \* 7/1981 Robinson ..... D30/129  
D330,816 S \* 11/1992 Phillips ..... D6/680  
D331,538 S \* 12/1992 Fabre ..... D9/455  
5,297,504 A \* 3/1994 Carrico ..... A01K 7/005  
119/61.54  
D383,225 S \* 9/1997 Wolfard ..... D26/23  
5,845,605 A \* 12/1998 Malamphy ..... A01K 45/002  
119/69.5

(Continued)

*Primary Examiner* — Susan Moon Lee  
(74) *Attorney, Agent, or Firm* — Panitch Schwarze  
Belisario & Nadel LLP

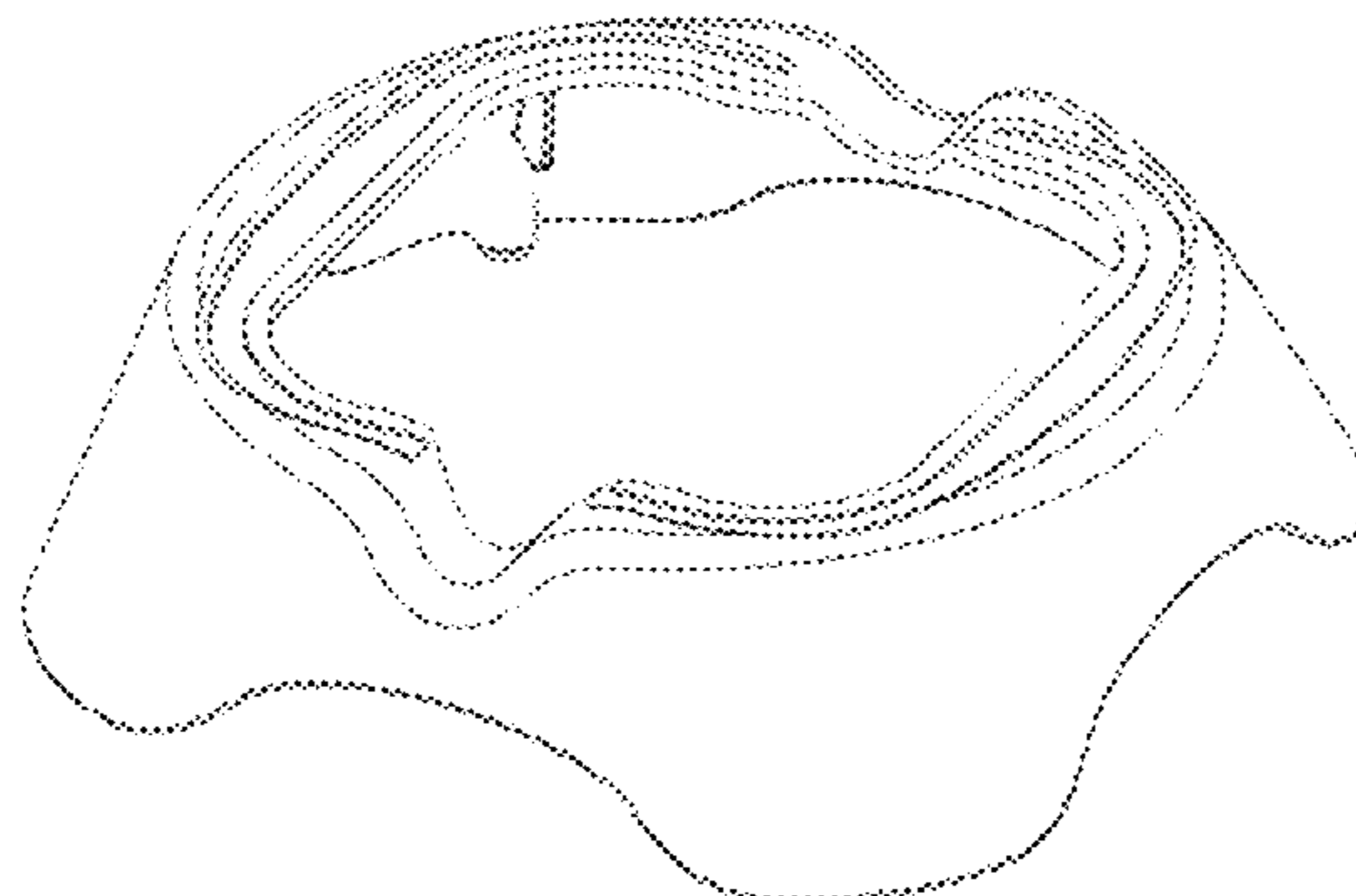
(57) **CLAIM**

The ornamental design for a pet food bowl stand, as shown and described.

**DESCRIPTION**

FIG. 1 is a front and top perspective view of a pet food bowl stand in accordance with a first embodiment of my new design;  
FIG. 2 is a top plan view thereof;  
FIG. 3 is a bottom plan view thereof;  
FIG. 4 is a left side elevational view thereof, a right side elevational view being identical;  
FIG. 5 is a front elevational view thereof, a rear elevational view being identical;  
FIG. 6 is a front and top perspective view of a pet food bowl stand in accordance with a second embodiment of my new design;  
FIG. 7 is a top plan view thereof;  
FIG. 8 is a bottom plan view thereof;  
FIG. 9 is a left side elevational view thereof, a right side elevational view being identical;  
FIG. 10 is a front elevational view thereof, a rear elevational view being identical;  
FIG. 11 is a front and top perspective view of a pet food bowl stand in accordance with a third embodiment of my new design;  
FIG. 12 is a top plan view thereof;  
FIG. 13 is a bottom plan view thereof;  
FIG. 14 is a left side elevational view thereof, a right side elevational view being identical; and,  
FIG. 15 is a front elevational view thereof, a rear elevational view being identical.

**1 Claim, 15 Drawing Sheets**



(56)

References Cited

U.S. PATENT DOCUMENTS

D406,925 S *	3/1999	Sharon	.....	D30/129	9,723,812 B2 *	8/2017	Jones	.....	A01K 5/0114
D412,605 S *	8/1999	Sharon	.....	D30/129	D797,521 S *	9/2017	Kellow, Jr.	.....	D7/619.1
D448,978 S *	10/2001	Isbell	.....	D7/619.1	9,750,358 B2 *	9/2017	Jagger	.....	A47G 19/10
6,390,323 B1 *	5/2002	Alticosalian	.....	A01K 5/0128	D817,110 S *	5/2018	Kellow, Jr.	.....	D7/619.1
				220/495.03	2002/0179796 A1 *	12/2002	Kaupp	.....	B60N 3/106
D465,884 S *	11/2002	Ross	.....	D30/129					248/311.2
D491,321 S *	6/2004	Wolf	.....	D30/129	2004/0011934 A1 *	1/2004	Czepowicz	.....	A47G 23/0241
D491,322 S *	6/2004	Wolf	.....	D30/129					248/311.2
D526,537 S *	8/2006	Rosenberg	.....	D7/619.1	2005/0039689 A1 *	2/2005	Mossmer	.....	A01K 5/0128
D590,109 S *	4/2009	Anderson	.....	D30/129					119/61.5
7,789,041 B1 *	9/2010	Taylor	.....	A01K 5/0114	2006/0005775 A1 *	1/2006	Ritchey	.....	A01K 5/0142
				119/51.01					119/61.5
D625,885 S *	10/2010	Bianchi	.....	D30/129	2006/0113200 A1 *	6/2006	Abkarian	.....	A47G 23/03
D635,635 S *	4/2011	Pryor	.....	D22/119					206/217
D653,914 S *	2/2012	Lutz	.....	D7/624.1	2009/0126641 A1 *	5/2009	Anderson	.....	A01K 5/0114
D679,552 S *	4/2013	Housley	.....	D7/619.1					119/61.5
D679,553 S *	4/2013	Williams	.....	D7/619.1	2010/0012042 A1 *	1/2010	Lee	.....	A01K 5/01
D687,938 S *	8/2013	Furner	.....	D23/366					119/61.5
D700,751 S *	3/2014	Gilkey	.....	D30/121	2010/0275852 A1 *	11/2010	Lipscomb	.....	A01K 5/0114
D701,005 S *	3/2014	Gilkey	.....	D30/121					119/61.5
D703,393 S *	4/2014	Henley	.....	D30/129	2014/0342034 A1 *	11/2014	Buschmann	.....	A01K 5/0114
D726,981 S *	4/2015	Yessin	.....	D32/25					426/2
D744,173 S *	11/2015	Jones	.....	D30/129	2015/0101543 A1 *	4/2015	Baxter	.....	A01K 5/0142
D744,174 S *	11/2015	Jones	.....	D30/121					119/498
D755,447 S *	5/2016	Andrews	.....	D30/129	2015/0230638 A1 *	8/2015	Jagger	.....	A47G 19/10
D758,674 S *	6/2016	Youn	.....	D30/129					220/574
					2018/0014505 A1 *	1/2018	MacNeil	.....	A01K 7/005

\* cited by examiner

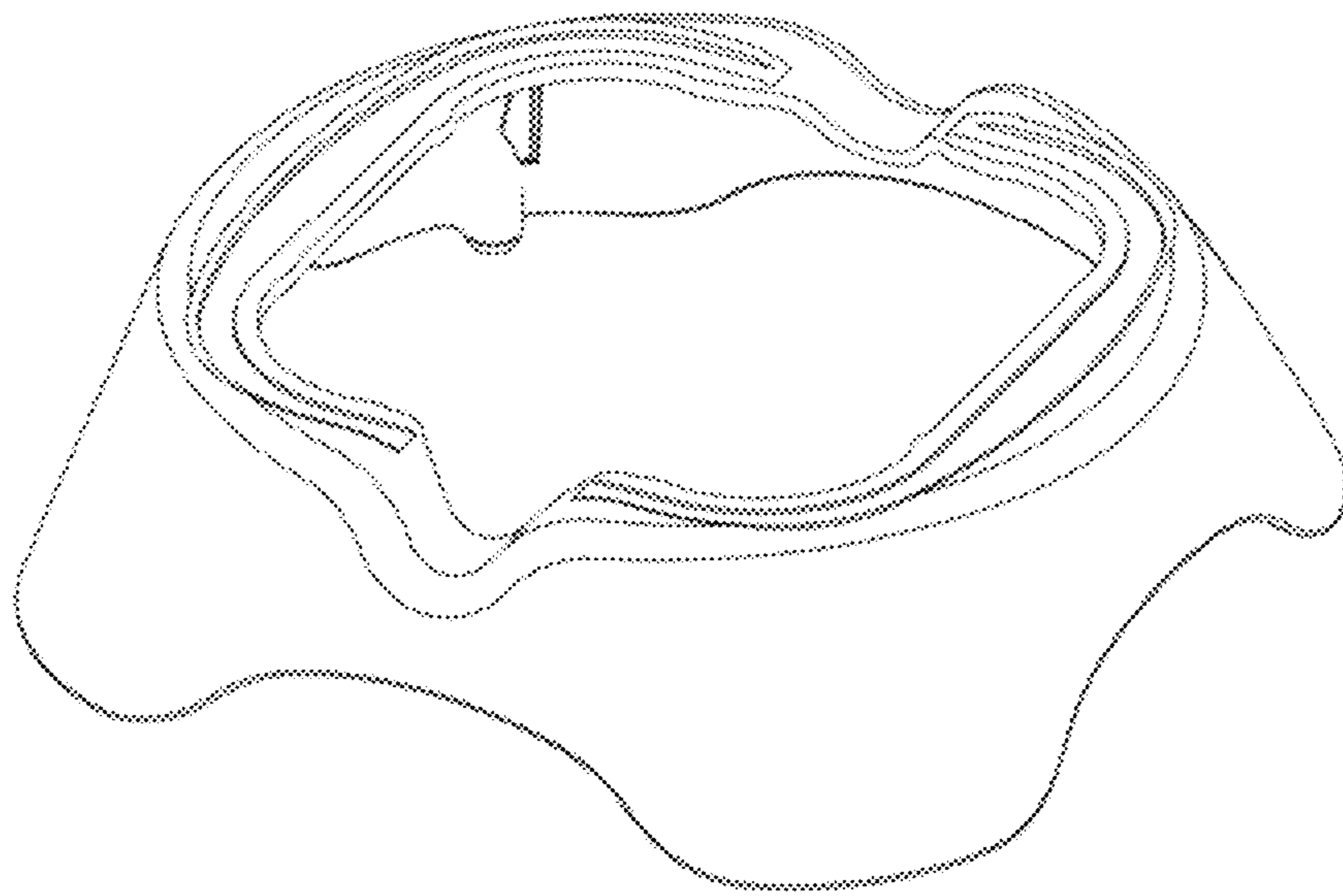


Fig. 1

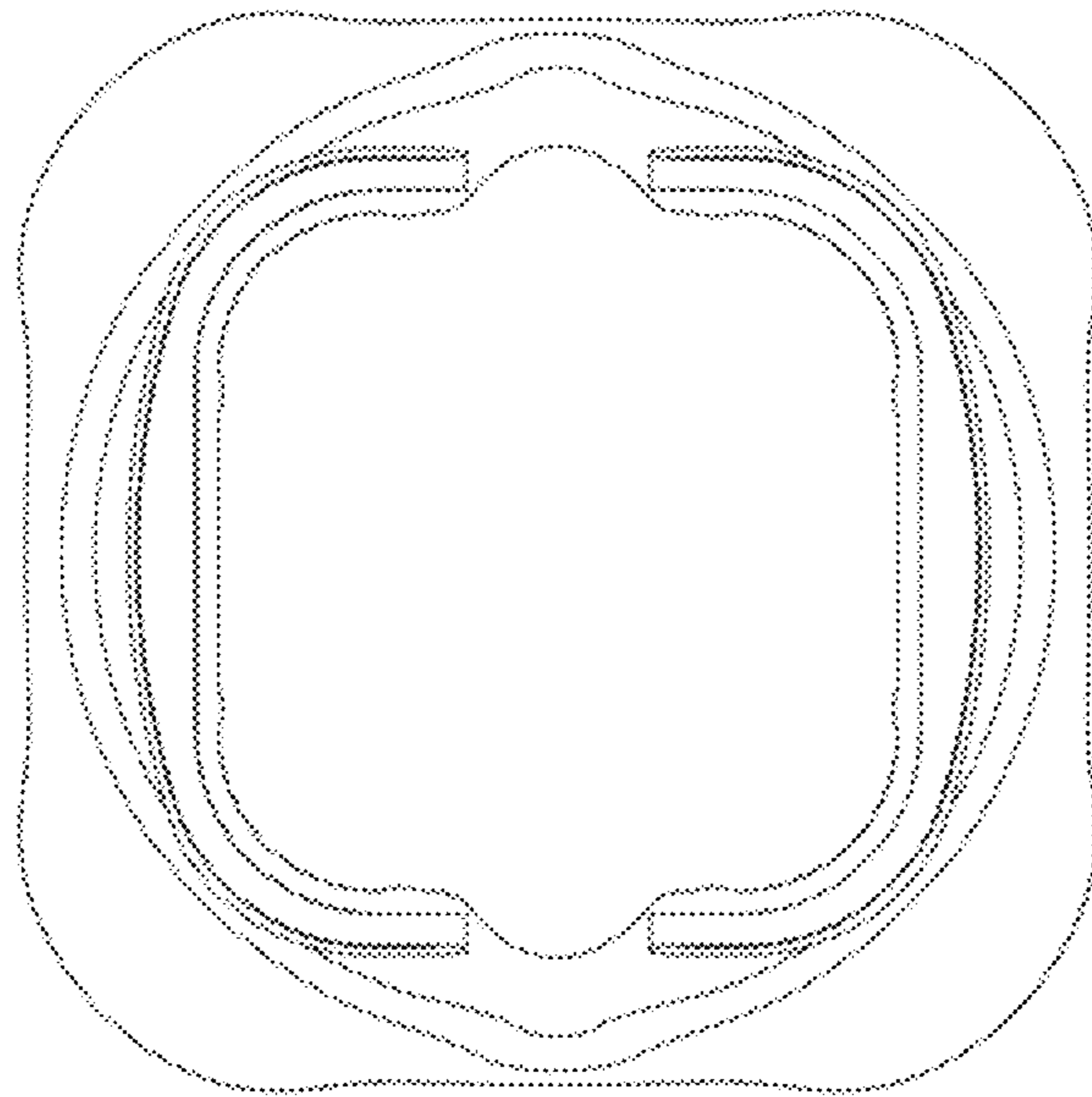


Fig. 2

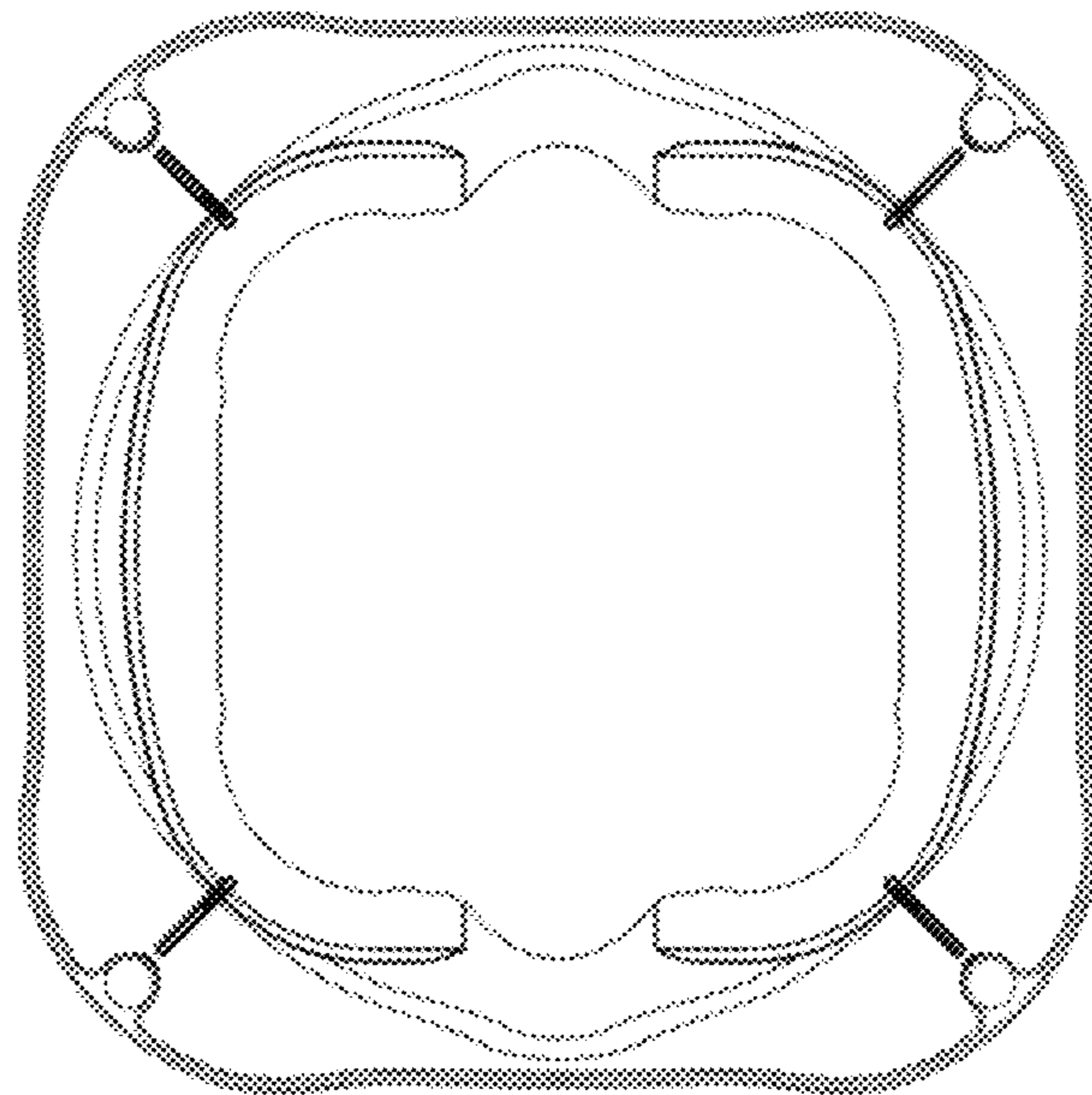


Fig. 3

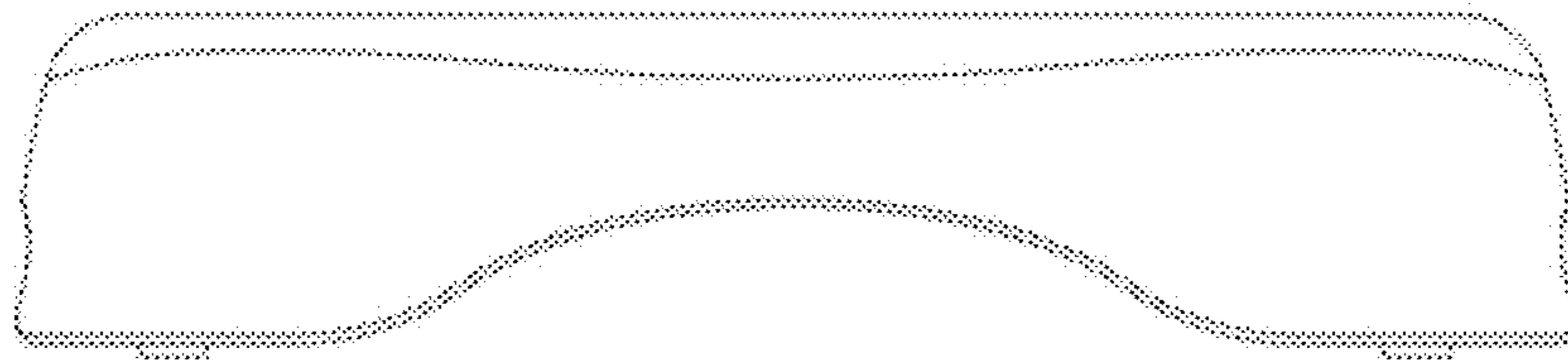


Fig. 4

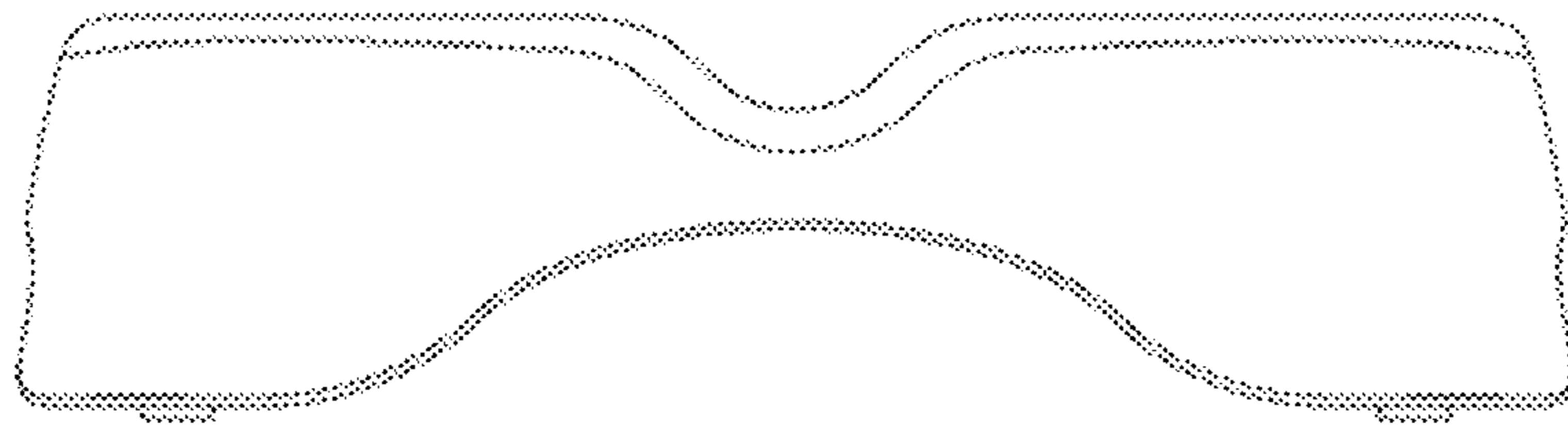


Fig. 5

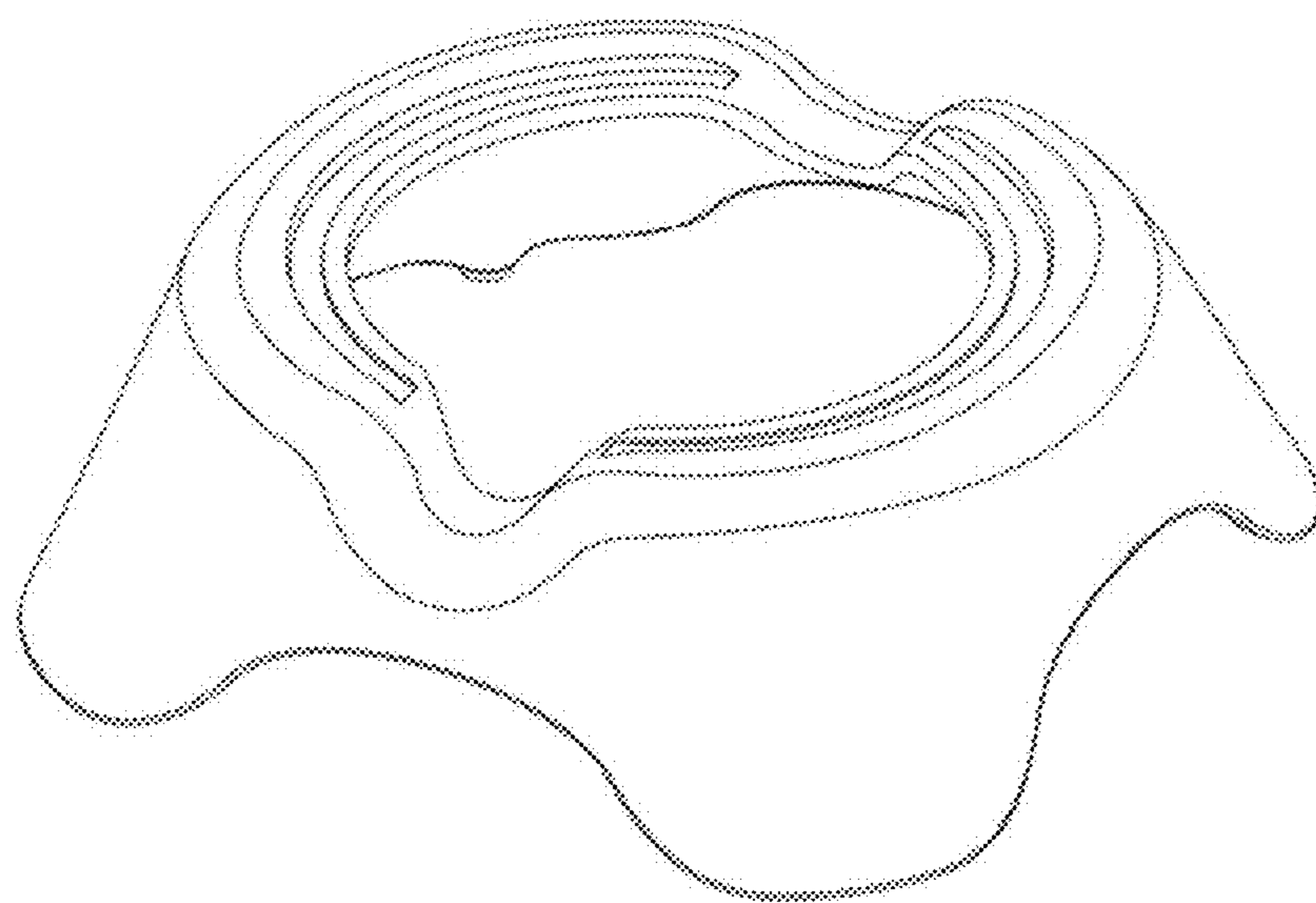


Fig. 6



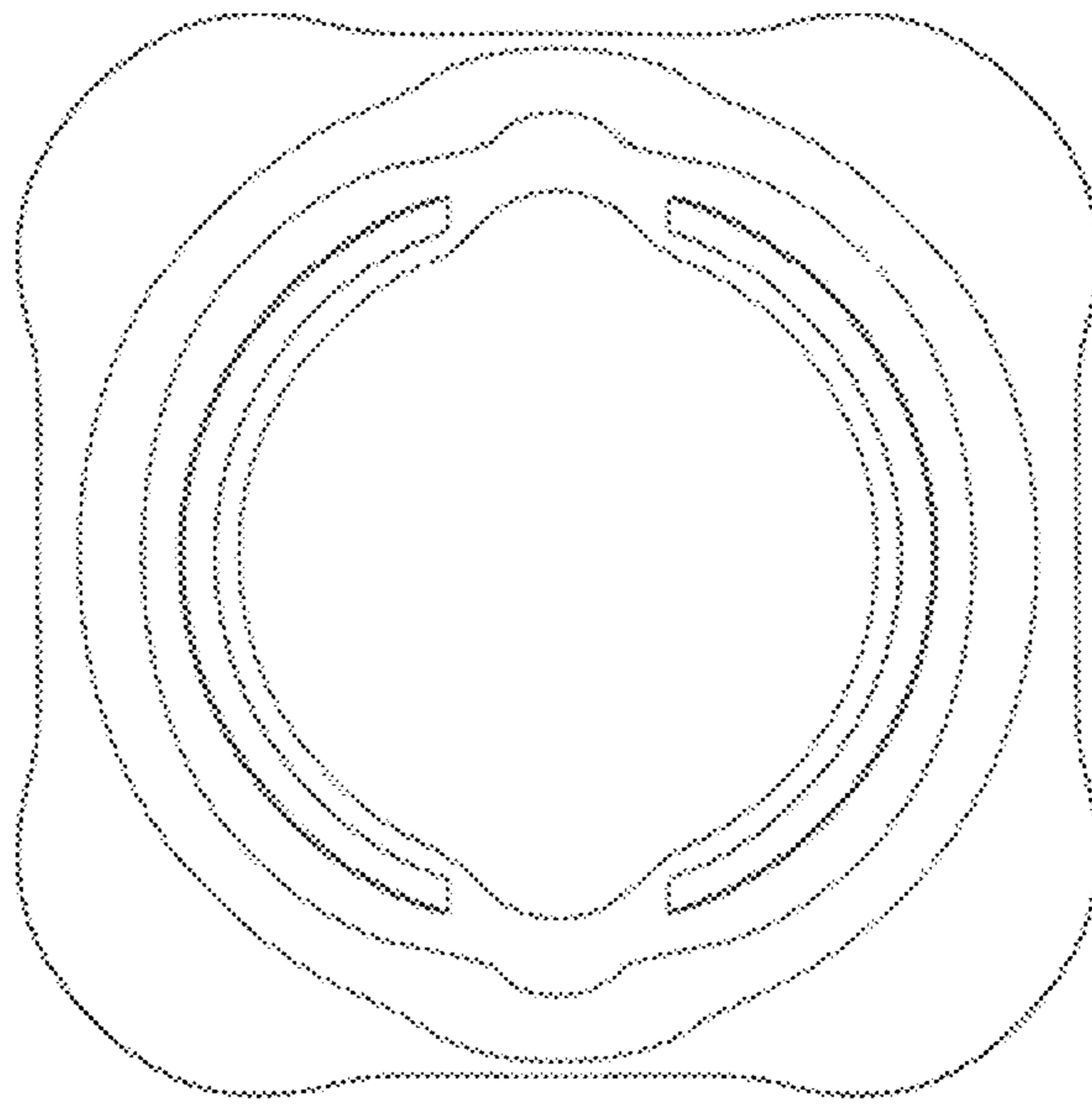


Fig. 7

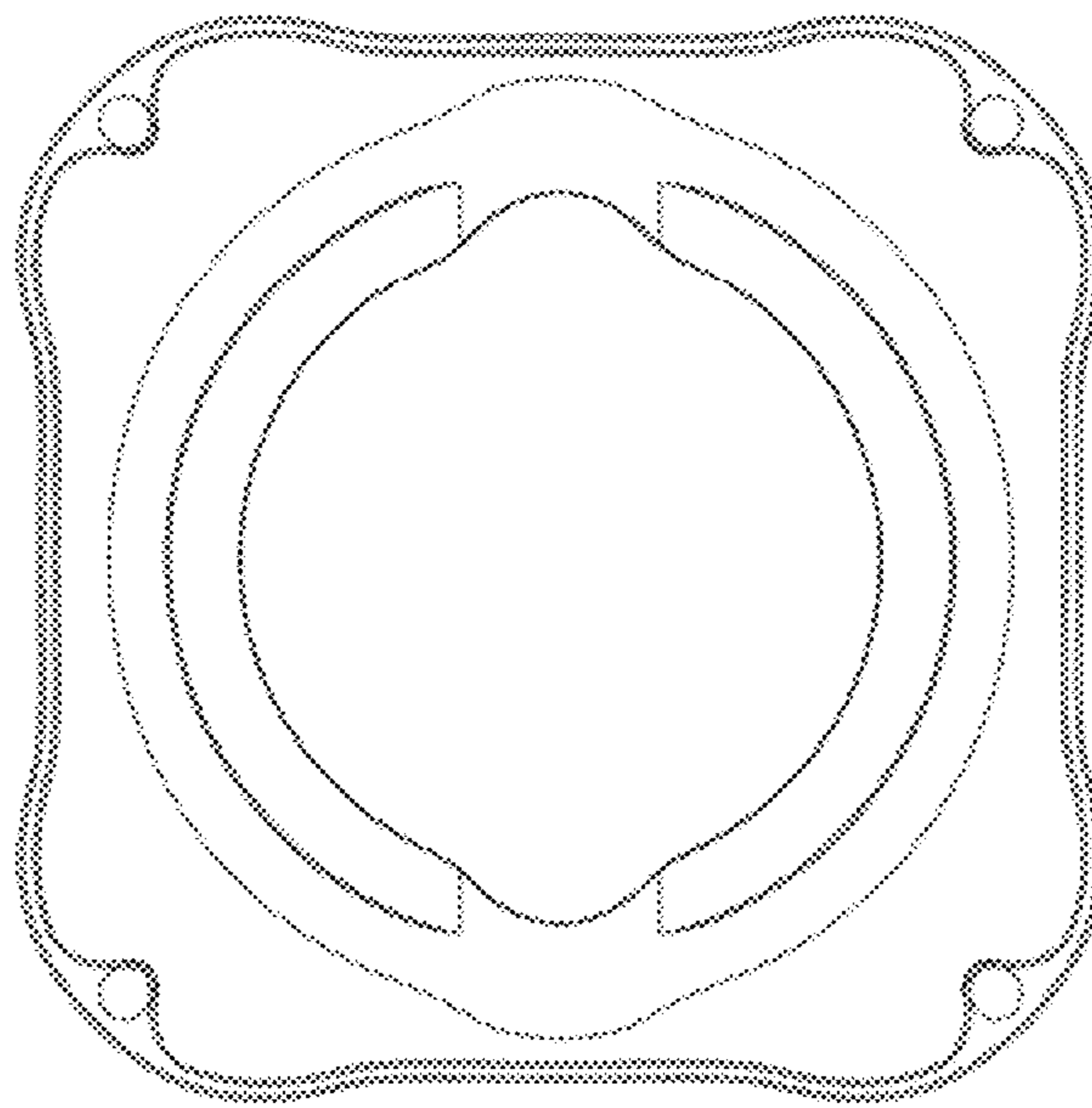


Fig. 8

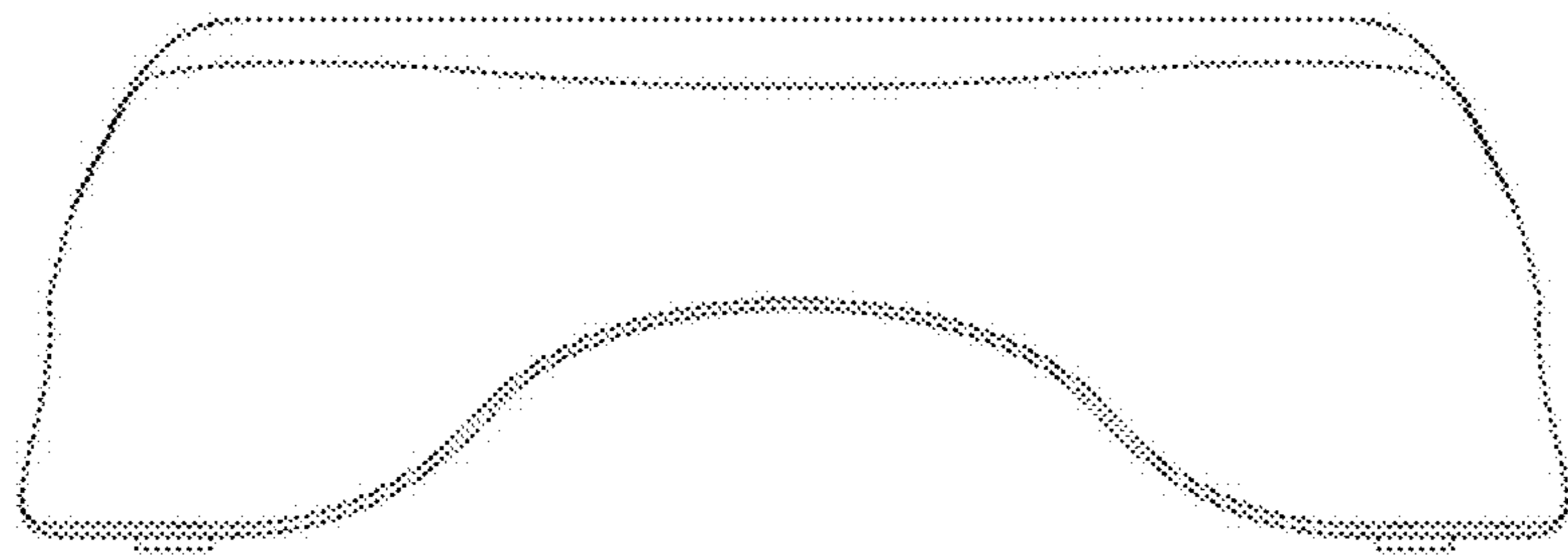


Fig. 9

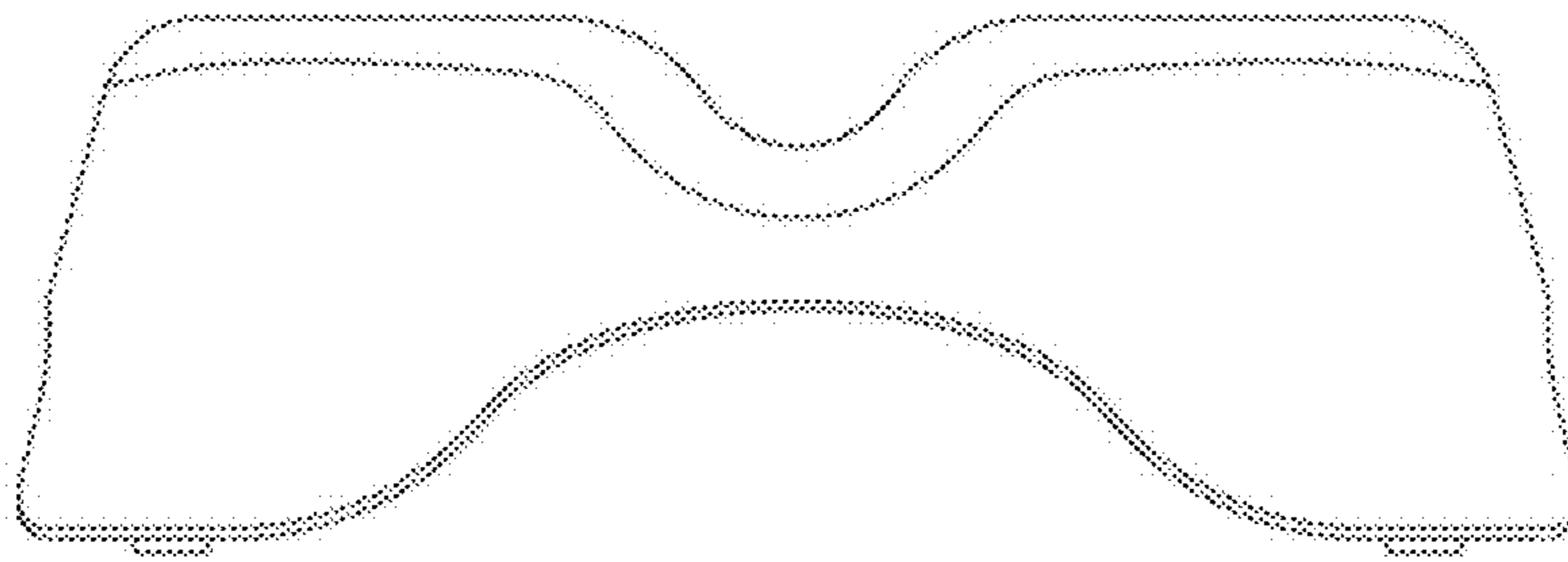


Fig. 10

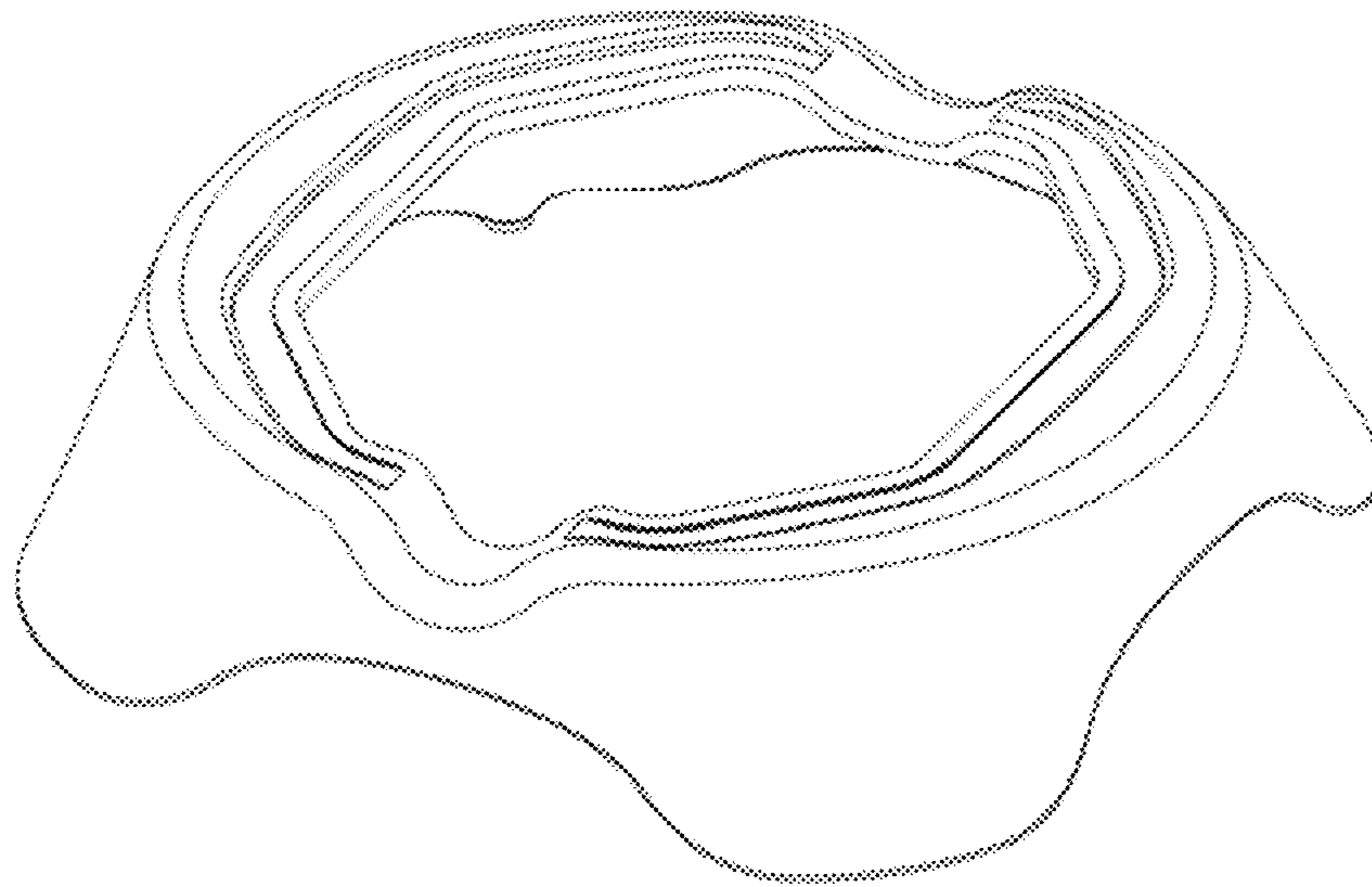


Fig. 11

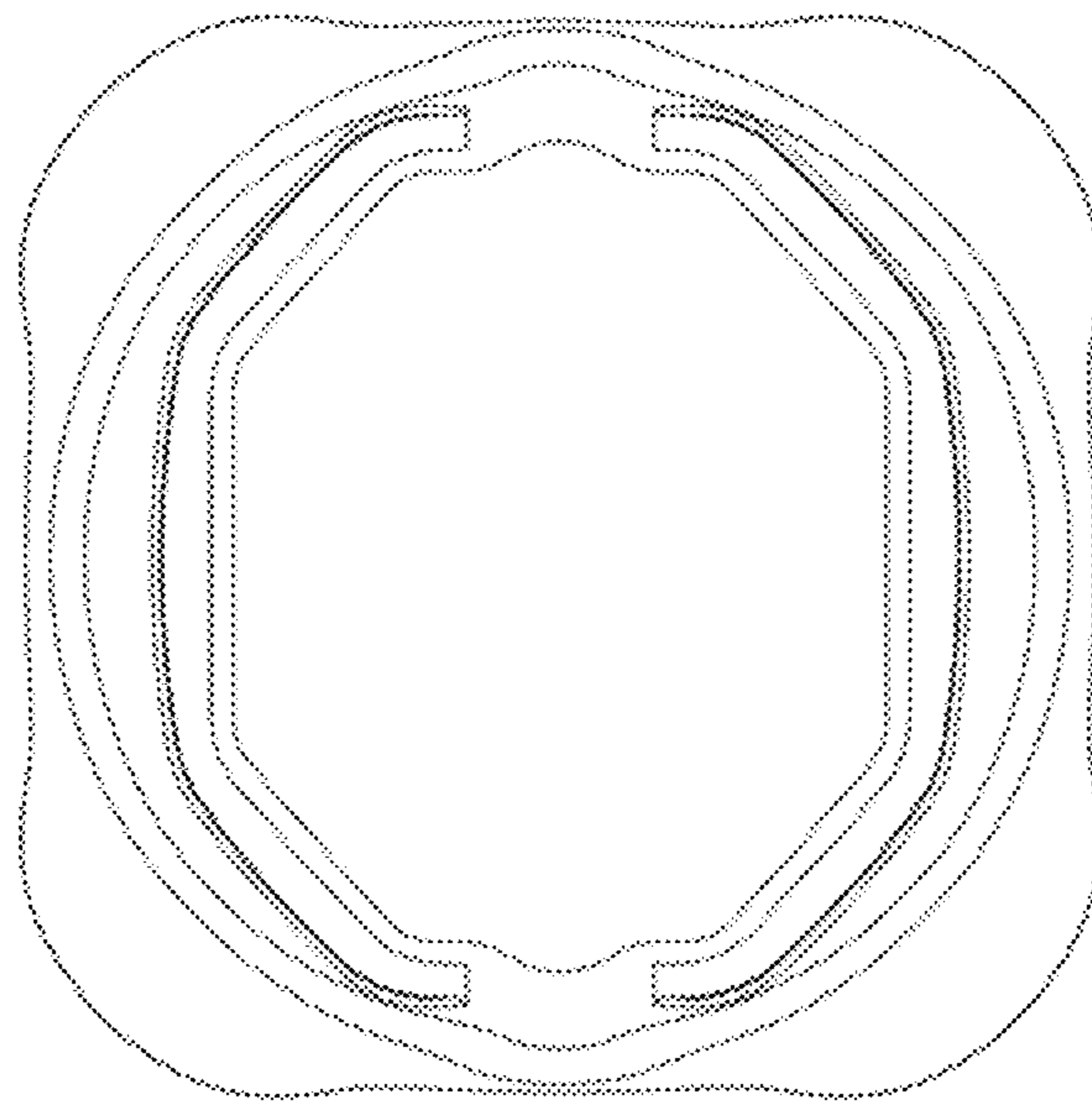


Fig. 12

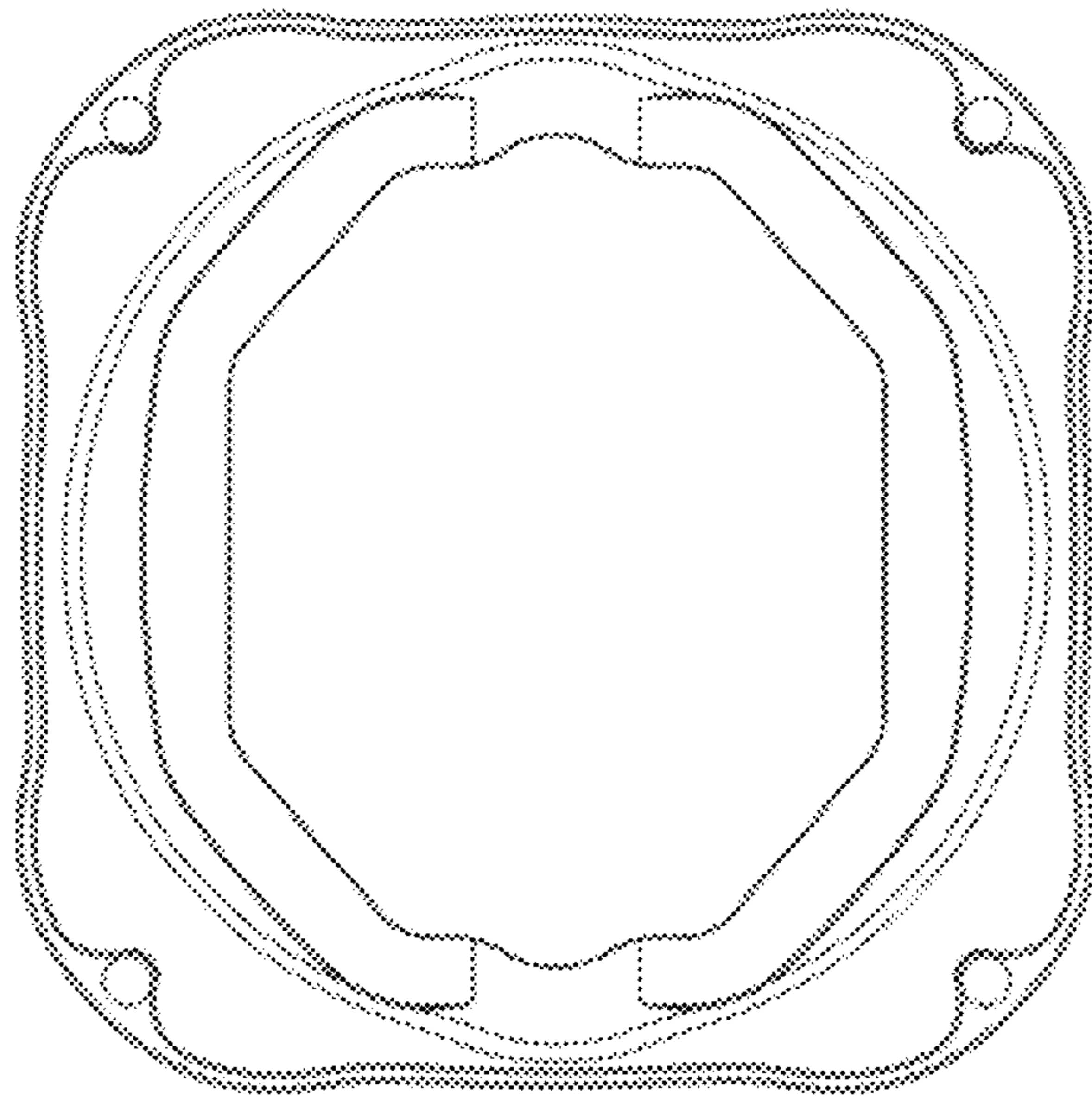


Fig. 13

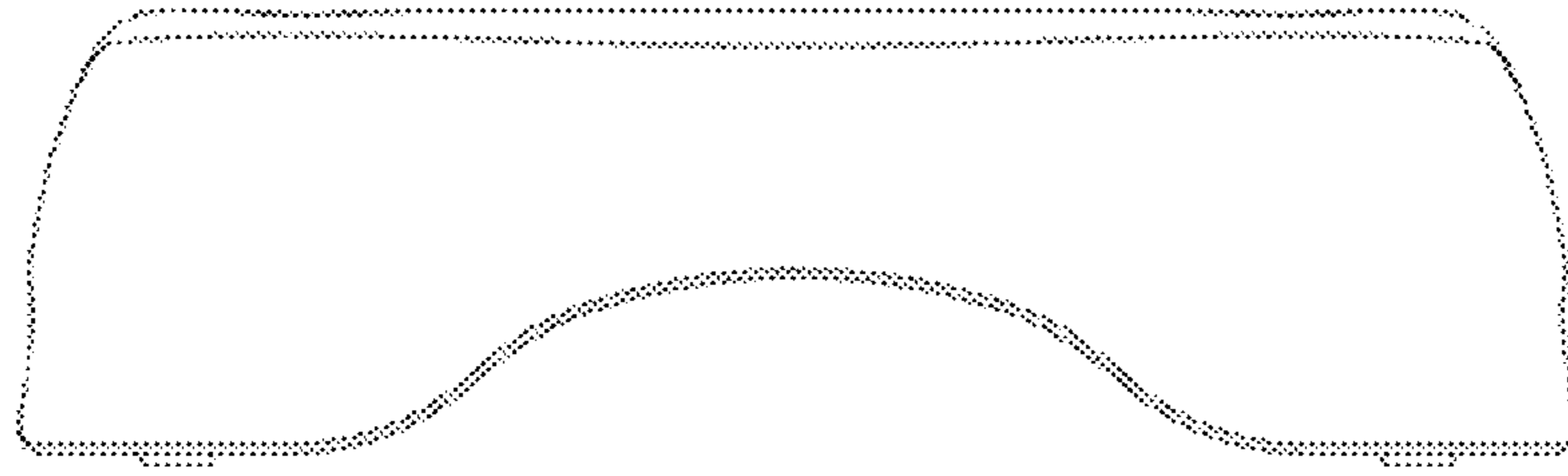


Fig. 14



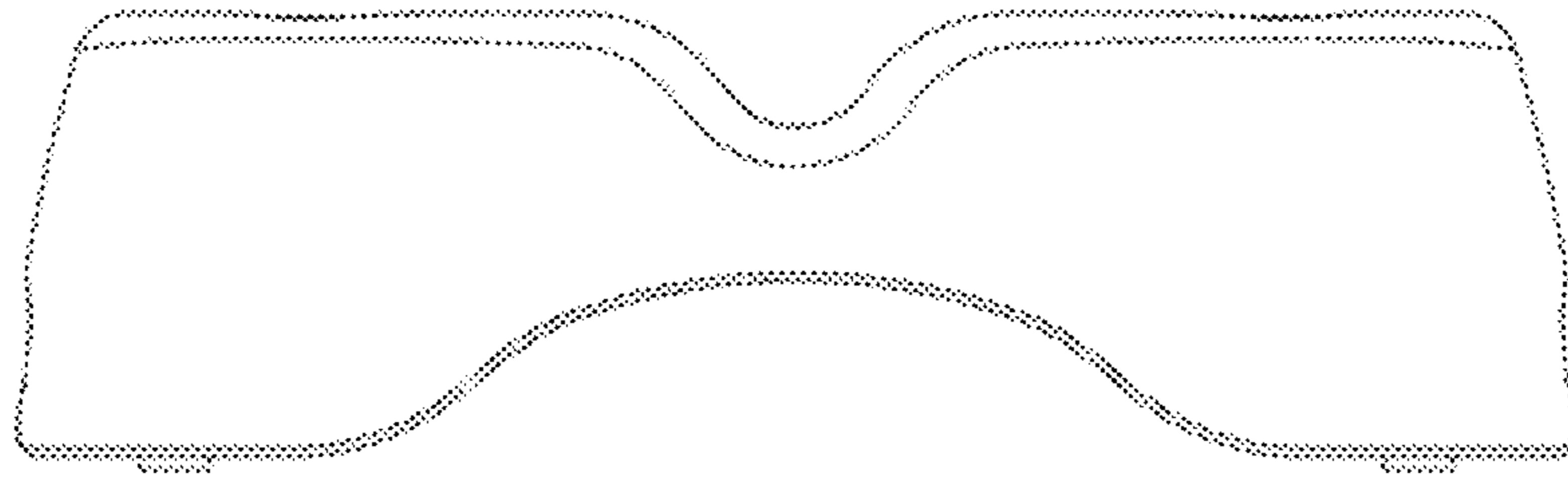


Fig. 15