

US00D834763S

(12) **United States Design Patent**
Laicheng

(10) **Patent No.:** **US D834,763 S**

(45) **Date of Patent:** **** Nov. 27, 2018**

- (54) **WHEELED PET CARRIER**
- (71) Applicant: **Hui-Chu Laicheng**, Taichung (TW)
- (72) Inventor: **Hui-Chu Laicheng**, Taichung (TW)
- (**) Term: **15 Years**
- (21) Appl. No.: **29/594,580**
- (22) Filed: **Feb. 21, 2017**
- (51) **LOC (11) Cl.** **30-02**
- (52) **U.S. Cl.**
USPC **D30/109**
- (58) **Field of Classification Search**
USPC D3/276, 289, 301; D30/108-109, 114;
D34/19-21; 119/453, 482, 496-497
CPC . A01K 1/00; A01K 1/03; A01K 1/033; A01K
1/0245; A01K 1/0254; A01K 29/00;
A01K 31/002; A01K 31/08; A01K 31/18;
A01K 31/07
See application file for complete search history.

(56) **References Cited**

U.S. PATENT DOCUMENTS

D296,026 S *	5/1988	Sugarman	D34/20
4,852,520 A *	8/1989	Goetz	A01K 1/0245 119/497
D453,592 S *	2/2002	Ross	D30/109
6,866,009 B2 *	3/2005	Smith, Jr.	A01K 1/0254 119/840
D548,408 S *	8/2007	Martz	D30/109
D548,966 S *	8/2007	Aliberti	D3/283
D566,907 S *	4/2008	Barca	D30/109
D583,108 S *	12/2008	Richardson	D30/109
7,665,421 B2 *	2/2010	Martz	A01K 1/0254 119/497
D619,307 S *	7/2010	Martin	D30/109
7,789,044 B2 *	9/2010	McGrade	A01K 1/0254 119/496

7,802,540 B2 *	9/2010	Jakubowski	A01K 1/0254 119/497
D662,263 S *	6/2012	Chau	D30/109
8,413,472 B2 *	4/2013	Chiang	E05G 1/024 119/497
8,579,305 B2 *	11/2013	Hou	B62B 3/02 280/37
D701,696 S *	4/2014	Shitrit	D3/279
D705,996 S *	5/2014	Renforth	D30/109
D717,005 S *	11/2014	Skaggs	D30/109
9,456,580 B2 *	10/2016	Ma	A01K 1/0254
9,745,116 B1 *	8/2017	Lopez	D06F 95/002
9,826,711 B1 *	11/2017	Evans	A01K 1/0245
D808,084 S *	1/2018	Lu	D30/109
2005/0224305 A1 *	10/2005	Davis	A45C 5/14 190/113
2007/0102253 A1 *	5/2007	Godshaw	A45C 5/143 190/18 A
2008/0216760 A1 *	9/2008	Cannon	A01K 1/0254 119/497

* cited by examiner

Primary Examiner — Cathy Anne MacCormac
(74) *Attorney, Agent, or Firm* — Wang Law Firm, Inc.

(57) **CLAIM**

The ornamental design for a wheeled pet carrier, as shown.

DESCRIPTION

FIG. 1 is a front perspective view of a wheeled pet carrier in accordance with the present invention;
FIG. 2 is a front view thereof;
FIG. 3 is a rear view thereof;
FIG. 4 is a left view thereof;
FIG. 5 is a right view thereof;
FIG. 6 is a top view thereof;
FIG. 7 is a bottom view thereof; and,
FIG. 8 is a rear perspective view, showing the handle extended.

1 Claim, 8 Drawing Sheets

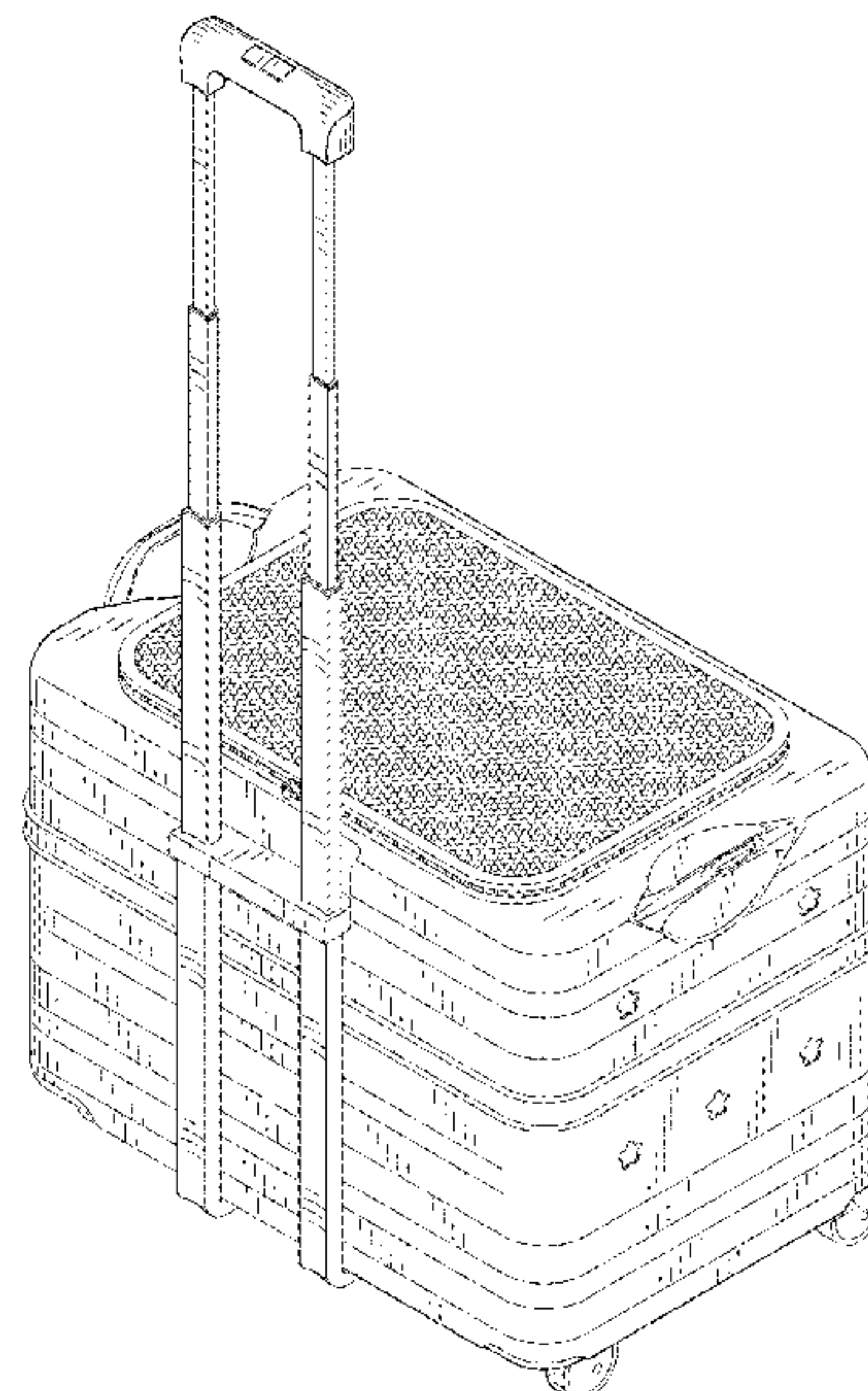




FIG.1

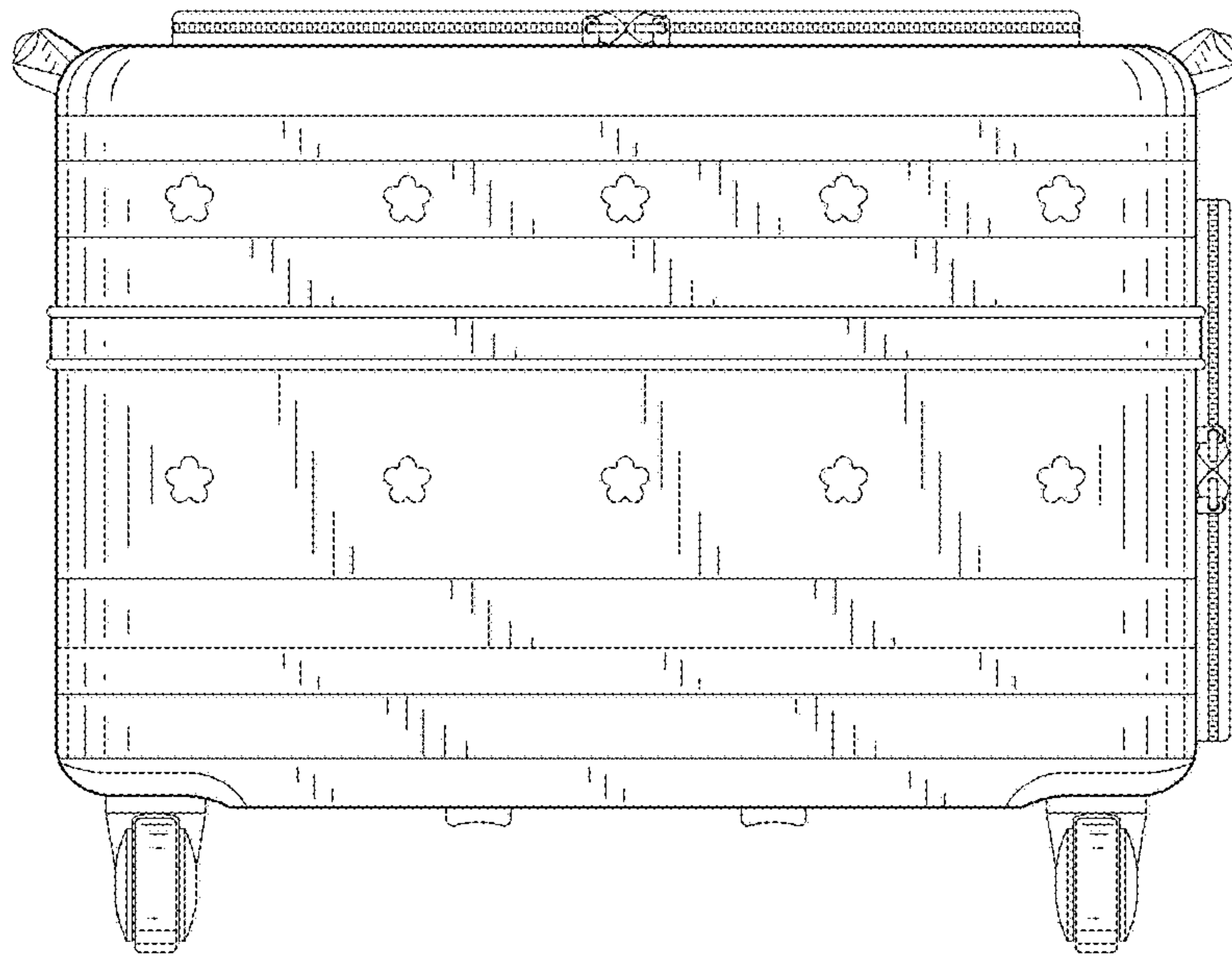


FIG.2

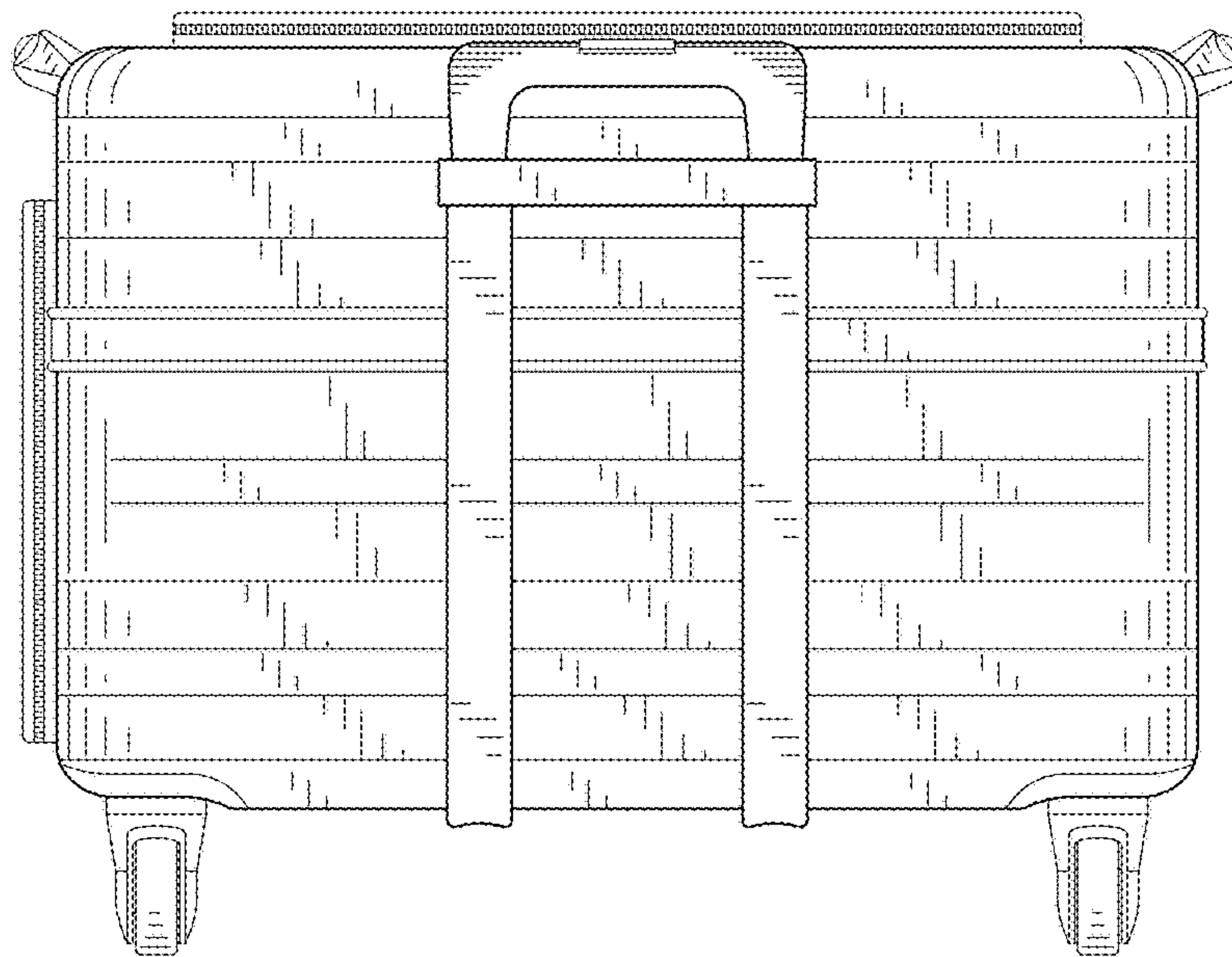


FIG.3

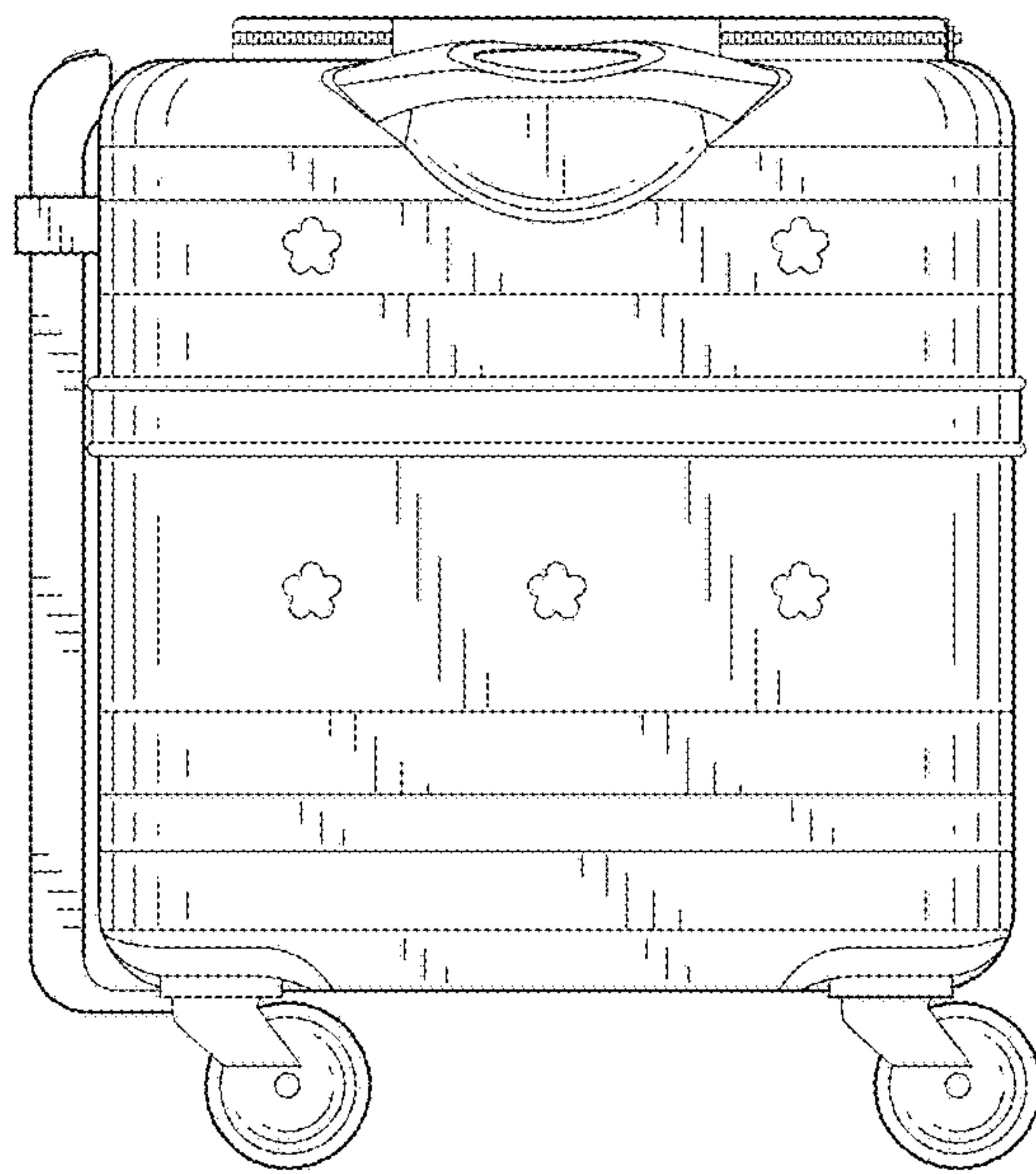


FIG.4

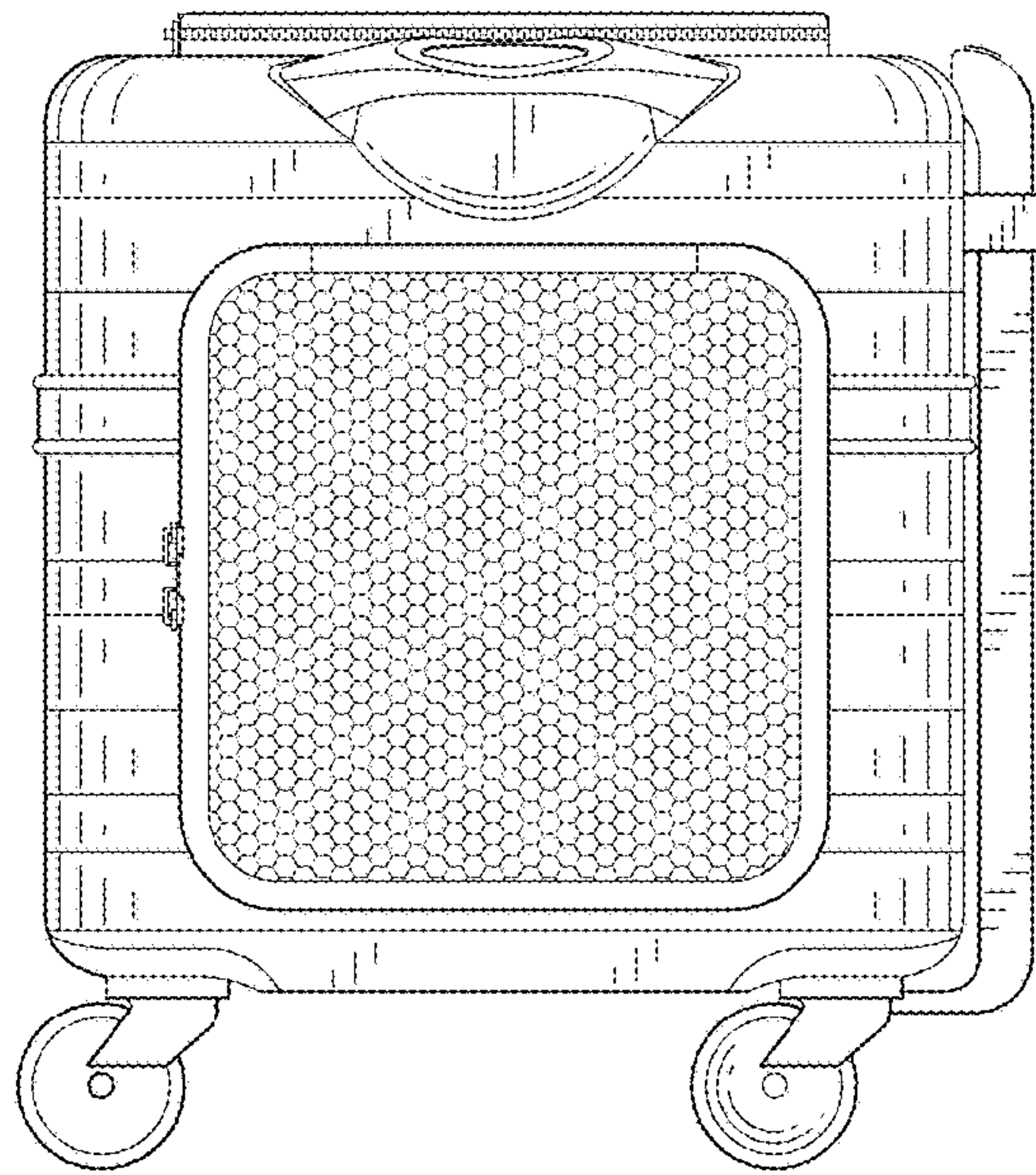


FIG.5

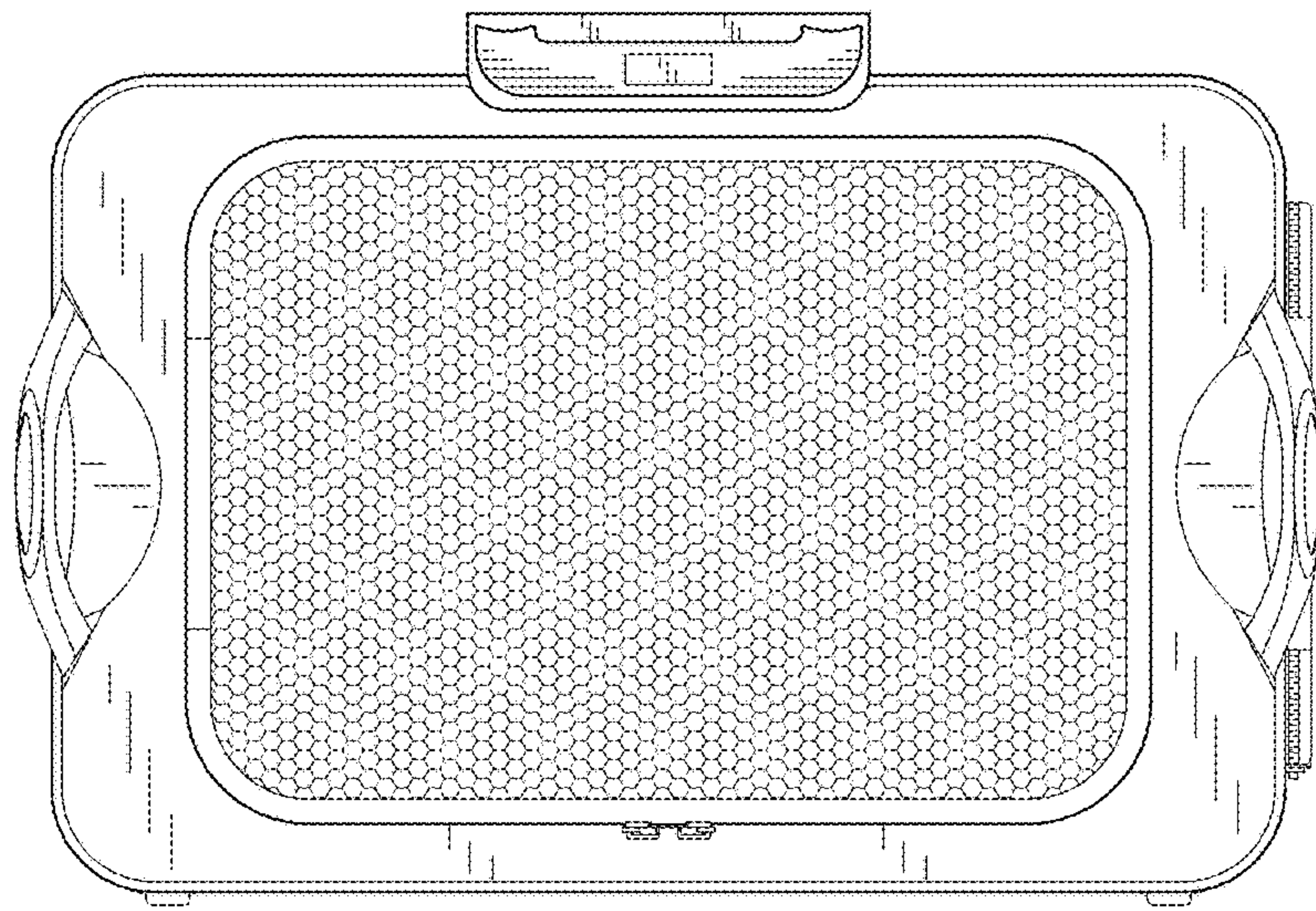


FIG.6

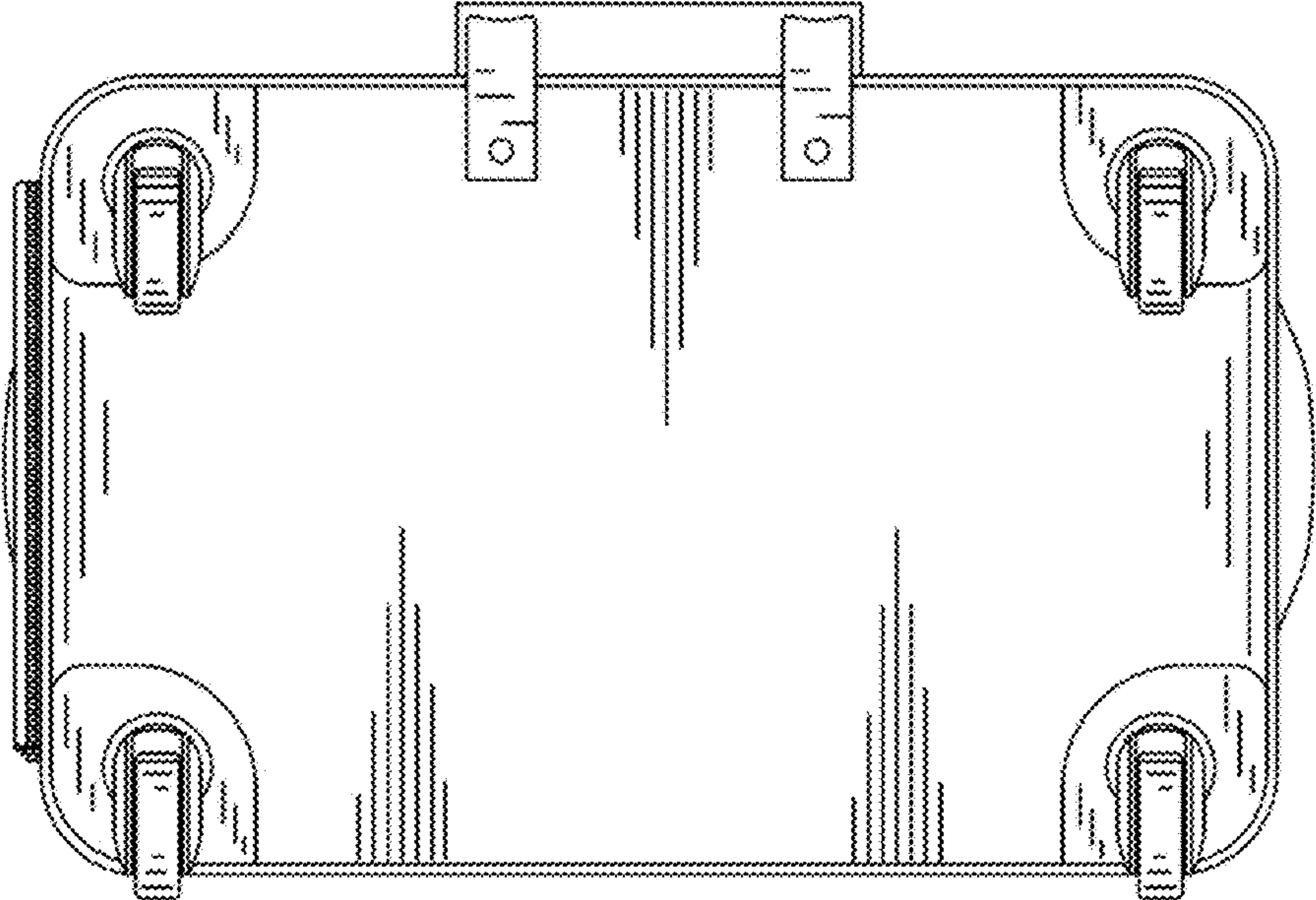


FIG.7

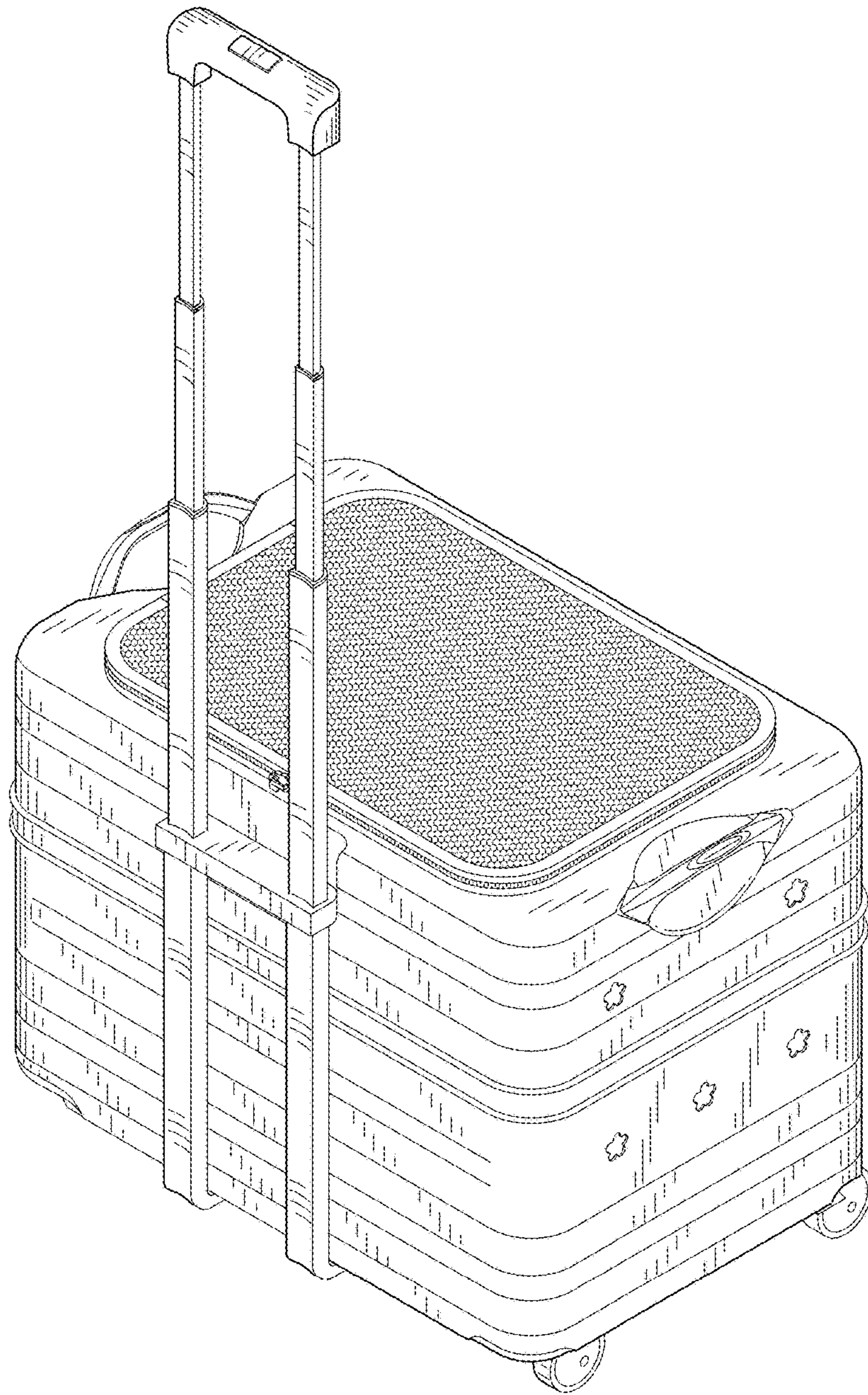


FIG.8