



US00D834762S

(12) **United States Design Patent** (10) **Patent No.:** **US D834,762 S**  
**Berggren et al.** (45) **Date of Patent:** **\*\* Nov. 27, 2018**

- (54) **DETACHABLE CHIN SHIELD**
- (71) Applicant: **3M INNOVATIVE PROPERTIES COMPANY**, St. Paul, MN (US)
- (72) Inventors: **Martin A. J. M. Berggren**, Tällberg (SE); **Oskar E. Juhlin**, Gustavsberg (SE)
- (73) Assignee: **3M Innovative Properties Company**, St. Paul, MN (US)
- (\*\*) Term: **15 Years**
- (21) Appl. No.: **29/642,943**
- (22) Filed: **Apr. 3, 2018**

- (56) **References Cited**
- U.S. PATENT DOCUMENTS

D517,745 S *	3/2006	Lee	.....	D29/122
D584,008 S	12/2008	Juhlin		
D592,811 S *	5/2009	Juhlin	.....	D29/122
D668,001 S	9/2012	Juhlin et al.		
D674,150 S	1/2013	Juhlin et al.		
D775,427 S *	12/2016	Zhou	.....	D29/110
9,596,902 B2 *	3/2017	Daniels	.....	A42B 3/16
D793,007 S	7/2017	Yang		

\* cited by examiner

*Primary Examiner* — Robert A Delehanty  
 (74) *Attorney, Agent, or Firm* — Johannes P. M. Kusters

(57) **CLAIM**

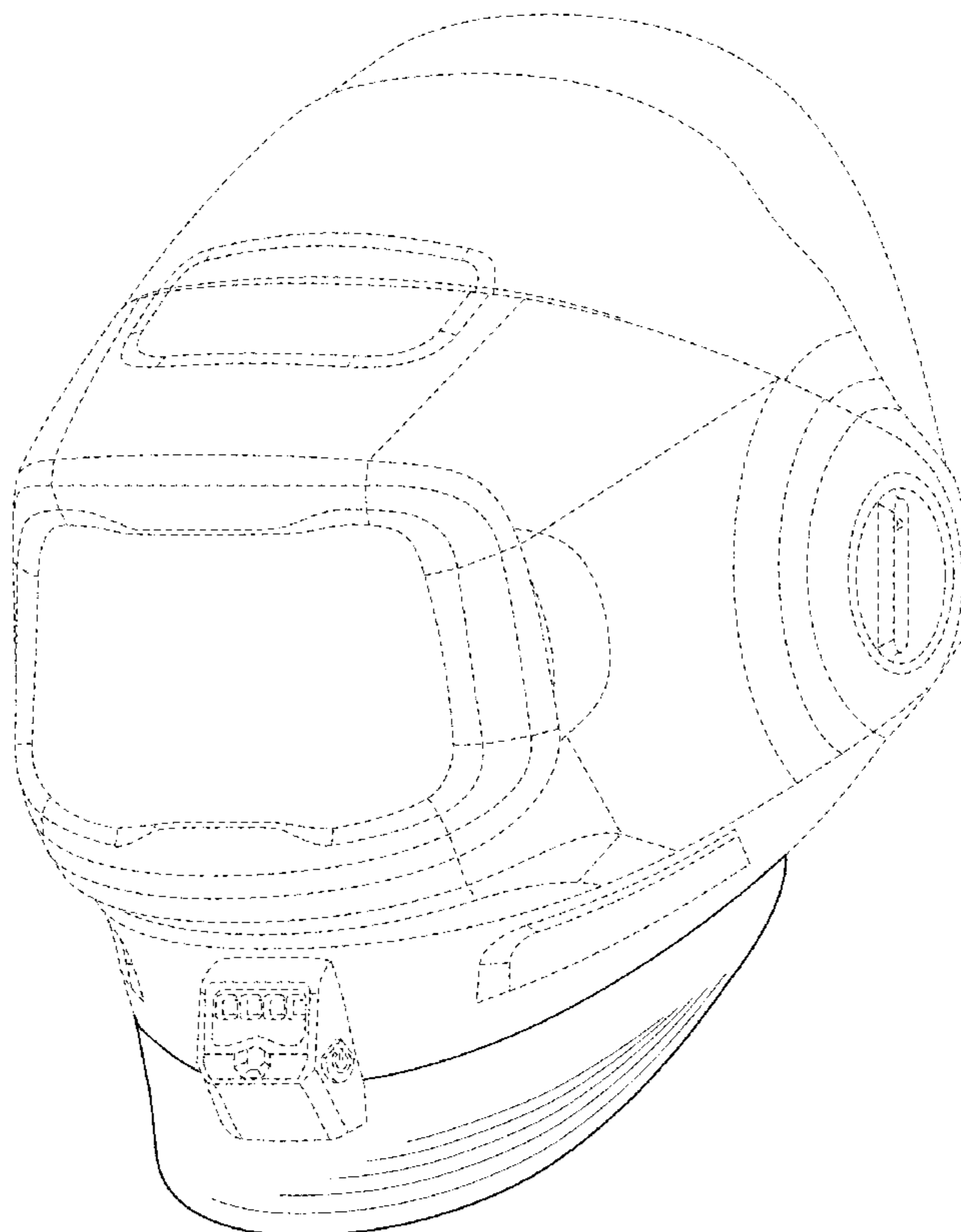
The ornamental design for a detachable chin shield, as shown and described.

**DESCRIPTION**

FIG. 1 is a perspective view showing the new design for a detachable chin shield for a welding helmet;  
 FIG. 2 is a front view thereof;  
 FIG. 3 is a back view thereof;  
 FIG. 4 is a right side view thereof;  
 FIG. 5 is a left side view thereof;  
 FIG. 6 is a top view thereof; and,  
 FIG. 7 is a bottom view thereof.  
 The broken lines showing of a welding helmet form no part of the claimed design.

- Related U.S. Application Data**
  - (63) Continuation of application No. 29/618,738, filed on Sep. 22, 2017.
  - (51) **LOC (11) Cl.** ..... **29-02**
  - (52) **U.S. Cl.**  
USPC ..... **D29/122; D29/110**
  - (58) **Field of Classification Search**  
USPC ..... **D29/108–110, 102–107, 122; D24/110.1–110.3**
- See application file for complete search history.

**1 Claim, 7 Drawing Sheets**



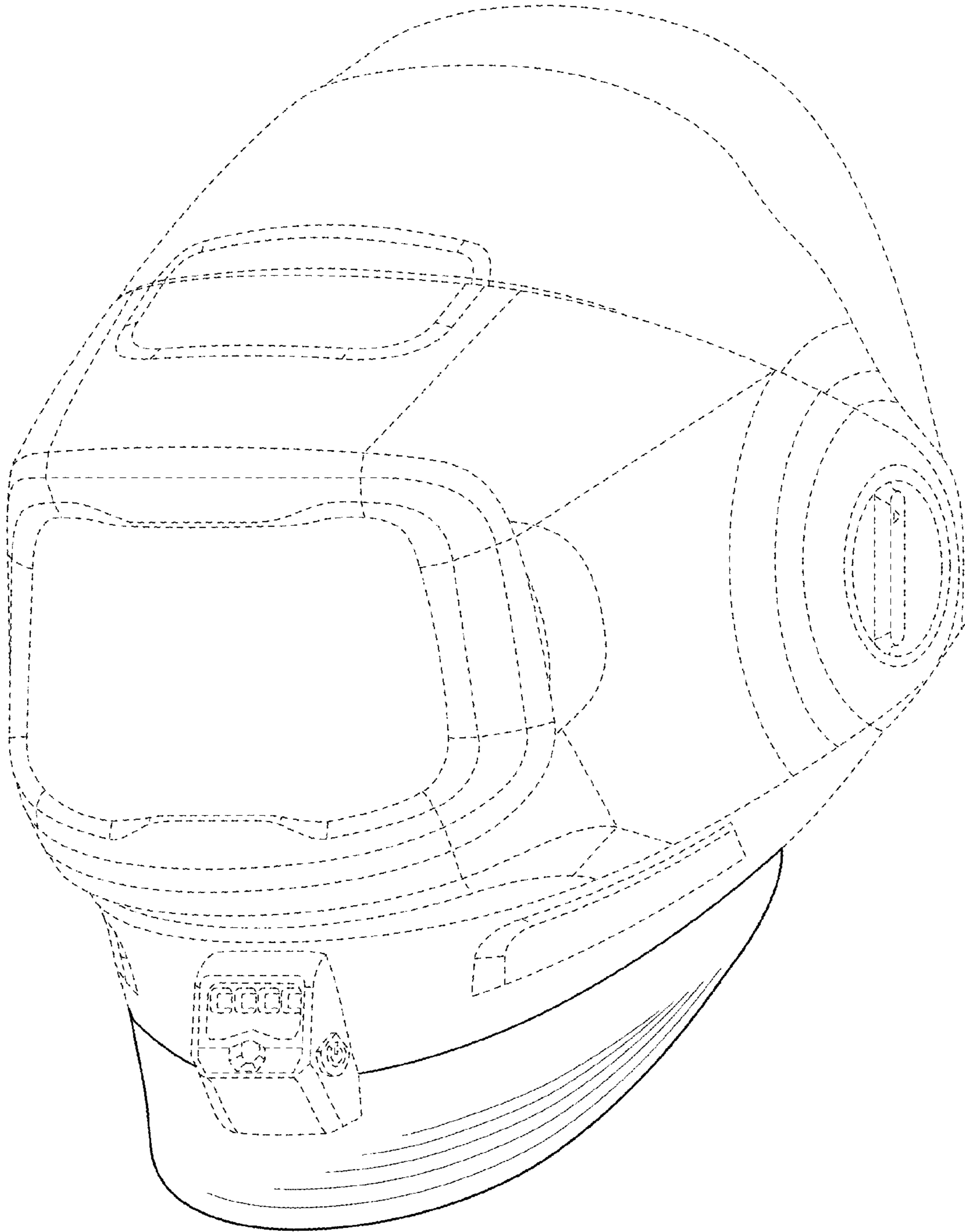


FIG. 1

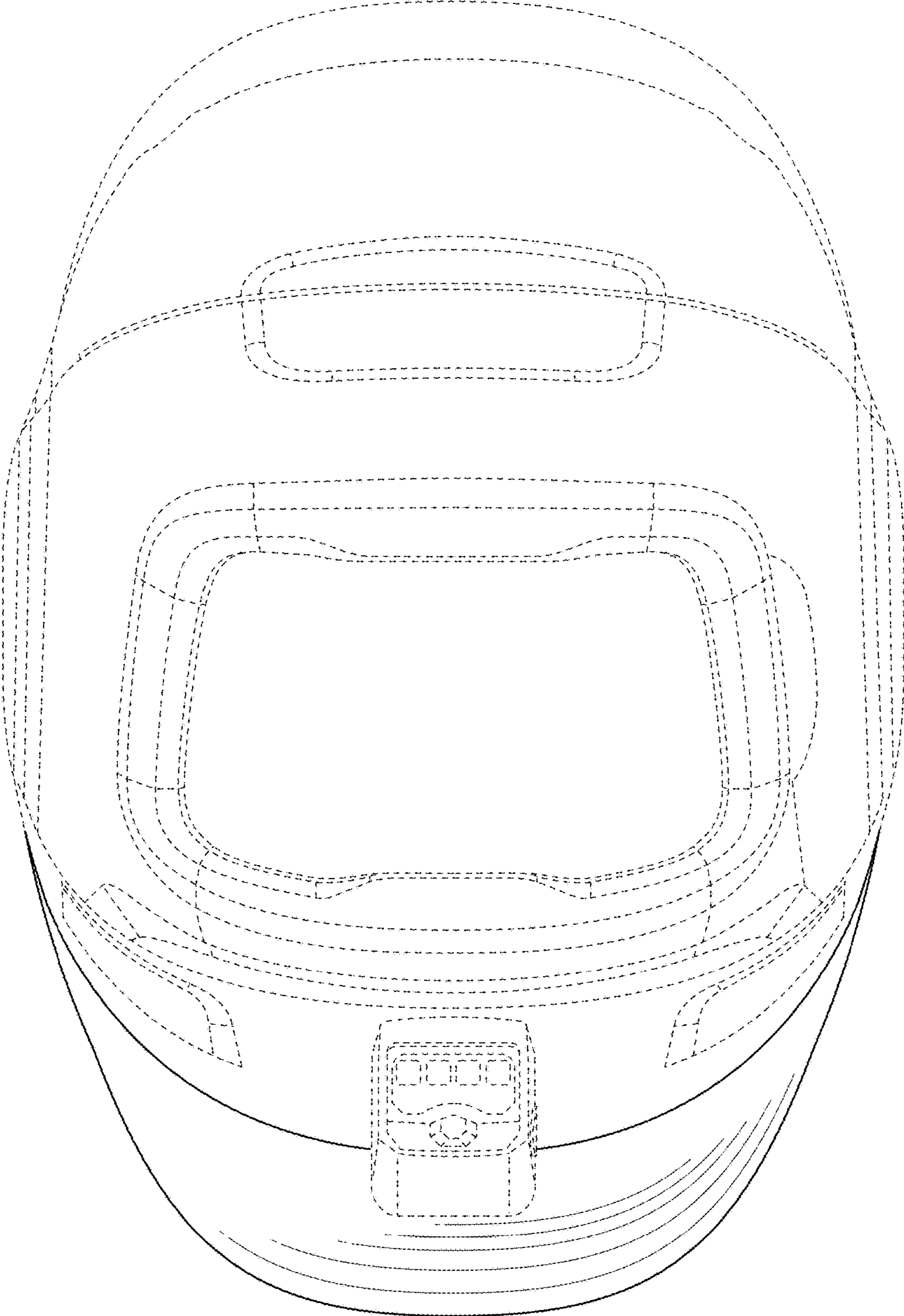


FIG. 2

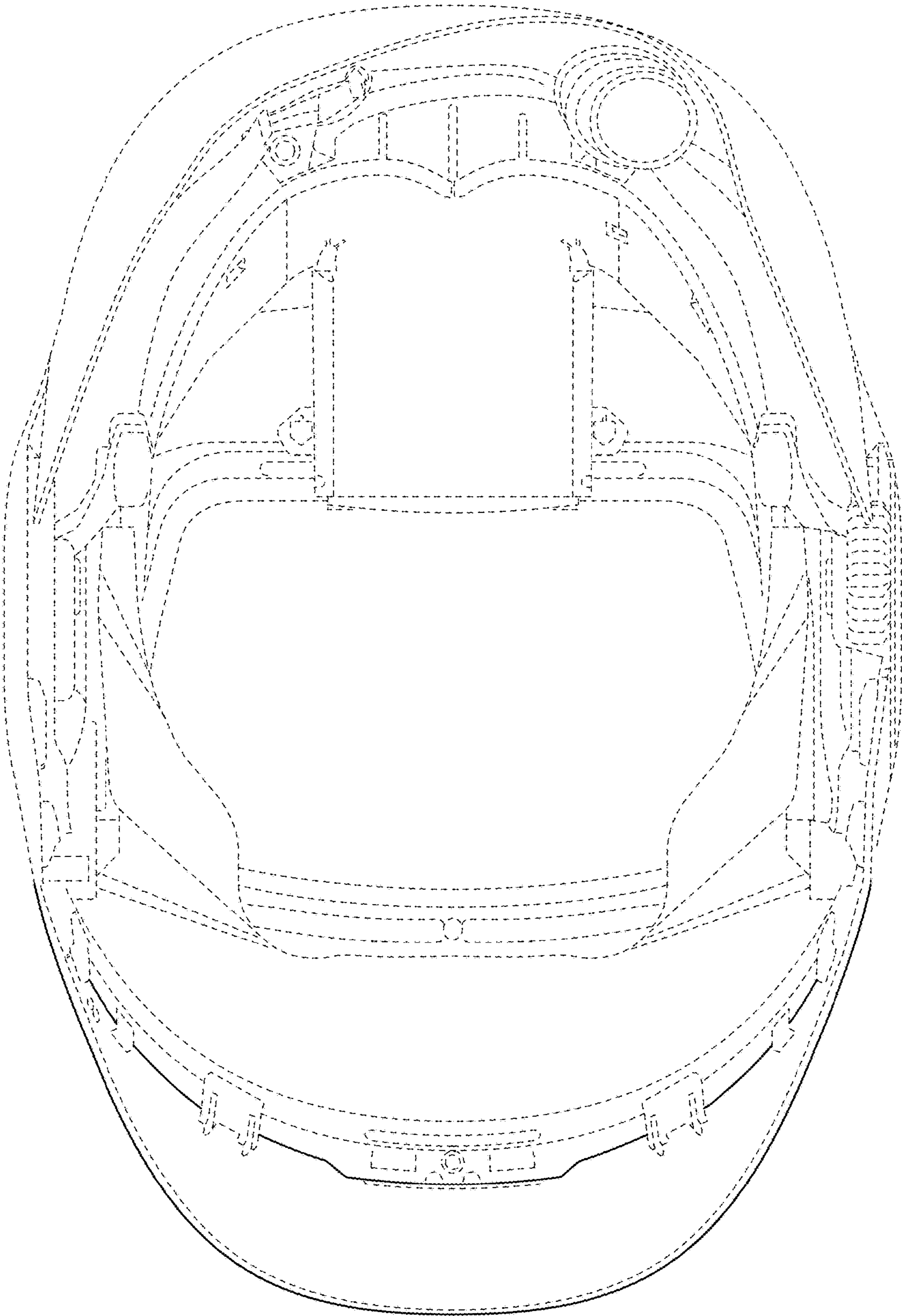


FIG. 3

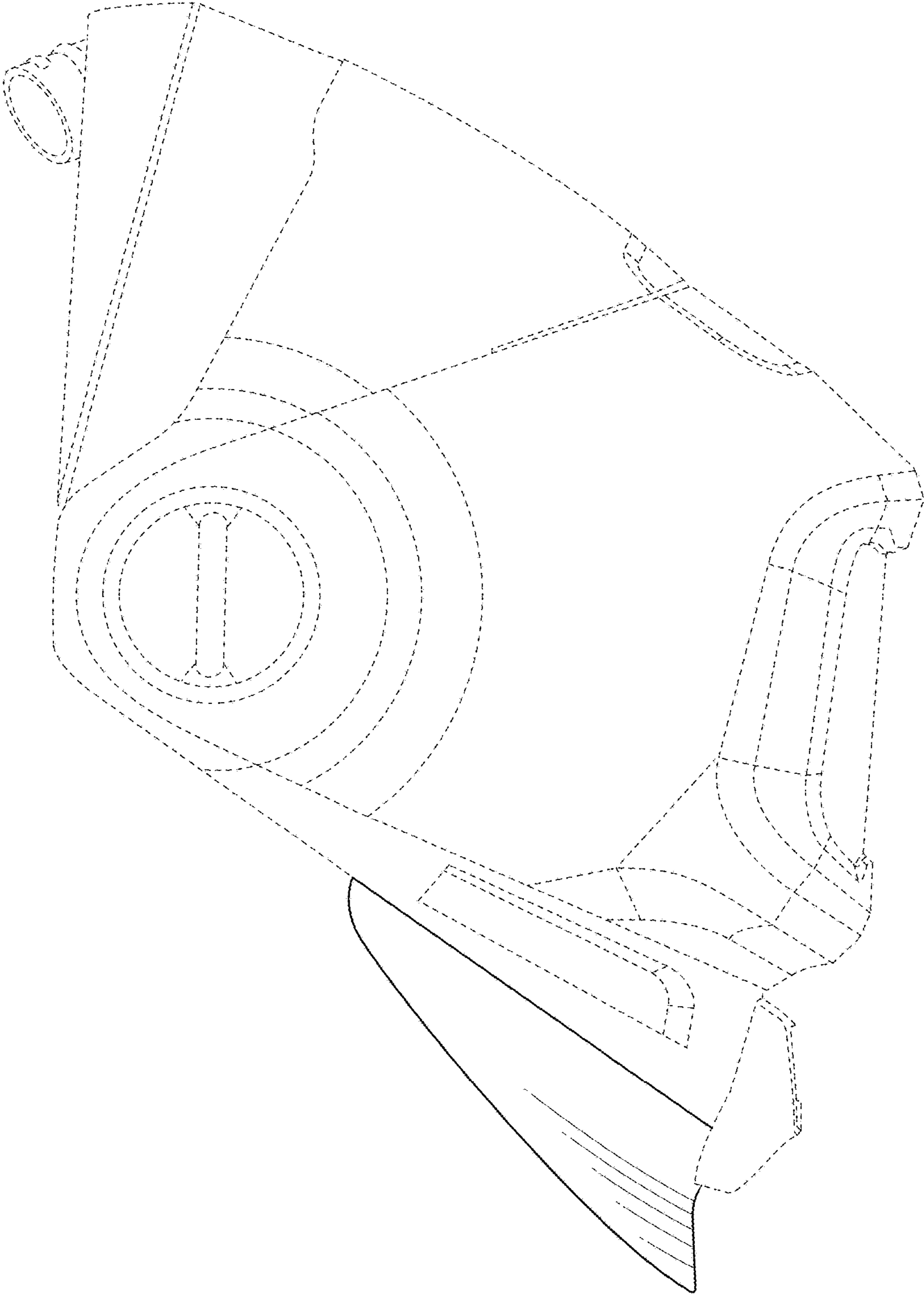


FIG. 4

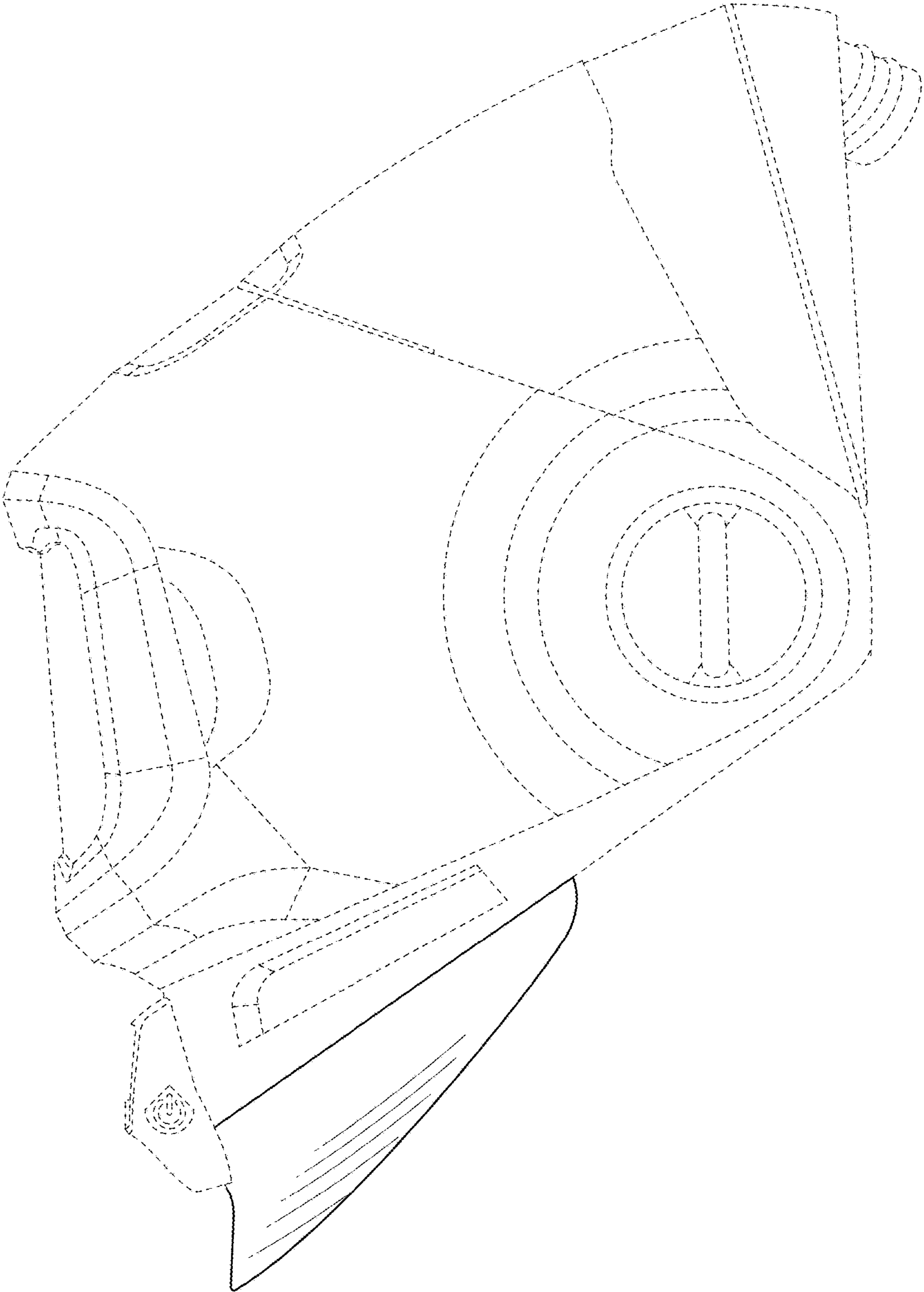


FIG. 5

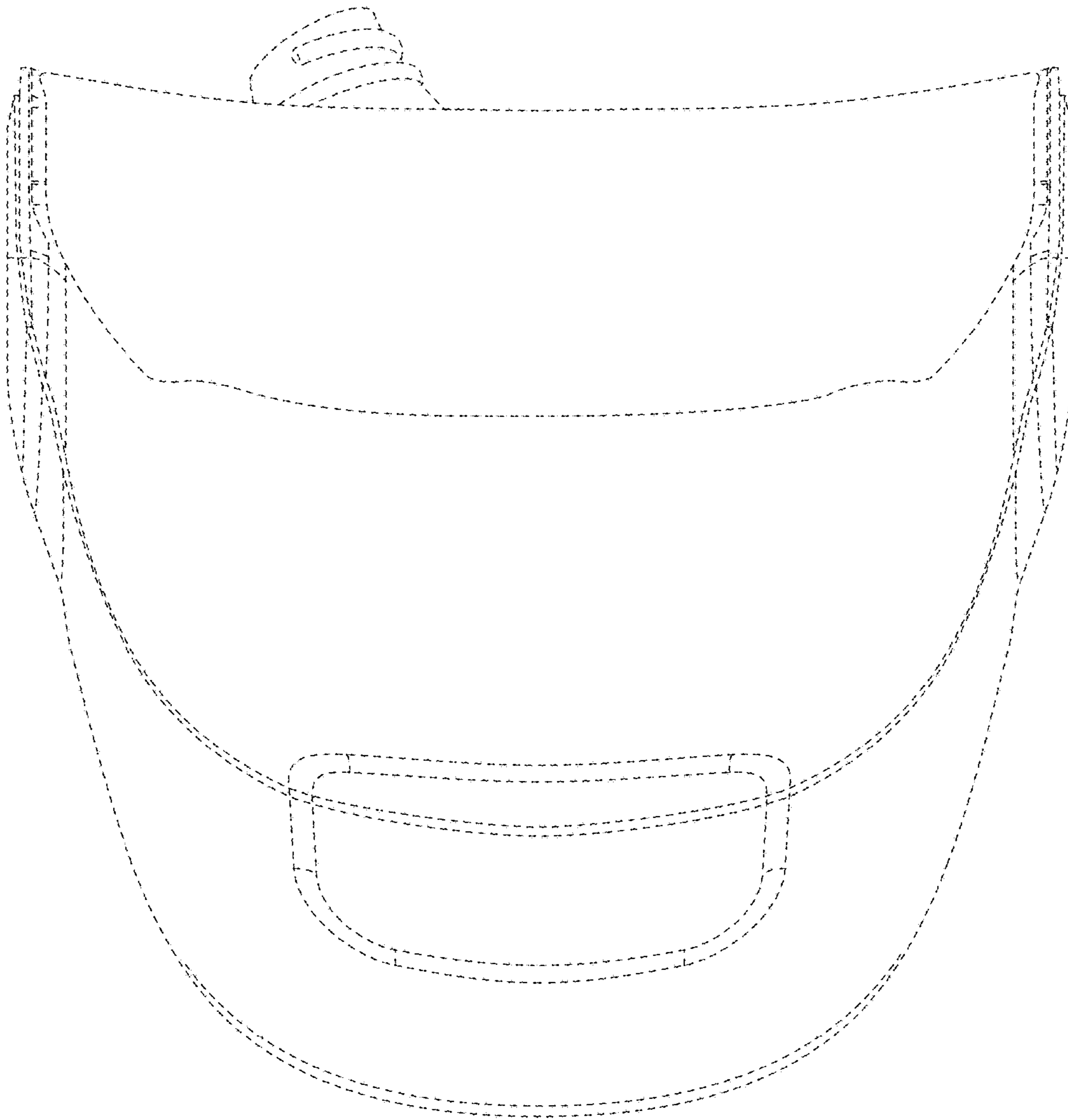


FIG. 6

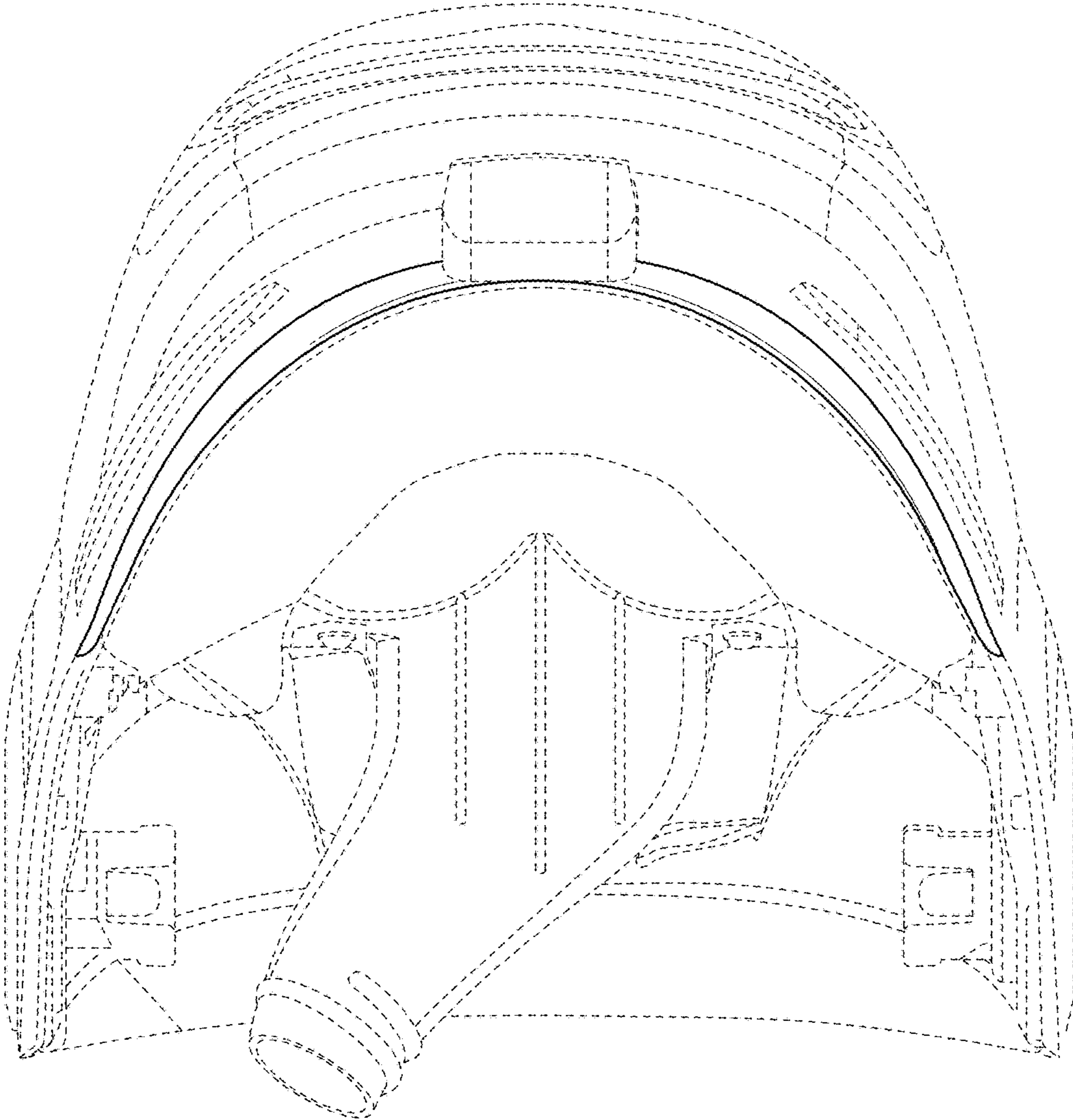


FIG. 7