

US00D834761S

(12) **United States Design Patent** (10) **Patent No.:** **US D834,761 S**  
**Berggren et al.** (45) **Date of Patent:** **\*\* Nov. 27, 2018**

(54) **TASK LIGHT**  
(71) Applicant: **3M INNOVATIVE PROPERTIES COMPANY**, St. Paul, MN (US)  
(72) Inventors: **Martin A. J. M. Berggren**, Tällberg (SE); **Oskar E. Juhlin**, Gustavsberg (SE)  
(73) Assignee: **3M Innovative Properties Company**, St. Paul, MN (US)  
(\*\*) Term: **15 Years**  
(21) Appl. No.: **29/642,938**  
(22) Filed: **Apr. 3, 2018**

D360,058 S \* 7/1995 Reede ..... D29/103  
D361,396 S \* 8/1995 Bruckler ..... D26/39  
6,799,862 B2 \* 10/2004 Galli ..... F21L 4/005  
200/60  
D527,846 S \* 9/2006 Isenbarger ..... D29/103  
7,513,662 B2 \* 4/2009 Parker ..... F21L 4/00  
362/155  
7,520,630 B2 \* 4/2009 Murphy ..... A62B 18/08  
2/410  
7,611,255 B1 \* 11/2009 Lagassey ..... A42B 1/244  
362/103  
8,701,212 B2 \* 4/2014 Daniels ..... A61F 9/067  
2/8.2  
9,210,963 B1 \* 12/2015 Ellis ..... A42B 3/30  
D762,317 S \* 7/2016 Ormsbee ..... D26/39  
9,596,902 B2 \* 3/2017 Daniels ..... A42B 3/16  
D819,892 S \* 6/2018 Lee ..... D29/107

\* cited by examiner

**Related U.S. Application Data**

(63) Continuation of application No. 29/618,738, filed on Sep. 22, 2017.  
(51) **LOC (11) Cl.** ..... **29-02**  
(52) **U.S. Cl.**  
USPC ..... **D29/122**  
(58) **Field of Classification Search**  
USPC ..... D29/108–110, 102–107, 122;  
D24/110.1–110.3; D26/38–39, 51;  
D2/866  
See application file for complete search history.

*Primary Examiner* — Robert A Delehanty  
(74) *Attorney, Agent, or Firm* — Johannes P. M. Kusters

(57) **CLAIM**

The ornamental design for a task light, as shown and described.

**DESCRIPTION**

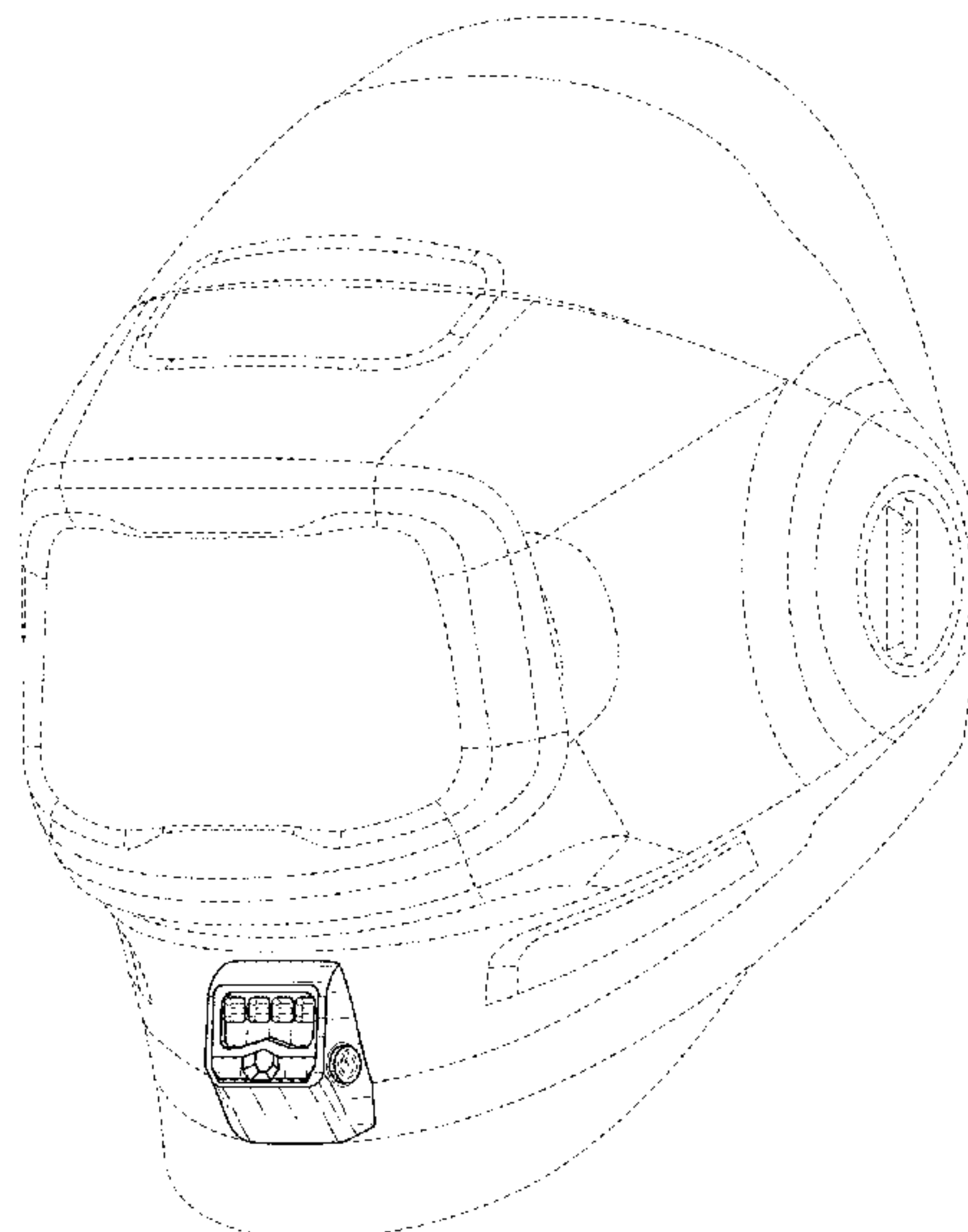
FIG. 1 is a perspective view showing the new design for a task light for a welding helmet;  
FIG. 2 is a front view thereof;  
FIG. 3 is a back view thereof;  
FIG. 4 is a right side view thereof;  
FIG. 5 is a left side view thereof;  
FIG. 6 is a top view thereof; and,  
FIG. 7 is a bottom view thereof.  
The broken lines showing of a welding helmet form no part of the claimed design.

(56) **References Cited**

**U.S. PATENT DOCUMENTS**

D205,179 S \* 7/1966 Miller ..... D29/103  
D255,283 S \* 6/1980 Piche ..... D24/110.3  
4,901,210 A \* 2/1990 Hanabusa ..... A42B 3/044  
2/422  
D340,546 S \* 10/1993 Kamata ..... D29/107

**1 Claim, 7 Drawing Sheets**



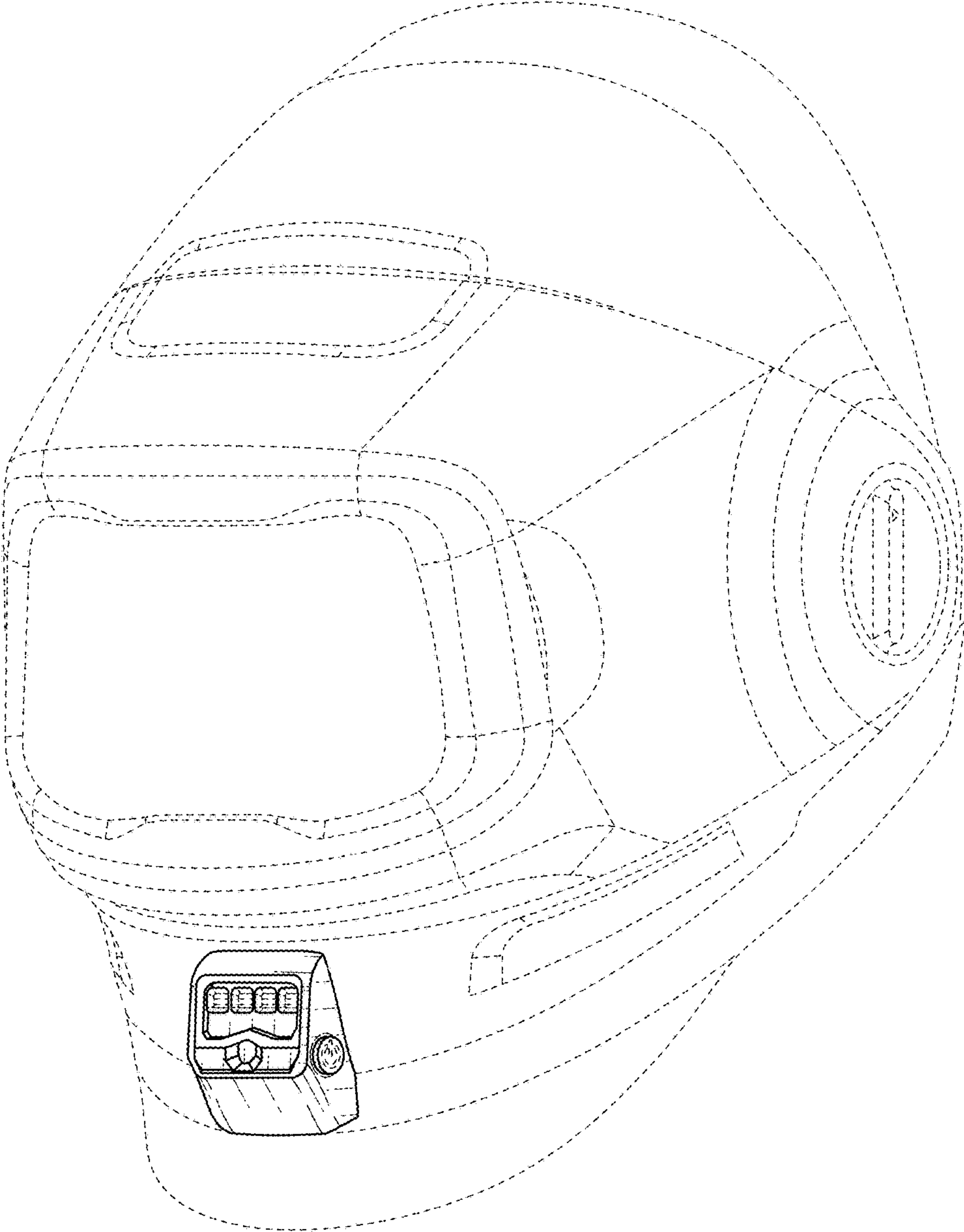


FIG. 1

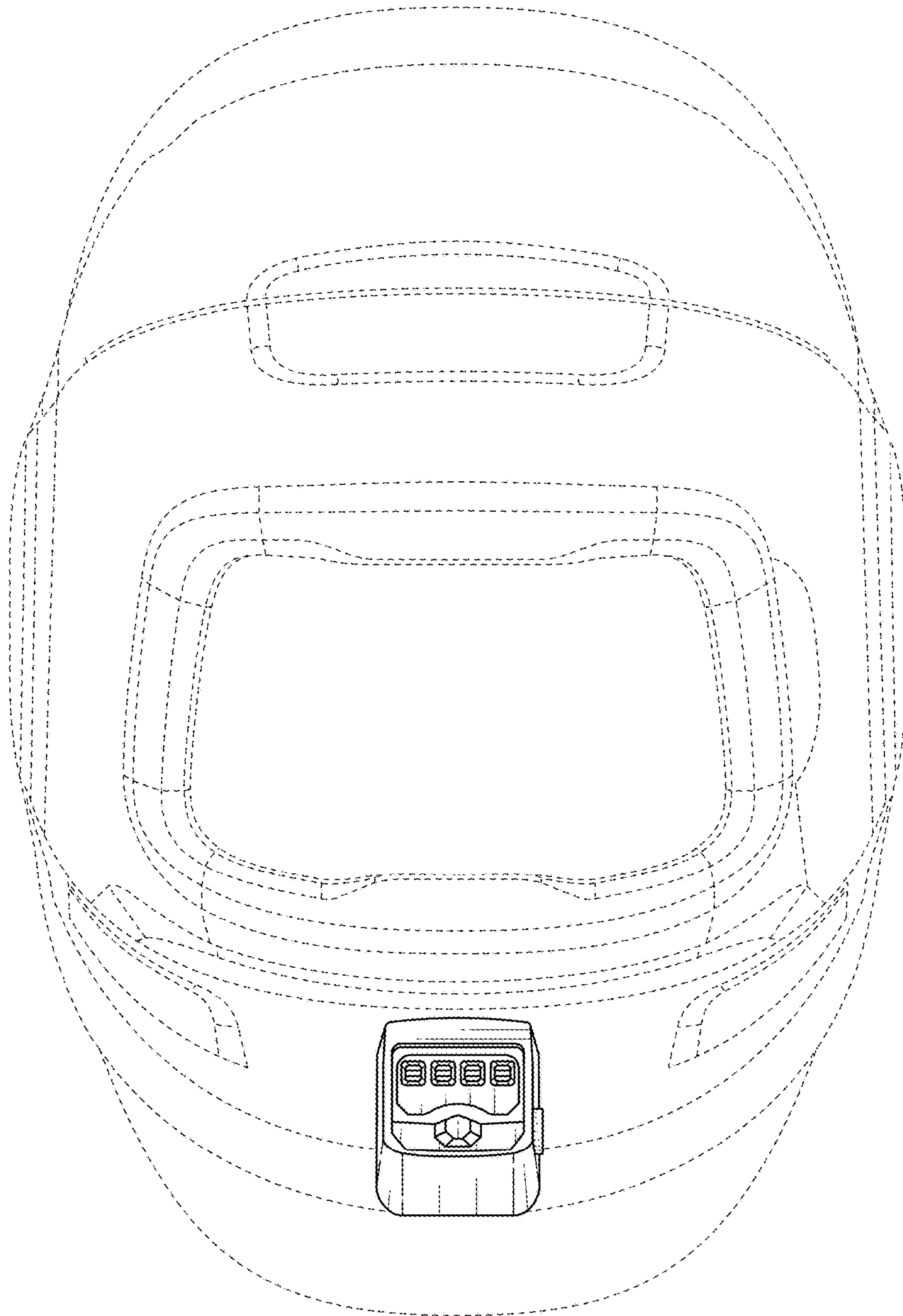


FIG. 2

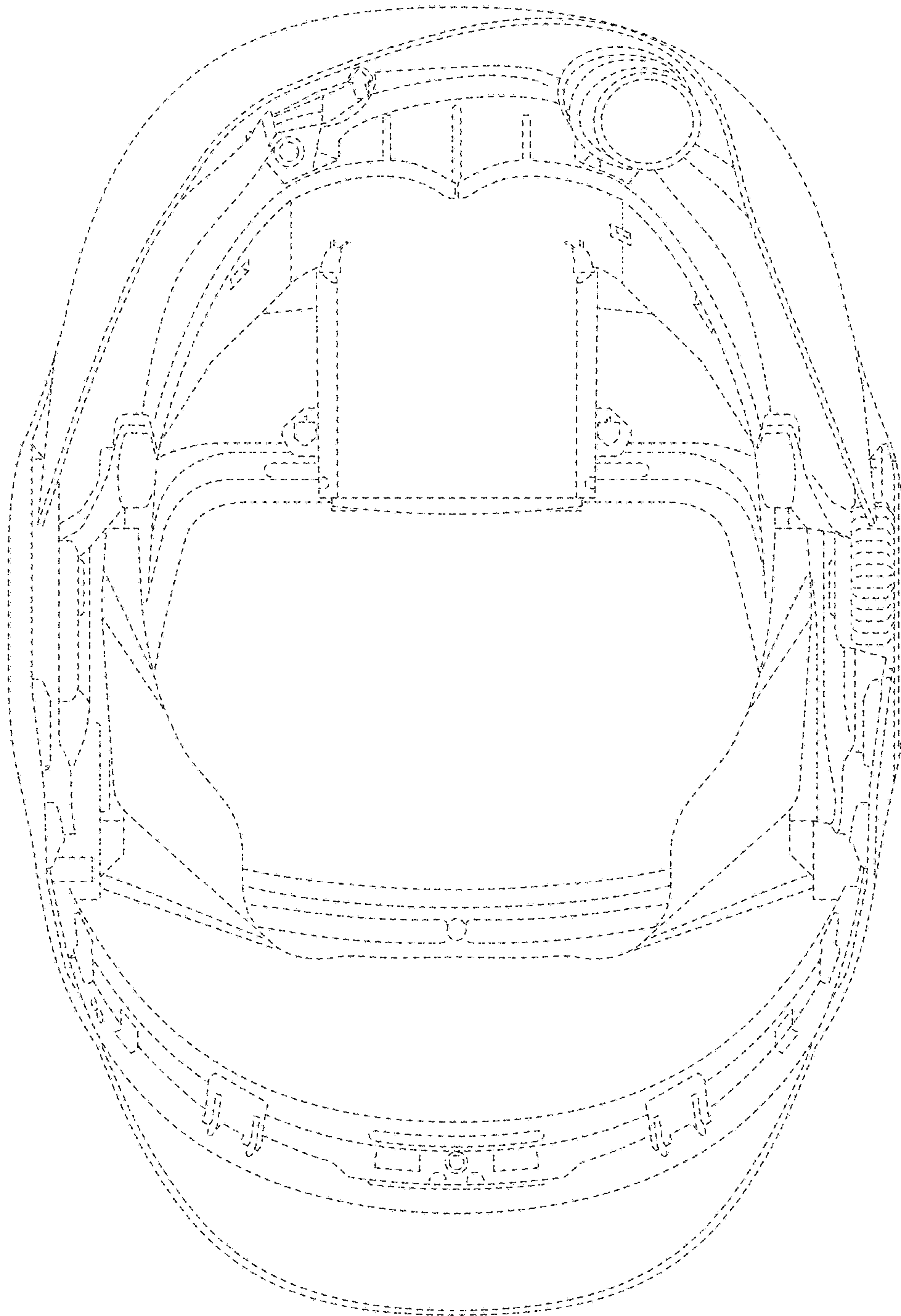


FIG. 3



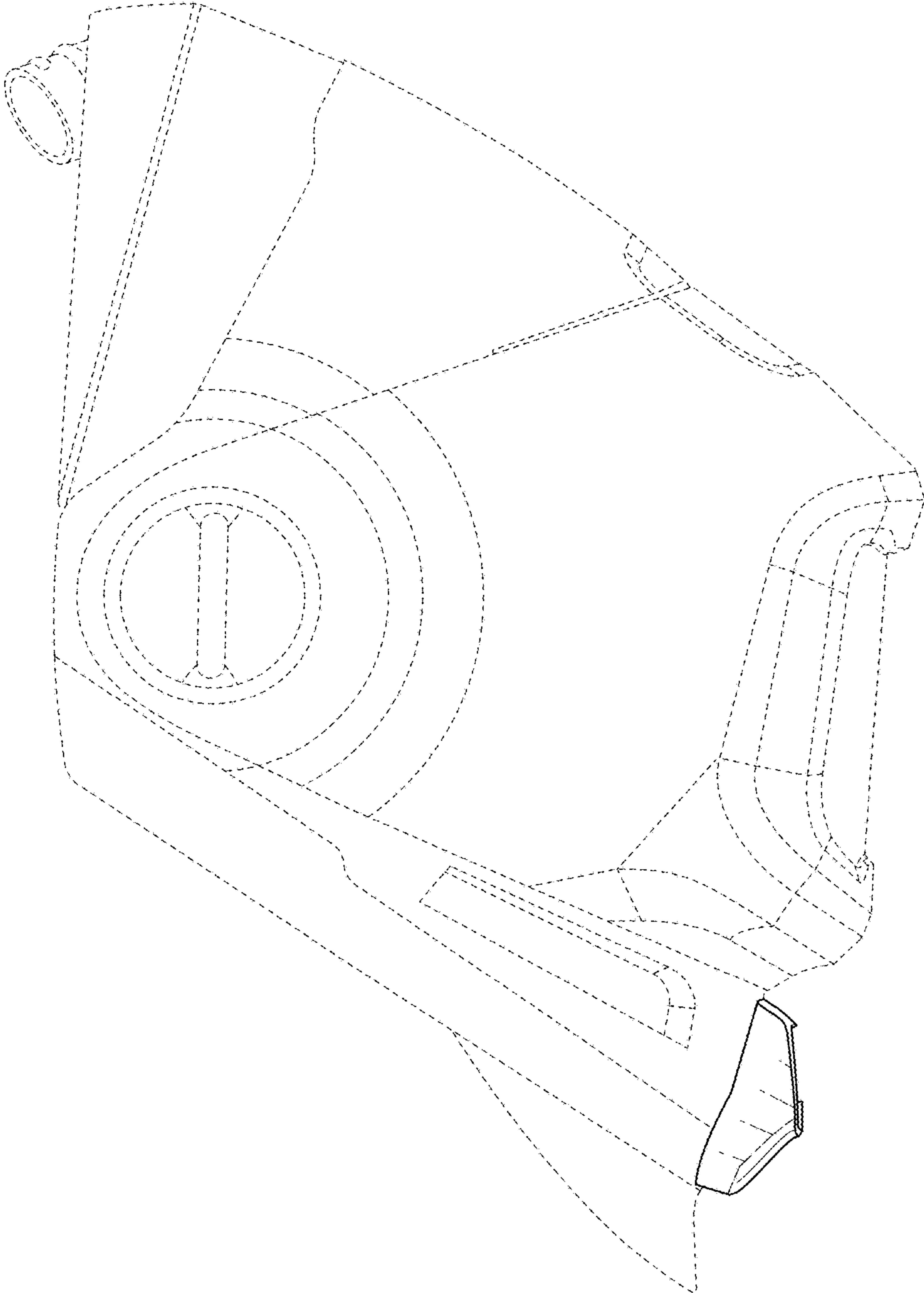


FIG. 4

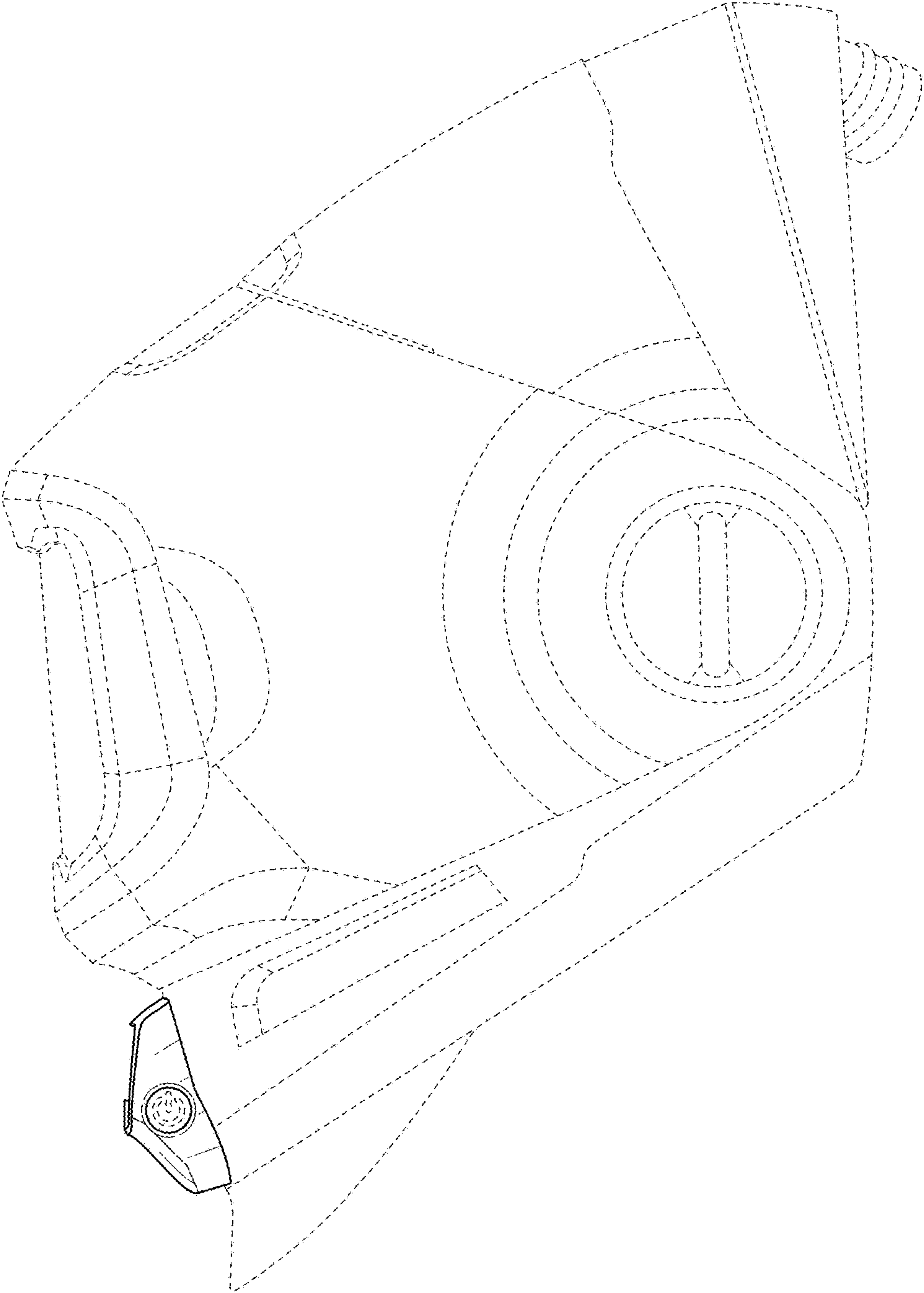


FIG. 5

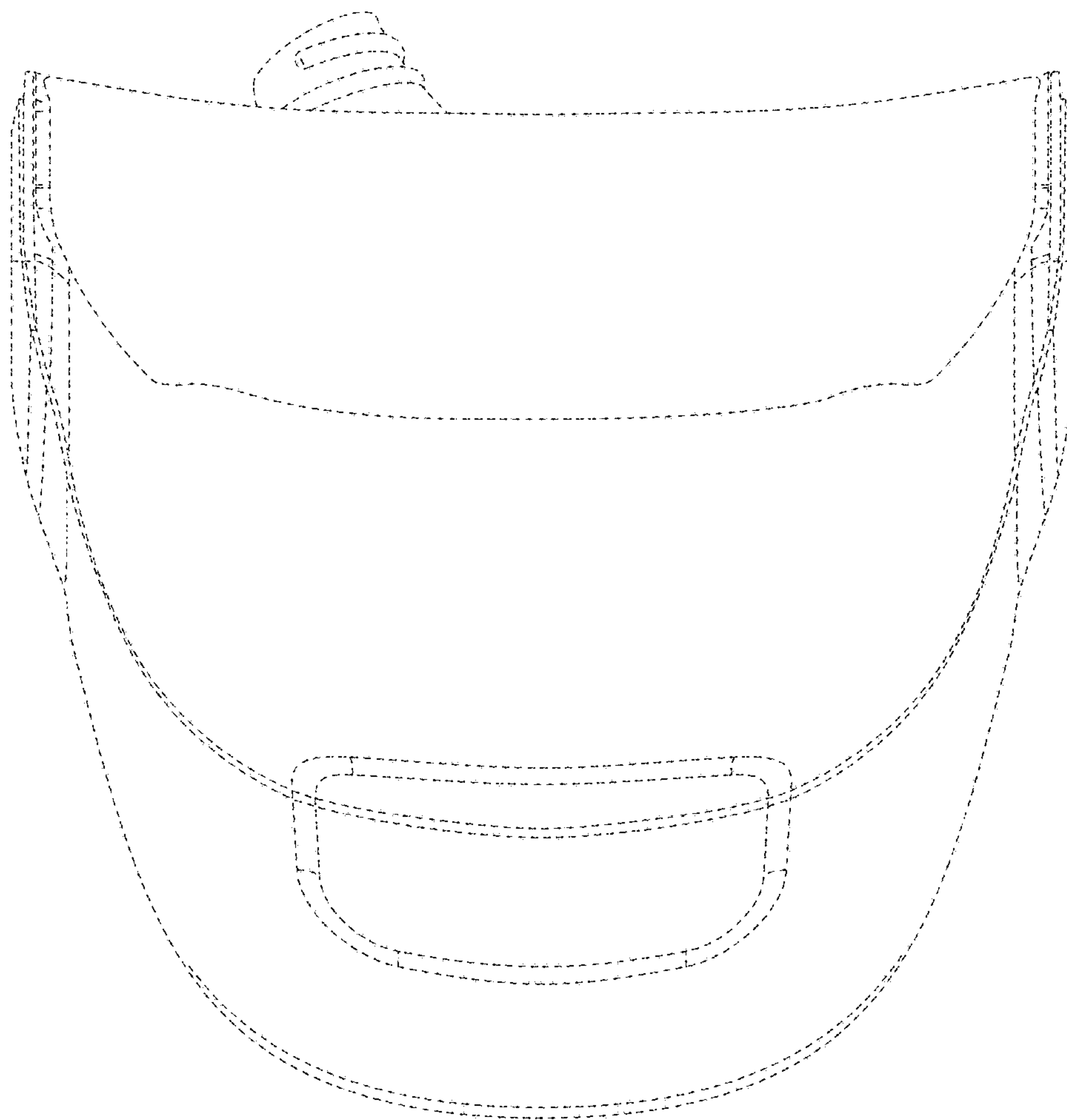


FIG. 6

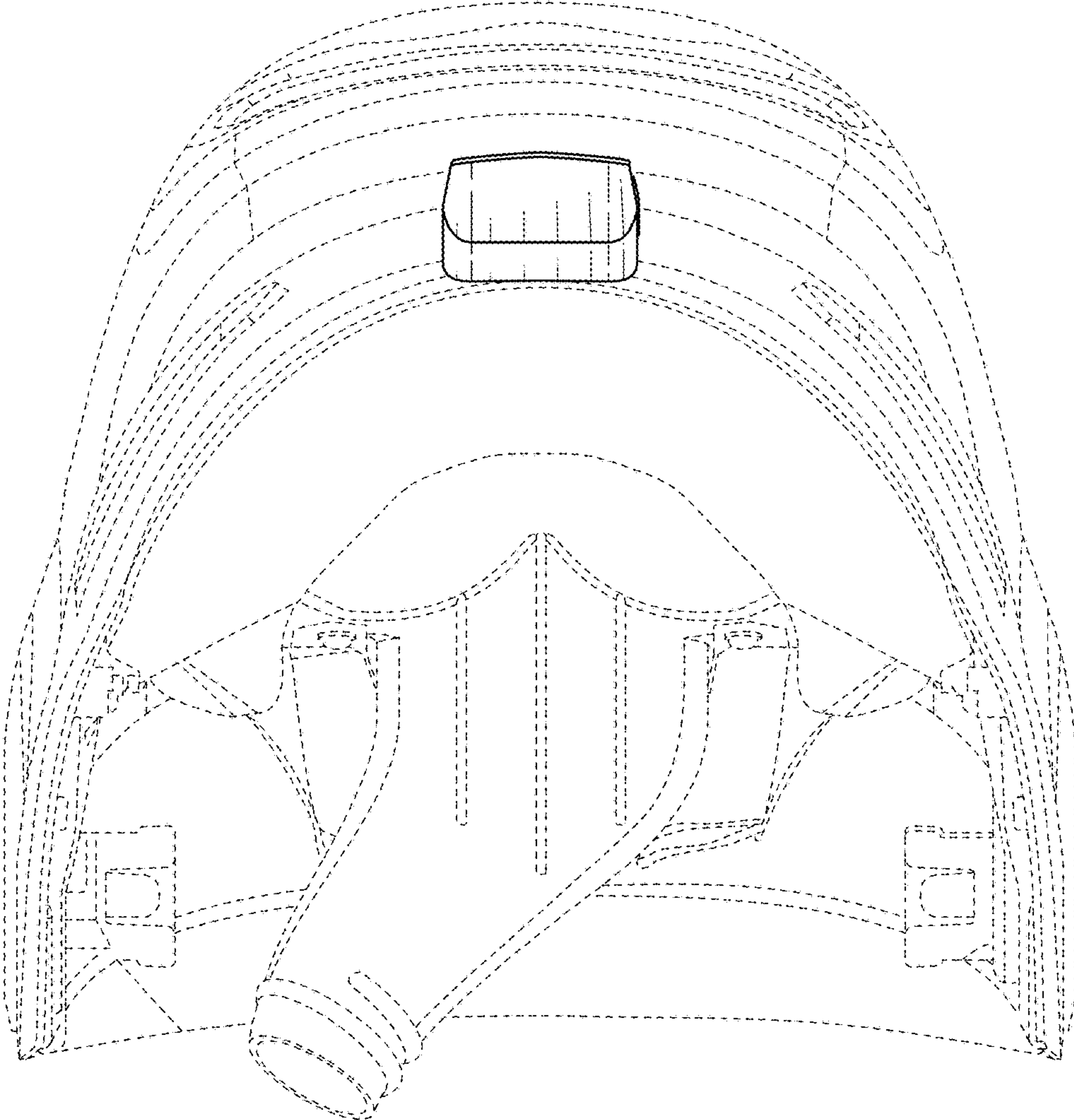


FIG. 7