



US00D834758S

(12) **United States Design Patent**
Potocki

(10) **Patent No.:** **US D834,758 S**

(45) **Date of Patent:** **** Nov. 27, 2018**

(54) **HELMET ATTACHMENTS**

(71) Applicant: **Pavao Potocki**, Zagreb (HR)

(72) Inventor: **Pavao Potocki**, Zagreb (HR)

(**) Term: **15 Years**

(21) Appl. No.: **29/622,017**

(22) Filed: **Oct. 13, 2017**

(51) **LOC (11) Cl.** **29-02**

(52) **U.S. Cl.**
USPC **D29/122**; D29/107

(58) **Field of Classification Search**
USPC D29/100, 102, 104, 105, 106, 107, 108,
D29/109, 110, 122
CPC .. A42B 1/066; A42B 1/00; A42B 1/06; A42B
3/228; A42B 3/00; A42B 3/08; A42B
3/32; A42B 3/222; A42B 3/20; A42B
3/227; A42B 3/105; A42B 3/04; A42B
3/06; A42B 3/0406; A42B 3/18; A42B
3/166; A42B 3/16; A42B 3/22; A42B
3/0473; A42B 3/127; A63B 71/10; A63B
71/105; A41D 13/0512
See application file for complete search history.

(56) **References Cited**

U.S. PATENT DOCUMENTS

6,784,795 B1 *	8/2004	Pories	A42B 3/0453 340/464
D581,600 S *	11/2008	George	D29/107
D602,645 S *	10/2009	Cardoso	D29/102
9,060,221 B1 *	6/2015	Kaplan	A42B 3/30
D745,219 S *	12/2015	Carter	D29/102

* cited by examiner

Primary Examiner — Randall H Gholson

(74) *Attorney, Agent, or Firm* — Eric Hanscom

(57) **CLAIM**

The ornamental design for helmet attachments, as shown and described.

DESCRIPTION

FIG. 1 is a perspective view of a set of helmet attachments showing my new design, showing how it appears on a helmet;

FIG. 2 is a right-side, perspective view thereof;

FIG. 3 is a front view thereof;

FIG. 4 is a left-side perspective view of the numerical element of the set of helmet attachments thereof;

FIG. 5 is a front view of the numerical element of the set of helmet attachments thereof;

FIG. 6 is a left-side view of the numerical element of the set of helmet attachments thereof;

FIG. 7 is a top view of the numerical element of the set of helmet attachments thereof;

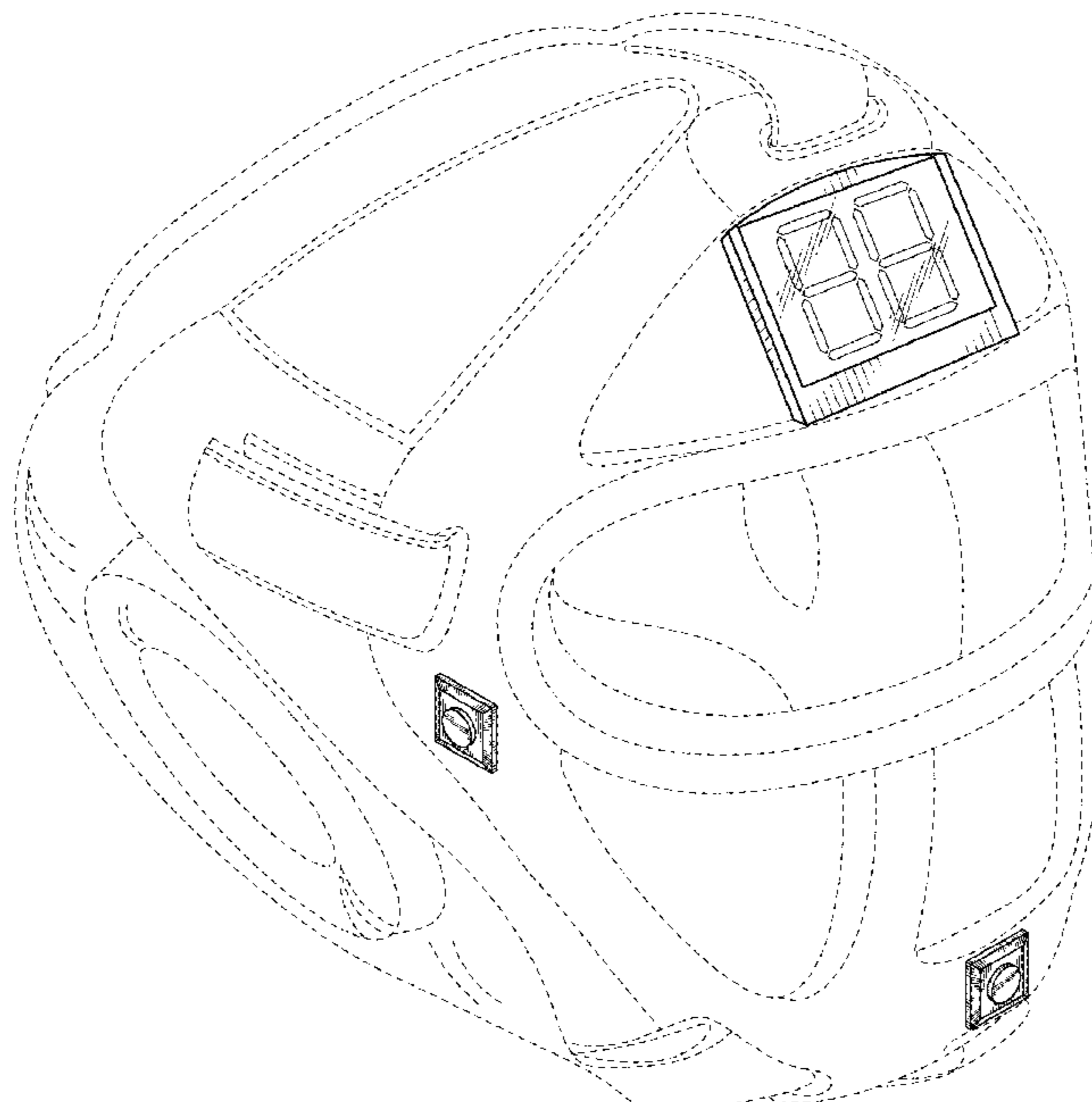
FIG. 8 is a left-side perspective view of the side element of the set of helmet attachments thereof;

FIG. 9 is a front view of the side element of the set of helmet attachments thereof; and,

FIG. 10 is a left-side view of the side element of the set of helmet attachments thereof.

The broken lines shown in the drawings are included for the purpose of illustrating environmental structure and form no part of the claimed design.

1 Claim, 5 Drawing Sheets



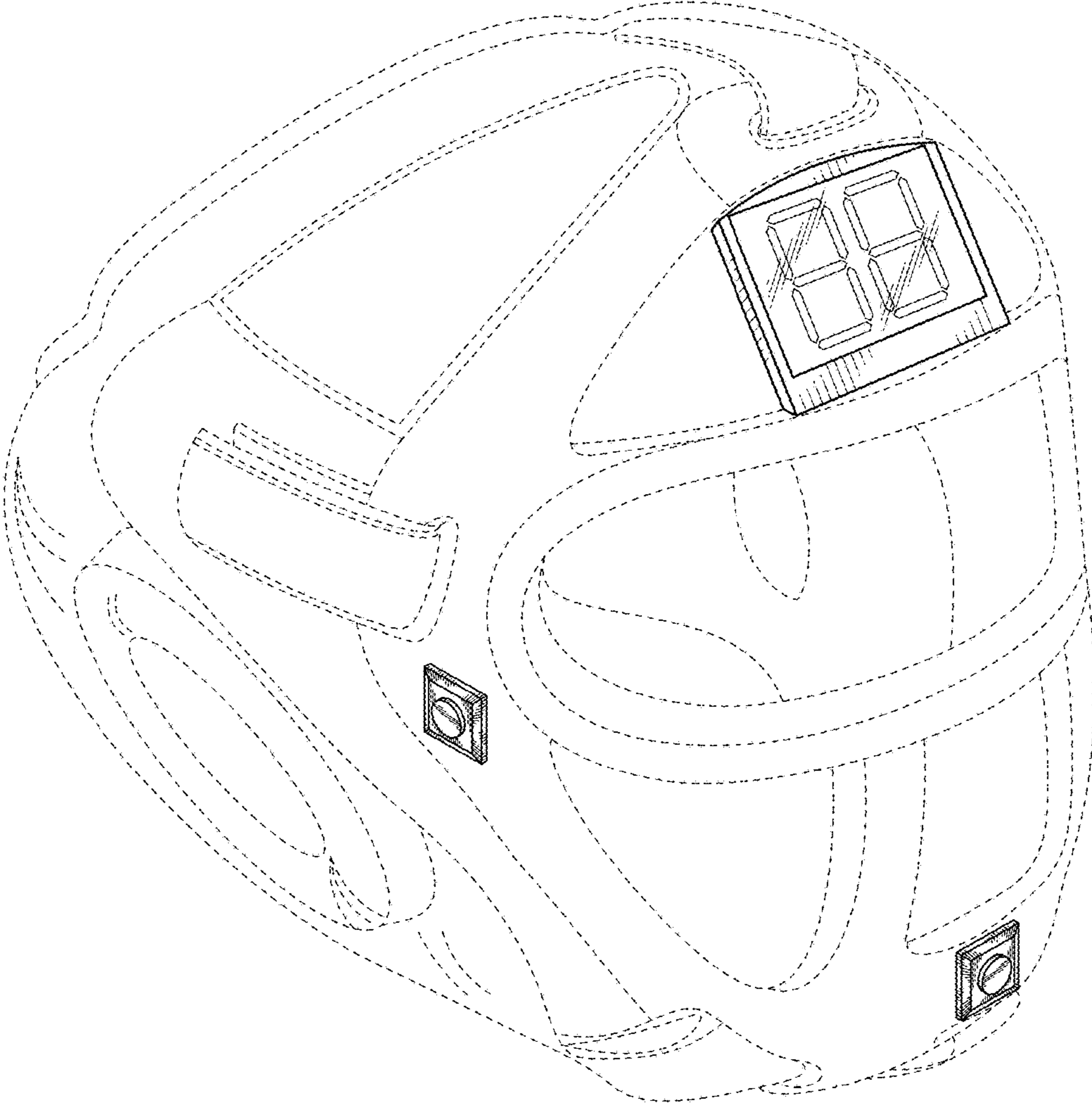


FIG. 1

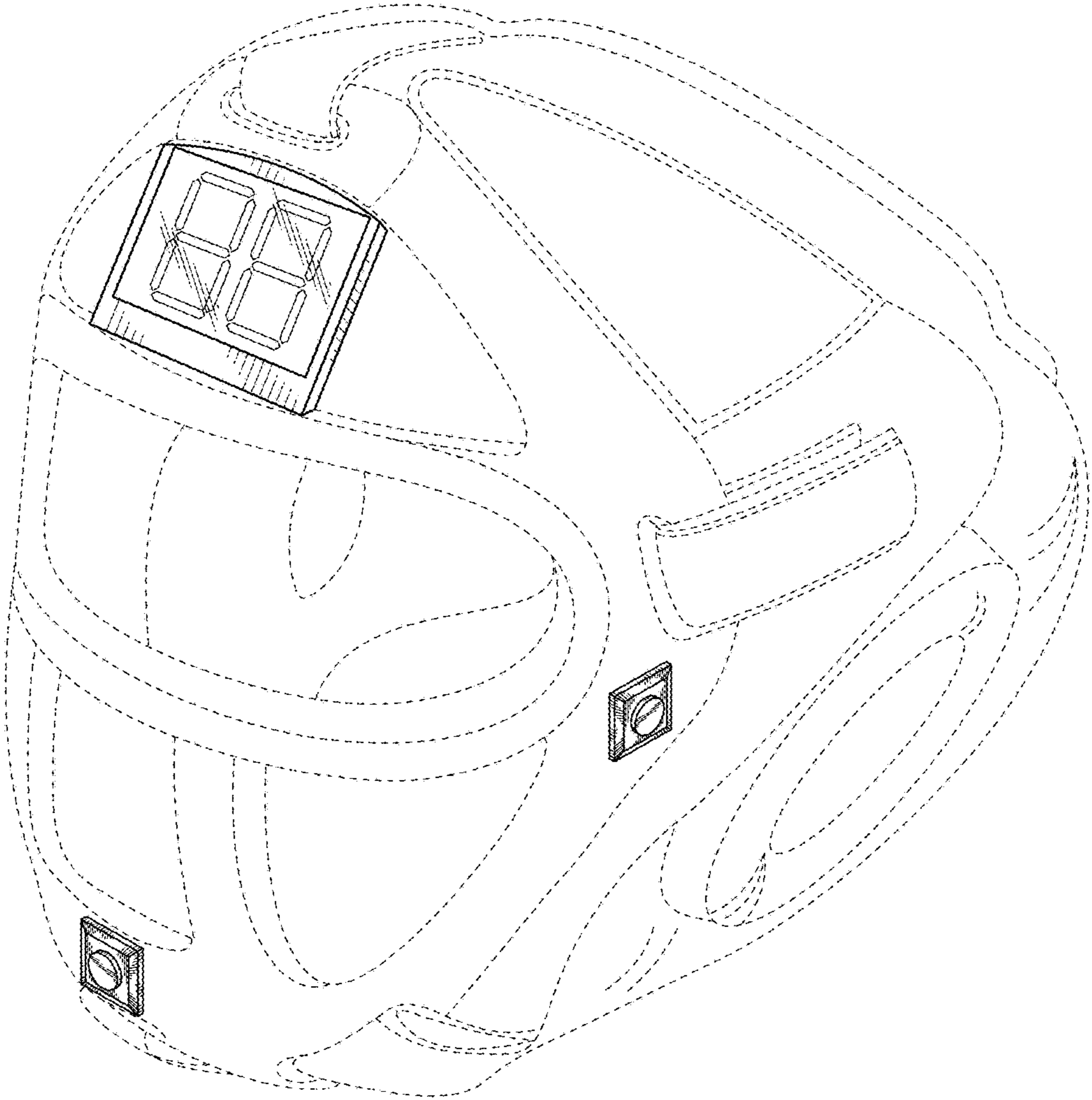


FIG. 2

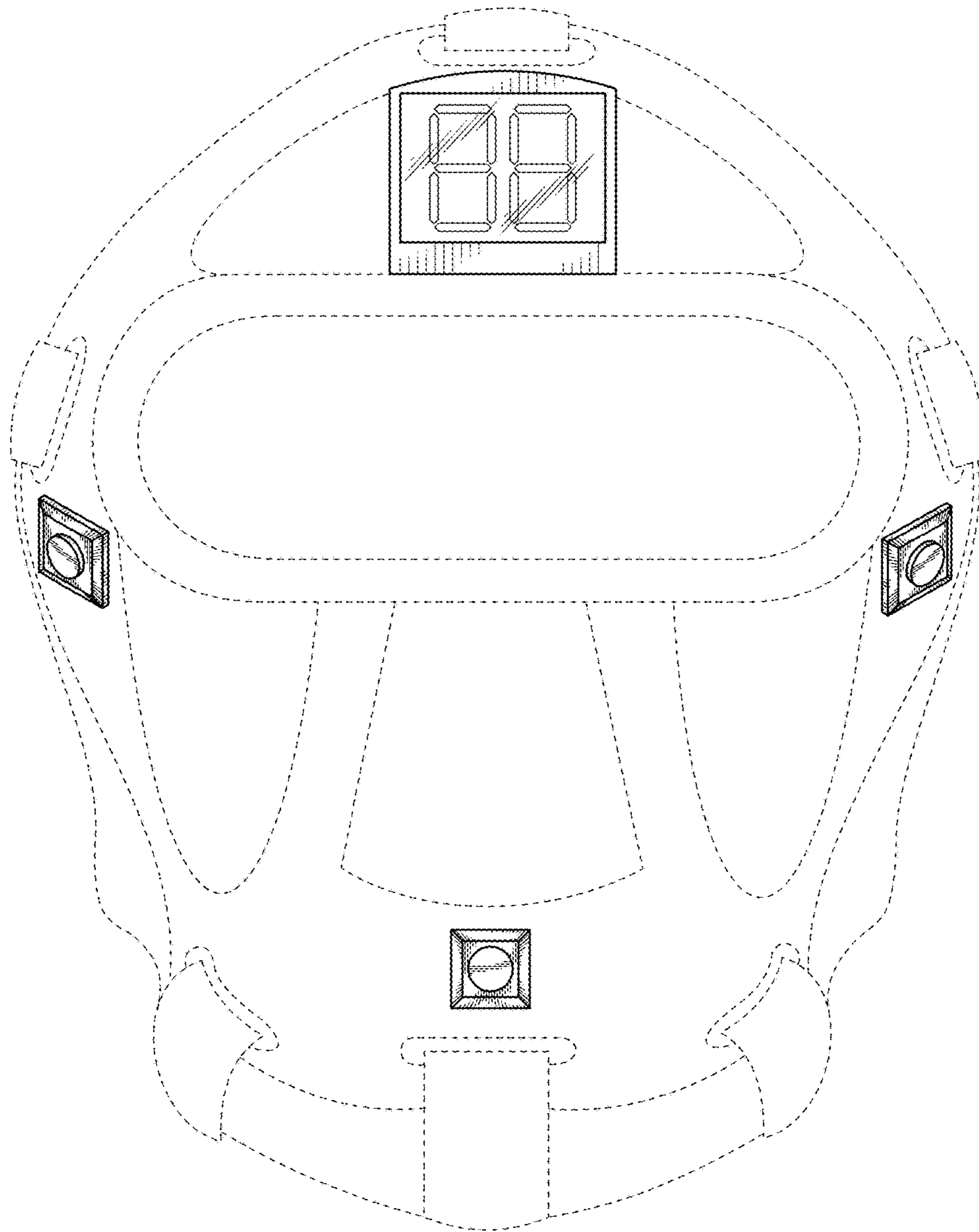


FIG. 3

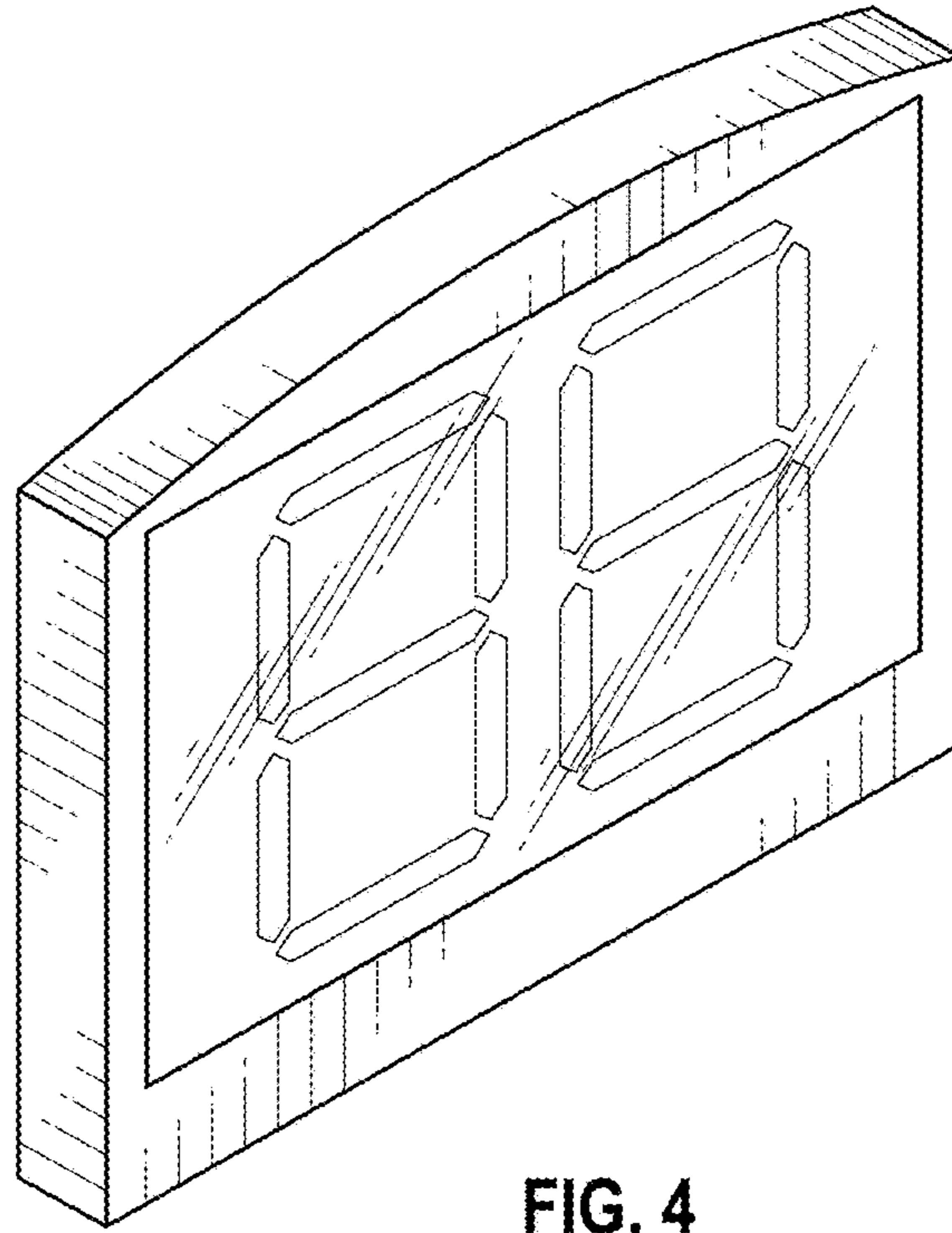


FIG. 4

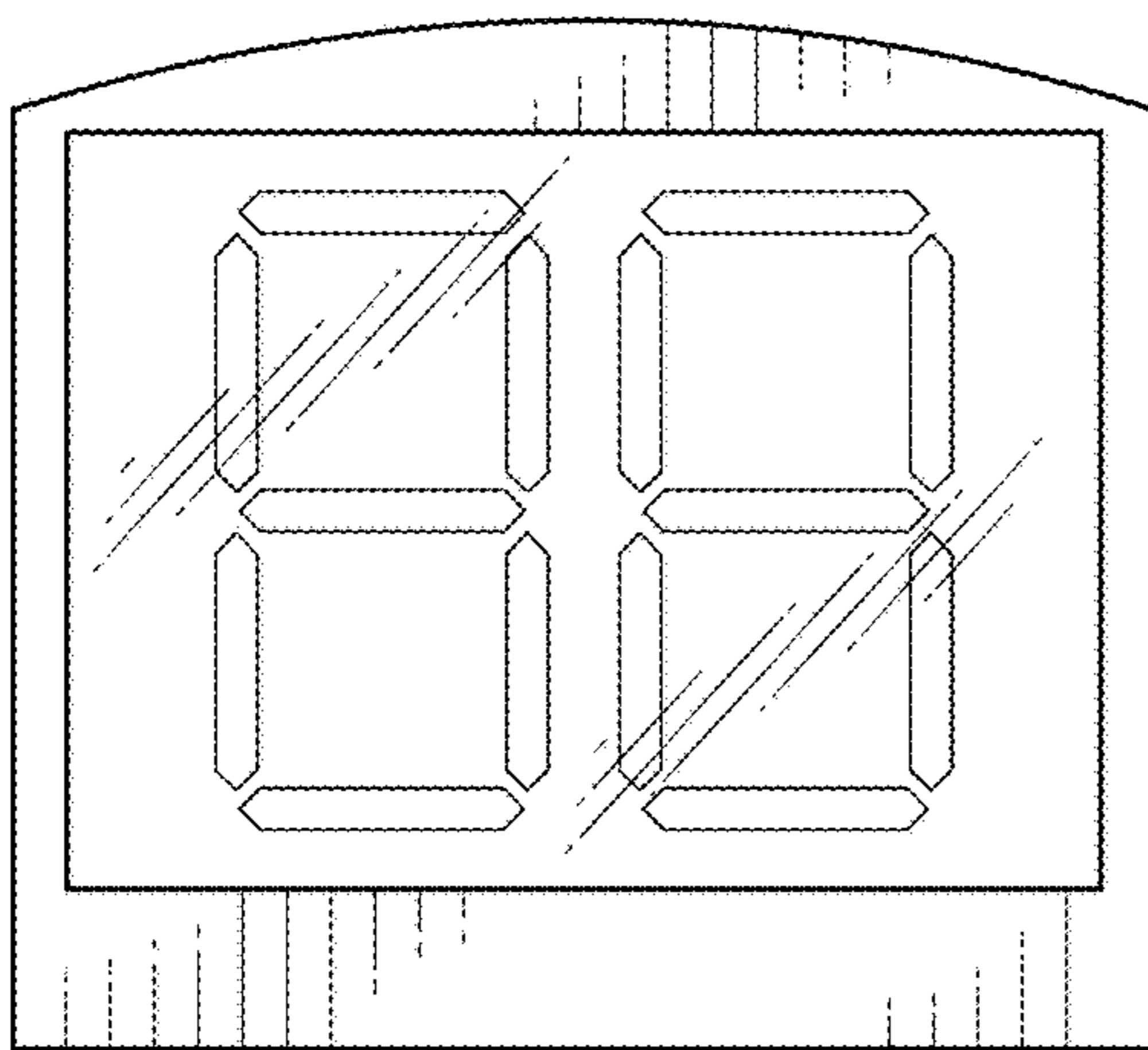


FIG. 5

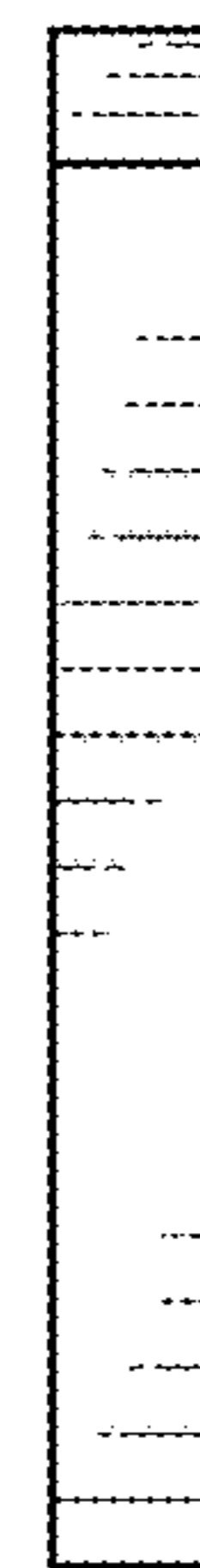


FIG. 6

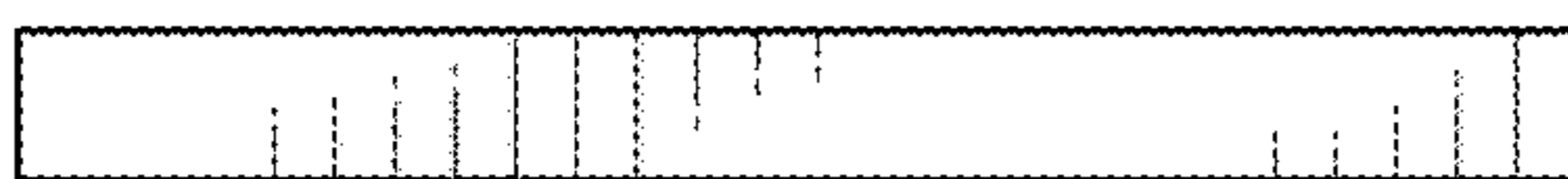


FIG. 7

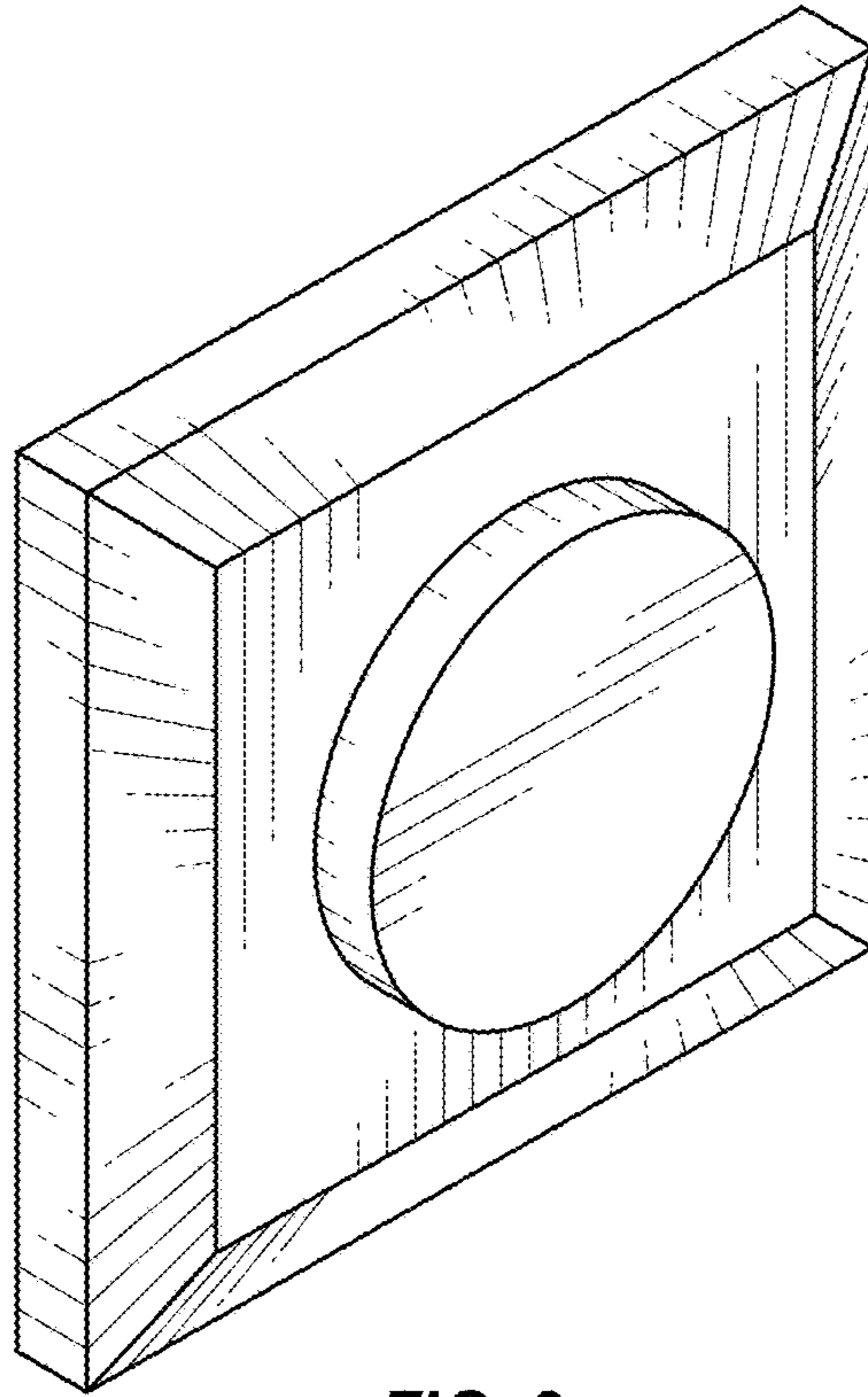


FIG. 8

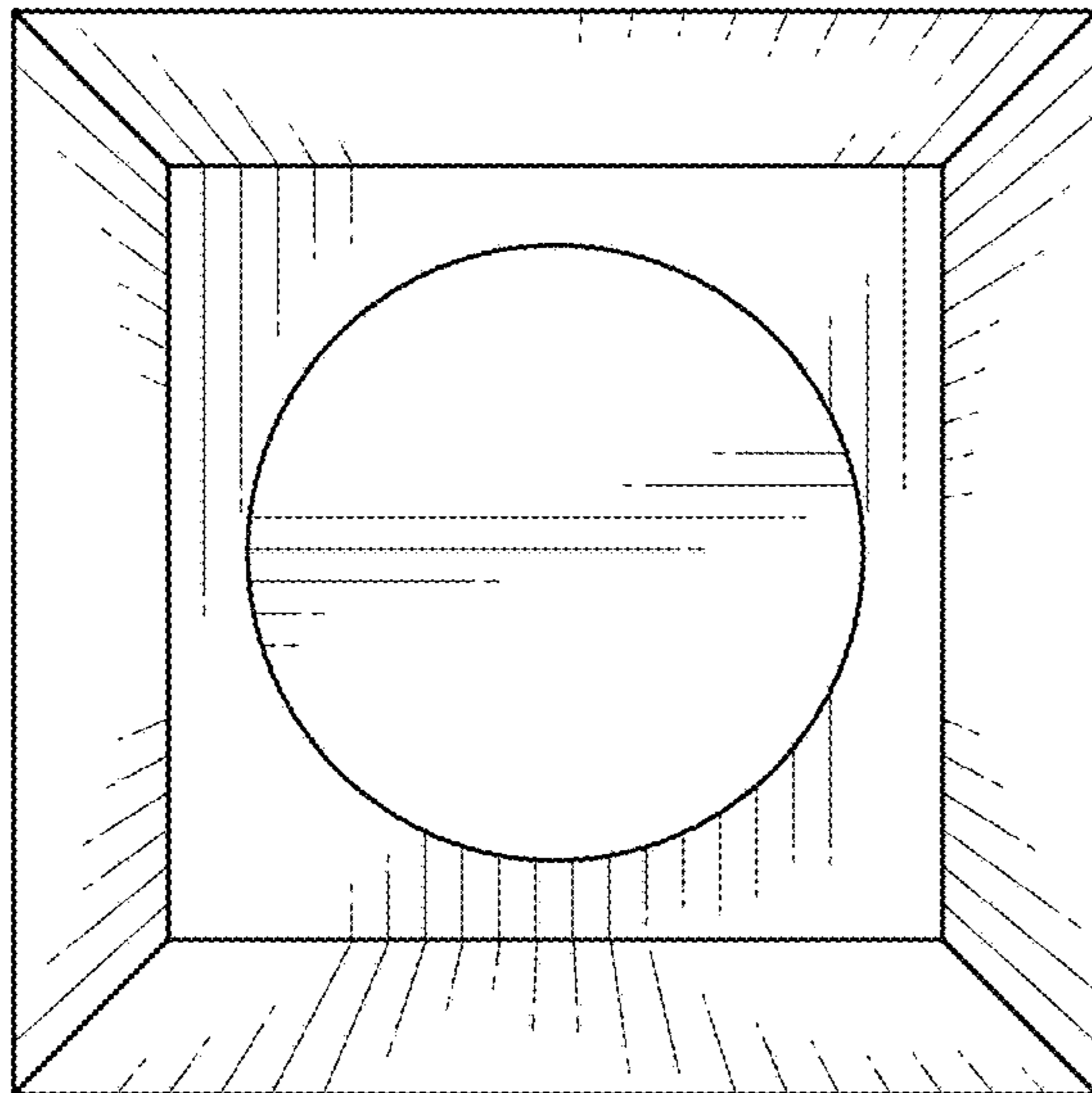


FIG. 9

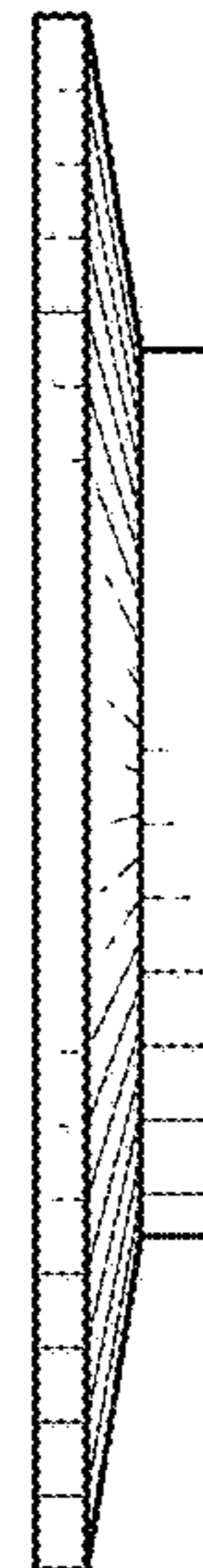


FIG. 10