



US00D834755S

(12) **United States Design Patent**
Schempp

(10) **Patent No.:** **US D834,755 S**

(45) **Date of Patent:** **** Nov. 27, 2018**

(54) **COMBINATION EYE MASK AND FACE COVER**

(71) Applicant: **Ali Schempp**, Walnut Creek, CA (US)

(72) Inventor: **Ali Schempp**, Walnut Creek, CA (US)

(**) Term: **15 Years**

(21) Appl. No.: **29/620,922**

(22) Filed: **Aug. 21, 2017**

(51) **LOC (11) Cl.** **29-02**

(52) **U.S. Cl.**
USPC **D29/110**

(58) **Field of Classification Search**
USPC D29/108–110, 102–107, 122; D16/101,
D16/300, 900; D21/659–661
See application file for complete search history.

(56) **References Cited**

U.S. PATENT DOCUMENTS

- 4,901,374 A * 2/1990 Van der Woude A61F 9/025
2/431
- 5,206,956 A * 5/1993 Olson A61F 9/02
128/857

- 5,765,223 A * 6/1998 McCausland A61F 9/02
2/426
- D404,849 S * 1/1999 Desy D29/110
- 7,725,949 B2 * 6/2010 Landis A61F 9/022
2/206
- D681,283 S * 4/2013 Wang Lee D29/110
- D730,430 S * 5/2015 Tanguy D16/312
- D784,441 S * 4/2017 Garfias D16/312
- D818,030 S * 5/2018 Hanudel D16/312

* cited by examiner

Primary Examiner — Robert A Delehanty

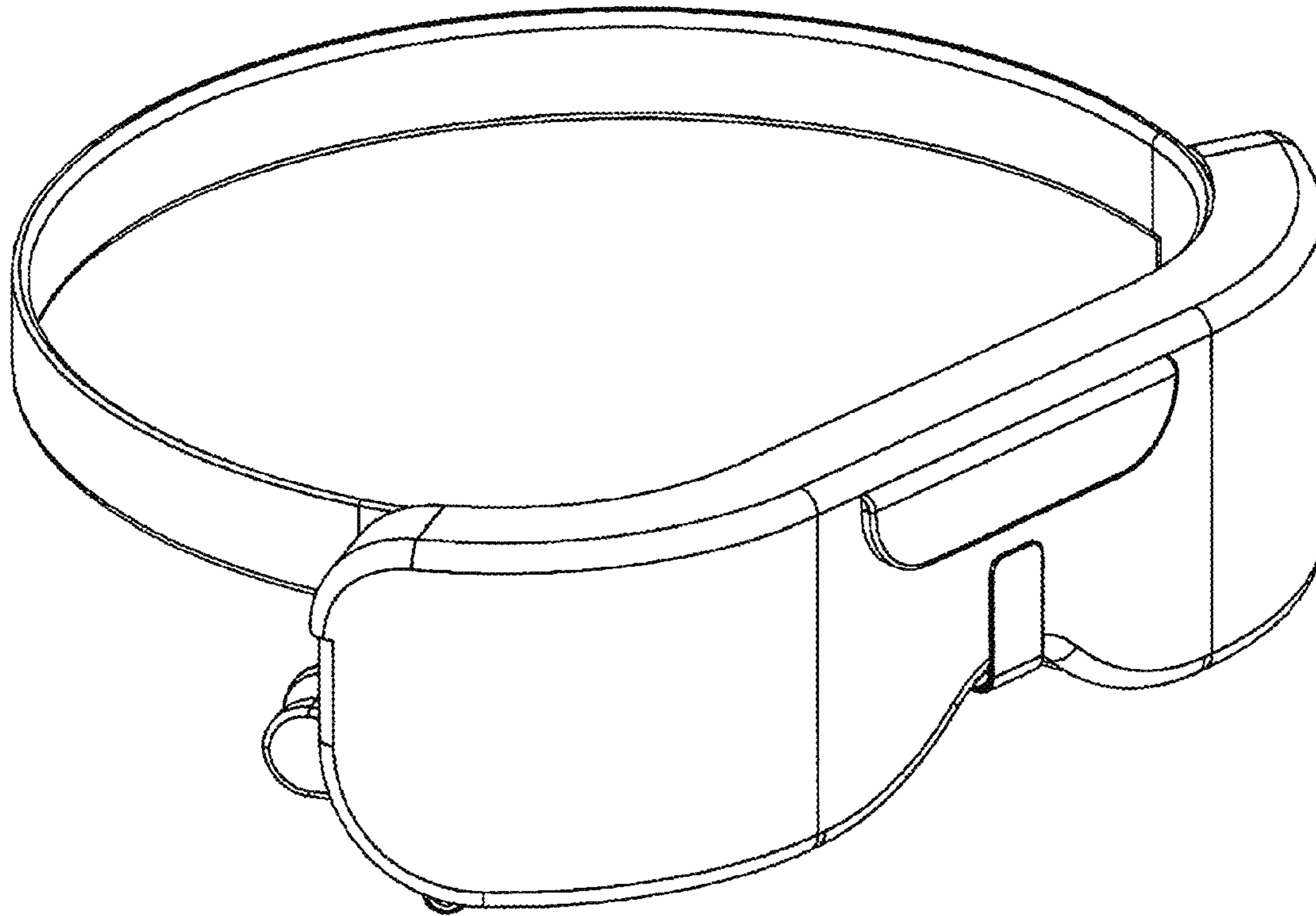
(57) **CLAIM**

The ornamental design for a combination eye mask and face cover.

DESCRIPTION

FIG. 1 is a perspective view of the combination eye mask and face cover with the face cover in the stored position. FIG. 2 is a perspective view of the combination eye mask and face cover with the face cover in the deployed position. FIG. 3 is a front view of the combination eye mask and face cover with the face cover in the stored position. FIG. 4 is a front view of the combination eye mask and face cover with the face cover in the deployed position. FIG. 5 is a top view of the combination eye mask and face cover; and, FIG. 6 is a bottom view of the combination and face cover.

1 Claim, 6 Drawing Sheets



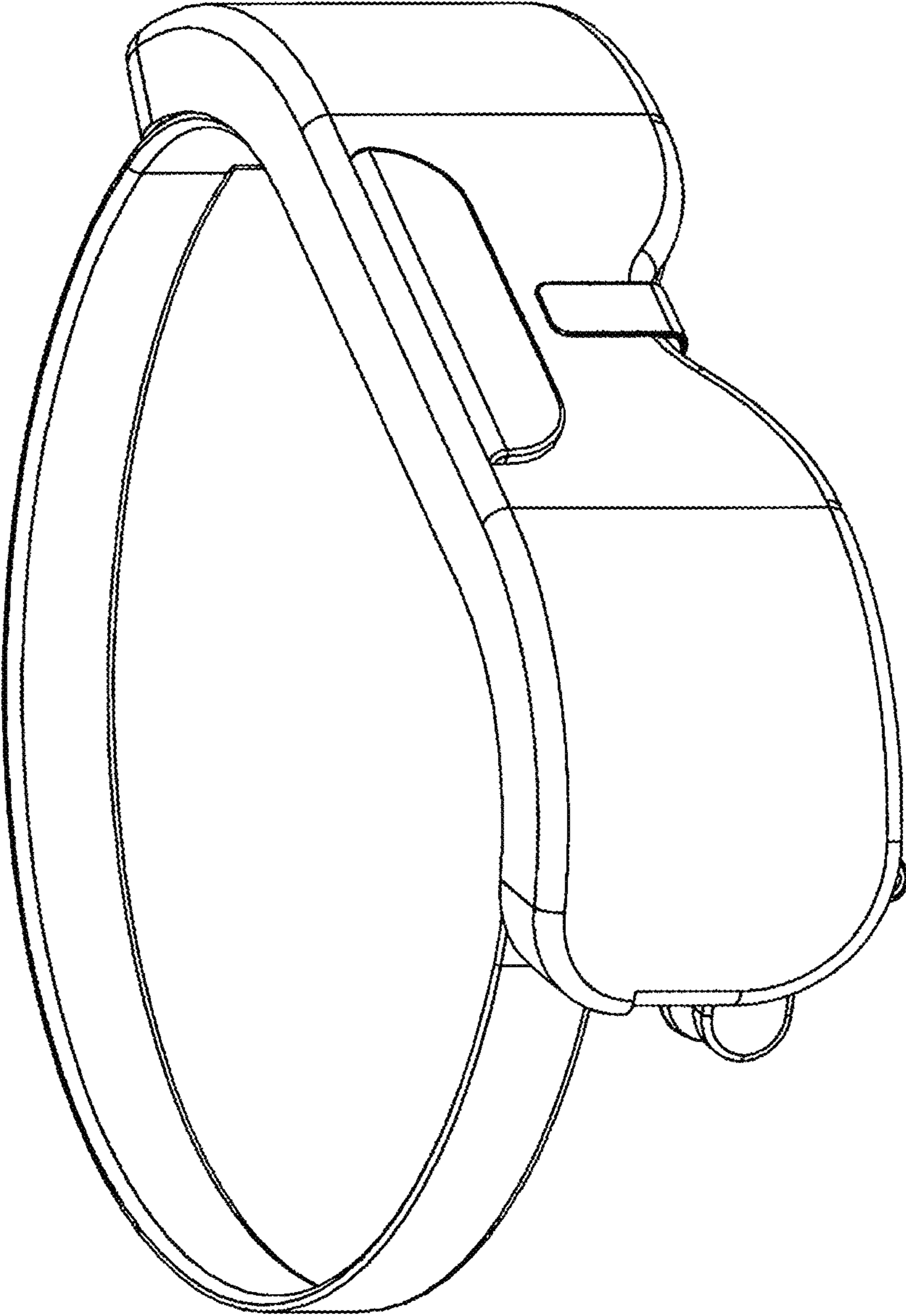


FIG. 1

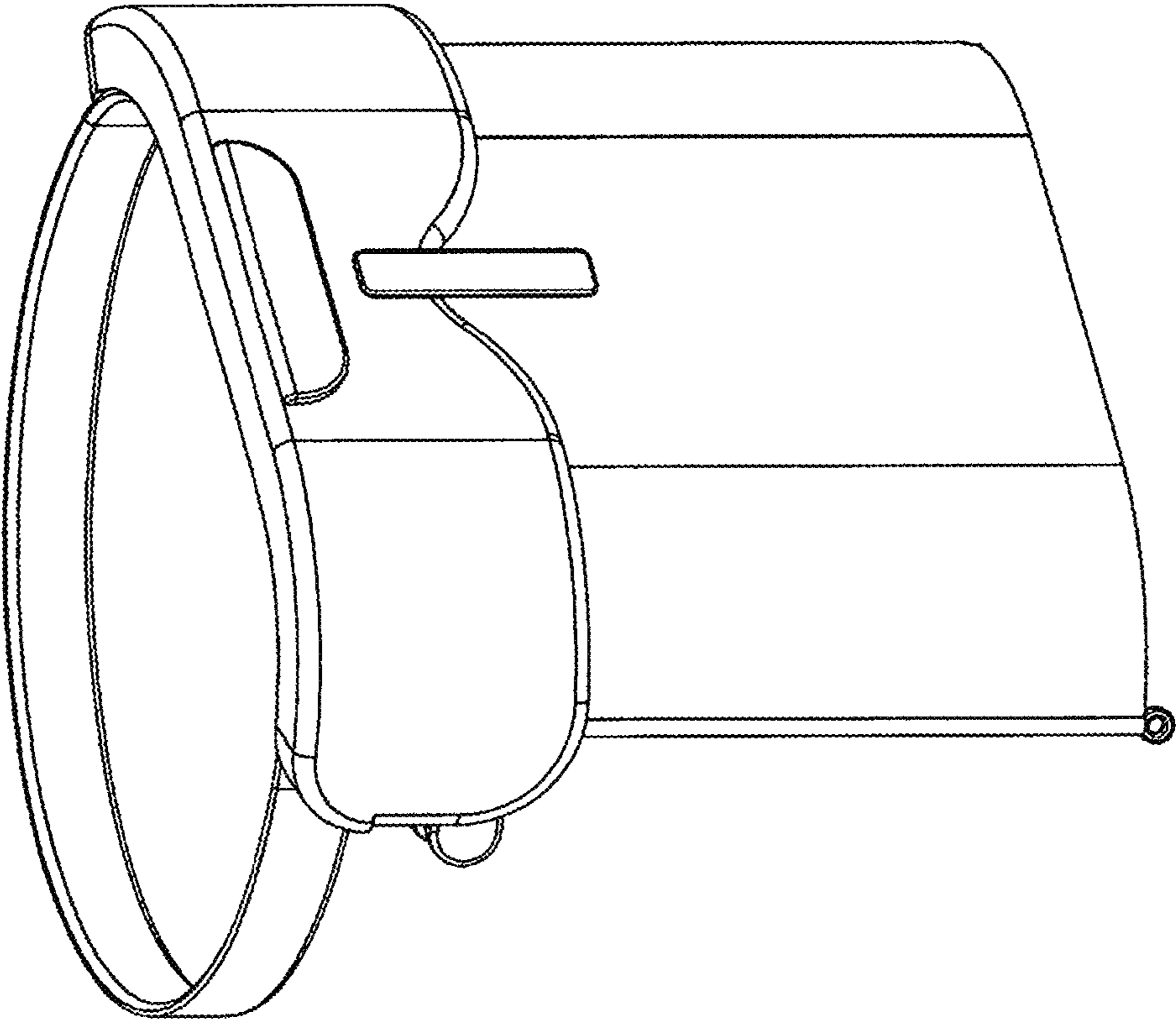


FIG. 2

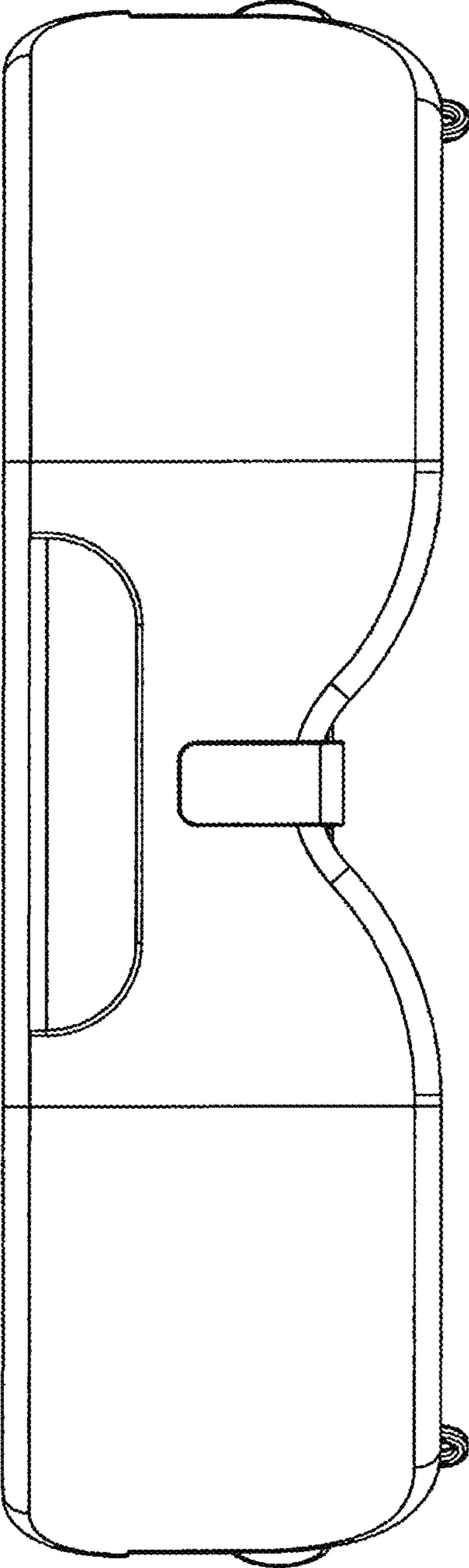


FIG. 3

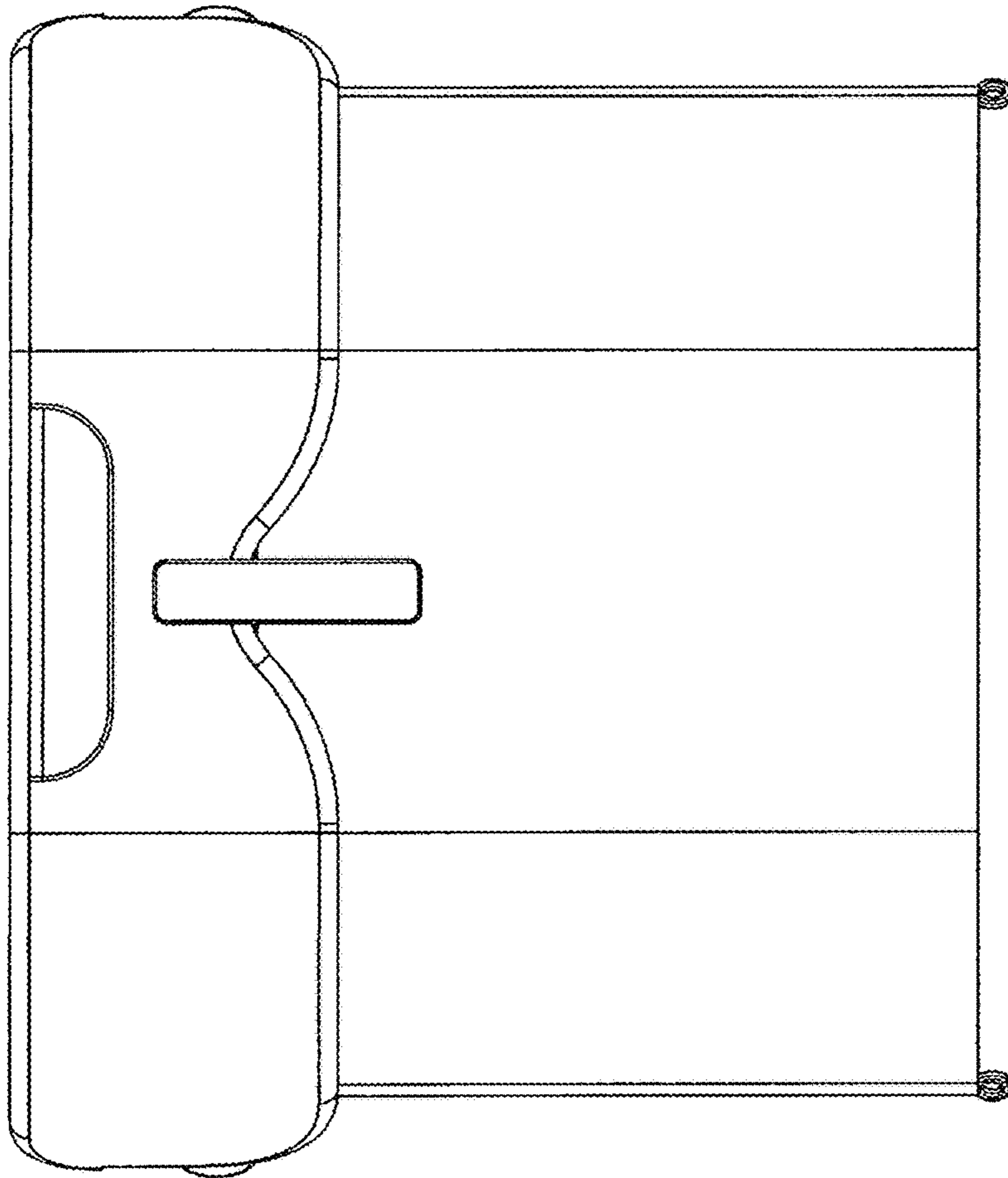


FIG. 4

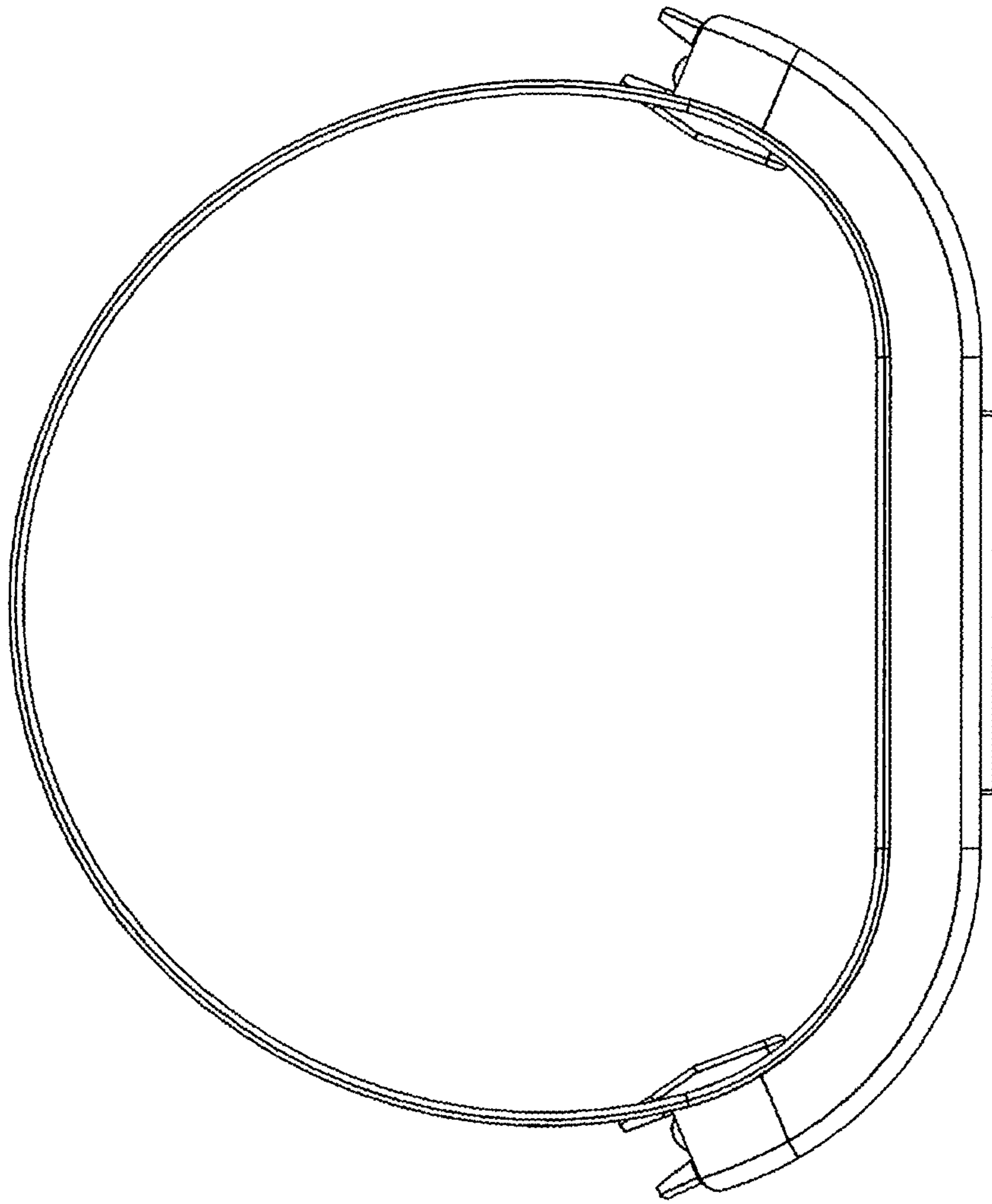


FIG. 5

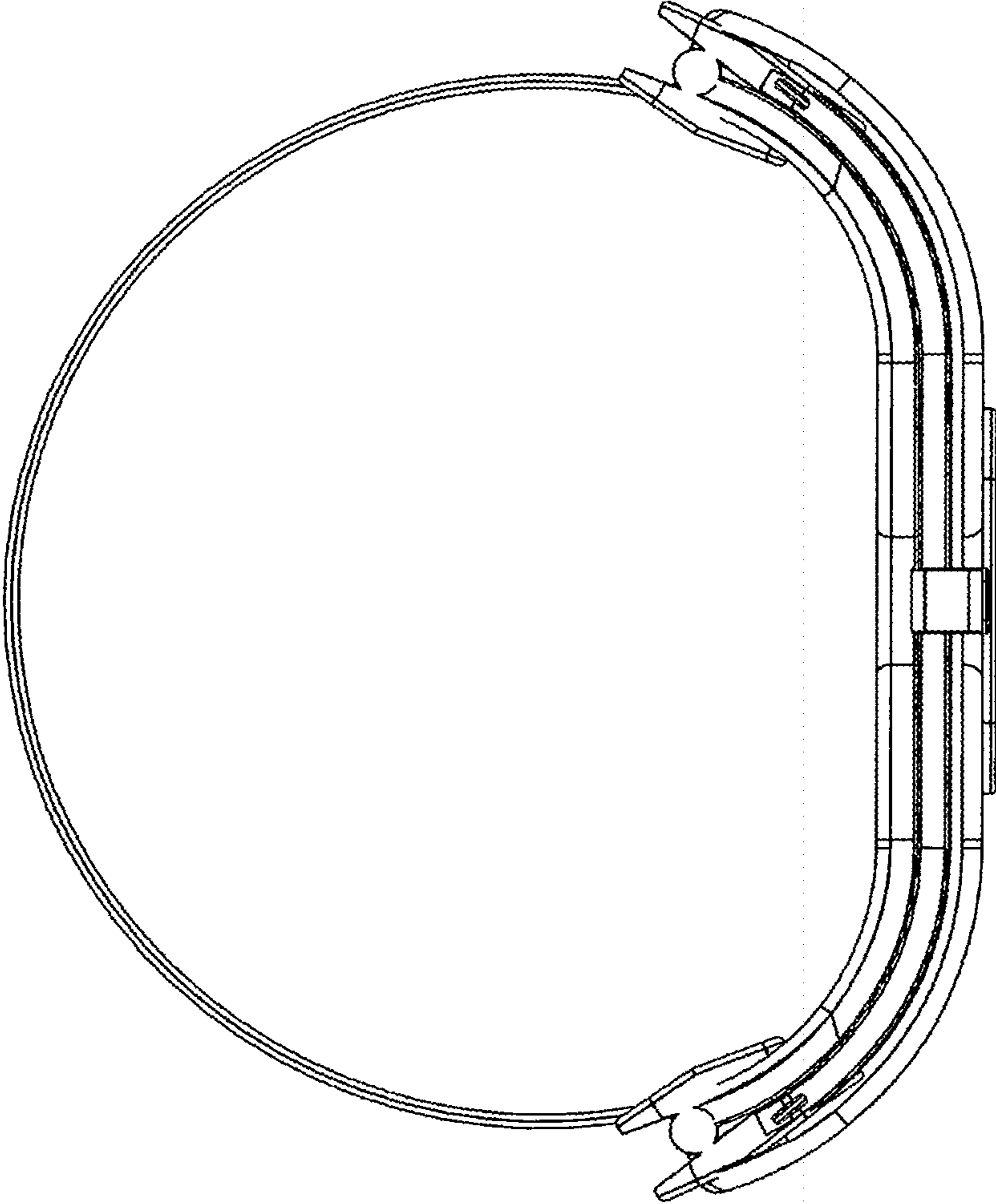


FIG. 6