



US00D834752S

(12) **United States Design Patent** (10) **Patent No.:** **US D834,752 S**
Angles-D'Auriac (45) **Date of Patent:** **** Nov. 27, 2018**

(54) **MASCARA CONTAINER**
(71) Applicant: **SEPHORA**, Boulogne Billancourt (FR)
(72) Inventor: **Elizabeth Angles-D'Auriac**, Boulogne Billancourt (FR)
(73) Assignee: **SEPHORA**, Boulogne Billancourt (FR)
(**) Term: **15 Years**

(21) Appl. No.: **29/590,007**
(22) Filed: **Jan. 6, 2017**

(30) **Foreign Application Priority Data**

Jul. 7, 2016 (EM) 003299031-0001
(51) **LOC (11) Cl.** **28-03**
(52) **U.S. Cl.**
USPC **D28/76**
(58) **Field of Classification Search**
USPC D28/7, 76-77, 85; 132/216, 218, 318,
132/320; D3/205, 901; 206/581, 823;
D9/723-724, 727, 692-693, 690;
215/382-383
CPC A45D 40/00; A45D 2040/0012; A45D
2040/0025; A45D 2040/0037; A45D
2040/0043; A45D 2040/005; A45D
2040/0056; A45D 40/04; A45D 40/02;
A45D 40/023; A45D 40/06; A45D
40/065; A45D 34/06; A45D 40/205;
A45D 40/207; A45D 40/208; A45D
34/00; A45D 34/042; A45D 34/043;
A45D 34/045; A45D 34/046; A45D
34/047; A45D 34/048; A45D 2034/002;
A45D 2034/005; A45D 2034/007; A45D
34/02; A45D 34/04; A45D 34/041
See application file for complete search history.

(56) **References Cited**

U.S. PATENT DOCUMENTS

2,964,045 A * 12/1960 Otto A45D 40/265
132/317
5,937,870 A * 8/1999 Gueret A46B 9/021
132/218

D416,355 S * 11/1999 Lerolle D28/7
D431,455 S * 10/2000 Mansau D19/164
D439,705 S * 3/2001 Lerolle D28/76
(Continued)

FOREIGN PATENT DOCUMENTS

CN 301114287 * 1/2010
CN 301636177 * 4/2011
KR 300534295.0000 * 7/2009

OTHER PUBLICATIONS

Maybelline mascara, posted at brightdarling.com, published Mar. 2, 2016 by Steffanie © not listed, online, site visited Dec. 18, 2017. Available from Internet, URL: <https://brighterdarling.com/maybelline-lash-sensational-vs-luscious/>.*

Primary Examiner — Shannon W Morgan
Assistant Examiner — Altaira J Swangin
(74) *Attorney, Agent, or Firm* — King & Spalding LLP

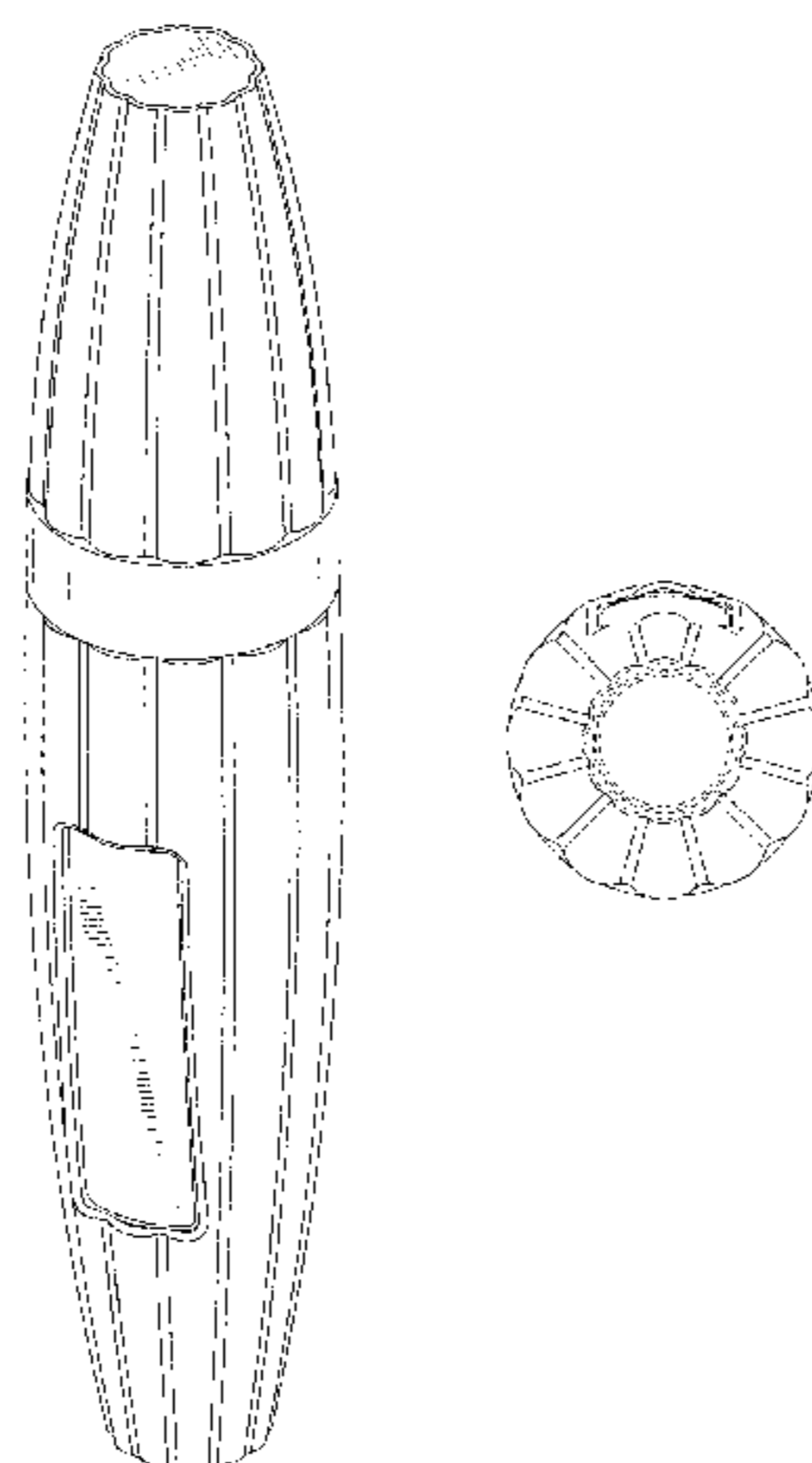
(57) **CLAIM**

The ornamental design for a mascara container, as shown and described.

DESCRIPTION

FIG. 1 is a perspective view of a mascara container showing my new design;
FIG. 2 is a front elevation view thereof;
FIG. 3 is a back elevation view thereof;
FIG. 4 is a right side elevation view thereof;
FIG. 5 is a left side elevation view thereof;
FIG. 6 is a top plan view thereof; and,
FIG. 7 is a bottom plan view thereof.
The broken lines shown in the figures depict portions of the mascara container that form no part of the claimed design.

1 Claim, 4 Drawing Sheets



(56)

References Cited

U.S. PATENT DOCUMENTS

D440,015	S *	4/2001	Lerolle	D28/76
D468,057	S *	12/2002	Cloix	D28/76
D469,805	S *	2/2003	Liu	D19/166
D517,243	S *	3/2006	Martinez	D28/76
D524,488	S *	7/2006	Bouix	D28/76
D535,441	S *	1/2007	Maddy	D28/76
D564,706	S *	3/2008	Kadlubowski	D28/76
8,100,260	B1 *	1/2012	Weckerle	A45D 40/065 206/385
D658,507	S *	5/2012	McCoy	D9/723
D661,202	S *	6/2012	McCoy	D9/723
D735,946	S *	8/2015	Ko	D28/76
D739,084	S *	9/2015	Hall	D28/76
D743,101	S *	11/2015	Pires	D28/76
D767,209	S *	9/2016	Medioni	D28/76
D770,096	S *	10/2016	Medioni	D28/76
D771,317	S *	11/2016	Pires	D28/76
D801,584	S *	10/2017	Hasegawa	D28/76
9,924,776	B2 *	3/2018	Schlatter	A45D 33/02
9,993,059	B2 *	6/2018	Langdon	A45D 34/041
2014/0096787	A1 *	4/2014	Kim	A46B 5/0091 132/218

* cited by examiner

FIG. 1

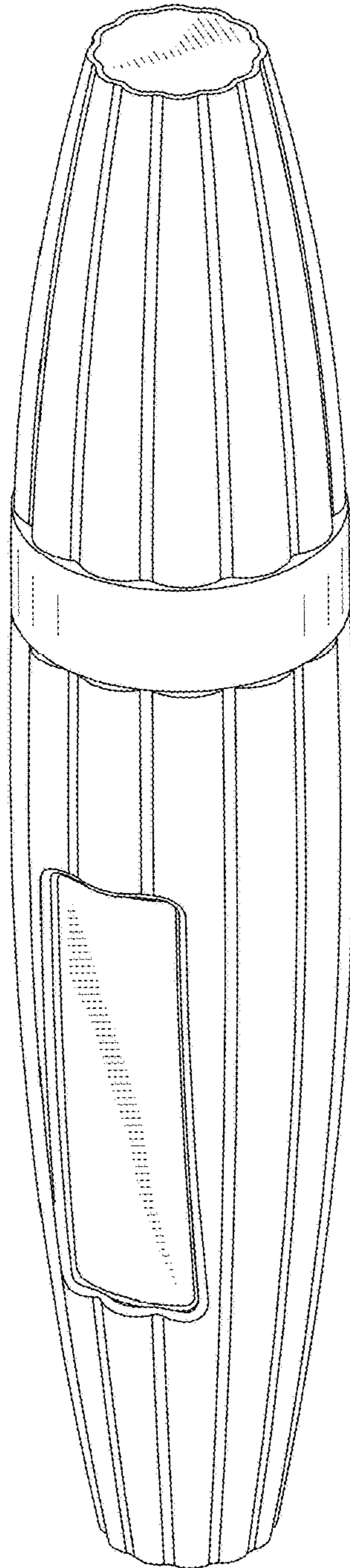


FIG. 2

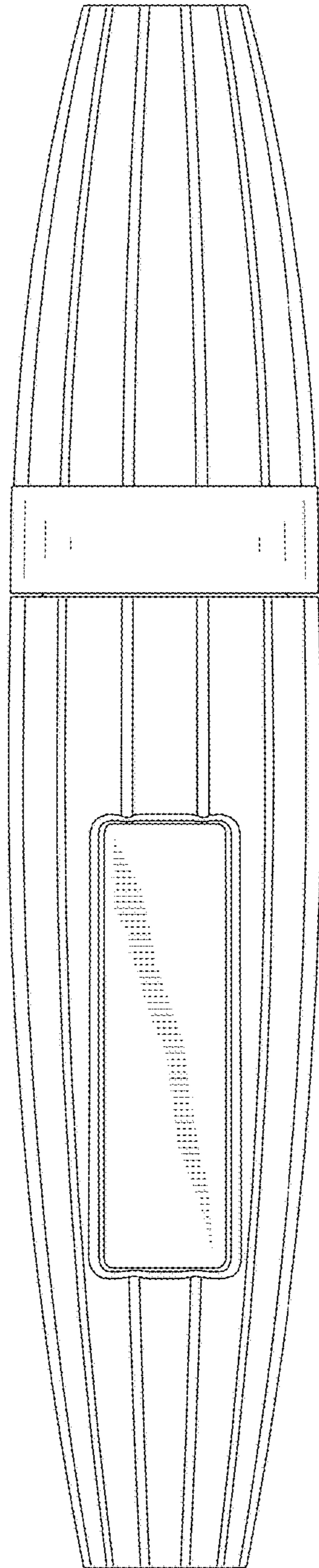


FIG. 3

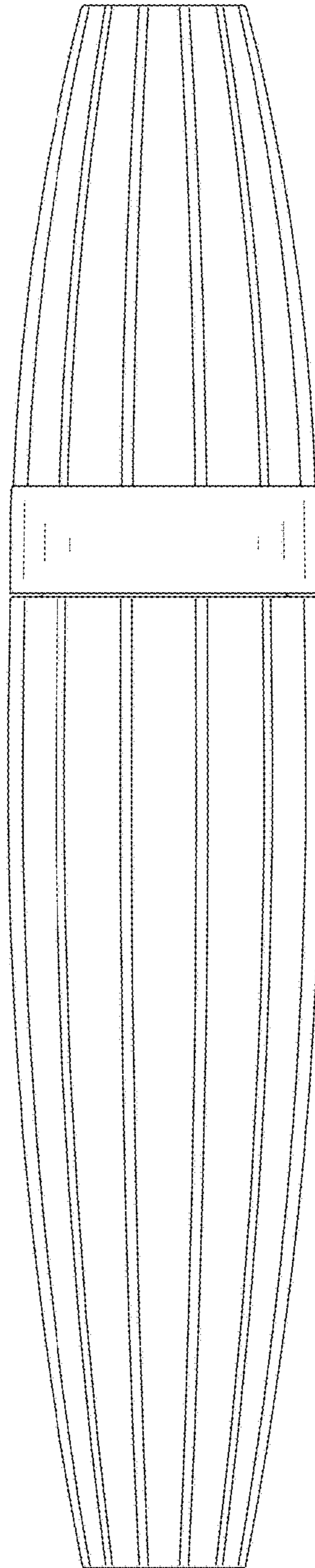


FIG. 4

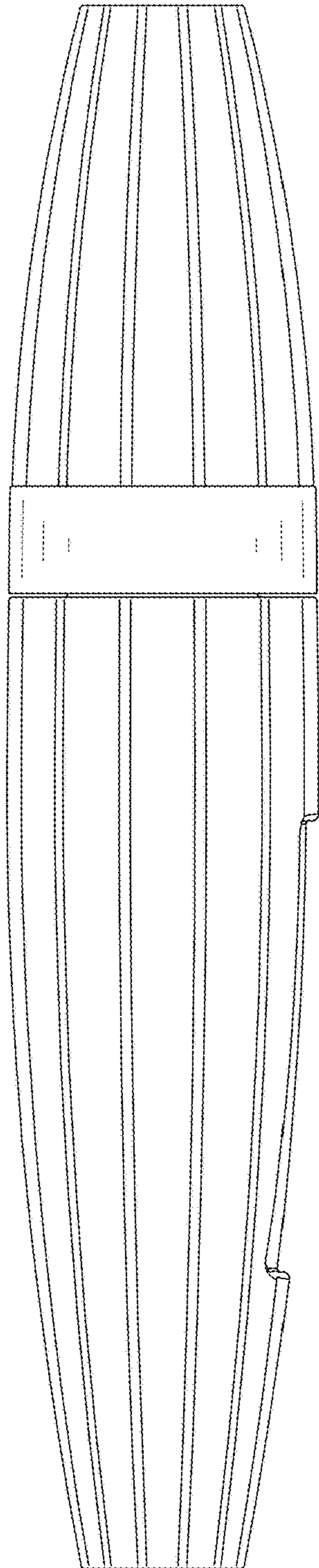


FIG. 5

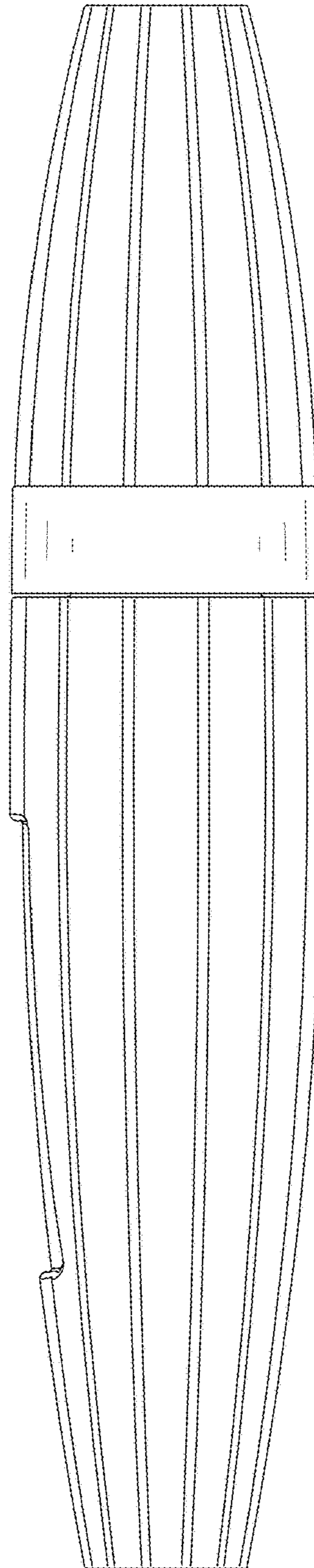


FIG. 6

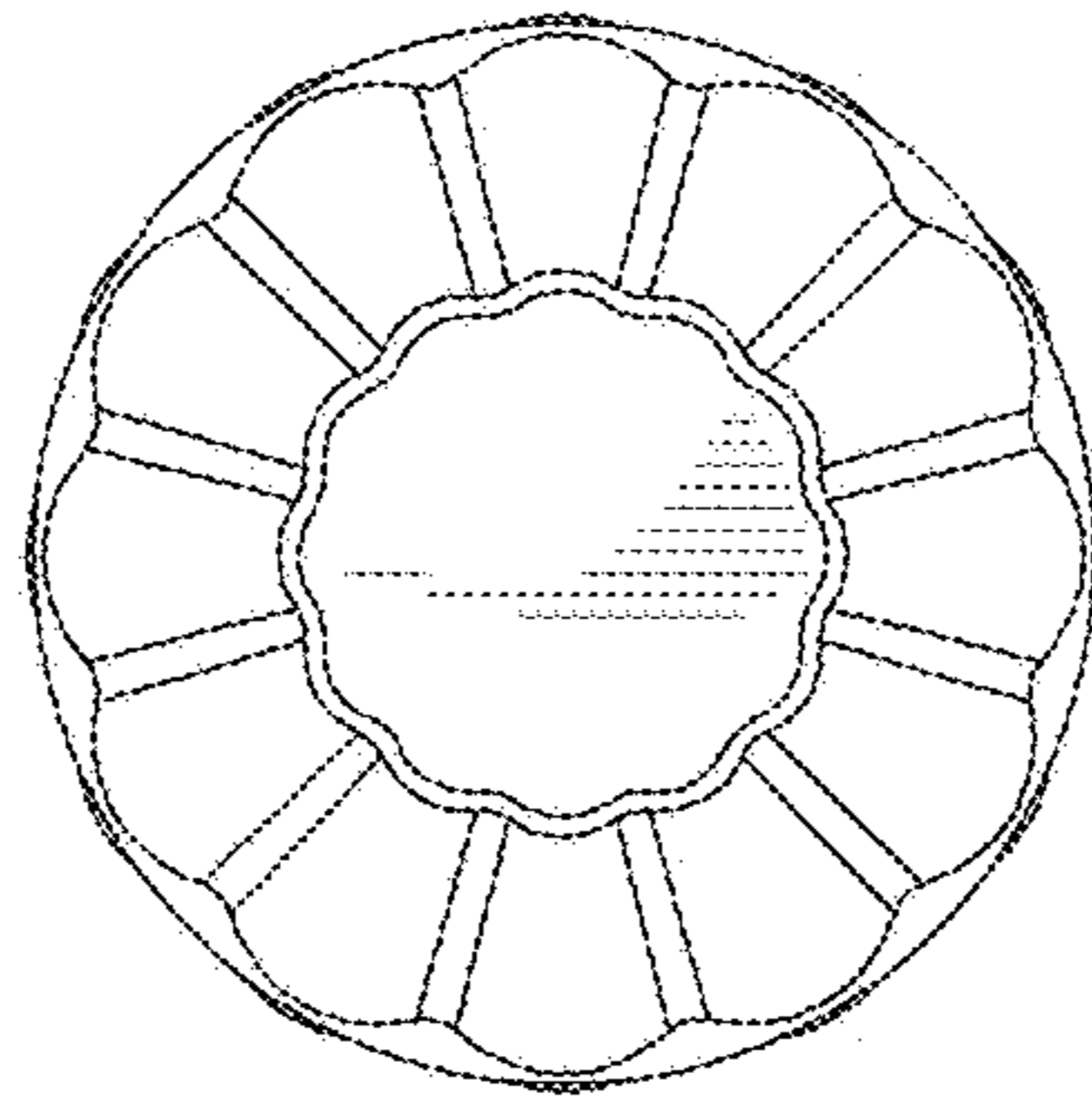


FIG. 7

