



US00D834751S

(12) **United States Design Patent**
Kaiser

(10) **Patent No.:** **US D834,751 S**

(45) **Date of Patent:** **** Nov. 27, 2018**

(54) **LIGHTED POCKET MIRROR**

(71) Applicant: **Erik A. Kaiser**, Mendham, NJ (US)

(72) Inventor: **Erik A. Kaiser**, Mendham, NJ (US)

(**) Term: **15 Years**

(21) Appl. No.: **29/624,889**

(22) Filed: **Nov. 5, 2017**

Related U.S. Application Data

(63) Continuation-in-part of application No. 29/608,236, filed on Jun. 20, 2017, which is a continuation-in-part of application No. 29/608,240, filed on Jun. 20, 2017.

(51) **LOC (11) Cl.** **28-03**

(52) **U.S. Cl.**
USPC **D28/64.2; D28/64.3**

(58) **Field of Classification Search**
USPC D28/64.1-64.3; D6/303, 308
CPC A45D 42/00-42/24
See application file for complete search history.

(56) **References Cited**

U.S. PATENT DOCUMENTS

5,927,298	A *	7/1999	Tiram	A45D 42/08 132/289
D625,928	S *	10/2010	Lee	D6/300
D743,704	S *	11/2015	Kaiser	D6/300
D749,329	S *	2/2016	Kaiser	D6/300
9,426,346	B2 *	8/2016	Sanchez	F21S 10/00
D779,217	S *	2/2017	Zhang	D6/308
2015/0205183	A1 *	7/2015	Gsellman	G03B 15/02 348/333.12
2016/0270515	A1 *	9/2016	Romano	A45D 42/16
2018/0162269	A1 *	6/2018	Bredeweg	A45D 42/10
2018/0172262	A1 *	6/2018	Garcia	F21V 33/004

OTHER PUBLICATIONS

Glamcor Riki Cutie, www.sassydirect.com, posted on Jun. 12, 2018 (Year: 2018).*

GlamCore Mirror Demonstration, www.youtube.com search for glamcor mirror, published Jun. 17, 2015 (Year: 2015).*
Glamcor Riki Skinny, www.youtube.com search for riki loves riki mirror, published on Jun. 27, 2016 (Year: 2016).*

* cited by examiner

Primary Examiner — Jennifer Rivard

(74) *Attorney, Agent, or Firm* — Steven N. Fox, Esq.

(57) **CLAIM**

The ornamental design for a lighted pocket mirror, as shown and described.

DESCRIPTION

FIG. 1 is a perspective view of a lighted pocket mirror according to the present invention showing the LEDs off and a thumb ring in a first orientation;

FIG. 2 is a perspective view of the lighted pocket mirror showing the LEDs off and the thumb ring in a second orientation;

FIG. 3 is a perspective view of the lighted pocket mirror showing the LEDs on and the thumb ring in the first orientation;

FIG. 4 is a perspective view of the lighted pocket mirror showing the LEDs on and the thumb ring in the second orientation;

FIG. 5 is a perspective view of the lighted pocket mirror showing the LEDs off and the thumb ring retracted;

FIG. 6 is a front view thereof;

FIG. 7 is a top view thereof;

FIG. 8 is a bottom view thereof;

FIG. 9 is a rear view thereof;

FIG. 10 is a left side view thereof; and,

FIG. 11 is a right view thereof.

The features shown in broken lines illustrate environment and form no part of the claimed design.

1 Claim, 8 Drawing Sheets

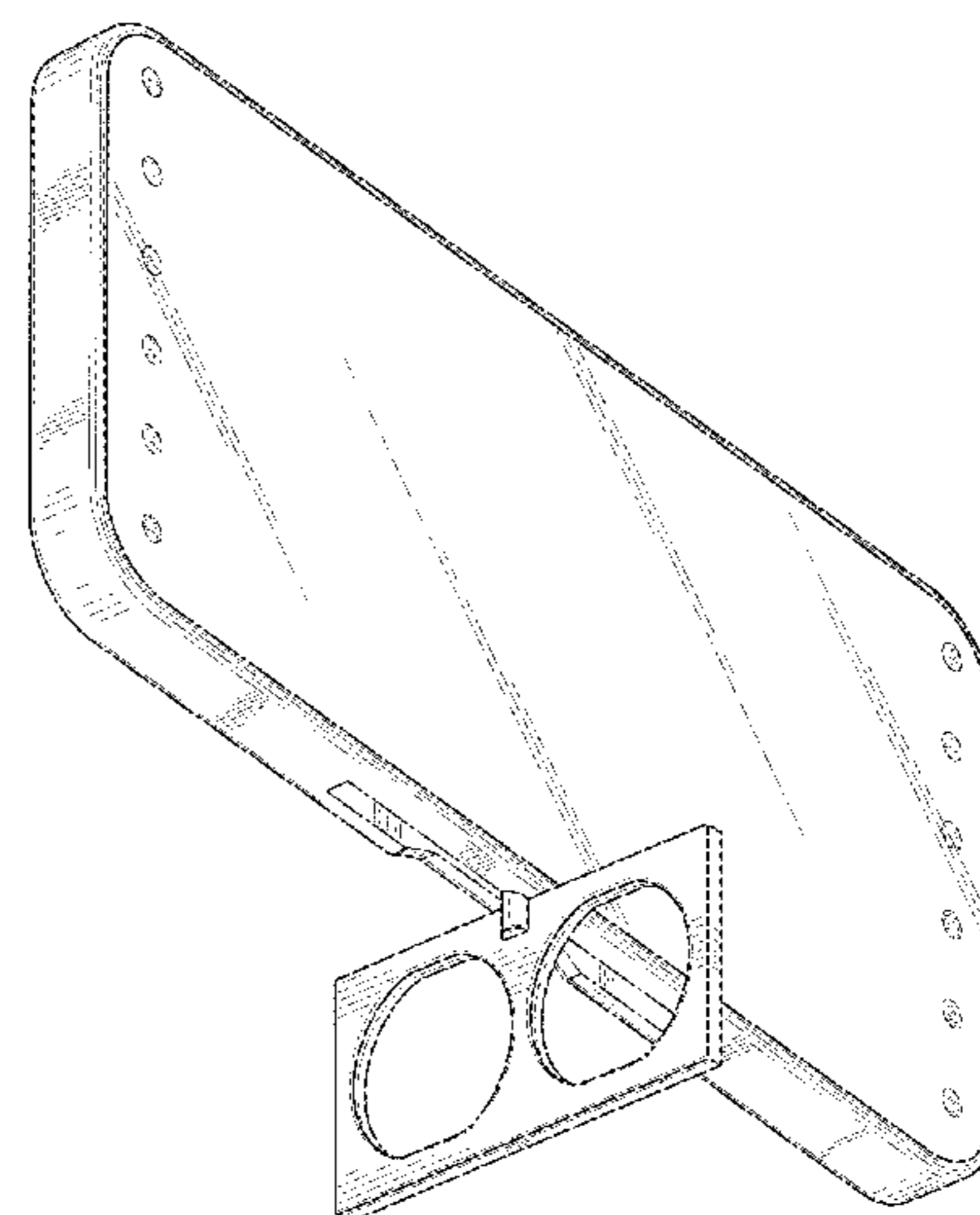
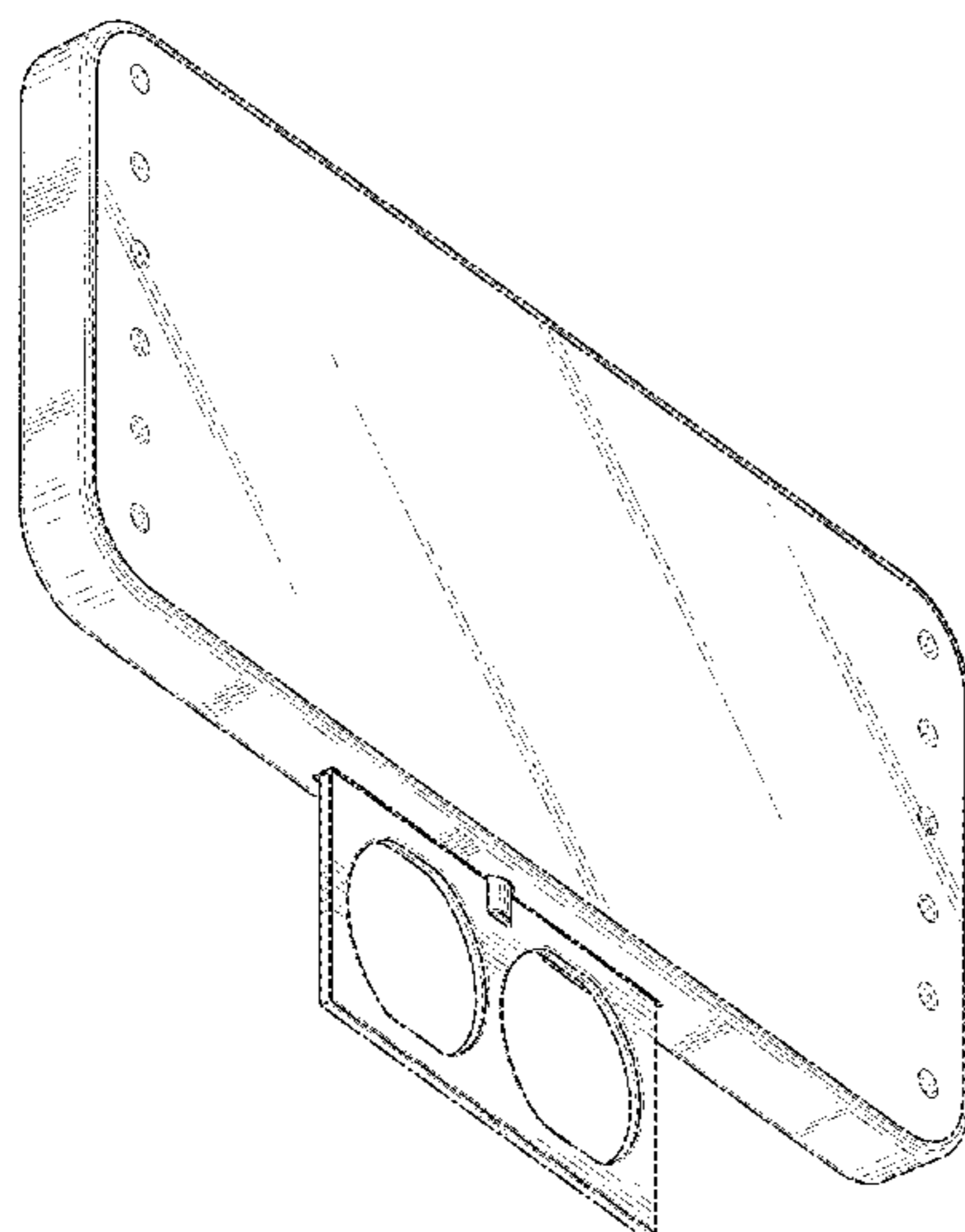


FIG. 1

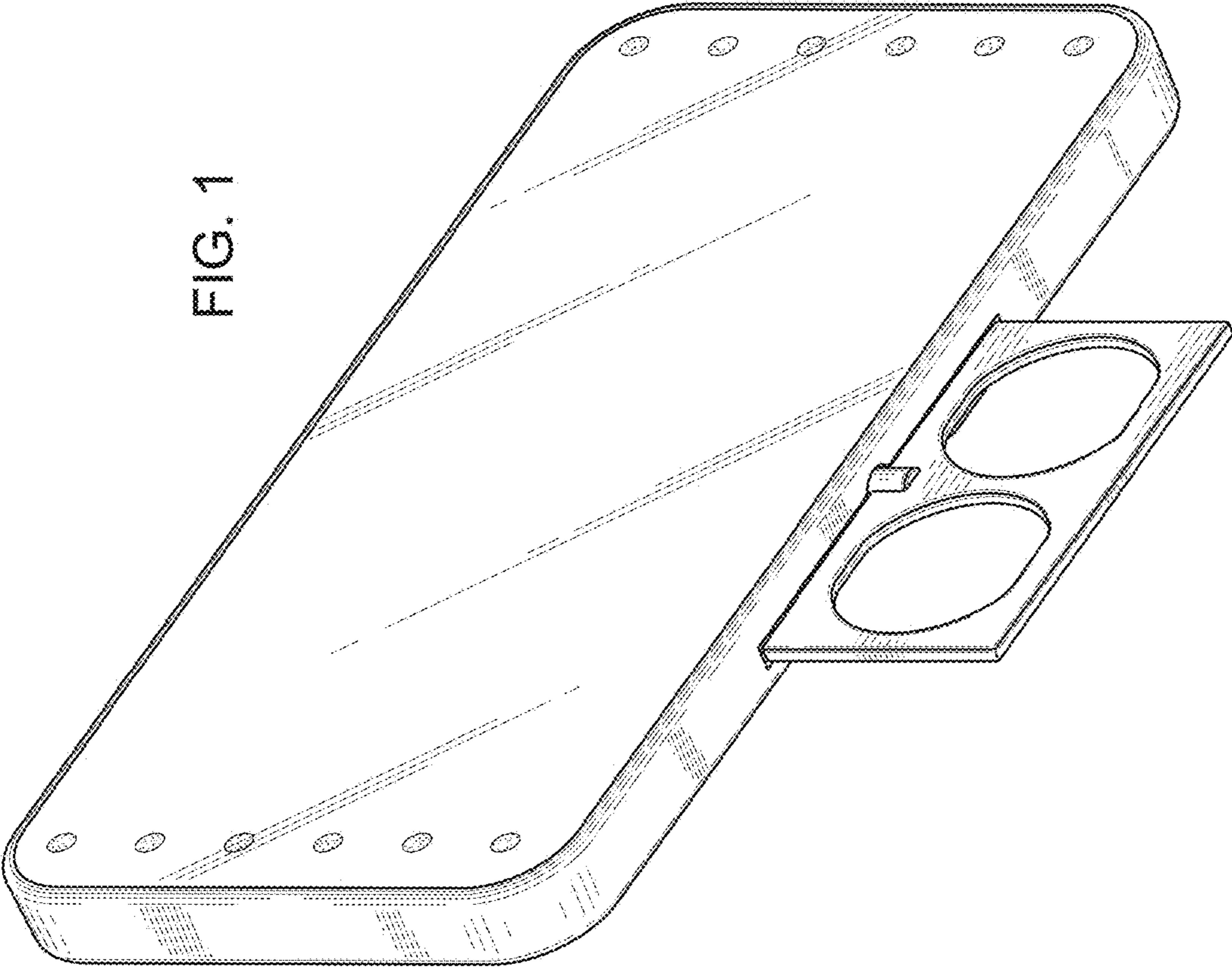


FIG. 2

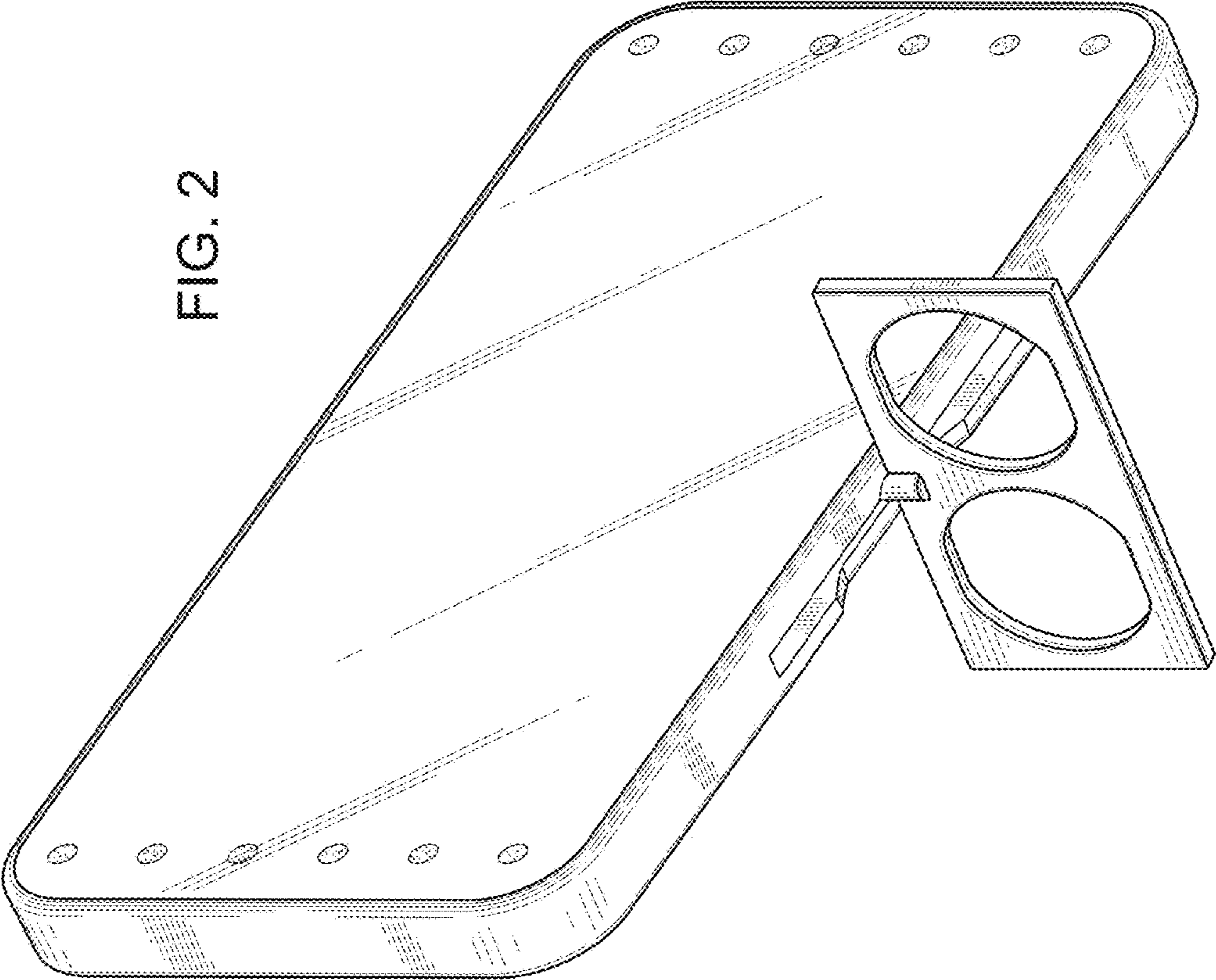


FIG. 3

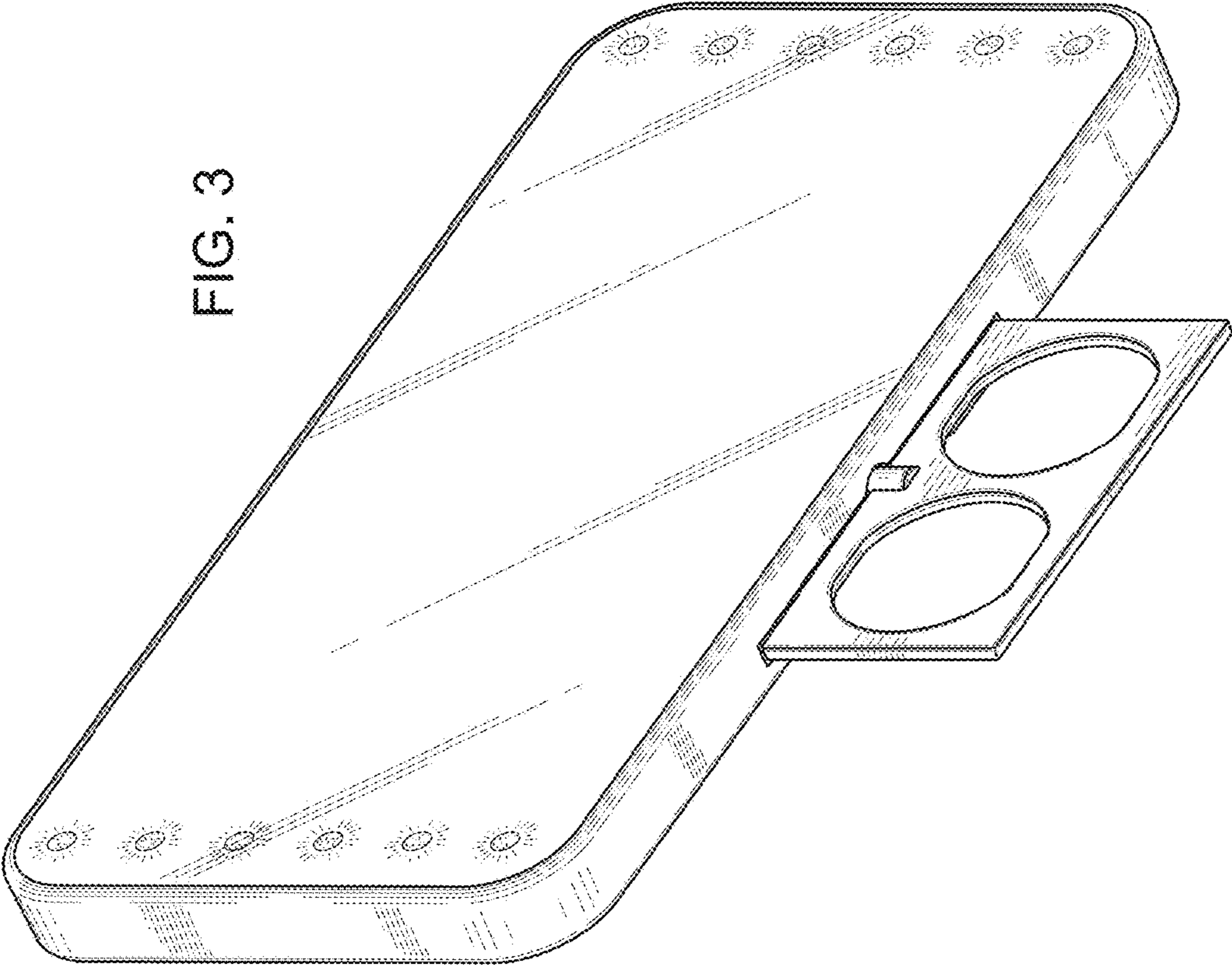


FIG. 4

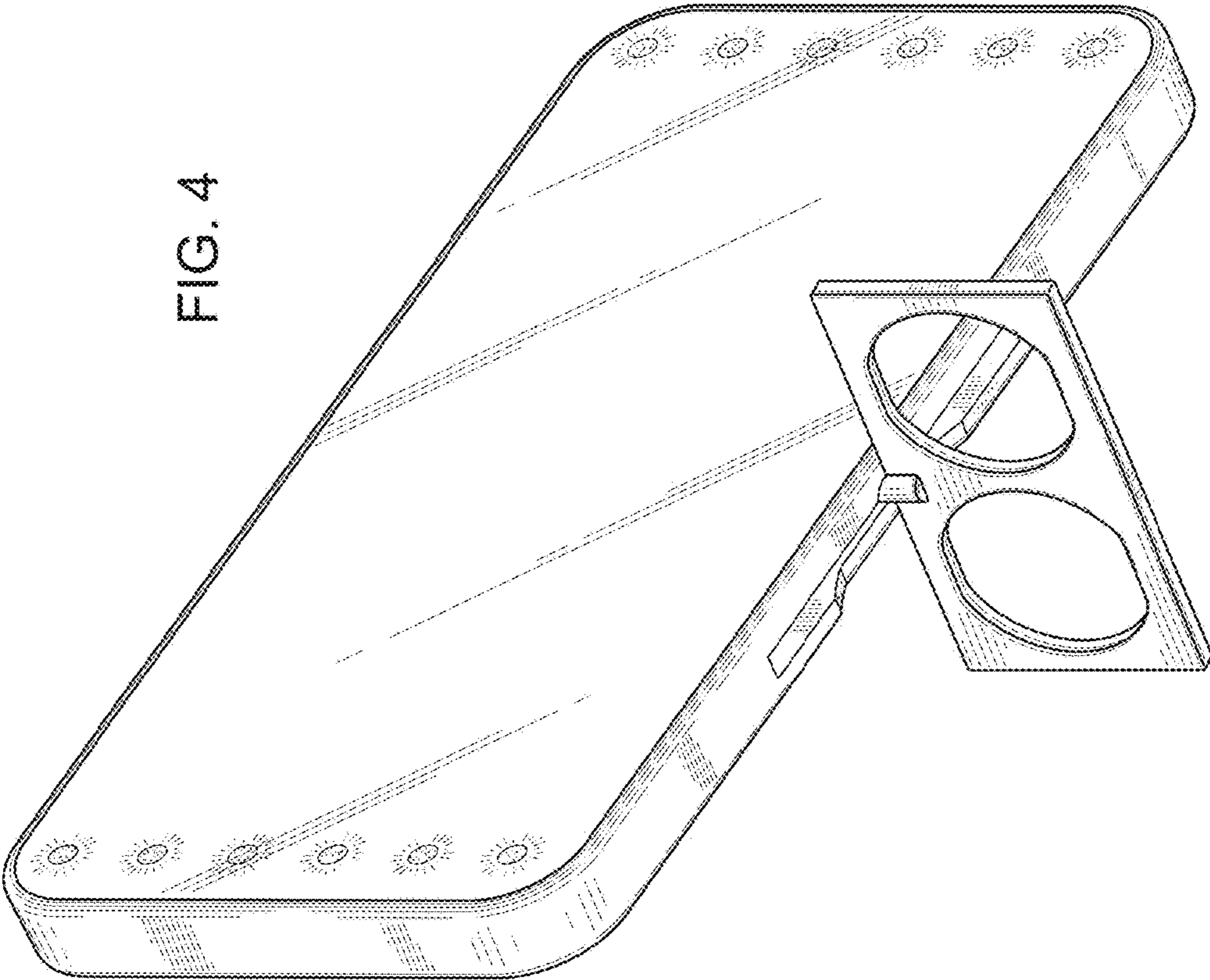
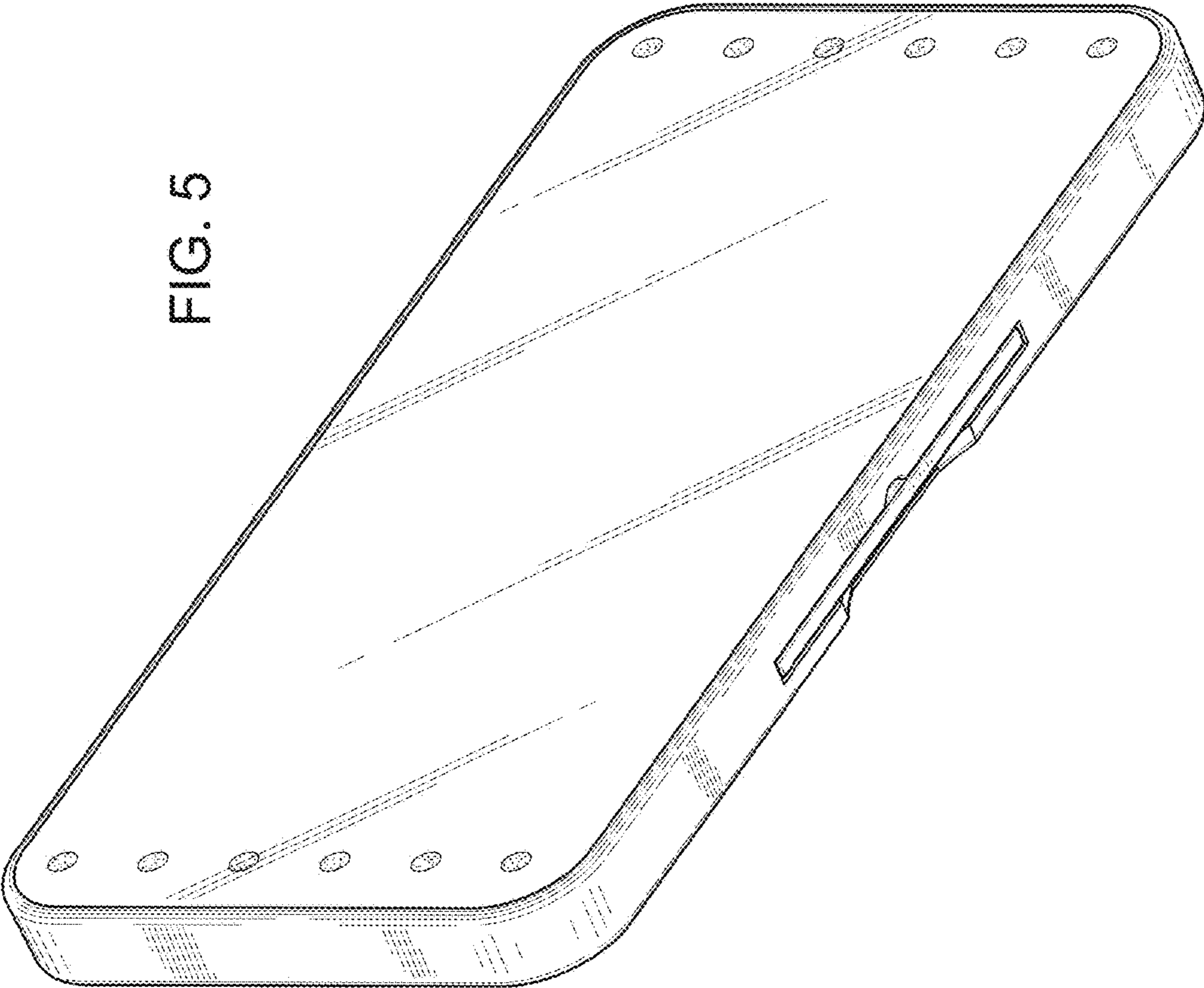


FIG. 5



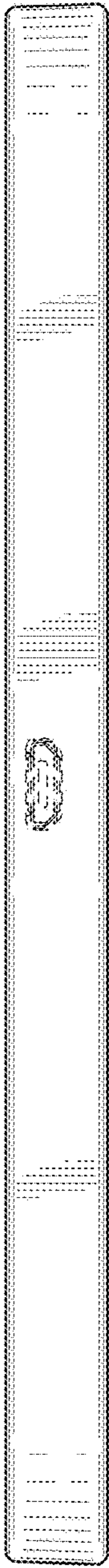


FIG. 6

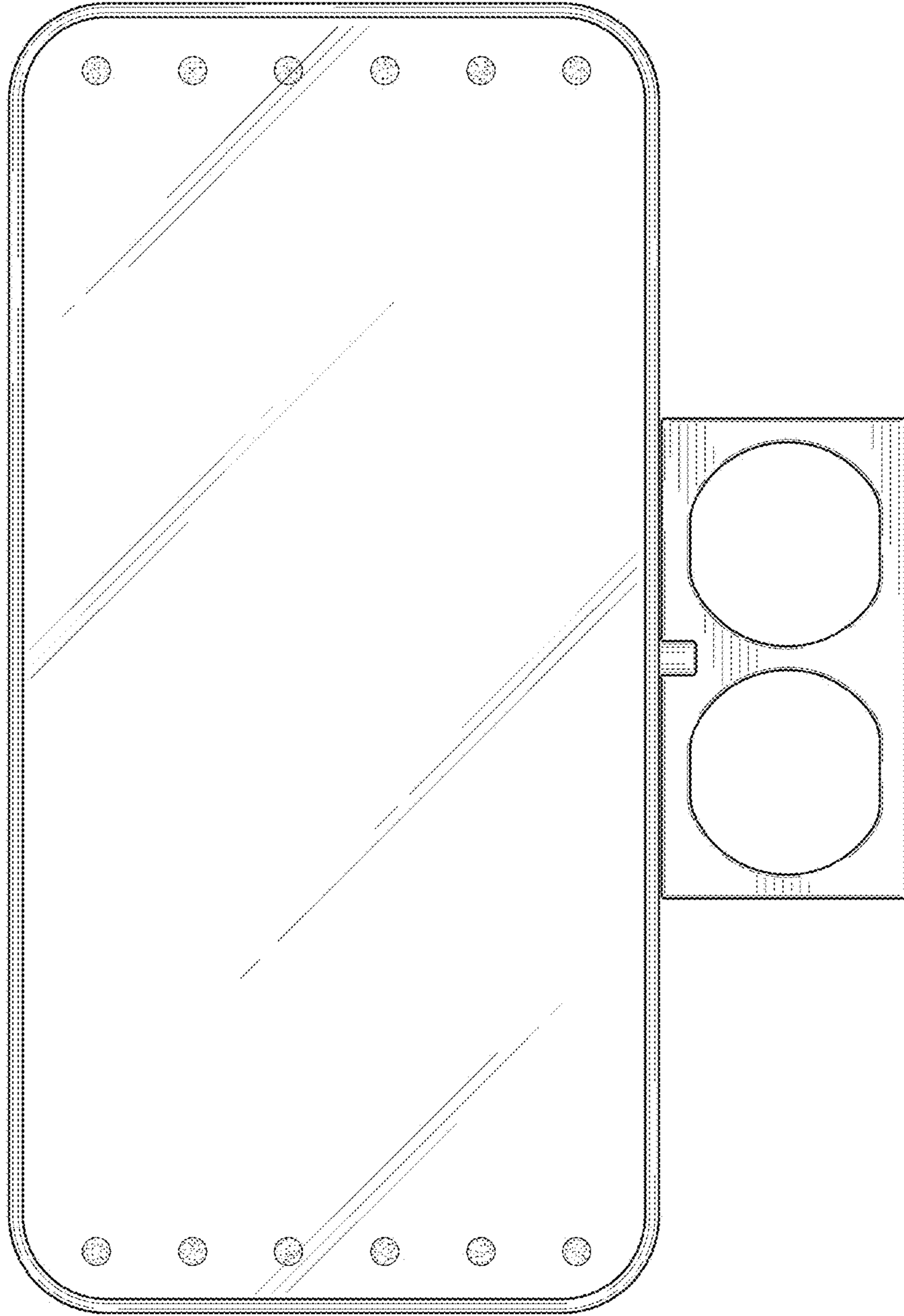


FIG. 7

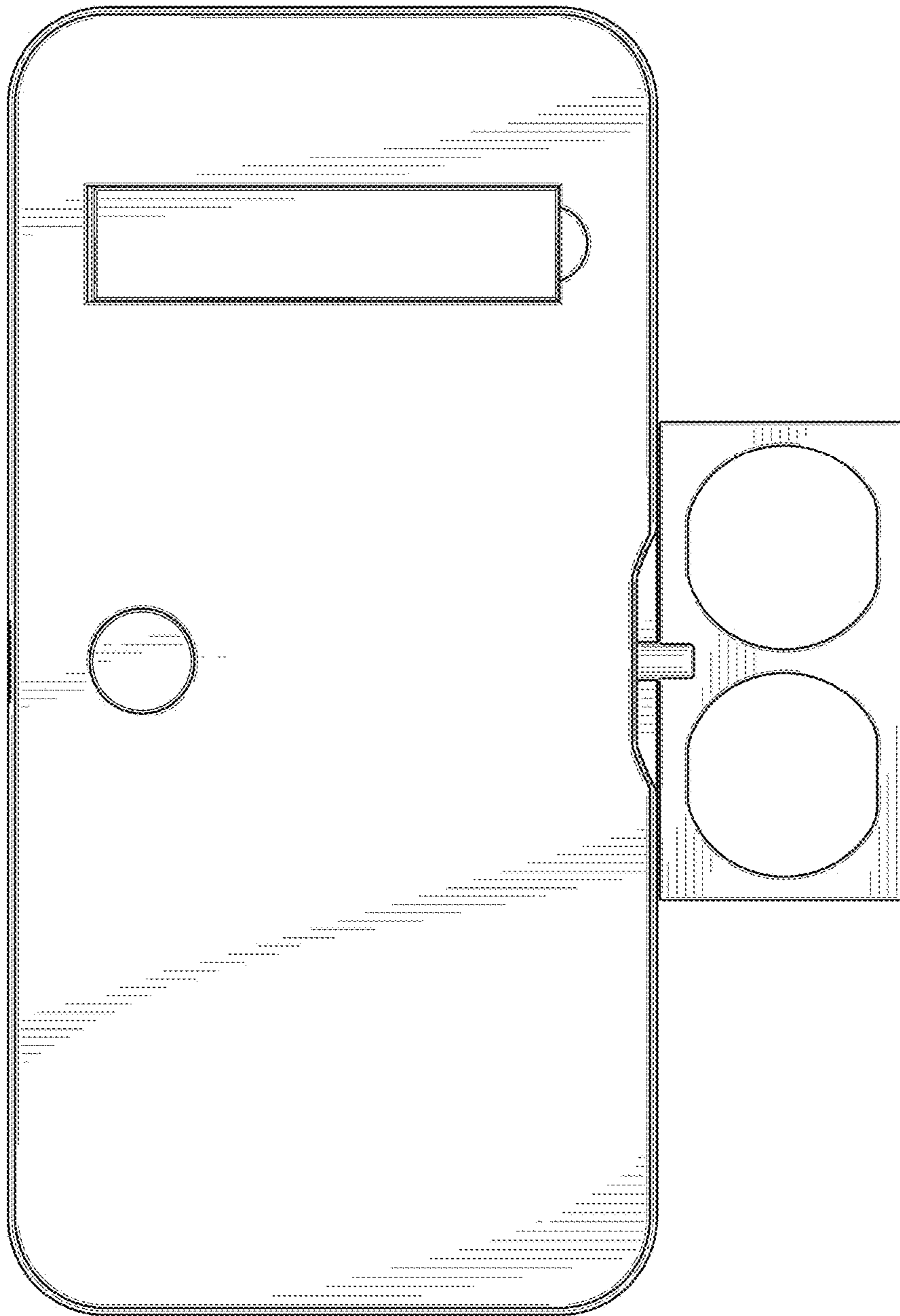


FIG. 8

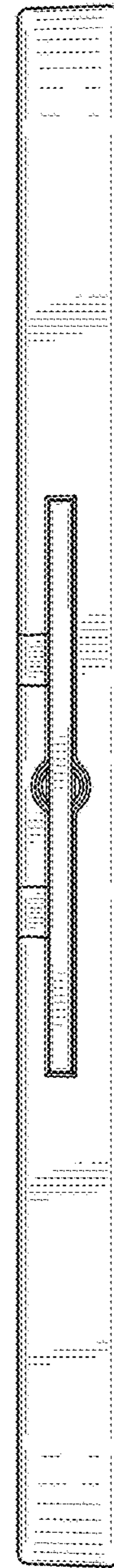


FIG. 9

FIG. 11

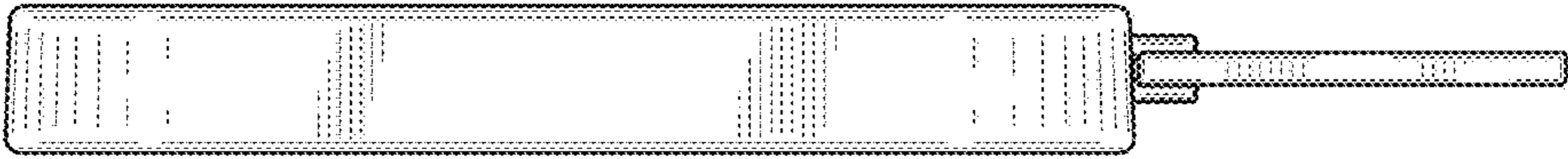


FIG. 10

