



US00D834750S

(12) **United States Design Patent** (10) **Patent No.:** **US D834,750 S**
Toone et al. (45) **Date of Patent:** **** Nov. 27, 2018**

(54) **RAZOR DEVICE**

(71) Applicant: **IRVING BARBER COMPANY LLC**,
La Habra, CA (US)

(72) Inventors: **Richard Mathew Toone**, La Habra, CA
(US); **Christopher Toone**, La Habra,
CA (US); **Nasser Pirshafiey**, Thousand
Oaks, CA (US); **John Young**, Whittier,
CA (US)

(73) Assignee: **IRVING BARBER COMPANY LLC**,
La Habra, CA (US)

(**) Term: **15 Years**

(21) Appl. No.: **29/630,466**

(22) Filed: **Dec. 21, 2017**

Related U.S. Application Data

(63) Continuation of application No. 14/814,751, filed on
Jul. 31, 2015.

(51) **LOC (11) Cl.** **28-03**

(52) **U.S. Cl.**
USPC **D28/45**

(58) **Field of Classification Search**
USPC D28/46-48, 45

(Continued)

(56) **References Cited**

U.S. PATENT DOCUMENTS

901,537 A 10/1908 Koscherak
1,145,984 A 7/1915 Fuller

(Continued)

Primary Examiner — Jennifer Rivard

(74) *Attorney, Agent, or Firm* — Proven Patents Law
Firm; Kregg A. Koch

(57) **CLAIM**

An ornamental design for a razor device, as shown and
described.

DESCRIPTION

FIG. 1 is a first perspective view of an embodiment of a
razor device, showing the razor device in a closed position.

FIG. 2 is a second perspective view of the embodiment of
the razor device in the closed position shown in FIG. 1.

FIG. 3 is a first side view of the embodiment of the razor
device in the closed position shown in FIG. 1.

FIG. 4 is a second side view of the embodiment of the razor
device in the closed position shown in FIG. 1, the second
side being generally opposite to the first side shown in FIG.
3.

FIG. 5 is a top view of the embodiment of the razor device
in the closed position shown in FIG. 1.

FIG. 6 is a bottom view of the embodiment of the razor
device in the closed position shown in FIG. 1.

FIG. 7 is a front view of the embodiment of the razor device
in the closed position shown in FIG. 1.

FIG. 8 is a back view of the embodiment of the razor device
in the closed position shown in FIG. 1.

FIG. 9 is a first perspective view of the embodiment of a
razor device shown in FIG. 1, showing the razor device in
an open position.

FIG. 10 is a second perspective view of the embodiment of
the razor device shown in FIG. 1, showing the razor device
in an open position.

FIG. 11 is a first side view of the embodiment of the razor
device shown in FIG. 1, showing the razor device in an open
position.

FIG. 12 is a second side view of the embodiment of the razor
device shown in FIG. 1, showing the razor device in an open
position, the second side being generally opposite to the first
side shown in FIG. 11.

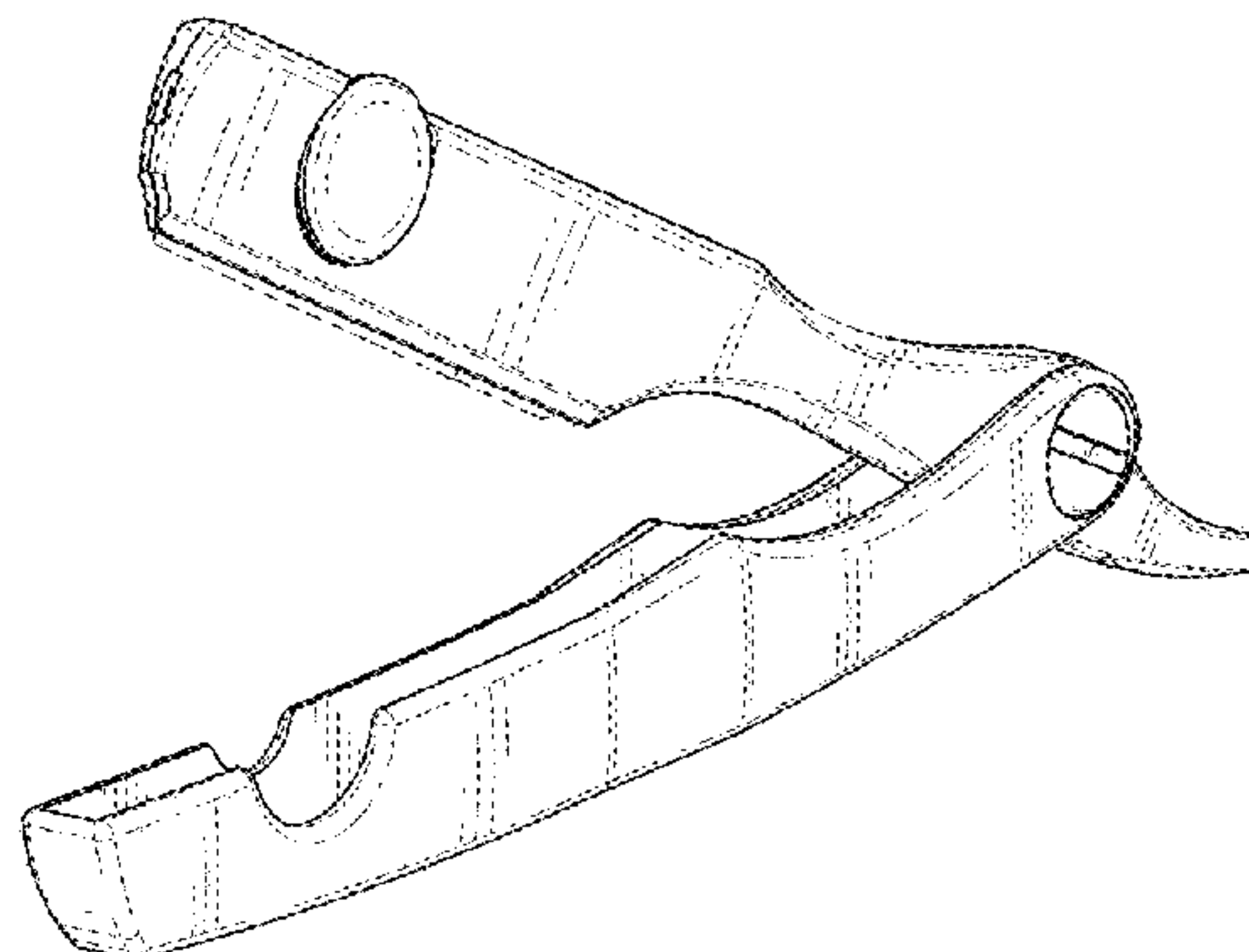
FIG. 13 is a top view of the embodiment of the razor device
shown in FIG. 1, showing the razor device in an open
position.

FIG. 14 is a bottom view of the embodiment of the razor
device shown in FIG. 1, showing the razor device in an open
position.

FIG. 15 is a front view of the embodiment of the razor
device shown in FIG. 1, showing the razor device in an open
position; and,

FIG. 16 is a back view of the embodiment of the razor device
shown in FIG. 1, showing the razor device in an open
position.

(Continued)



The broken lines in FIGS. 9-11 depict environmental structure and form no part of the claimed design.

1 Claim, 5 Drawing Sheets

(58) **Field of Classification Search**

CPC B26B 21/52-21/528; B26B 21/00-21/06;
B26B 21/08-21/38

See application file for complete search history.

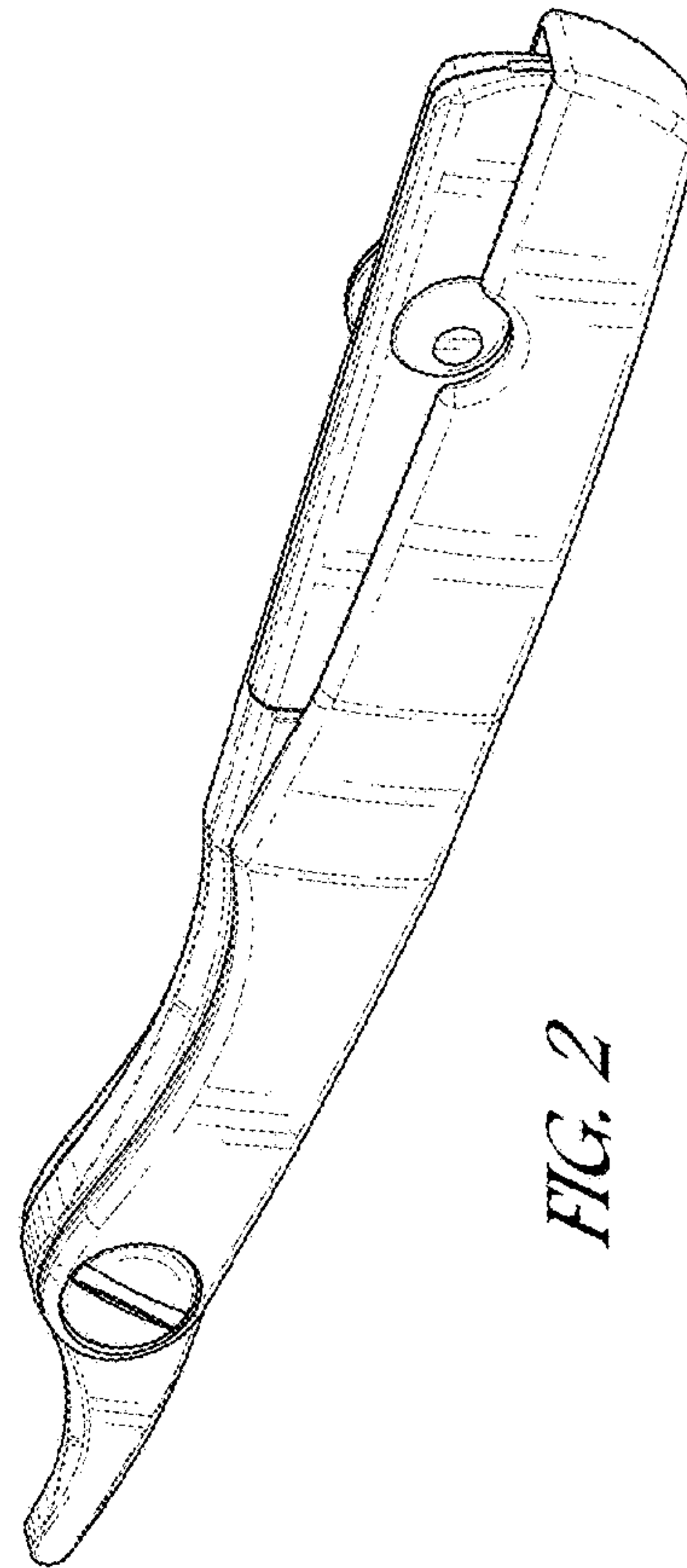
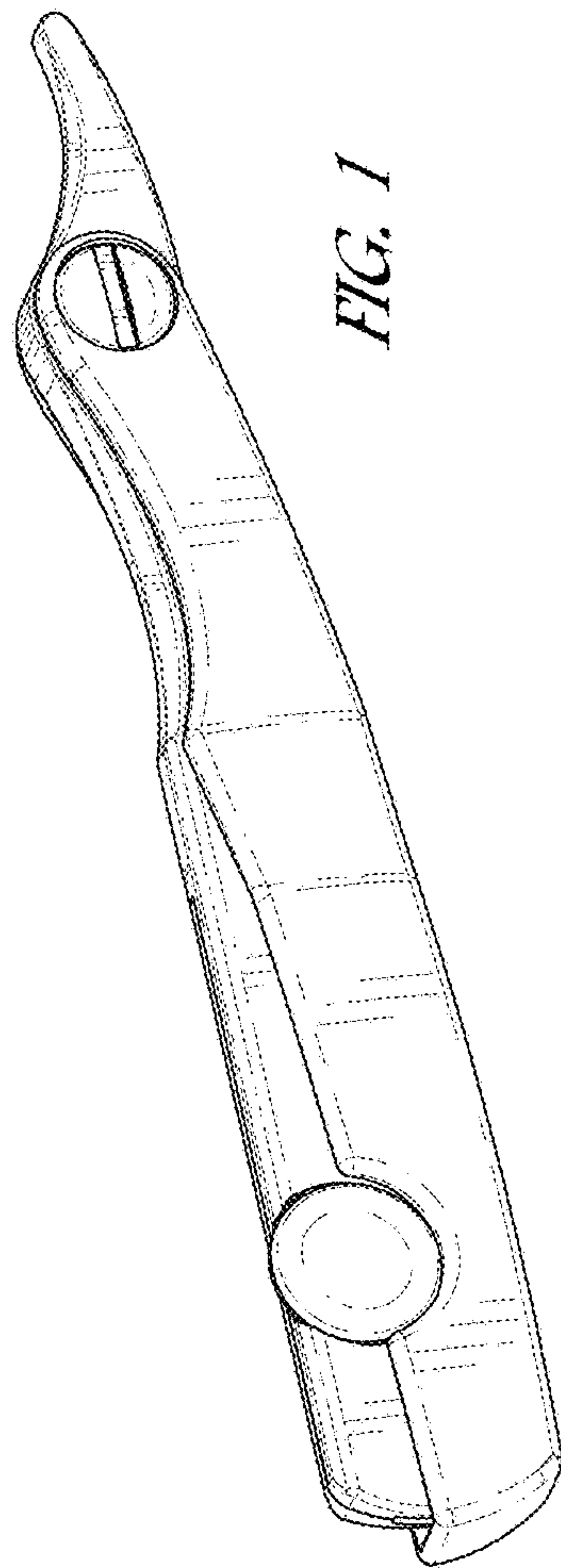
(56) **References Cited**

U.S. PATENT DOCUMENTS

1,288,522 A 12/1918 Cowan
1,338,908 A 5/1920 Crawford
1,350,960 A 8/1920 Evans
1,693,348 A 11/1928 Pollifrone
1,774,617 A 9/1930 Temple
1,782,455 A 11/1930 Baker
1,932,458 A 10/1933 Hanson
2,479,788 A 8/1949 Stokes

2,707,830 A 5/1955 McColl
2,857,668 A 10/1958 Galbraith
3,031,757 A 5/1962 Kramer
3,106,020 A 10/1963 Tape
3,308,533 A 3/1967 Holohan
3,383,763 A 5/1968 Strandfors
3,388,467 A 6/1968 Martin
3,728,788 A * 4/1973 Pearson B26B 21/08
30/40.2
3,983,627 A 10/1976 Montrasi
4,285,125 A 8/1981 Chen
4,630,365 A 12/1986 Imaizumi
4,709,475 A 12/1987 Phung
D302,344 S * 7/1989 Baker D28/45
4,920,644 A * 5/1990 Lagattuta B26B 21/10
30/330
6,438,847 B1 * 8/2002 Alsaifi B26B 21/10
30/50
6,701,619 B2 3/2004 Haruyuki
6,722,039 B2 4/2004 Kitano
D525,390 S * 7/2006 Barbieri D28/45
D627,517 S * 11/2010 Ido D28/45
2013/0333221 A1 12/2013 Pineda

* cited by examiner



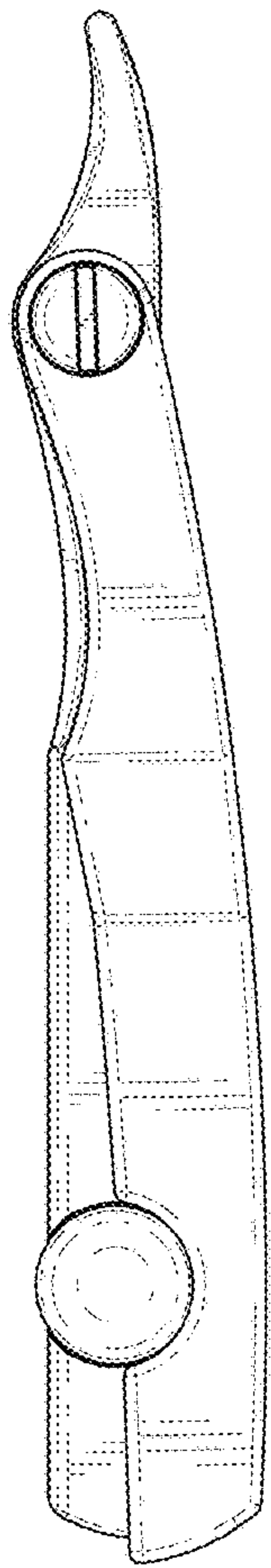


FIG. 3

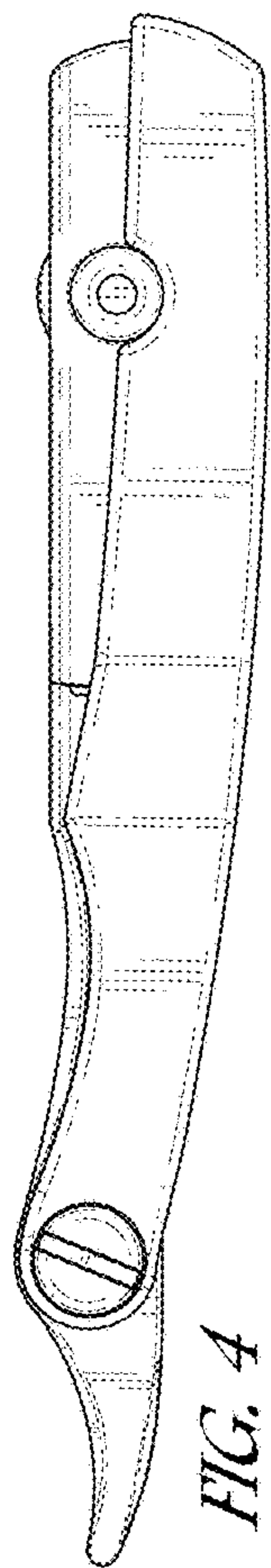


FIG. 4

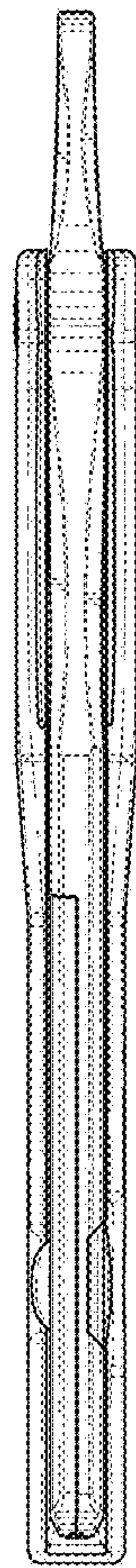


FIG. 5

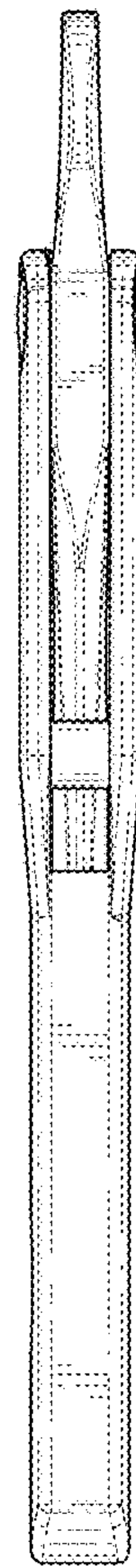


FIG. 6

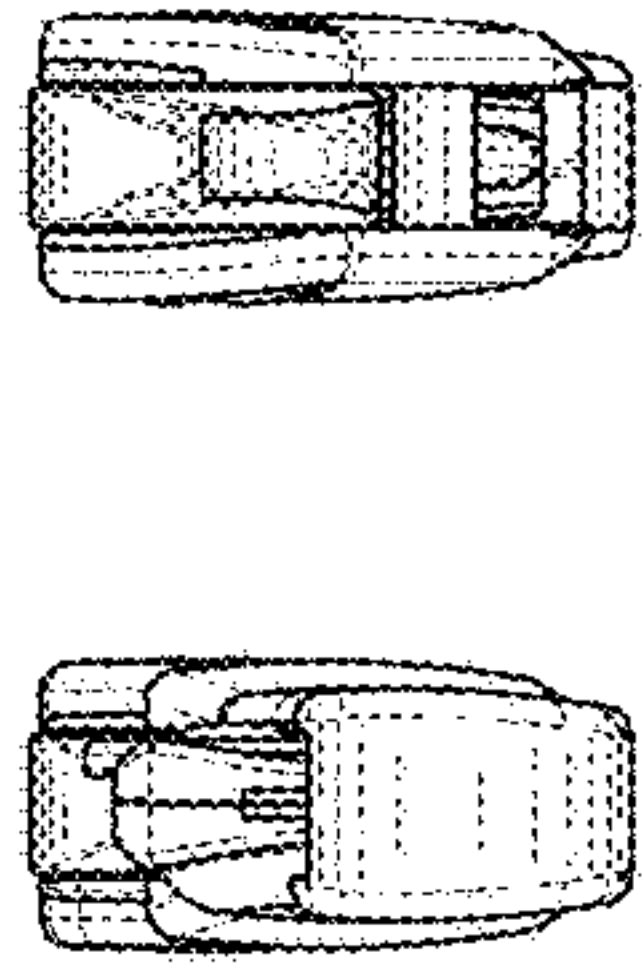
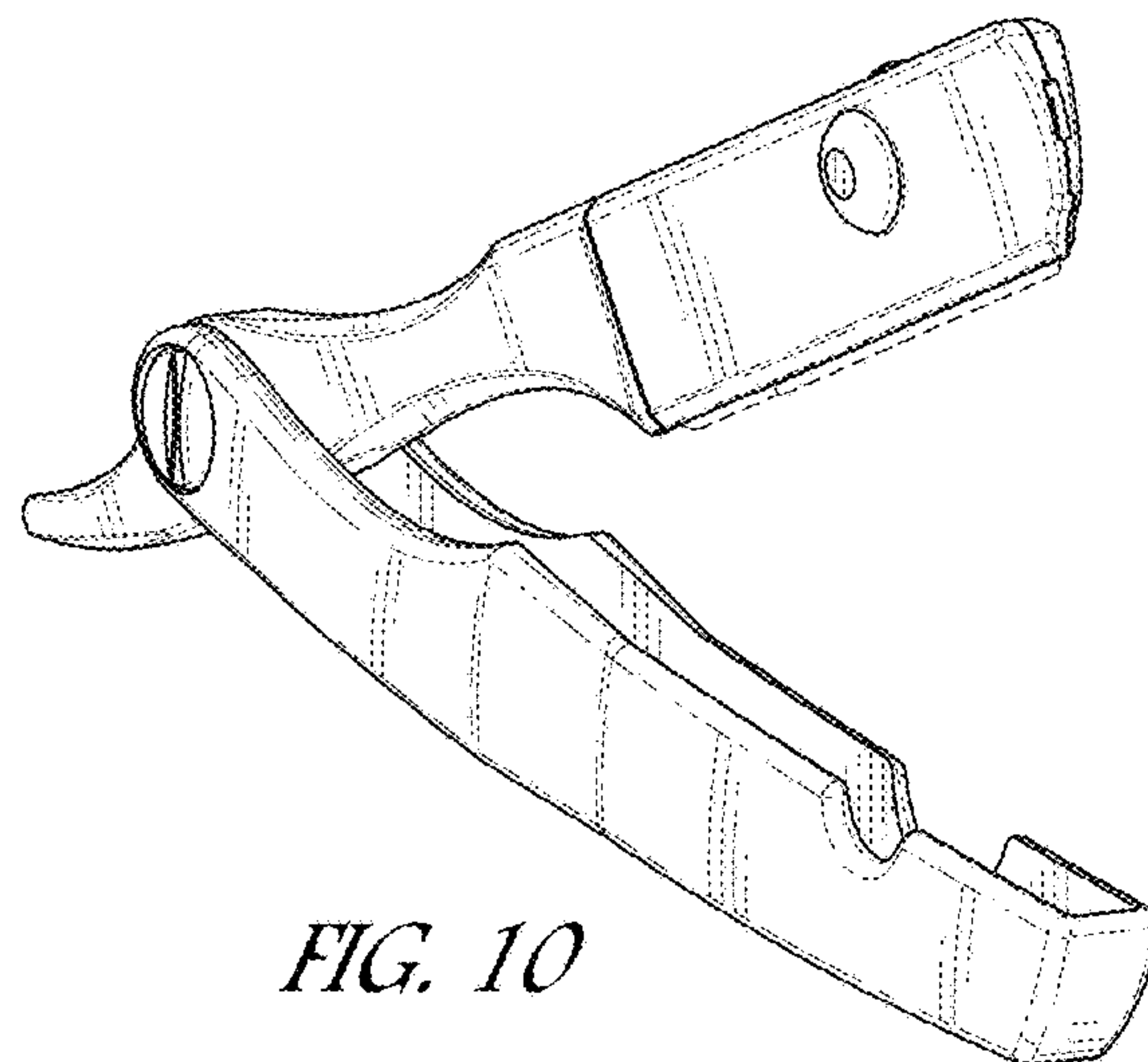
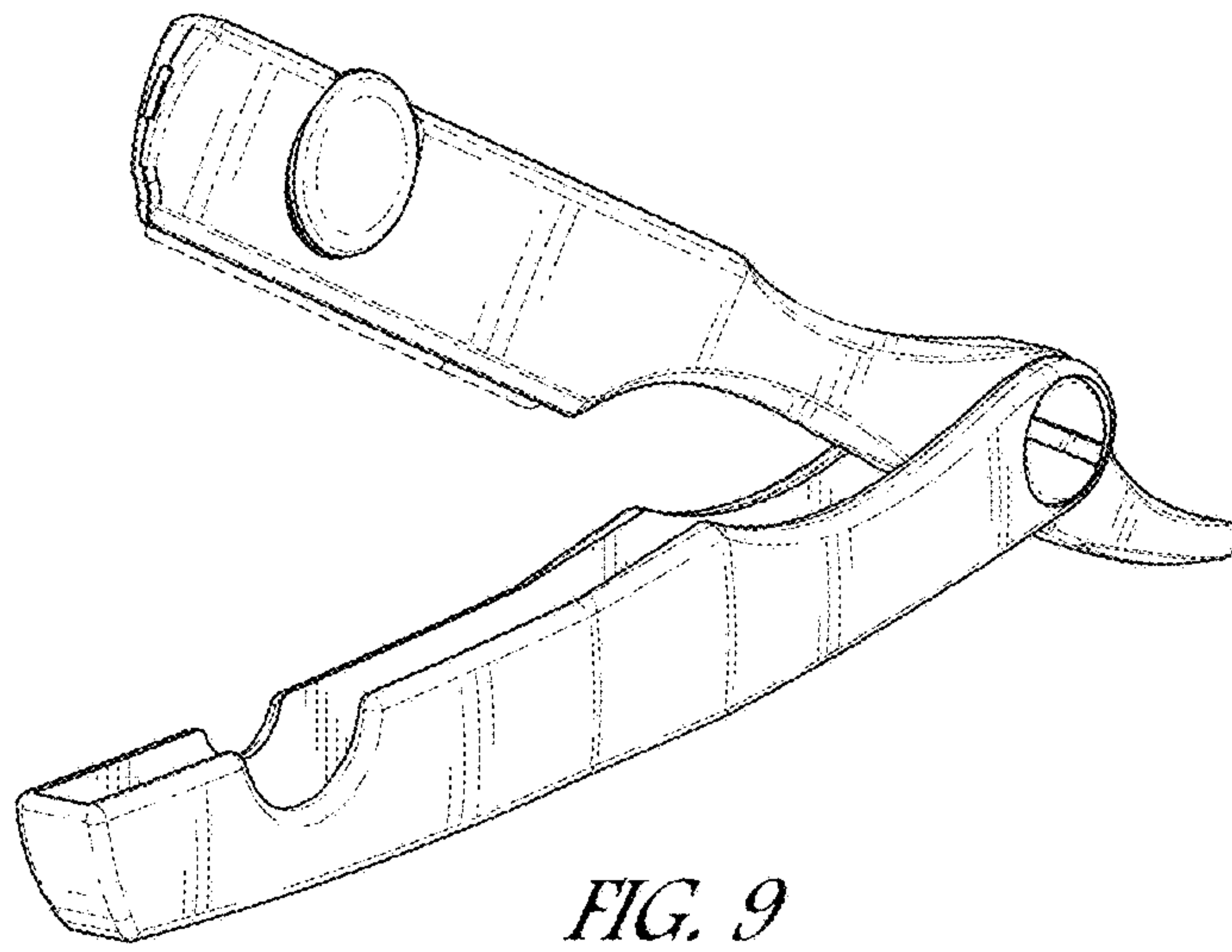


FIG. 7 FIG. 8



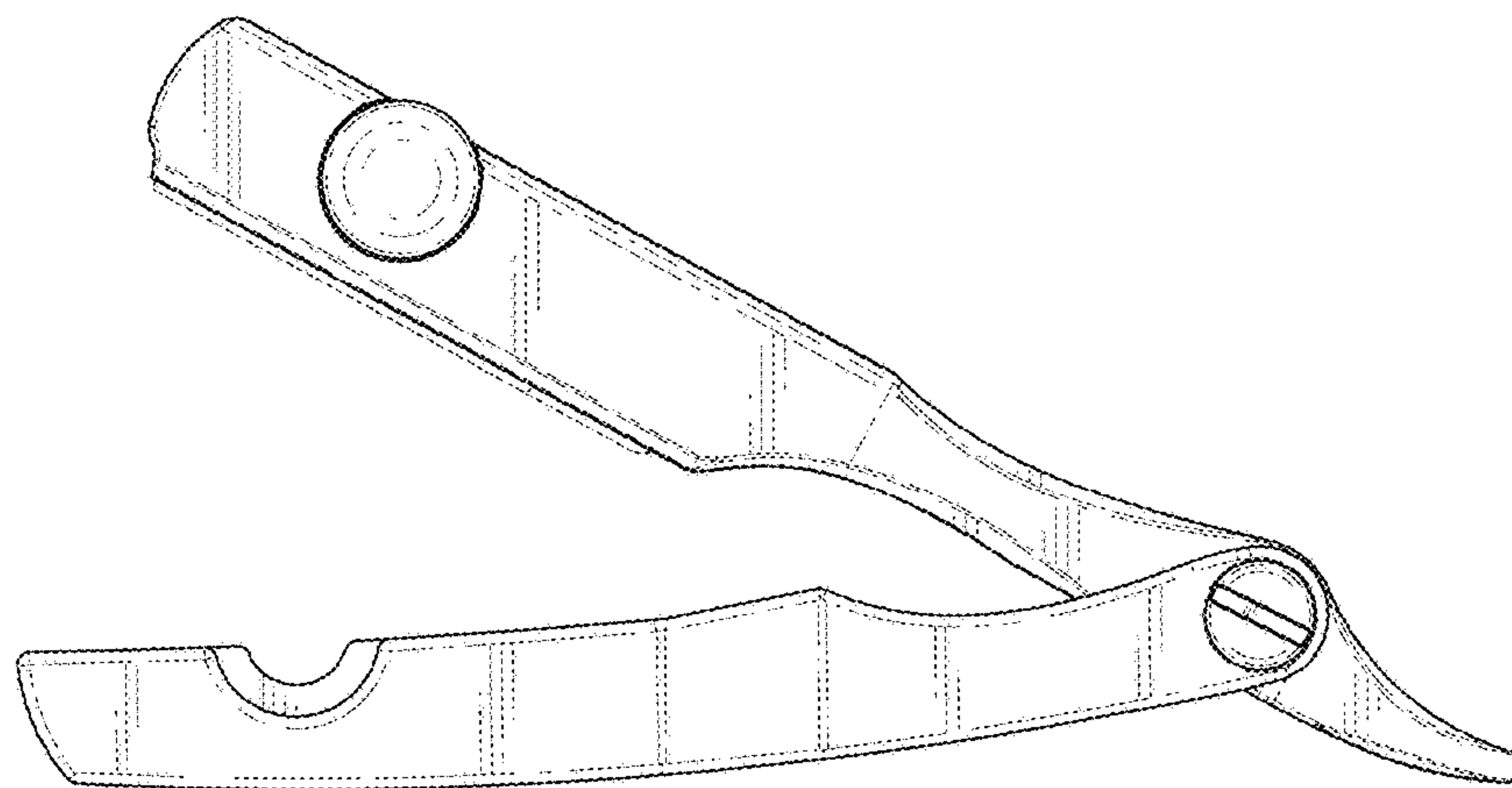


FIG. 11

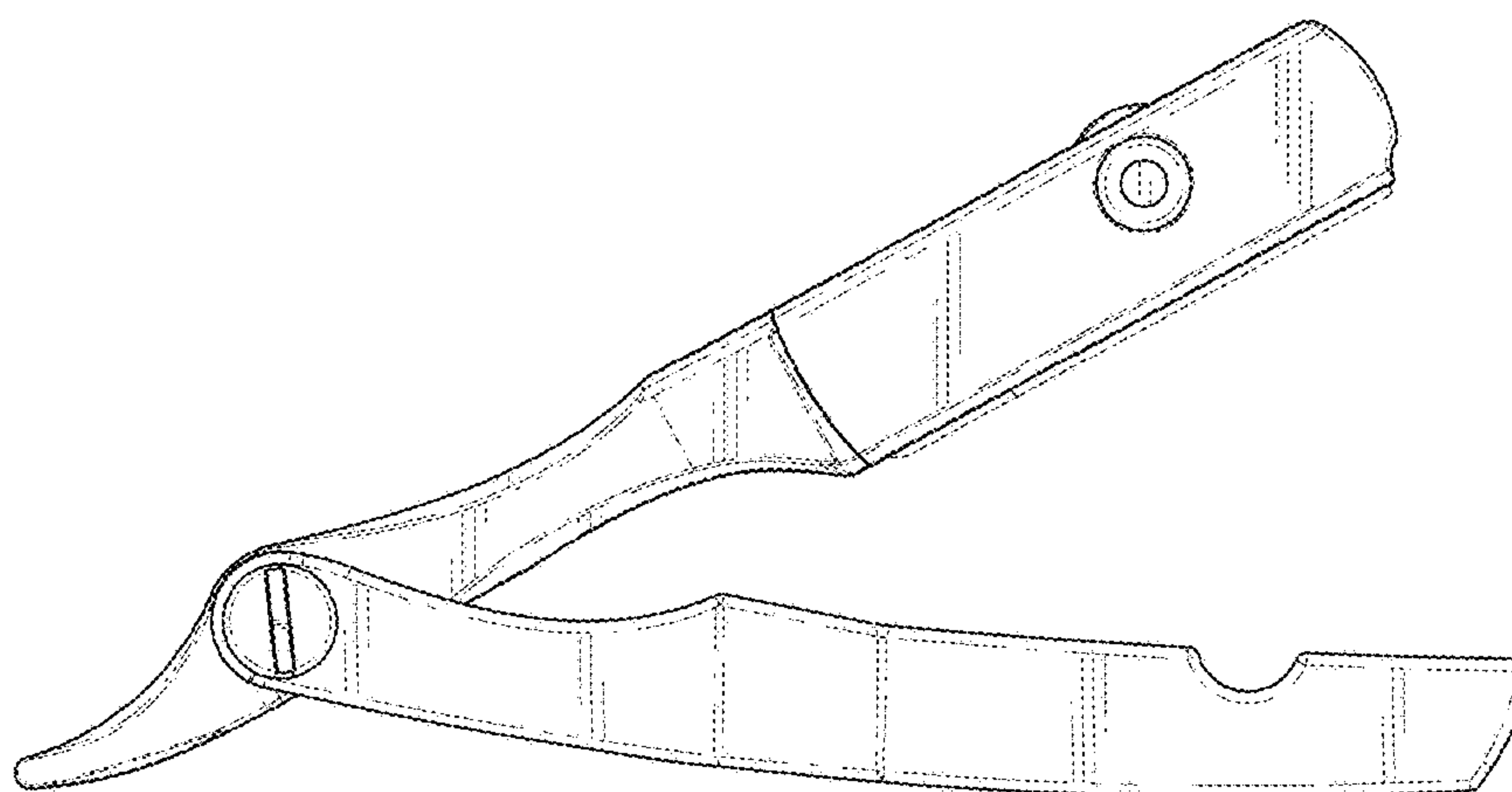


FIG. 12

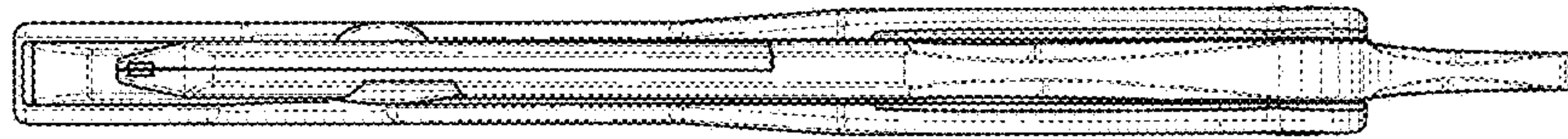


FIG. 13

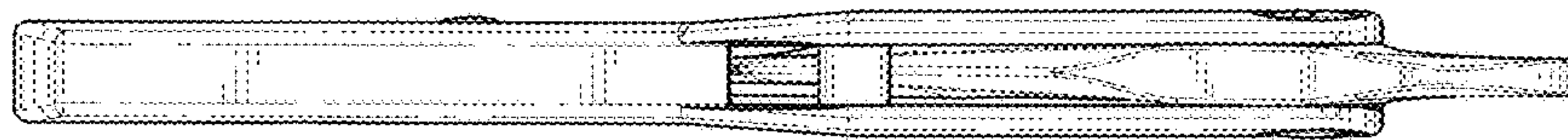


FIG. 14

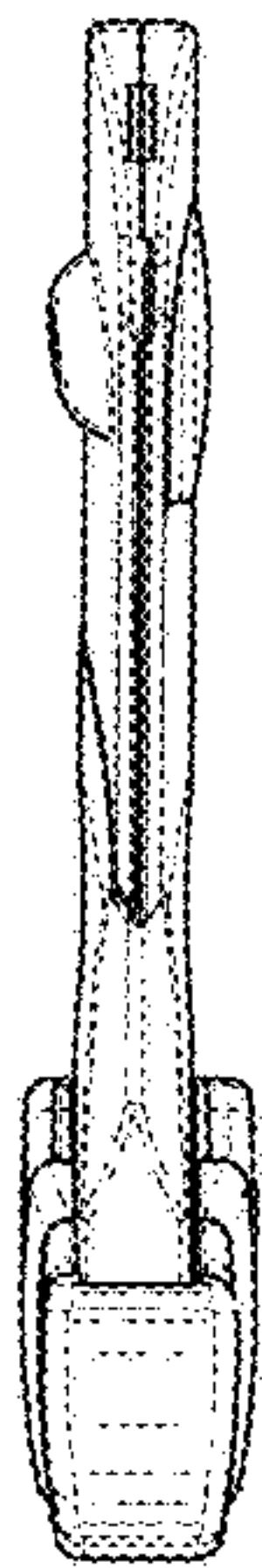


FIG. 15

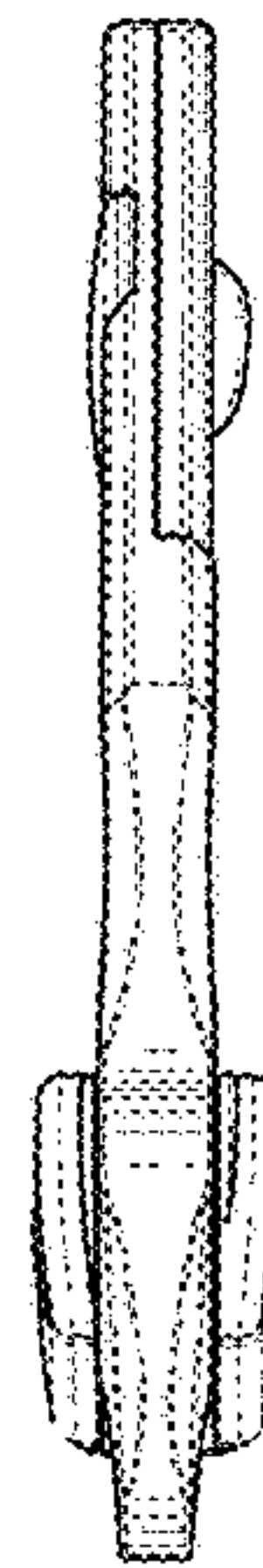


FIG. 16