



US00D834745S

(12) **United States Design Patent**  
**Liu et al.**

(10) **Patent No.:** **US D834,745 S**  
(45) **Date of Patent:** **\*\* Nov. 27, 2018**

(54) **ELECTRONIC CIGARETTE**  
(71) Applicant: **Huizhou Kimree Technology Co., Ltd.**  
**Shenzhen Branch**, Shenzhen,  
Guangdong (CN)  
(72) Inventors: **Qiuming Liu**, Guangdong (CN);  
**Zhiyong Xiang**, Guangdong (CN)  
(73) Assignee: **HUIZHOU KIMREE**  
**TECHNOLOGY CO., LTD.**  
**SHENZHEN BRANCH**, Shenzhen,  
Guangdong (CN)

D808,071 S \* 1/2018 Folkerts ..... D27/101  
D808,073 S \* 1/2018 Leidel ..... D27/162  
D816,895 S \* 5/2018 Ren ..... D27/162  
D819,262 S \* 5/2018 Lin ..... D27/101  
2016/0331912 A1\* 11/2016 Trzeciecki ..... A61M 11/042  
2017/0245550 A1\* 8/2017 Freeland ..... A24F 47/008

\* cited by examiner

*Primary Examiner* — Brandon M Rosati

*Assistant Examiner* — Marissa J Cash

(74) *Attorney, Agent, or Firm* — Ladas & Parry LLP

(\*\*) Term: **15 Years**

(57) **CLAIM**

(21) Appl. No.: **29/629,768**

The ornamental design for an electronic cigarette, as shown and described.

(22) Filed: **Dec. 15, 2017**

(51) **LOC (11) Cl.** ..... **27-02**

(52) **U.S. Cl.**  
USPC ..... **D27/162**

**DESCRIPTION**

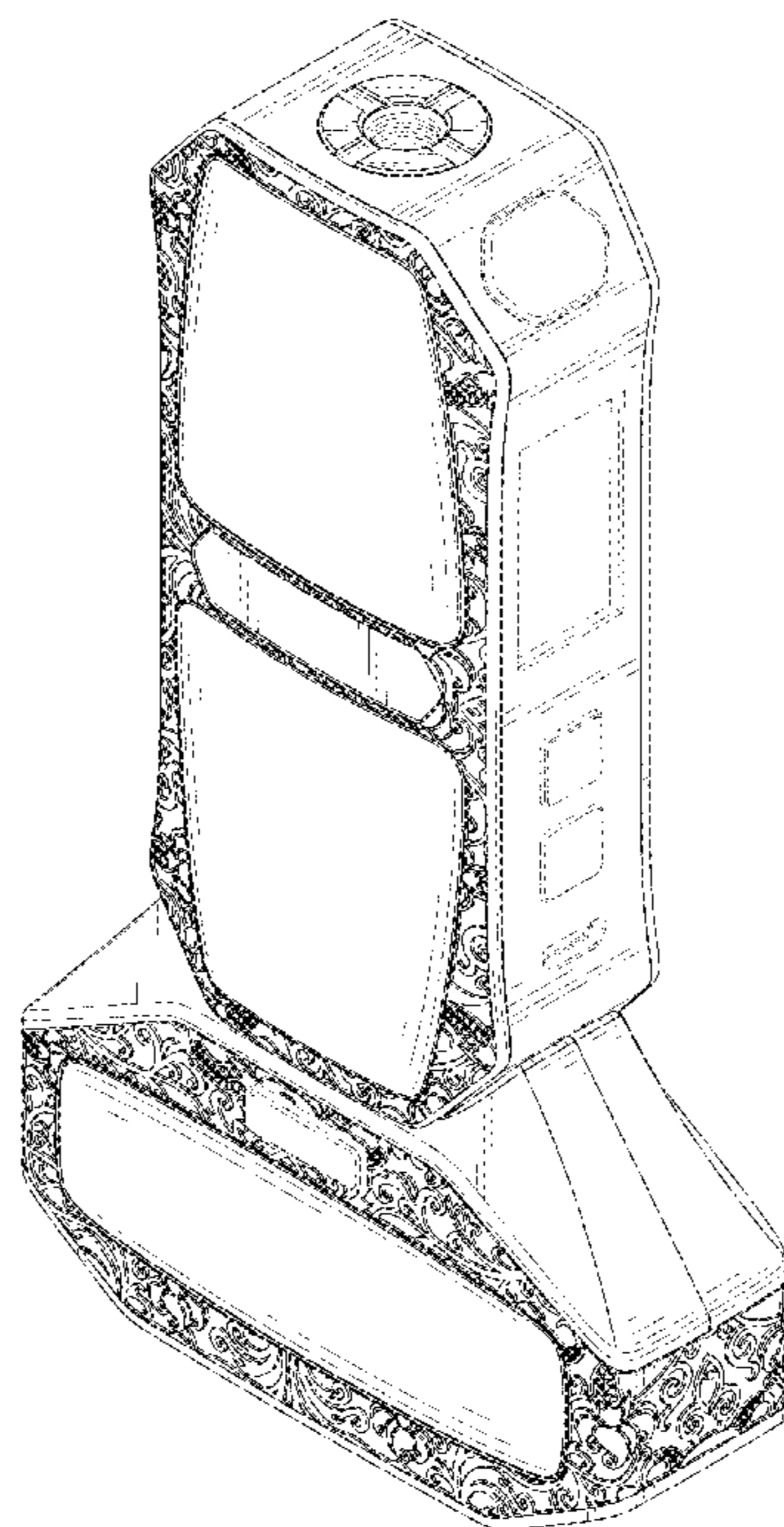
(58) **Field of Classification Search**  
USPC ..... D27/100, 101, 162, 163–194;  
D19/115–123, 161–169; D24/110;  
D23/366  
CPC ..... A24F 47/008; A24F 47/002; A24F 7/02;  
A61M 15/06  
See application file for complete search history.

FIG. 1 is a perspective view of an electronic cigarette showing our new design;  
FIG. 2 is a front elevational thereof;  
FIG. 3 is a rear elevational view thereof;  
FIG. 4 is a left side elevational view thereof;  
FIG. 5 is a right side elevational view thereof;  
FIG. 6 is a top plan view thereof; and,  
FIG. 7 is a bottom plan view thereof.  
The broken lines in the figures are included for the purpose of illustrating portions of the electronic cigarette which form no part of the claimed design.

(56) **References Cited**  
U.S. PATENT DOCUMENTS

D581,520 S \* 11/2008 Williams ..... D23/360  
D690,002 S \* 9/2013 Storey ..... D24/110

**1 Claim, 7 Drawing Sheets**



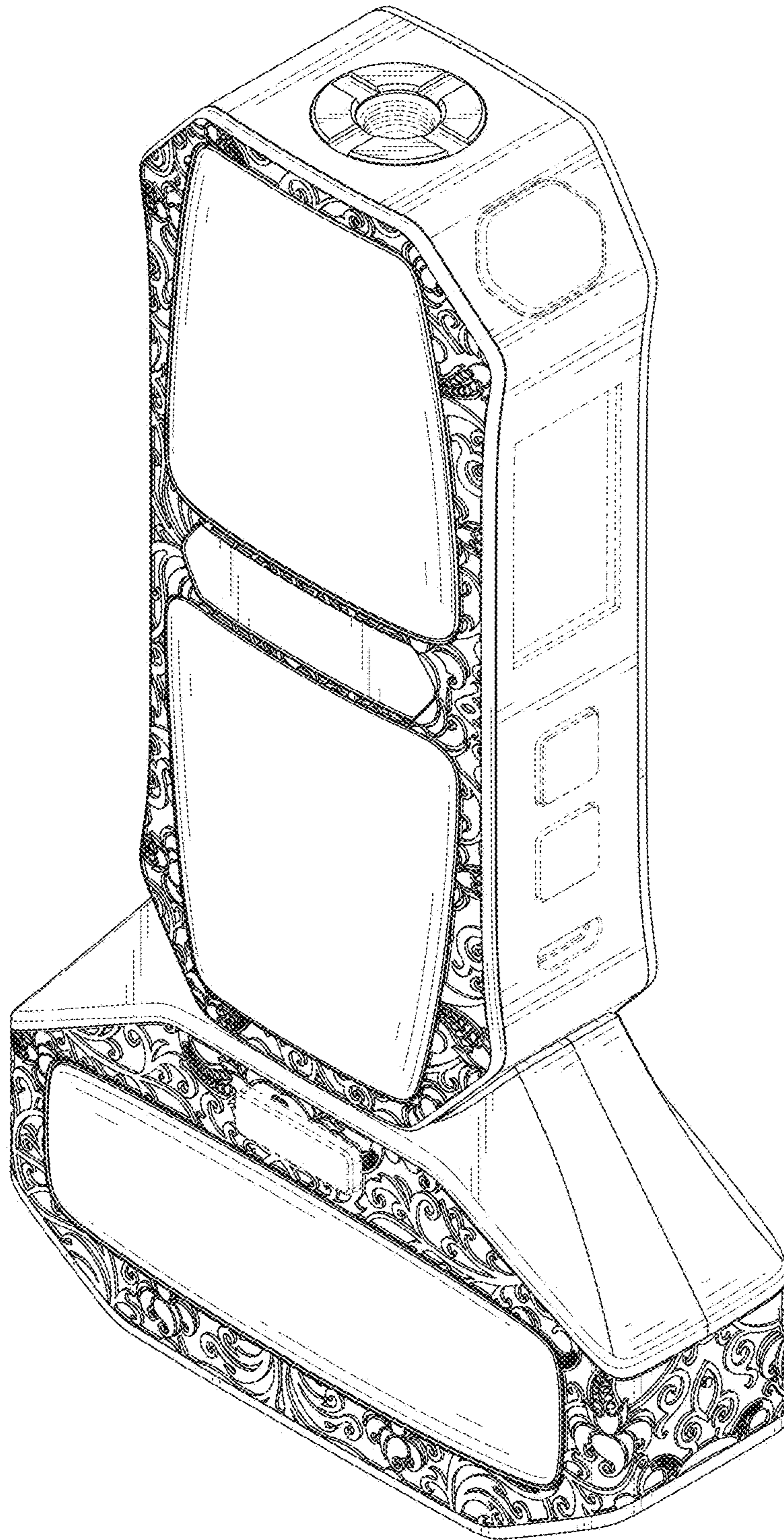


FIG. 1

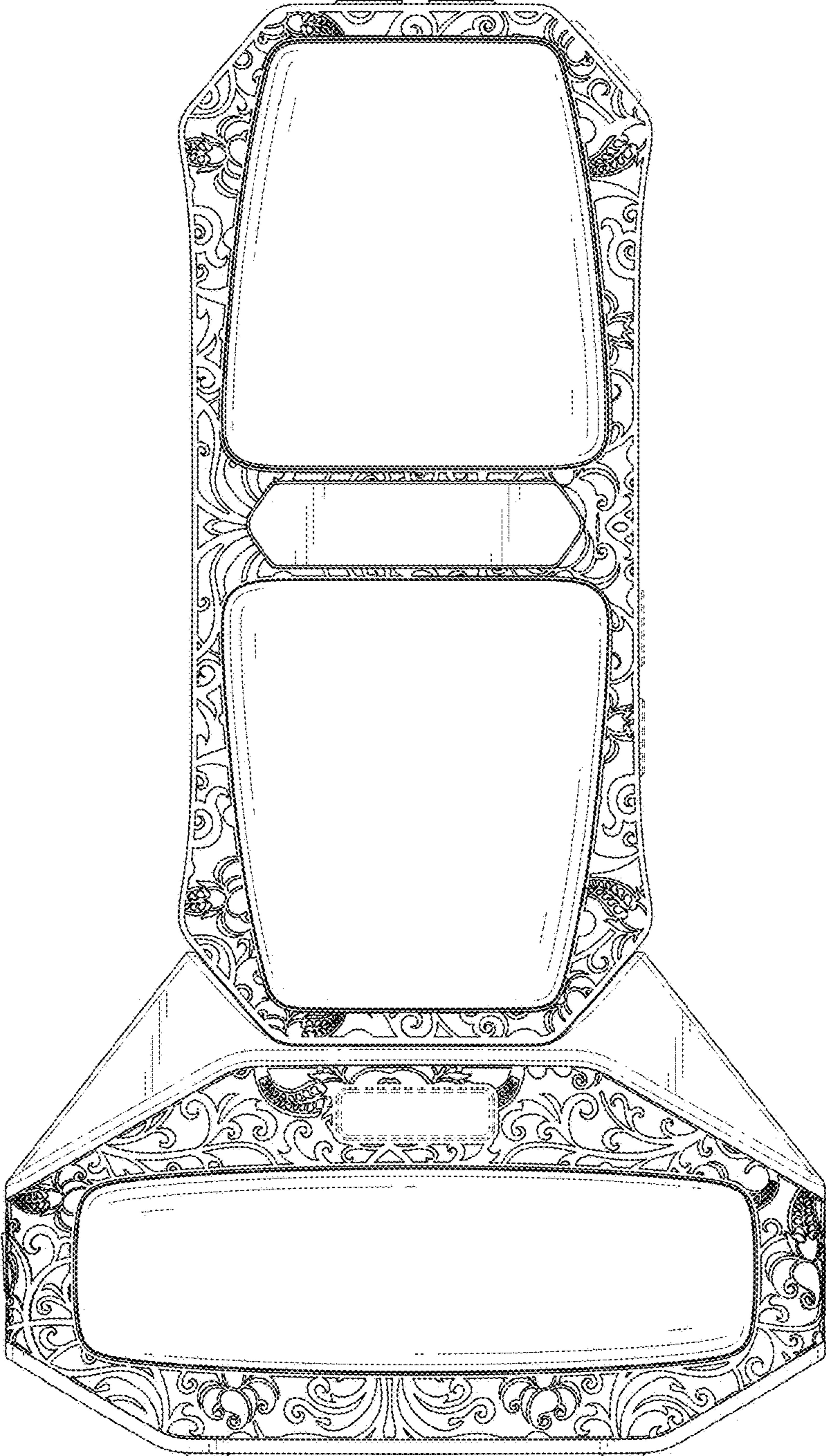


FIG. 2

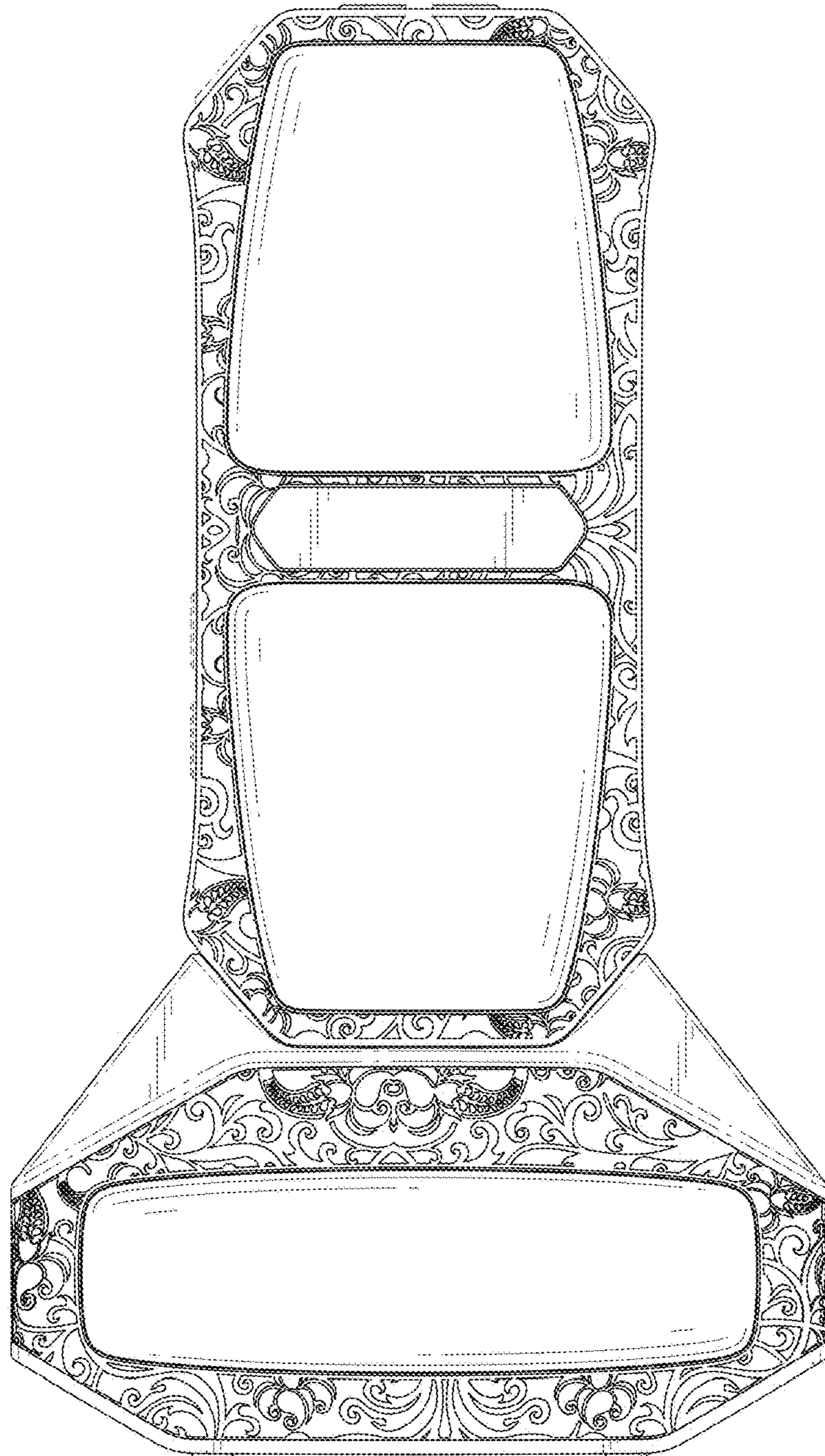


FIG. 3

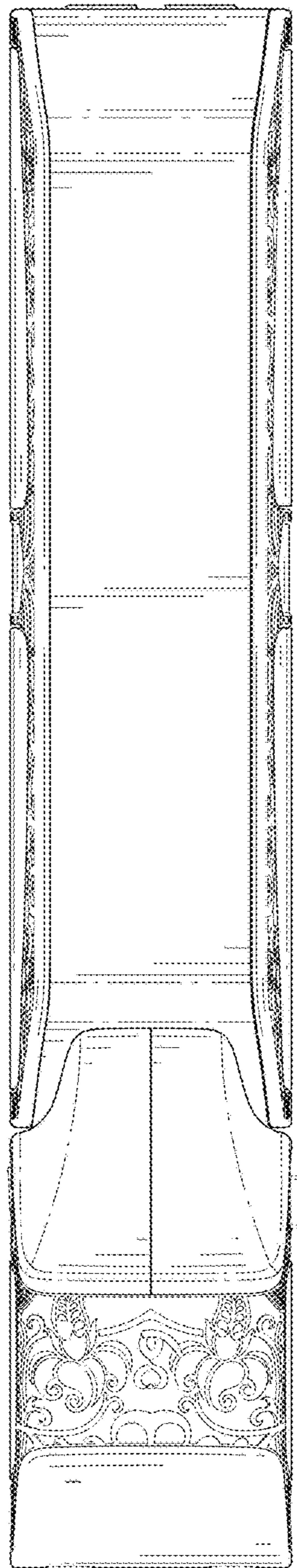


FIG. 4

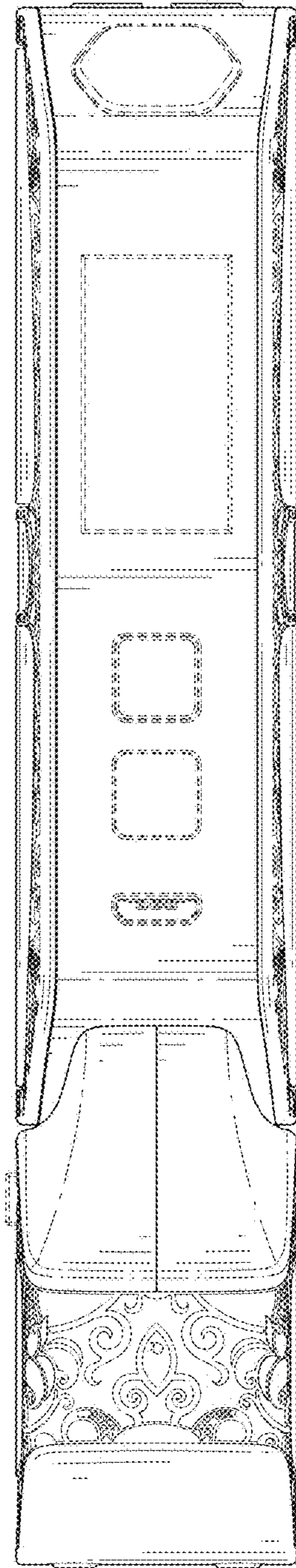


FIG. 5

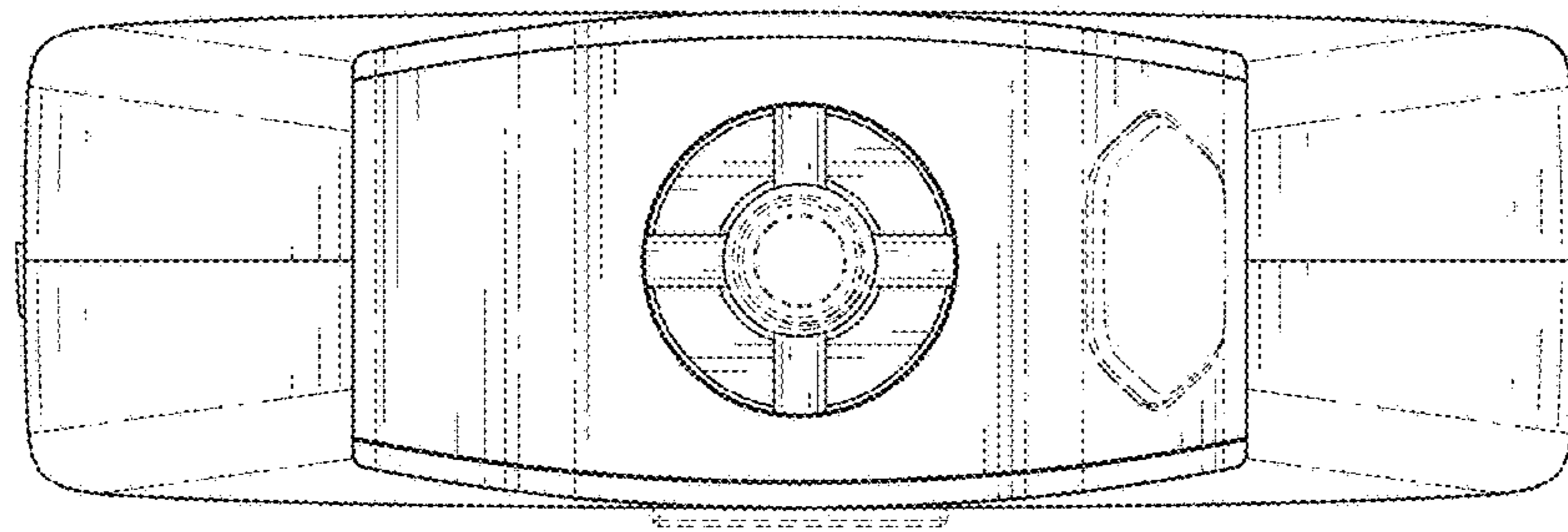


FIG. 6

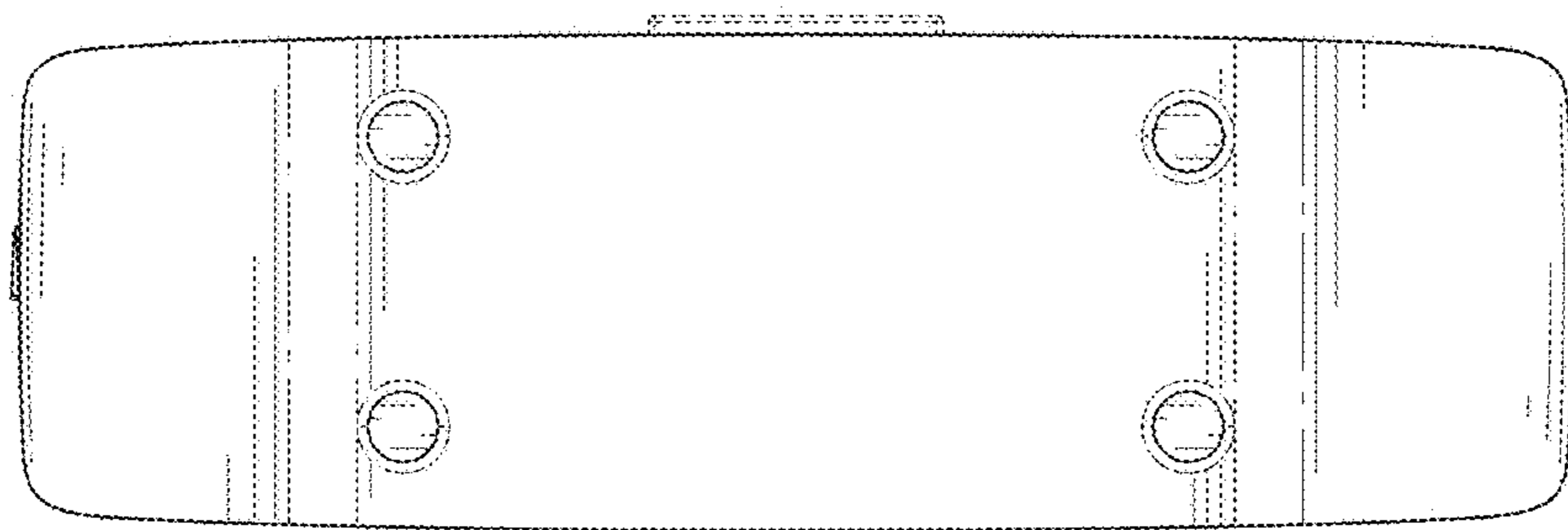


FIG. 7