



US00D834744S

(12) **United States Design Patent** (10) **Patent No.:** **US D834,744 S**
Zhu (45) **Date of Patent:** **** Nov. 27, 2018**

(54) **ELECTRONIC CIGARETTE**
(71) Applicant: **Xiaochun Zhu**, Shenzhen (CN)
(72) Inventor: **Xiaochun Zhu**, Shenzhen (CN)
(73) Assignee: **SHENZHEN KANGER TECHNOLOGY CO., LTD.**, Shenzhen (CN)

(**) Term: **15 Years**
(21) Appl. No.: **29/572,298**
(22) Filed: **Jul. 26, 2016**
(51) **LOC (11) Cl.** **27-01**
(52) **U.S. Cl.**
USPC **D27/101**
(58) **Field of Classification Search**
USPC D28/101, 102, 106, 108, 163, 165, 169,
D28/172, 174, 175, 183, 186-190, 193,
D28/195, 131, 141, 142, 152, 153, 160;
D9/774, 767, 763, 772, 777, 778, 414,
D9/428, 429; D24/110; 131/273, 274,
131/191, 328-330, 203.12
CPC A24F 15/08; A24F 15/00; A24F 47/002;
A24F 47/004; A24F 47/006; A24F
47/008; A61M 15/06
See application file for complete search history.

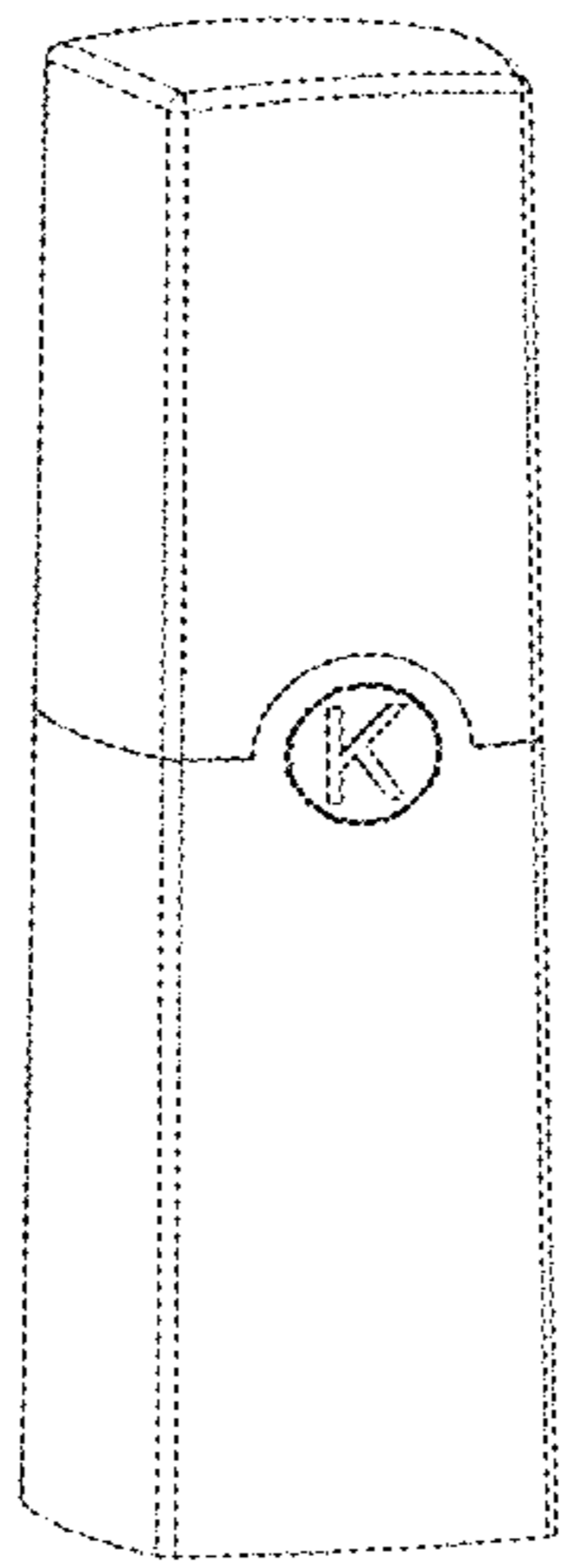
(56) **References Cited**
U.S. PATENT DOCUMENTS
6,615,840 B1 * 9/2003 Fournier A24D 1/02
131/194
D706,976 S * 6/2014 Wu D27/189
D725,310 S * 3/2015 Eksouzian D27/101
8,973,587 B2 * 3/2015 Liu A24F 47/008
131/273
D736,455 S * 8/2015 Liu D27/189
D758,649 S * 6/2016 Liu D27/101
(Continued)

Primary Examiner — Susan Bennett Hattan
Assistant Examiner — Rebecca Tsehaye
(74) *Attorney, Agent, or Firm* — Ming Jiang; MM IP Services LLC

(57) **CLAIM**
I claim the ornamental design for an electronic cigarette, as shown and described.

DESCRIPTION
FIG. 1 is a left side, top perspective view of the electronic cigarette with a cover on;
FIG. 2 is a left side, top perspective view of the electronic cigarette without the cover;
FIG. 3 is a left side, top perspective view of the cover of the electronic cigarette;
FIG. 4 is a front elevation view of the electronic cigarette with the cover on;
FIG. 5 is a front elevation view of the electronic cigarette without the cover;
FIG. 6 is a rear elevation view of the electronic cigarette with the cover on;
FIG. 7 is a rear elevation view of the electronic cigarette without the cover;
FIG. 8 is a left elevation view of the electronic cigarette with the cover on;
FIG. 9 is a left elevation view of the electronic cigarette without the cover;
FIG. 10 is a right elevation view of the electronic cigarette with the cover on;
FIG. 11 is a right elevation view of the electronic cigarette without the cover;
FIG. 12 is a top plan view of the electronic cigarette with the cover on;
FIG. 13 is a top plan view of the electronic cigarette without the cover; and,
FIG. 14 is a bottom view of the electronic cigarette.
The broken lines in the drawings depict a portion of the electronic cigarette that forms no part of the claimed design.

1 Claim, 7 Drawing Sheets



(56)

References Cited

U.S. PATENT DOCUMENTS

D759,303 S * 6/2016 Afridi D27/101
D771,307 S * 11/2016 Wu D27/101
D778,492 S * 2/2017 Liu D27/101
D780,372 S * 2/2017 Liu D27/101
D784,610 S * 4/2017 Bosch D27/101
D799,113 S * 10/2017 Qiu D27/101
D799,744 S * 10/2017 Qiu D27/101
9,795,170 B1 * 10/2017 Zhu A24F 47/008
D804,717 S * 12/2017 Wang D27/101

* cited by examiner

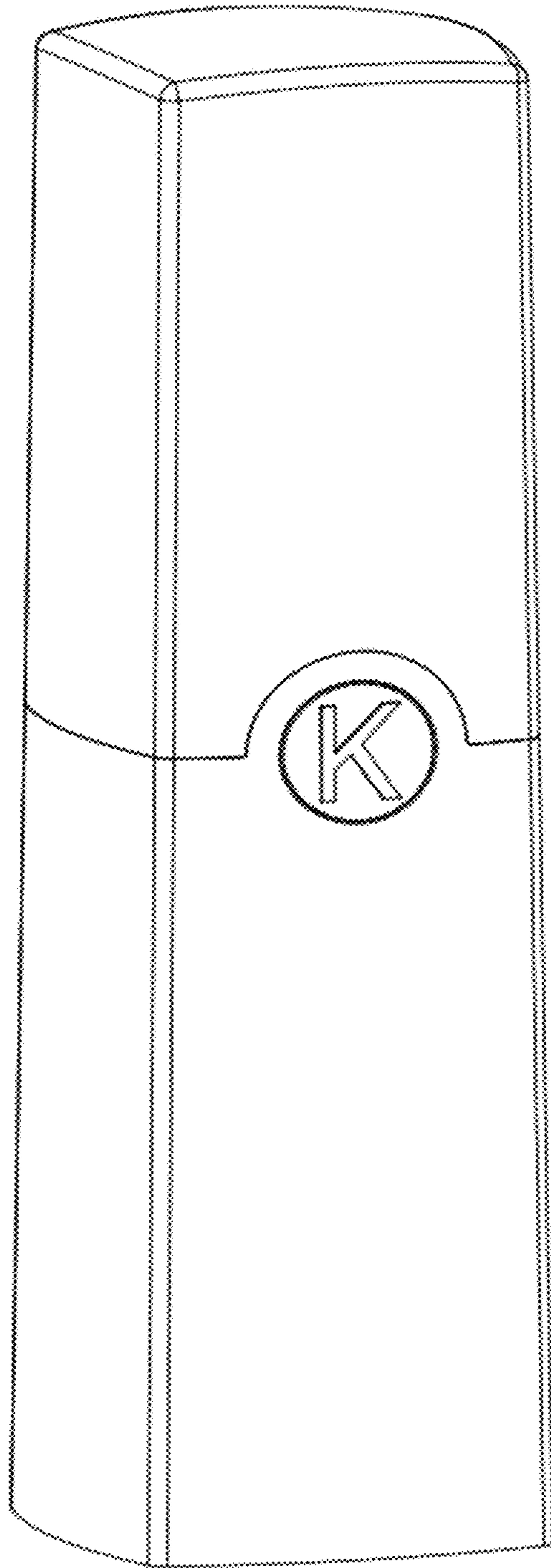


FIG. 1

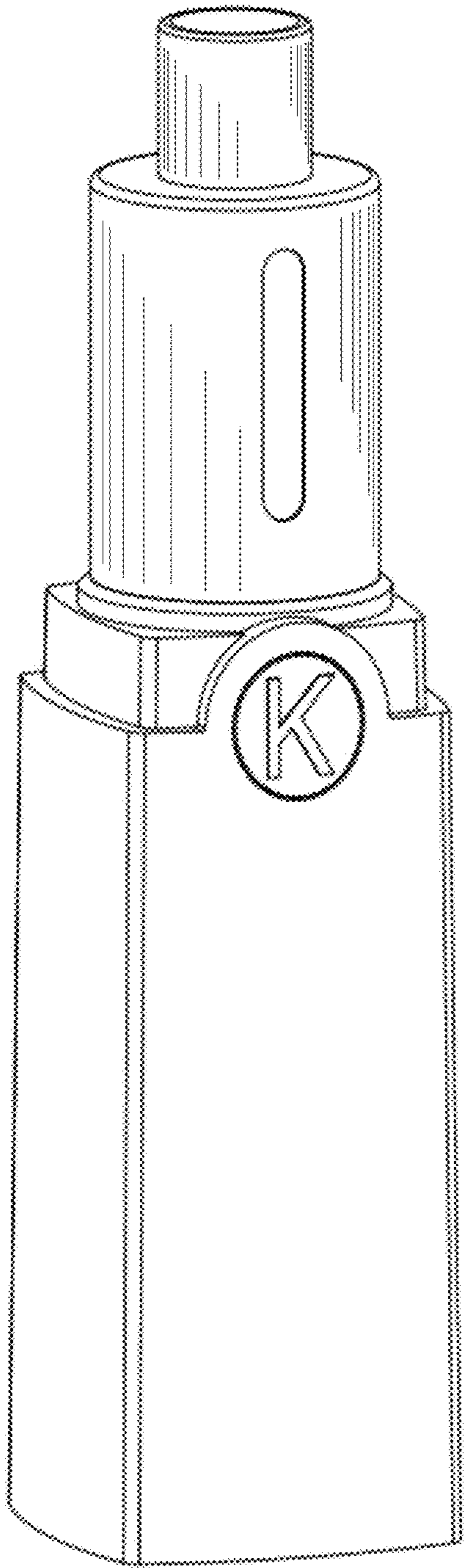


FIG. 2

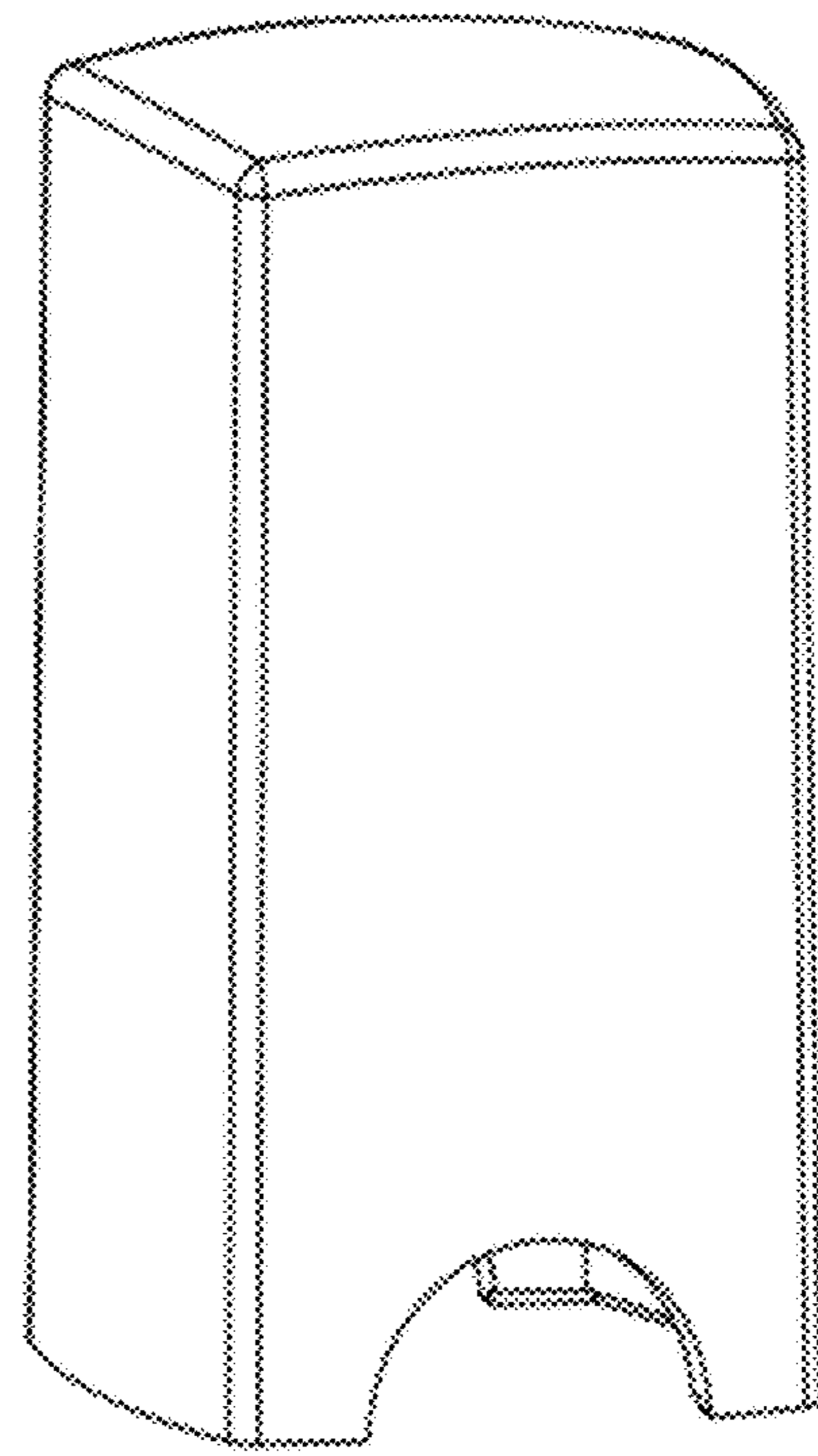


FIG. 3

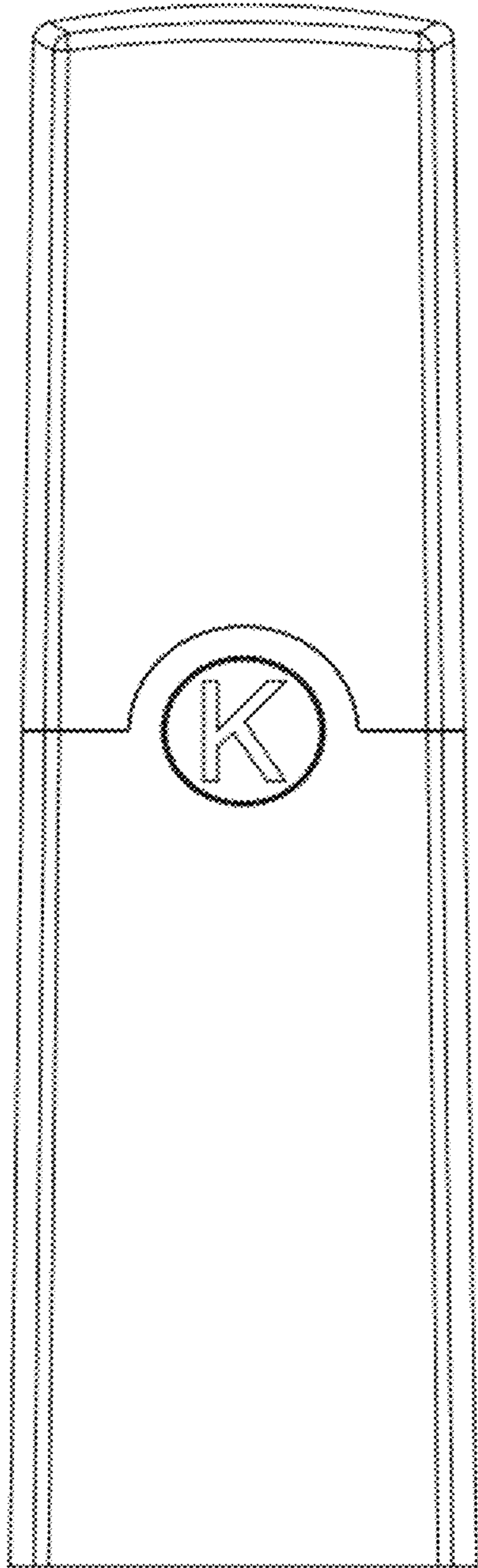


FIG. 4

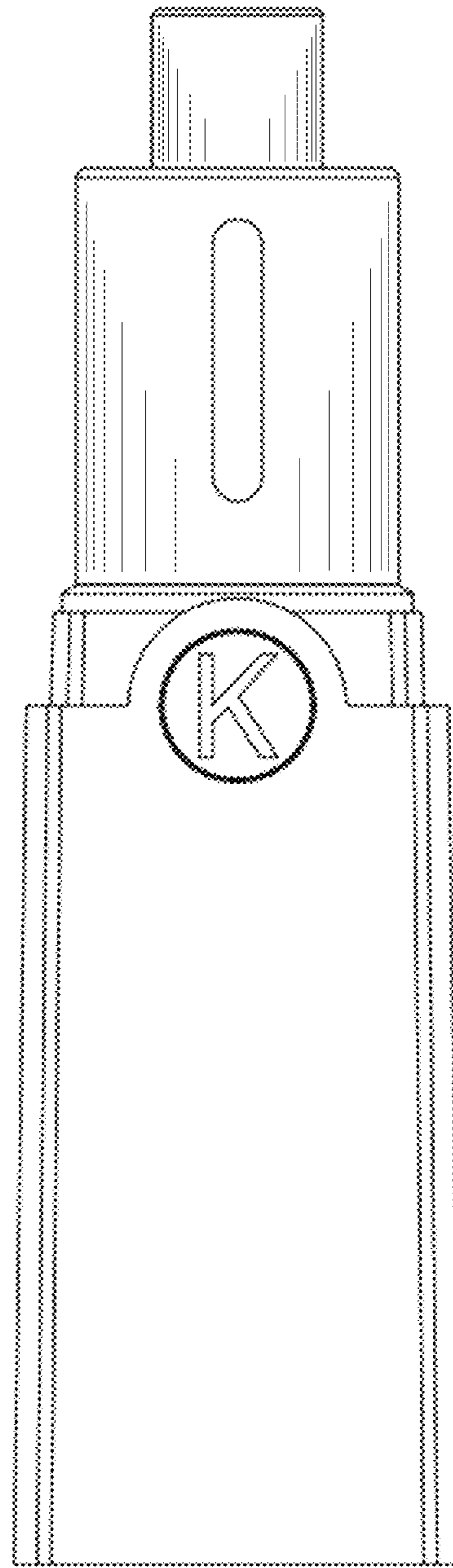


FIG. 5

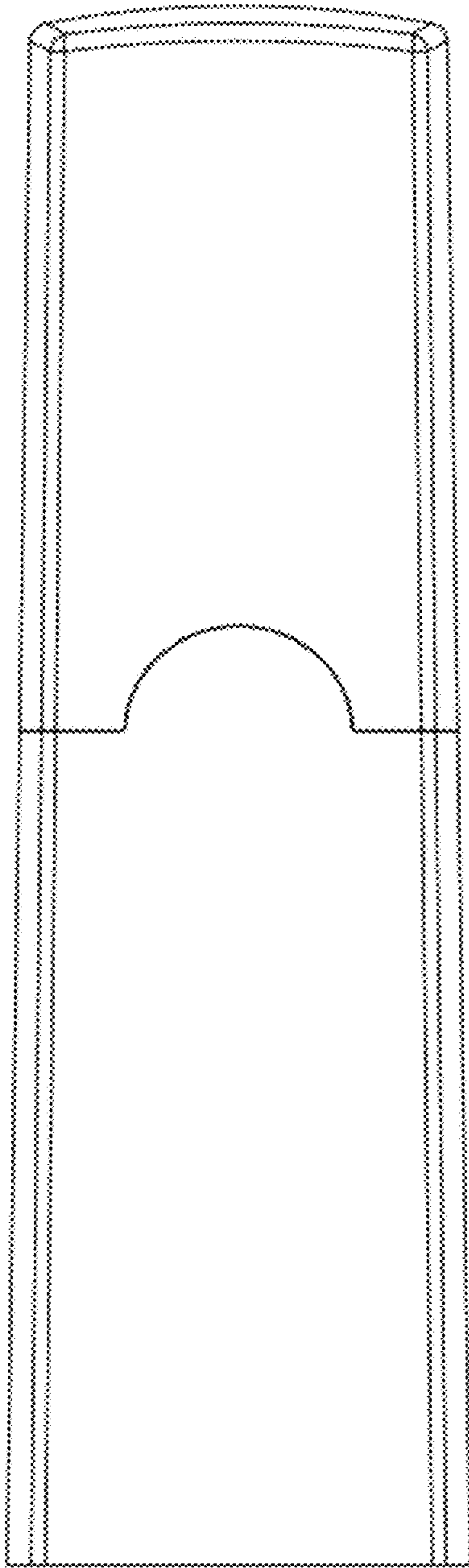


FIG. 6

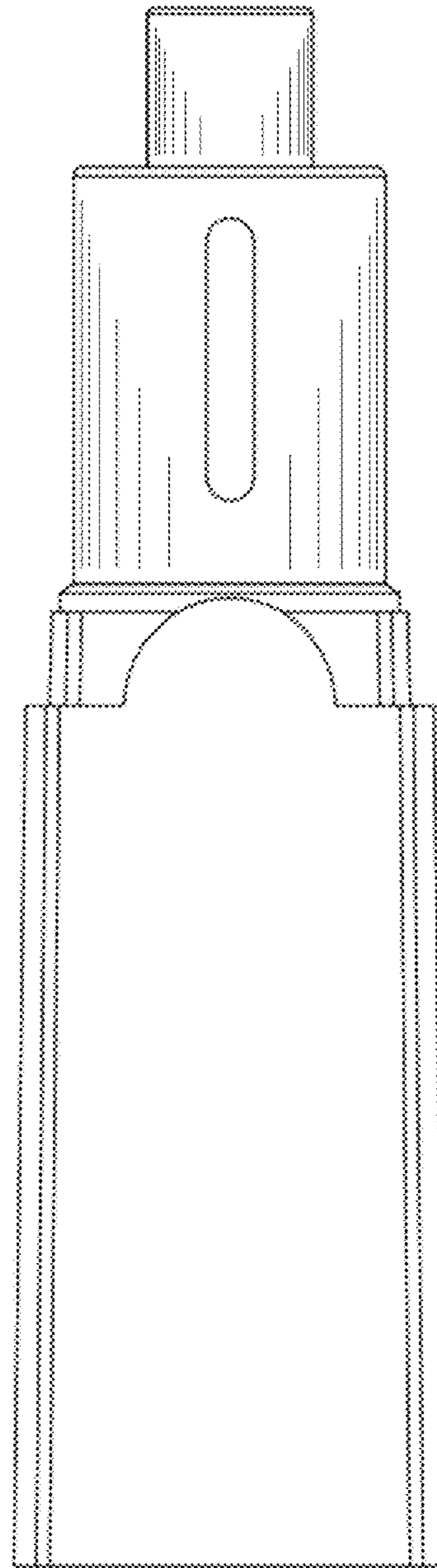


FIG. 7

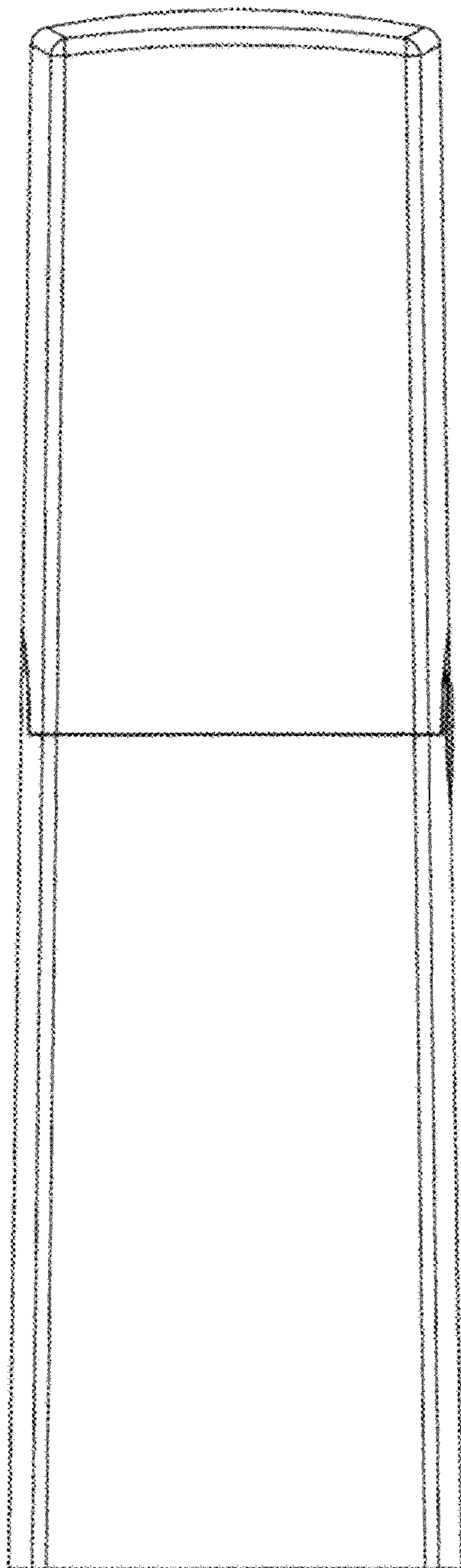


FIG. 8

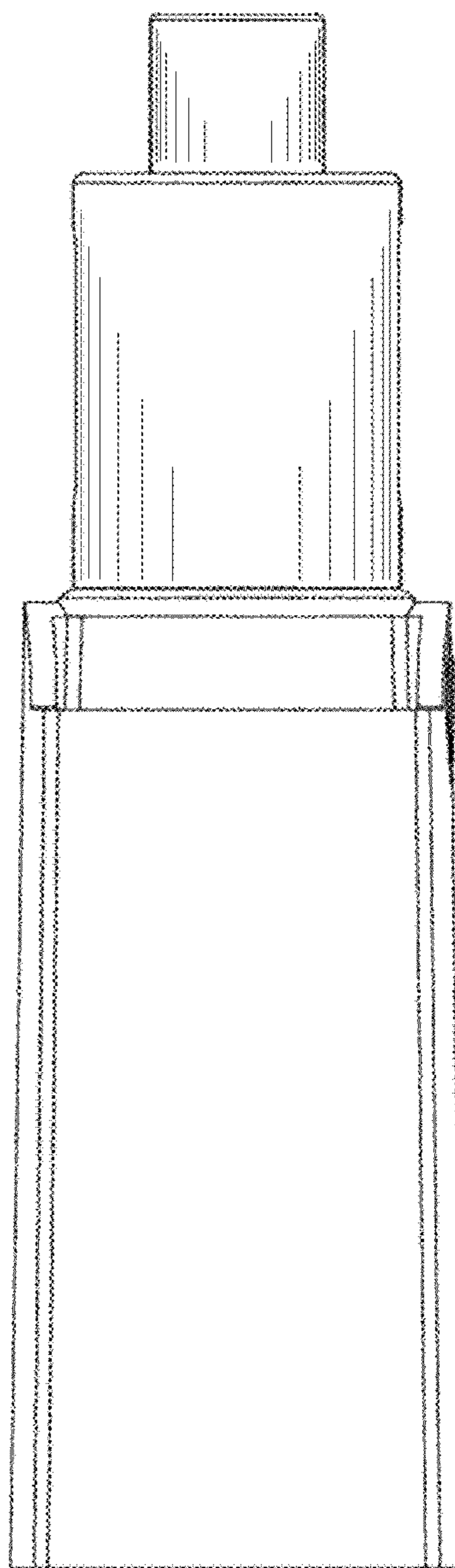


FIG. 9

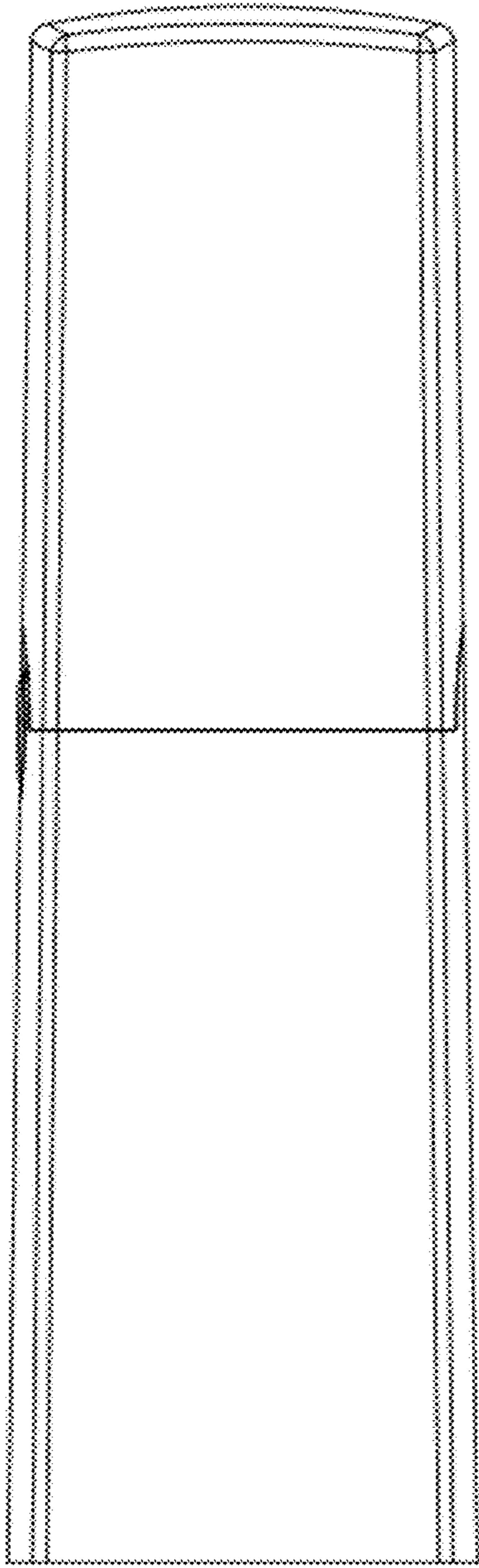


FIG. 10

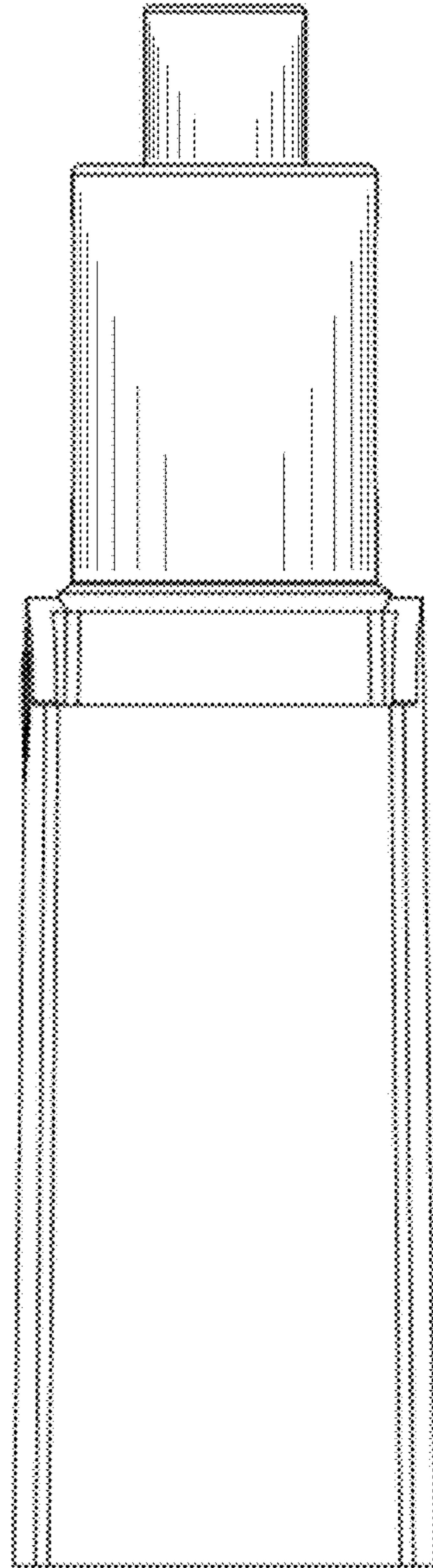


FIG. 11

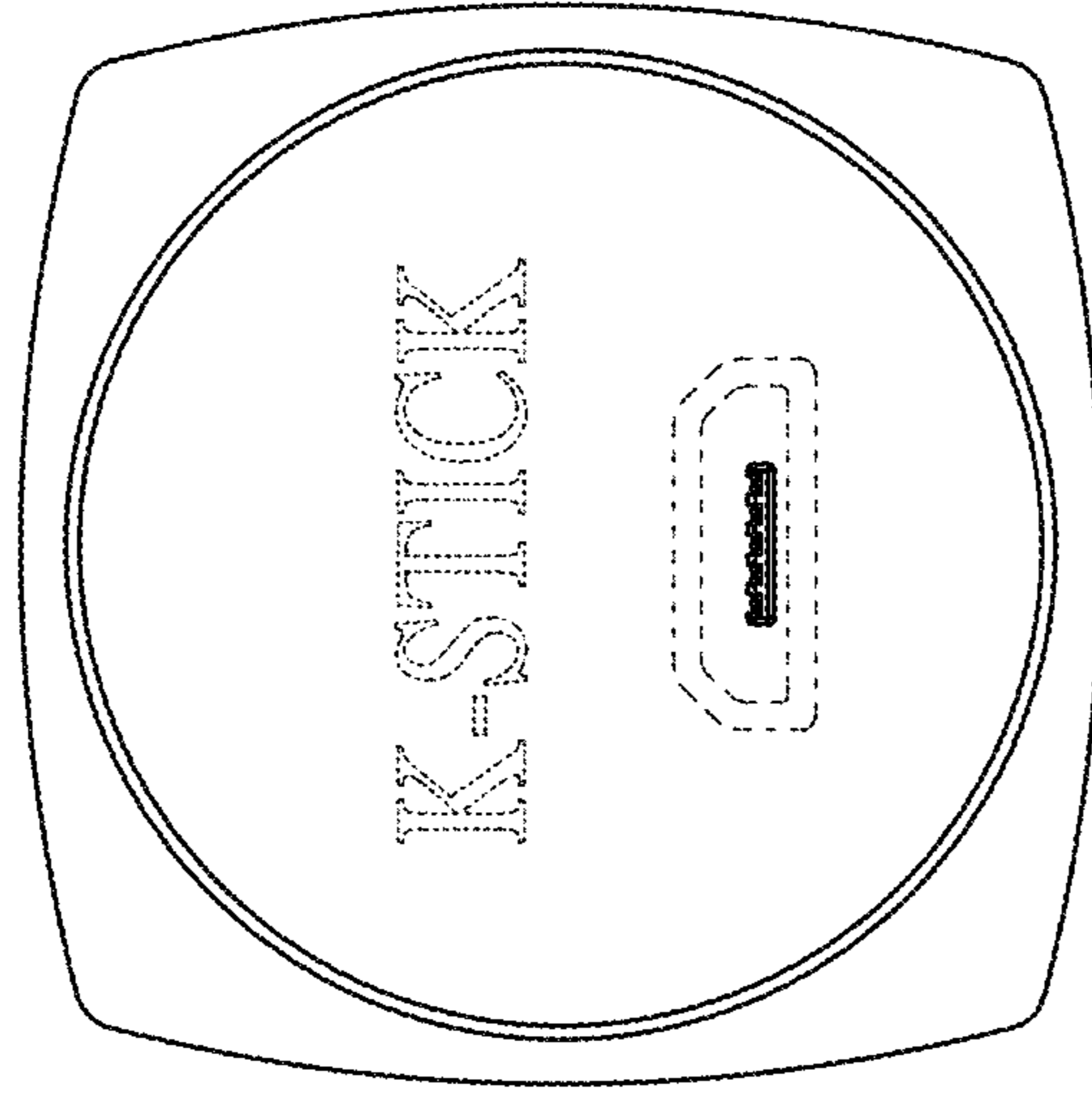


FIG. 12

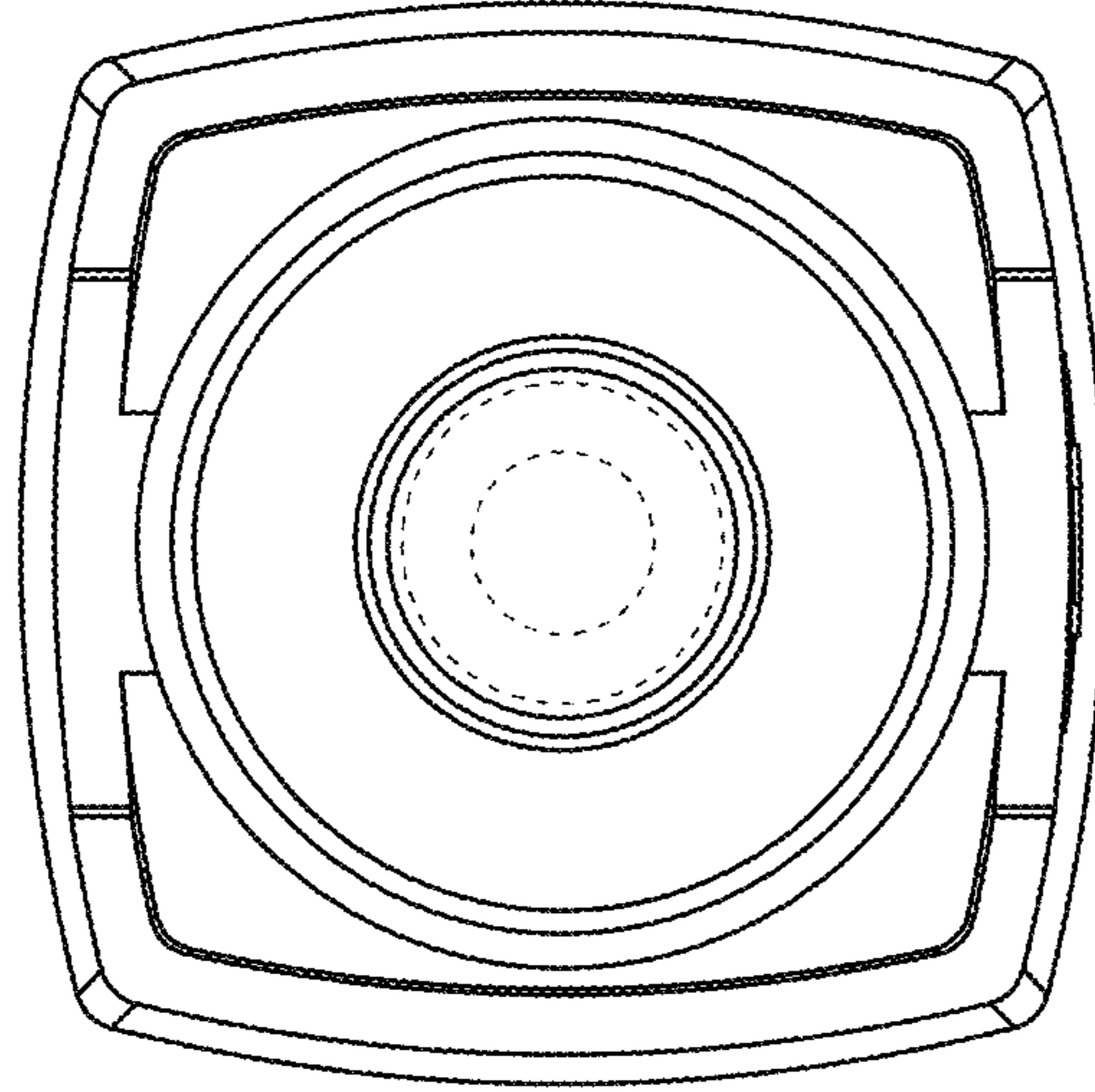


FIG. 13

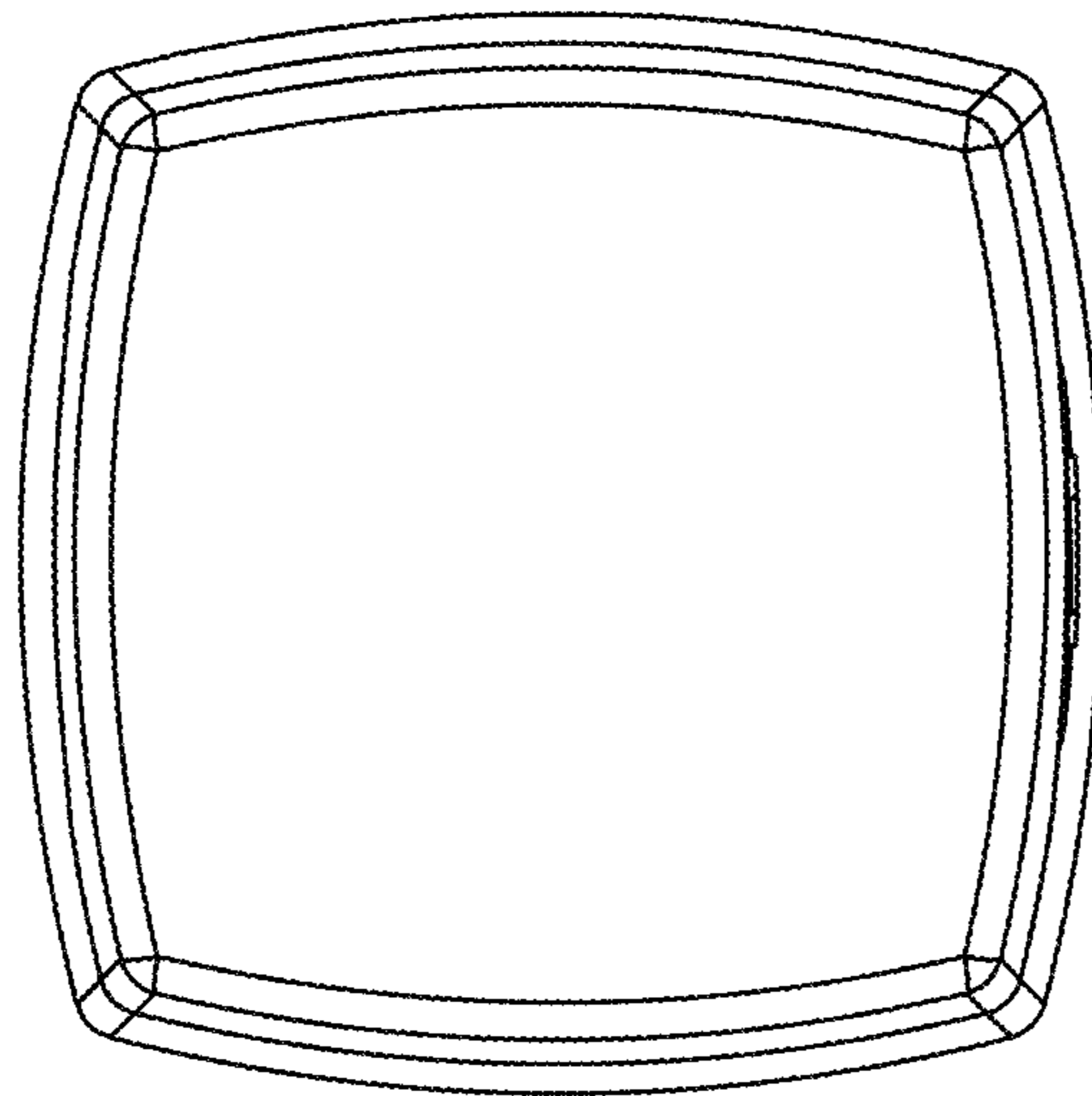


FIG. 14