



US00D834742S

(12) **United States Design Patent** (10) **Patent No.:** **US D834,742 S**  
**Miyawaki et al.** (45) **Date of Patent:** **\*\* Nov. 27, 2018**

(54) **BASE FOR A WORKLIGHT**

- (71) Applicant: **IRIS OHYAMA INC.**, Sendai-shi, Miyagi (JP)  
(72) Inventors: **Masayuki Miyawaki**, Kakuda (JP); **Shohei Tokoi**, Kakuda (JP)  
(73) Assignee: **IRIS OHYAMA INC.**, Sendai-shi (JP)  
(\*\*) Term: **15 Years**  
(21) Appl. No.: **29/629,617**  
(22) Filed: **Dec. 14, 2017**

(30) **Foreign Application Priority Data**

- Jun. 23, 2017 (JP) ..... 2017-013612  
(51) **LOC (11) Cl.** ..... **26-05**  
(52) **U.S. Cl.**  
USPC ..... **D26/142**  
(58) **Field of Classification Search**  
USPC .... D26/138, 142, 155, 60, 152, 154, 74, 75, D26/76-86, 88, 90, 113, 118  
CPC ..... F21S 2/00; F21S 4/00; F21S 4/003; F21S 4/005; F21S 4/006; F21S 6/00; F21S 8/00; F21S 8/024  
See application file for complete search history.

(56) **References Cited**

**U.S. PATENT DOCUMENTS**

D300,874 S *	4/1989	Szymanek	.....	D26/76
D404,160 S *	1/1999	Herst	.....	D26/76
D432,697 S *	10/2000	Fahmian	.....	D26/76
D433,524 S *	11/2000	Szymanek	.....	D26/76
D435,131 S *	12/2000	Szymanek	.....	D26/75
D470,966 S *	2/2003	Rhee	.....	D26/76
D545,477 S *	6/2007	DeBruyne	.....	D26/76
D622,441 S *	8/2010	Warner	.....	D26/138
D717,482 S *	11/2014	Jarnagin	.....	D26/51

**OTHER PUBLICATIONS**

An Office Action; "Notice of Allowance", issued by the Japanese Patent Office on Oct. 10, 2017, which corresponds to Japanese Design Application No. 2017-013612; with English language Concise Explanation.  
Harmony Lighting; p. 169; Q-3; (Japan Patent Office Design Patent Department, publicly known reference No. HC18000315).

\* cited by examiner

*Primary Examiner* — Mark A Goodwin

*Assistant Examiner* — Benjamin M Weeks

(74) *Attorney, Agent, or Firm* — Studebaker & Brackett PC

(57) **CLAIM**

The ornamental design for a base for a worklight, as shown and described.

**DESCRIPTION**

FIG. 1 is a front, top and right-side perspective view of a base for a worklight showing our new design;  
FIG. 2 is a front view thereof;  
FIG. 3 is a rear view thereof;  
FIG. 4 is a top view thereof;  
FIG. 5 is a bottom view thereof;  
FIG. 6 is a right-side view thereof;  
FIG. 7 is a left-side view thereof;  
FIG. 8 is a cross-sectional view taken along line 8-8 in FIG. 2;  
FIG. 9 is a cross-sectional view taken along line 9-9 in FIG. 4; and,  
FIG. 10 is an in-use, front, top and right-side perspective view thereof, in which the portion where the oblique lines are shown is at least translucent and may be transparent.  
The broken lines shown represent unclaimed subject matter of the base for a worklight and form no part of the claimed design.

**1 Claim, 7 Drawing Sheets**

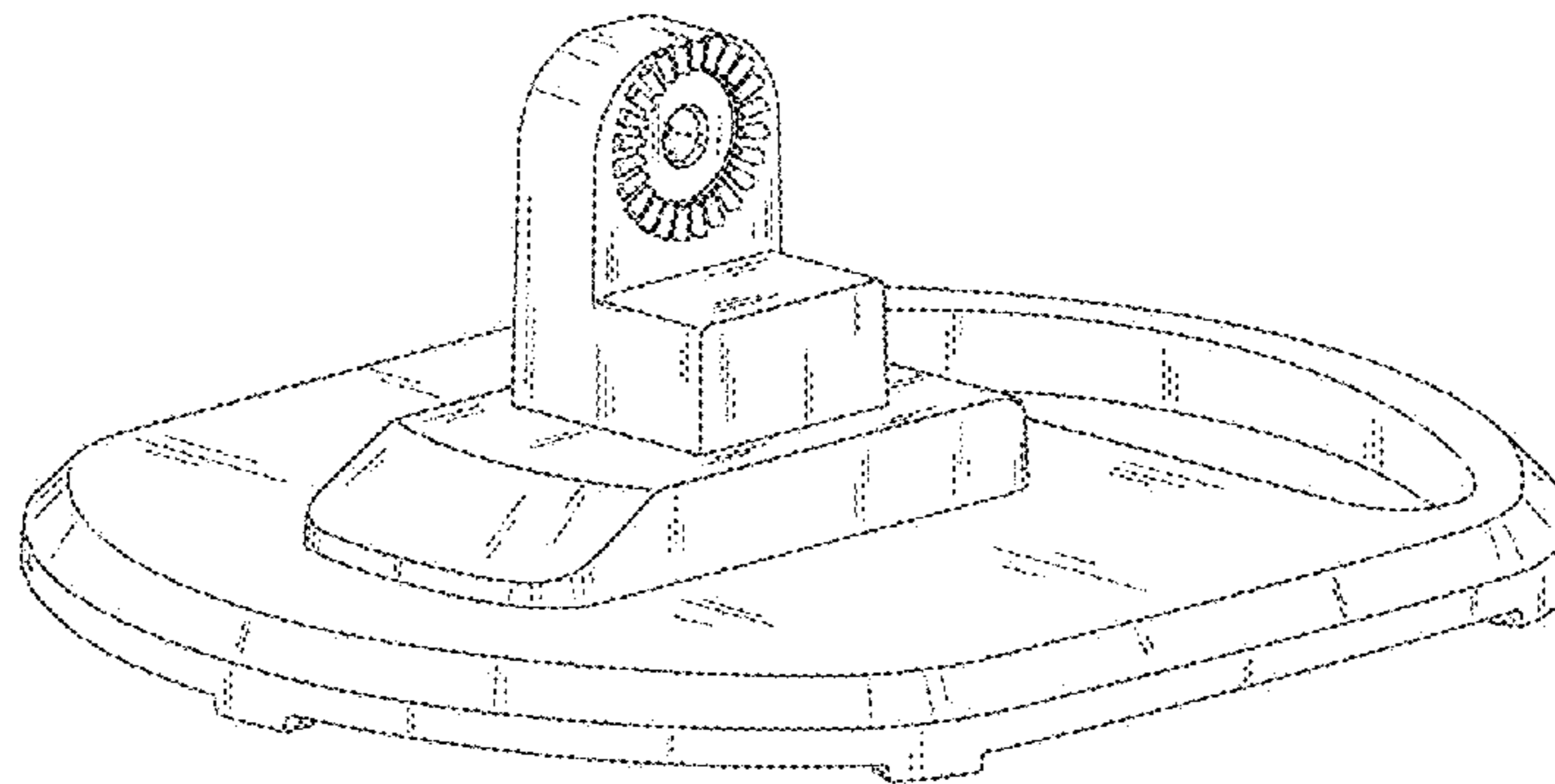


FIG. 1

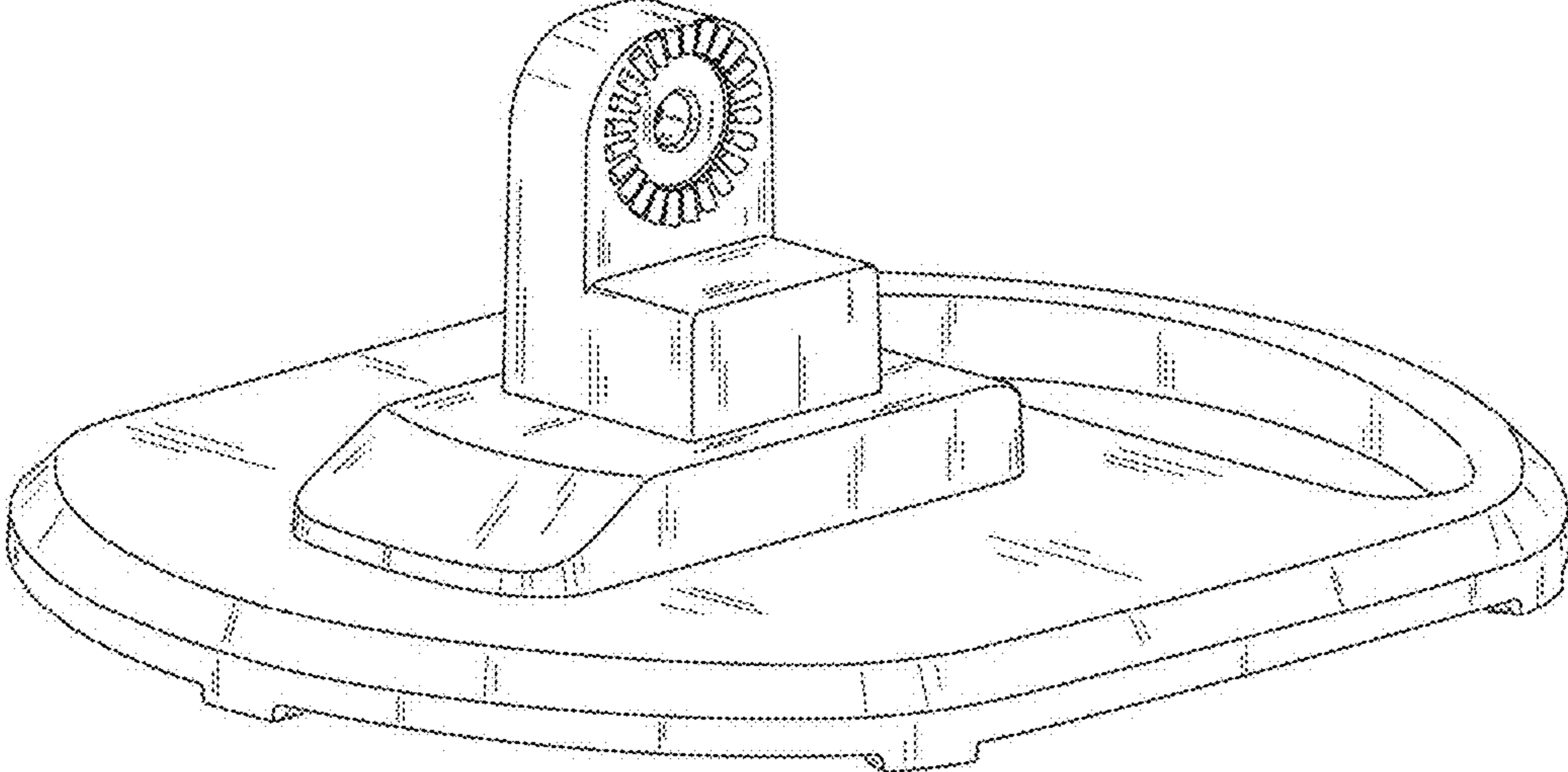


FIG. 2

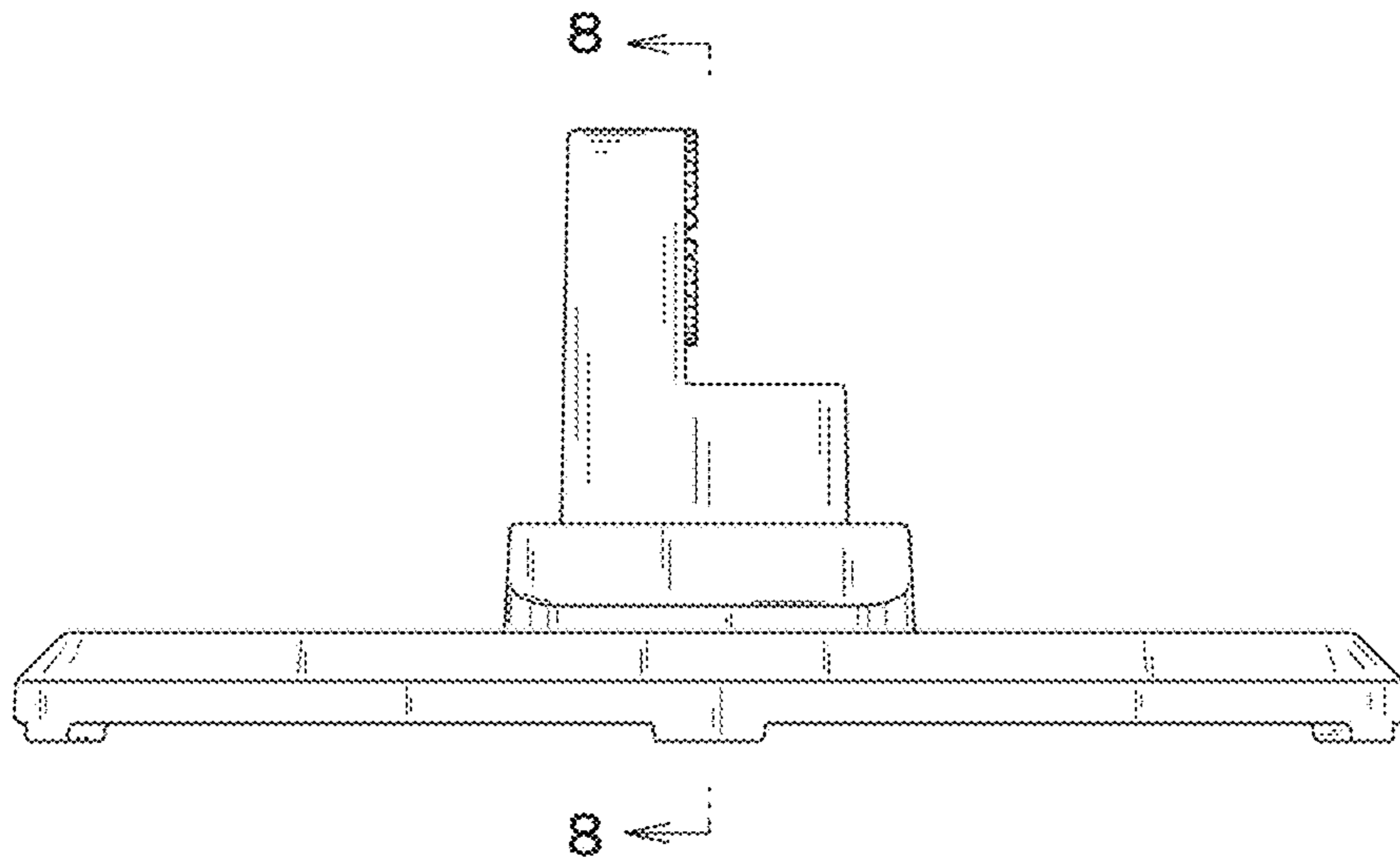


FIG. 3

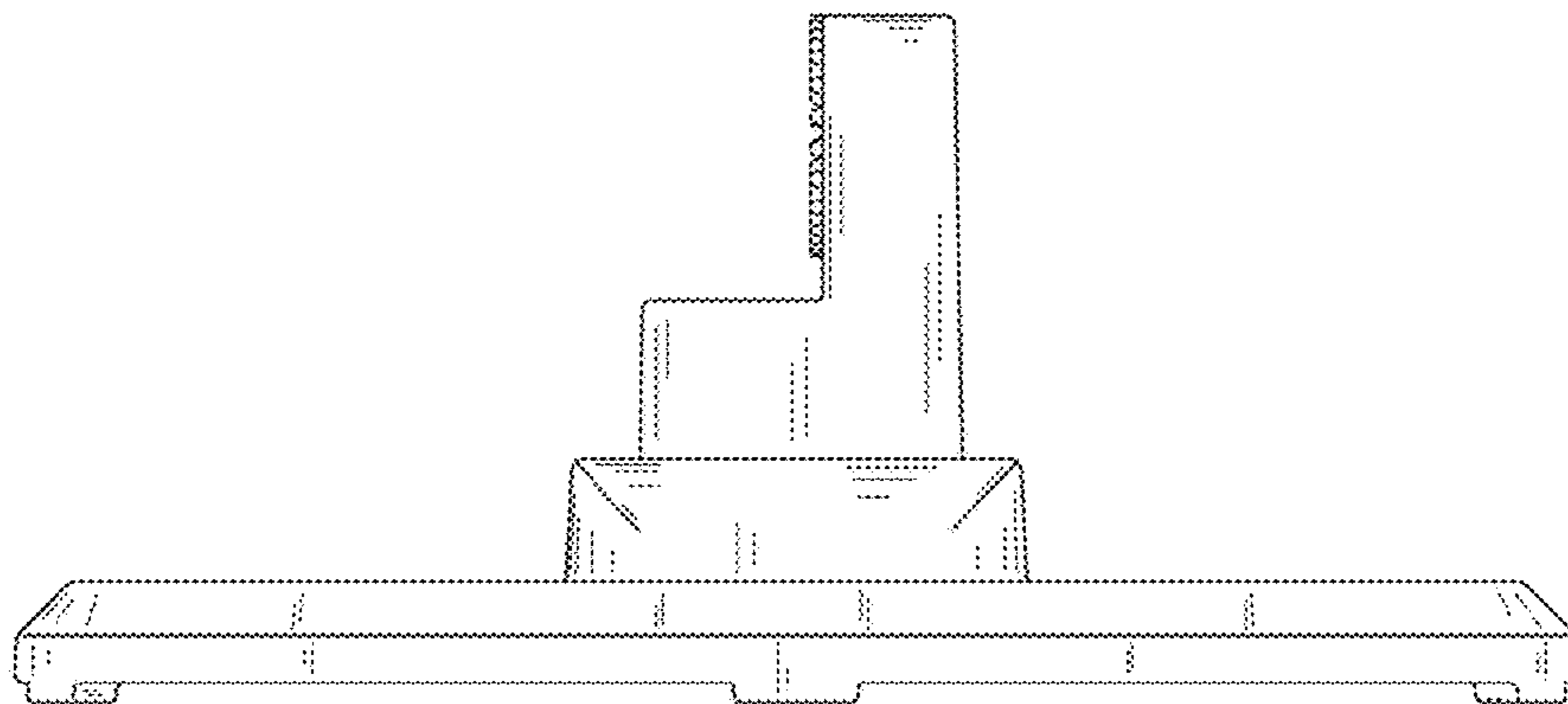


FIG. 4

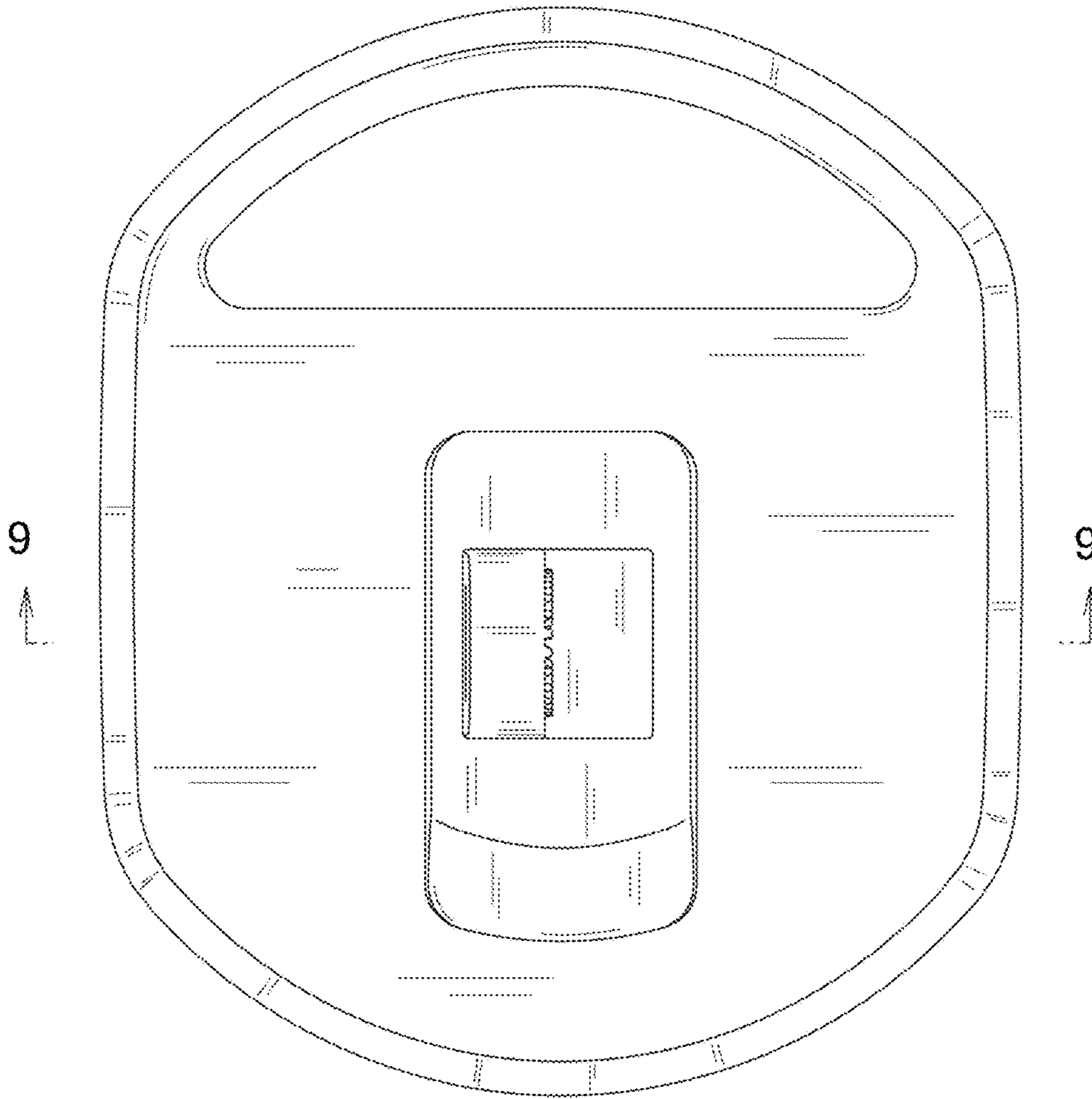


FIG. 5

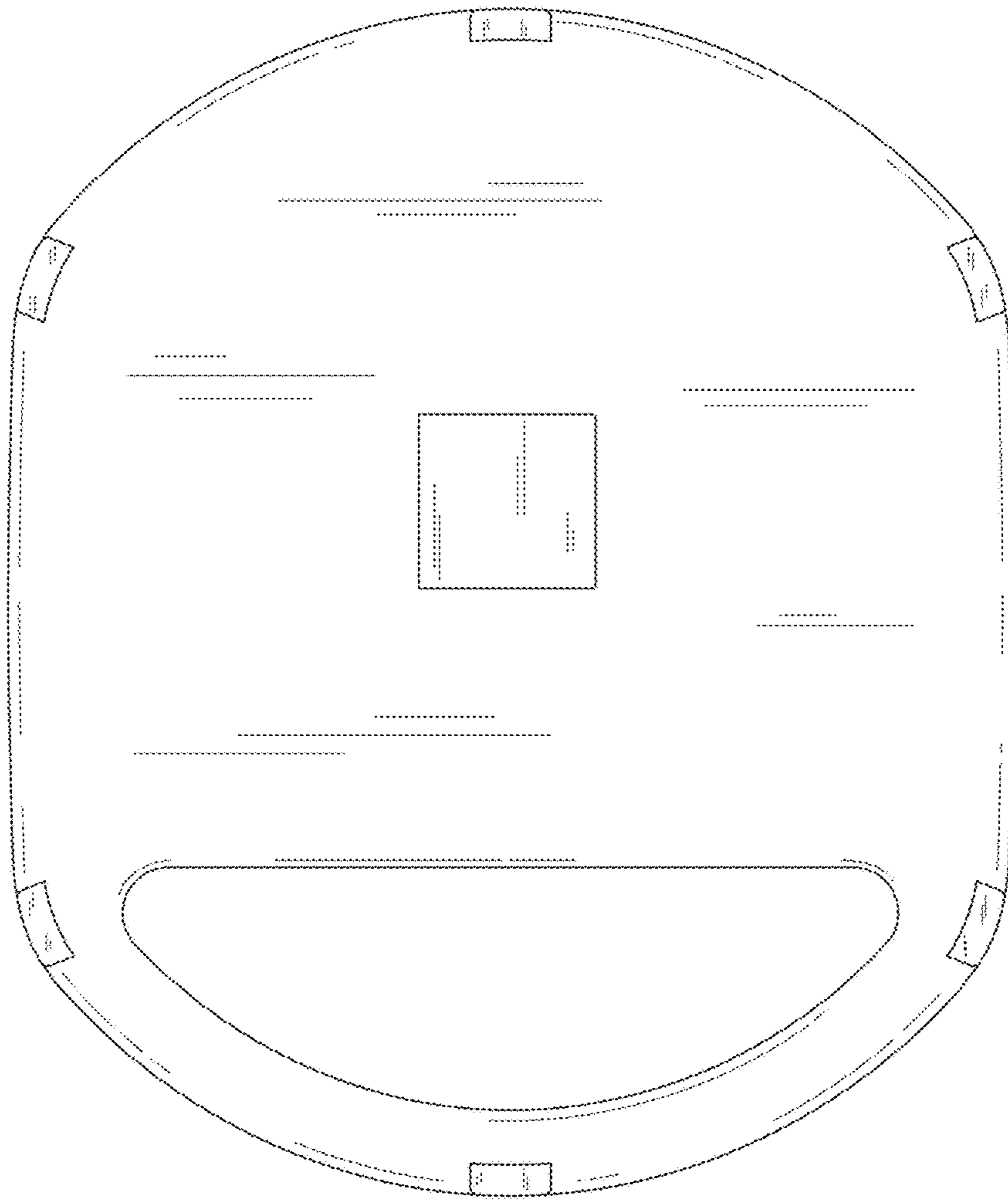


FIG. 6

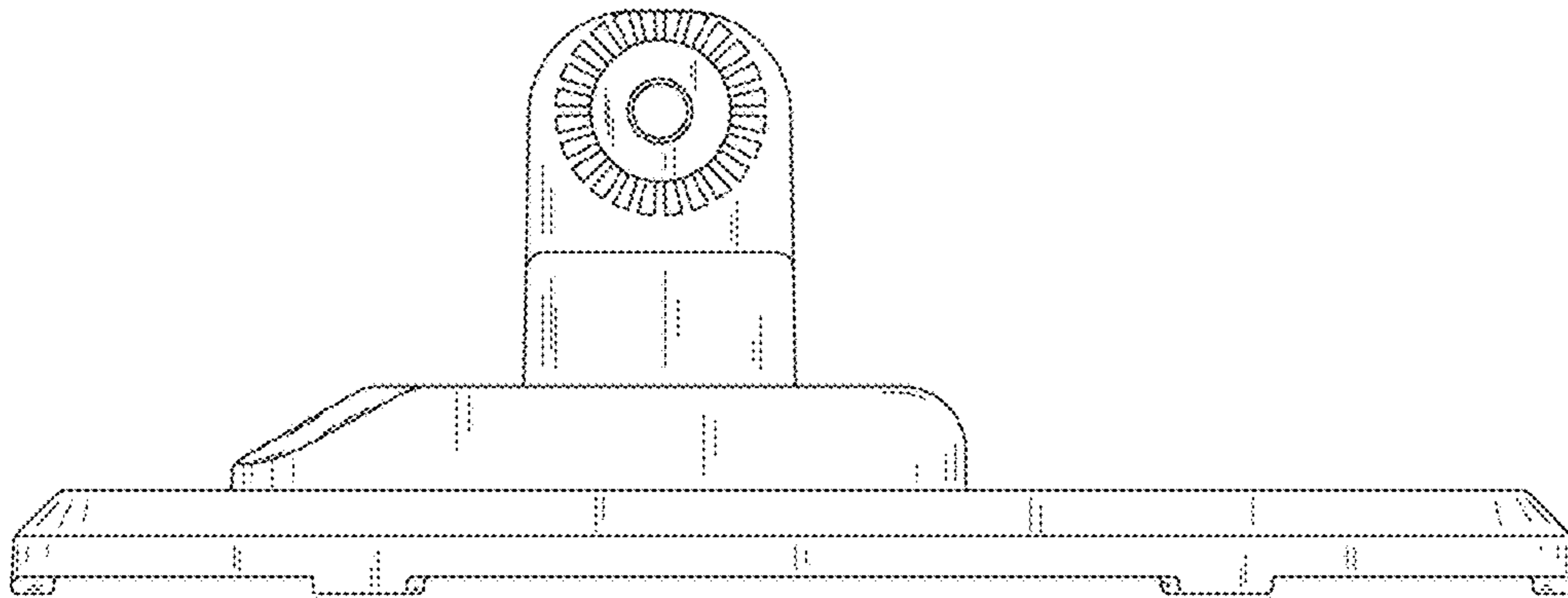


FIG. 7

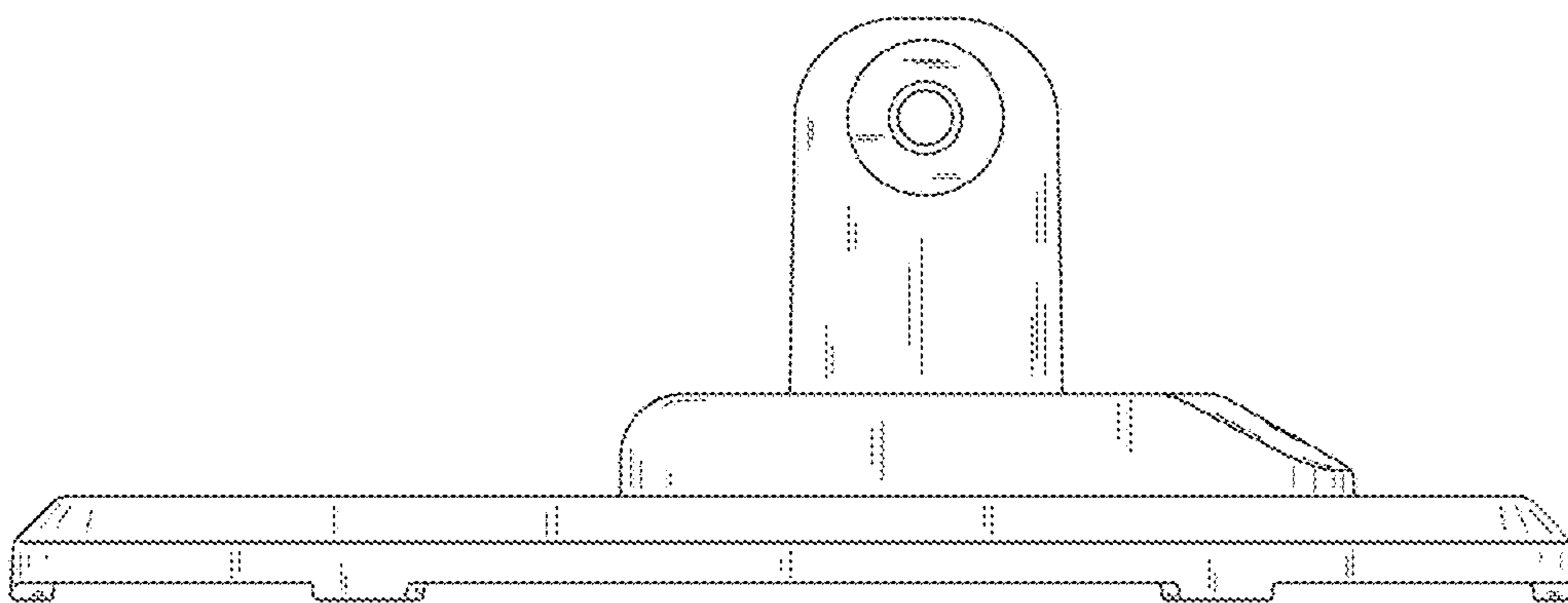




FIG. 8

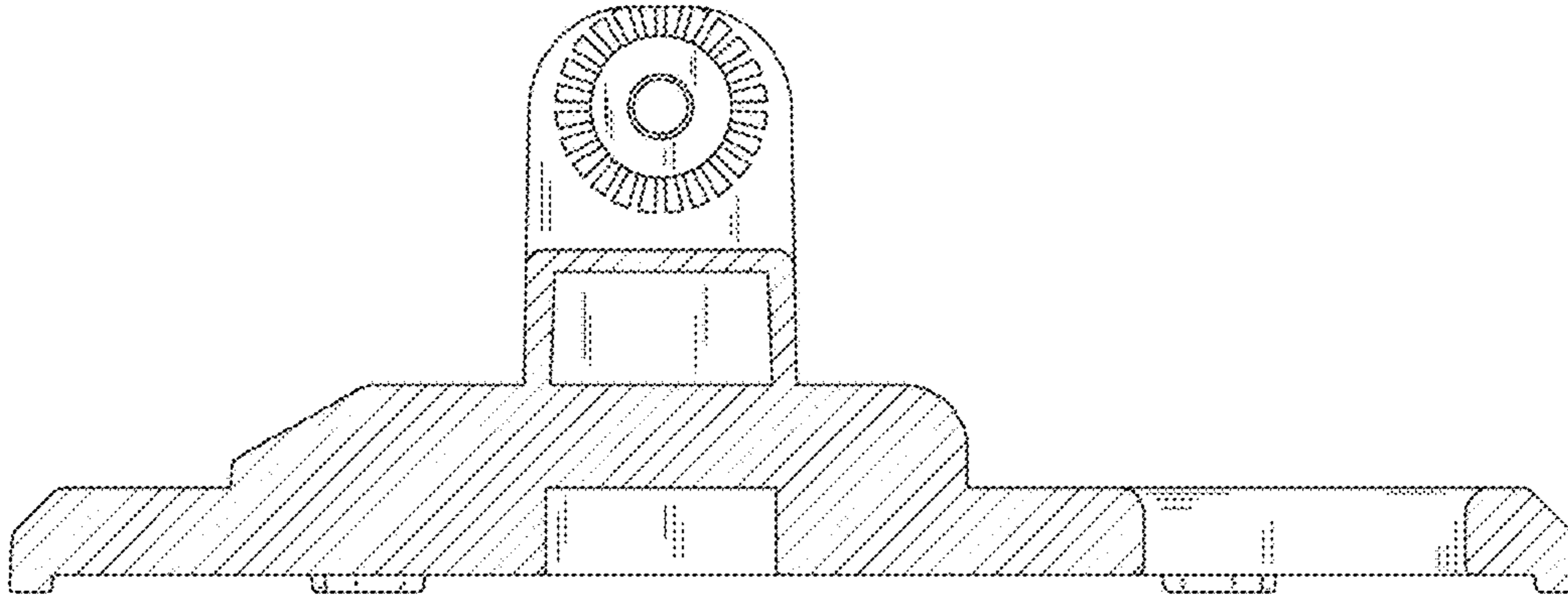


FIG. 9

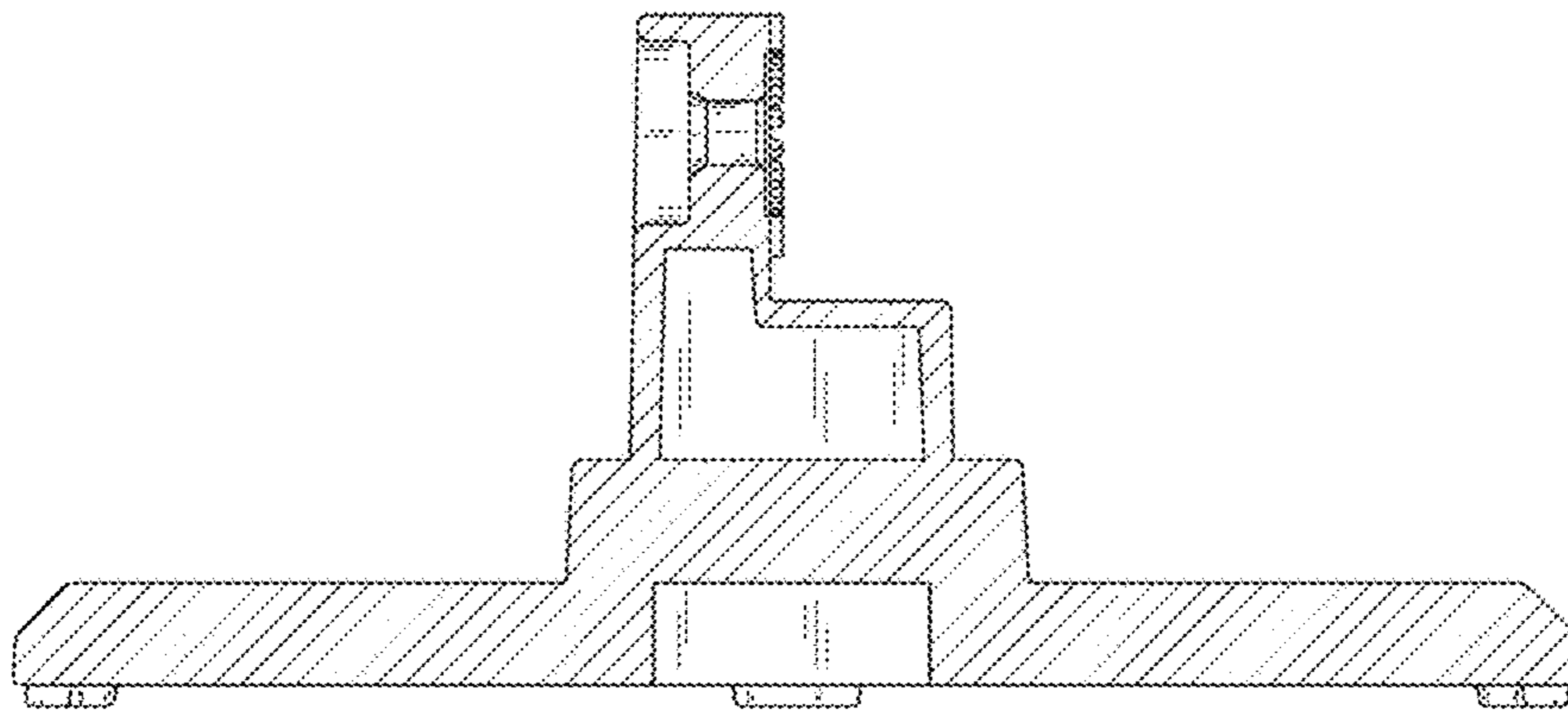


FIG. 10

