



US00D834739S

(12) **United States Design Patent**
Gregory

(10) **Patent No.:** **US D834,739 S**

(45) **Date of Patent:** **** Nov. 27, 2018**

(54) **LIGHTING FIXTURE**

D730,567 S * 5/2015 Lee D26/104
D798,490 S * 9/2017 Haines D26/104
D798,491 S * 9/2017 Kelly D26/104

(71) Applicant: **PHILIPS LIGHTING HOLDING**
B.V., Eindhoven (NL)

* cited by examiner

(72) Inventor: **Dennis Gregory, Eindhoven (NL)**

Primary Examiner — Brian N. Vinson

(73) Assignee: **PHILIPS LIGHTING HOLDING**
B.V., Eindhoven (NL)

(57) **CLAIM**

(**) Term: **15 Years**

The ornamental design for a “lighting fixture,” as shown and described.

(21) Appl. No.: **29/608,963**

DESCRIPTION

(22) Filed: **Jun. 27, 2017**

(51) **LOC (11) Cl.** **26-99**

(52) **U.S. Cl.**
USPC **D26/106**

(58) **Field of Classification Search**
USPC D26/1, 24, 26, 35, 37, 65, 61, 93, 102,
D26/104, 106, 113, 118
CPC F21S 2/00; F21S 9/00; F21S 8/00; F21S
8/02; F21S 8/031; F21S 8/035; F21S
8/037; F21S 4/20; F21V 33/00; F21V
21/005

See application file for complete search history.

(56) **References Cited**

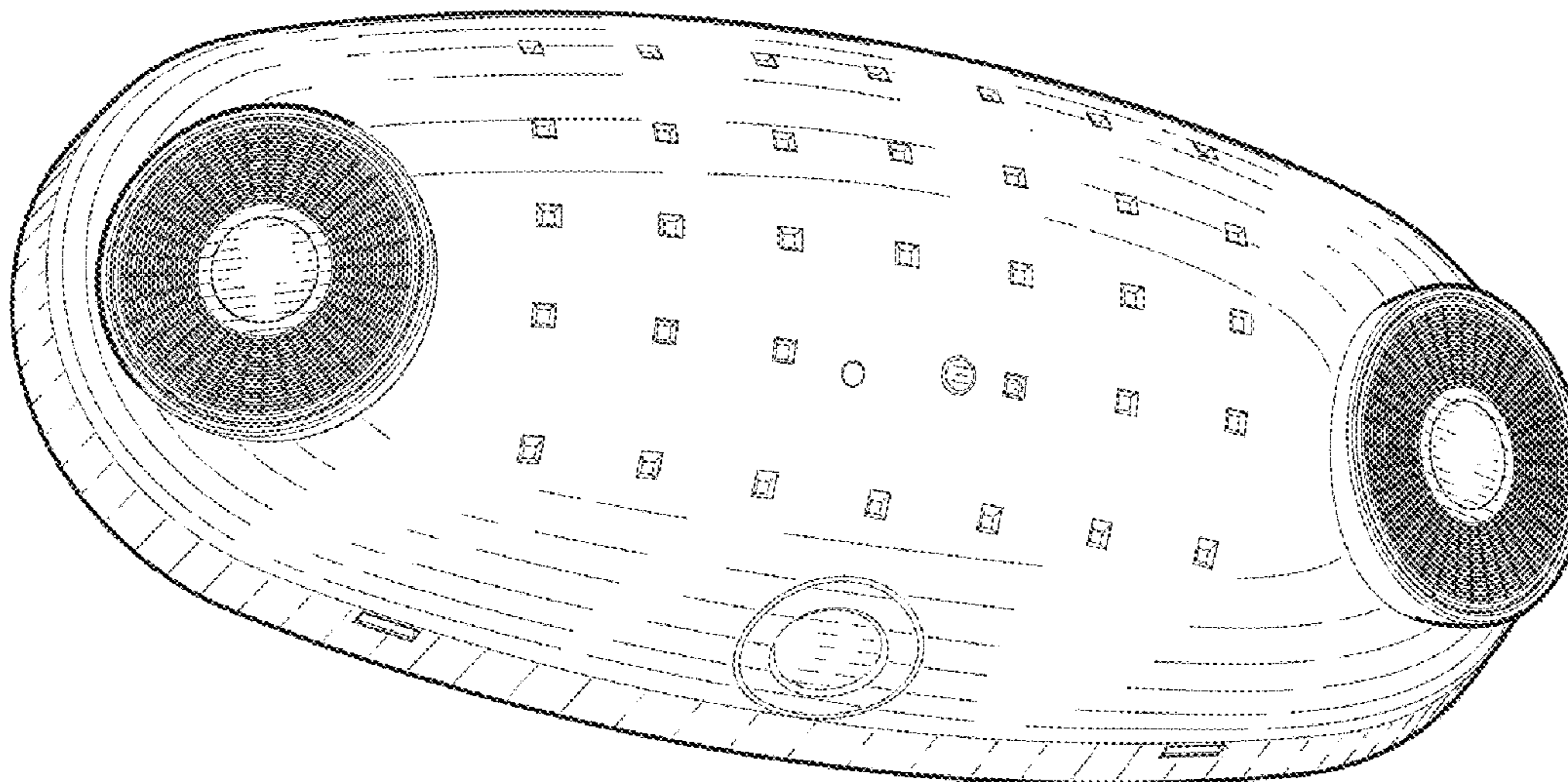
U.S. PATENT DOCUMENTS

D371,857 S * 7/1996 Gismondi D26/37
D425,224 S * 5/2000 Macri D26/35
D523,972 S * 6/2006 Chan D26/26
D607,595 S * 1/2010 Copeland D26/61
D662,641 S * 6/2012 Levine D26/65
D720,090 S * 12/2014 Toomey D26/24

Fig. 1 is a perspective view showing of a lighting fixture showing our new design;
FIG. 2 is a front elevational view thereof;
FIG. 3 is a rear elevational view thereof;
FIG. 4 is a right side elevational view thereof;
FIG. 5 is a left side elevational view thereof;
FIG. 6 is a top plan view thereof;
FIG. 7 is a bottom plan view thereof;
FIG. 8 is a perspective view showing of a lighting fixture showing our new design;
FIG. 9 is a front elevational view thereof;
FIG. 10 is a rear elevational view thereof;
FIG. 11 is a right side elevational view thereof;
FIG. 12 is a left side elevational view thereof;
FIG. 13 is a top plan view thereof; and,
FIG. 14 is a bottom plan view thereof.

The “lighting fixture” of the present invention may be coupled with one or more power cables or brackets which are depicted in broken lines and form no part of the design.

1 Claim, 8 Drawing Sheets



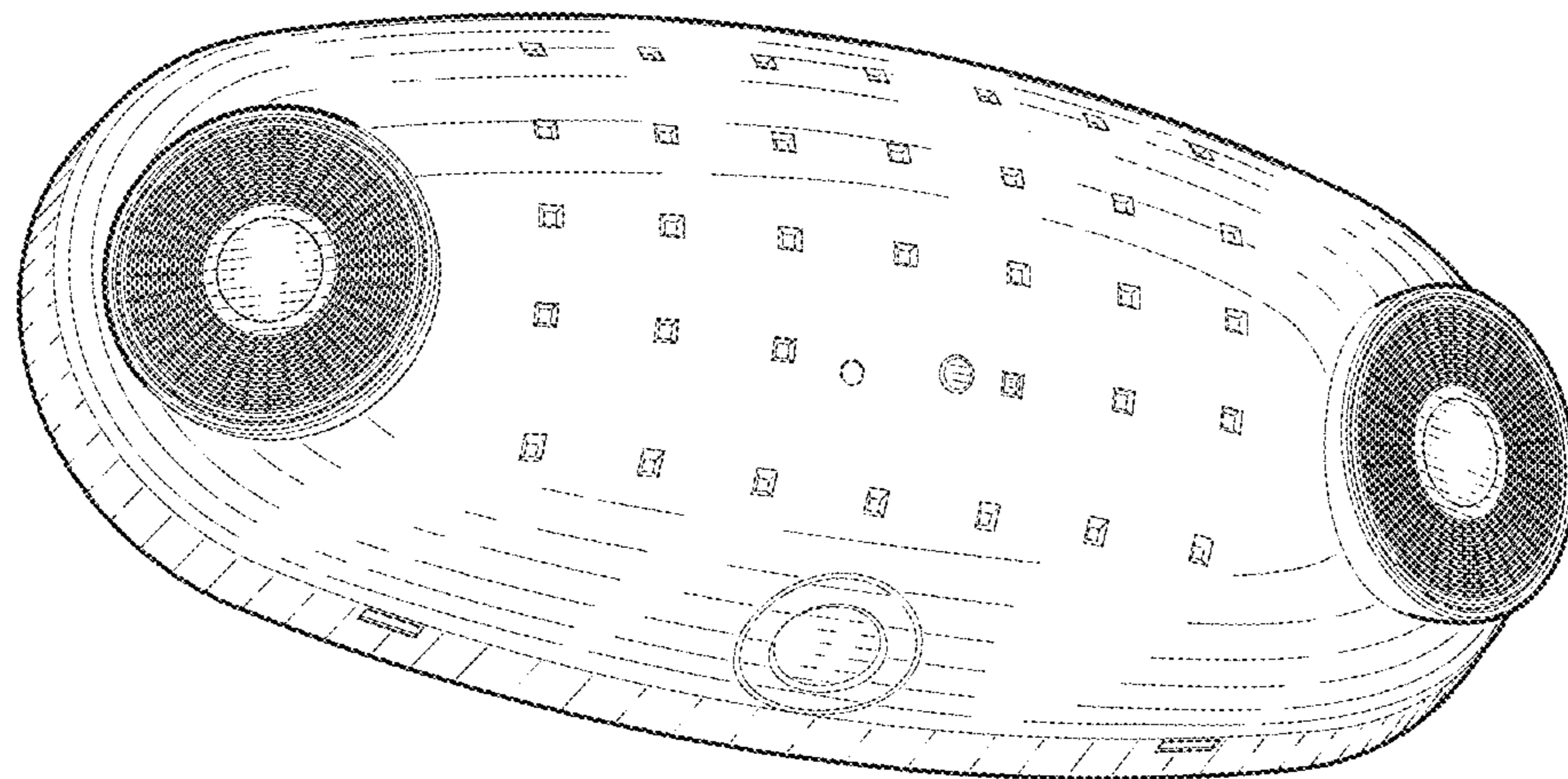


FIG. 1

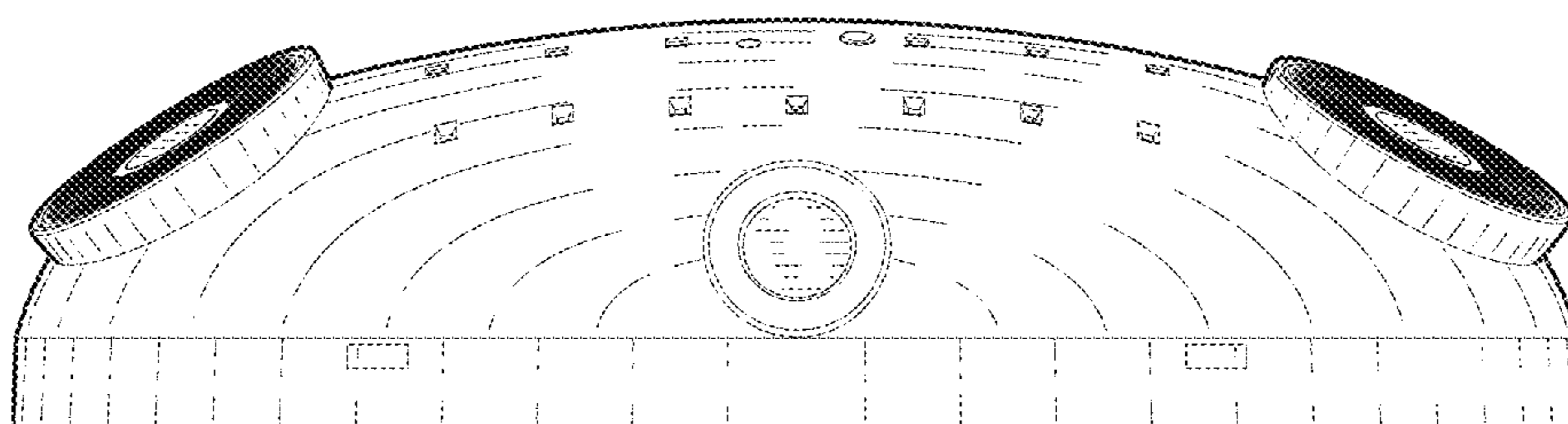


FIG. 2

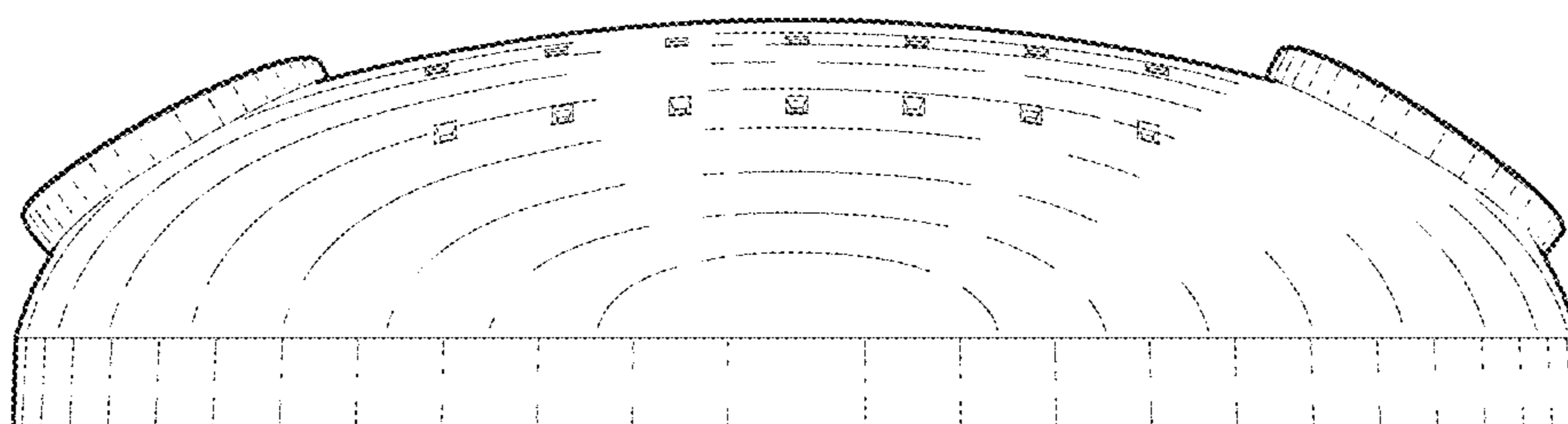


FIG. 3

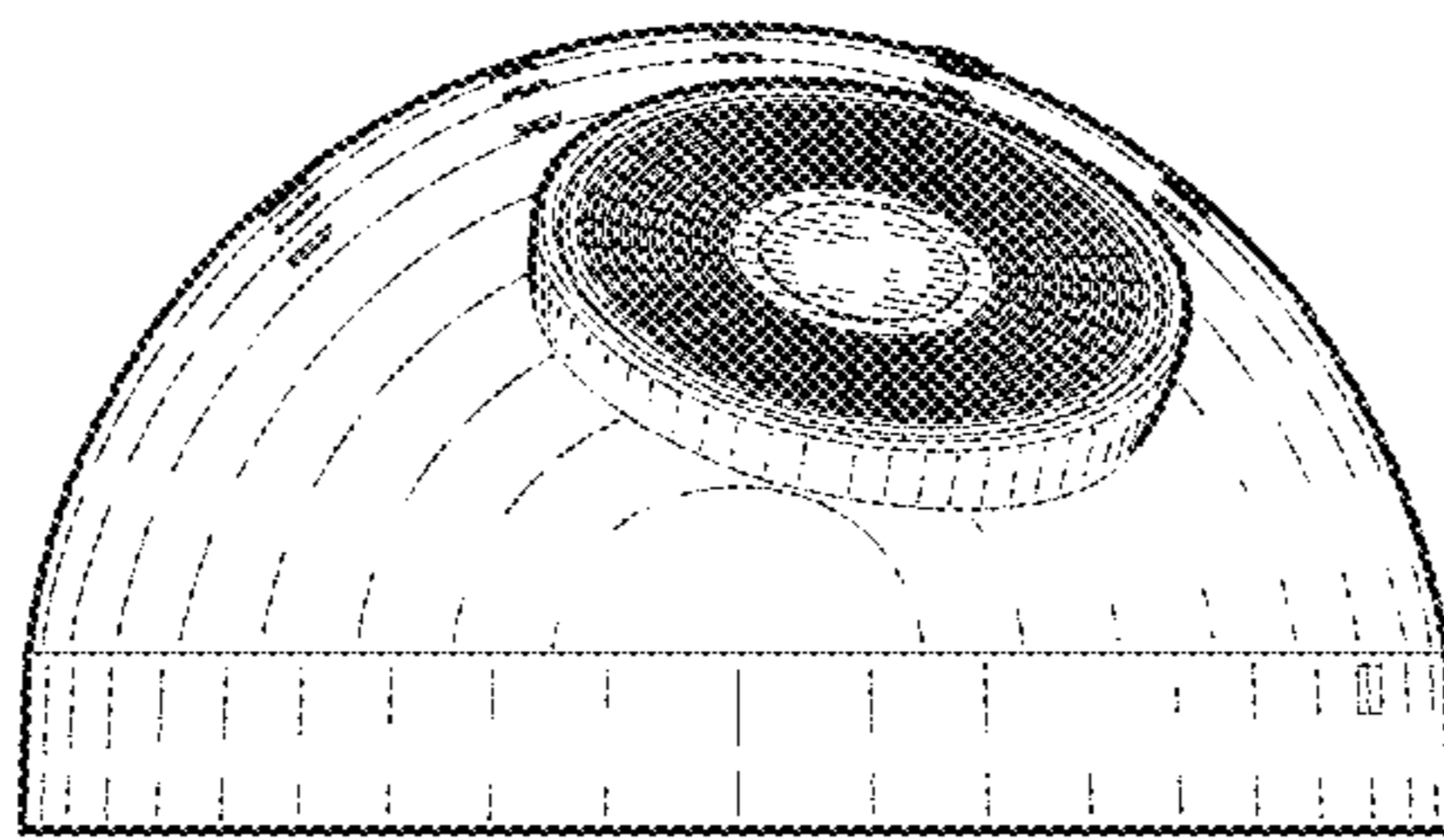


FIG. 4

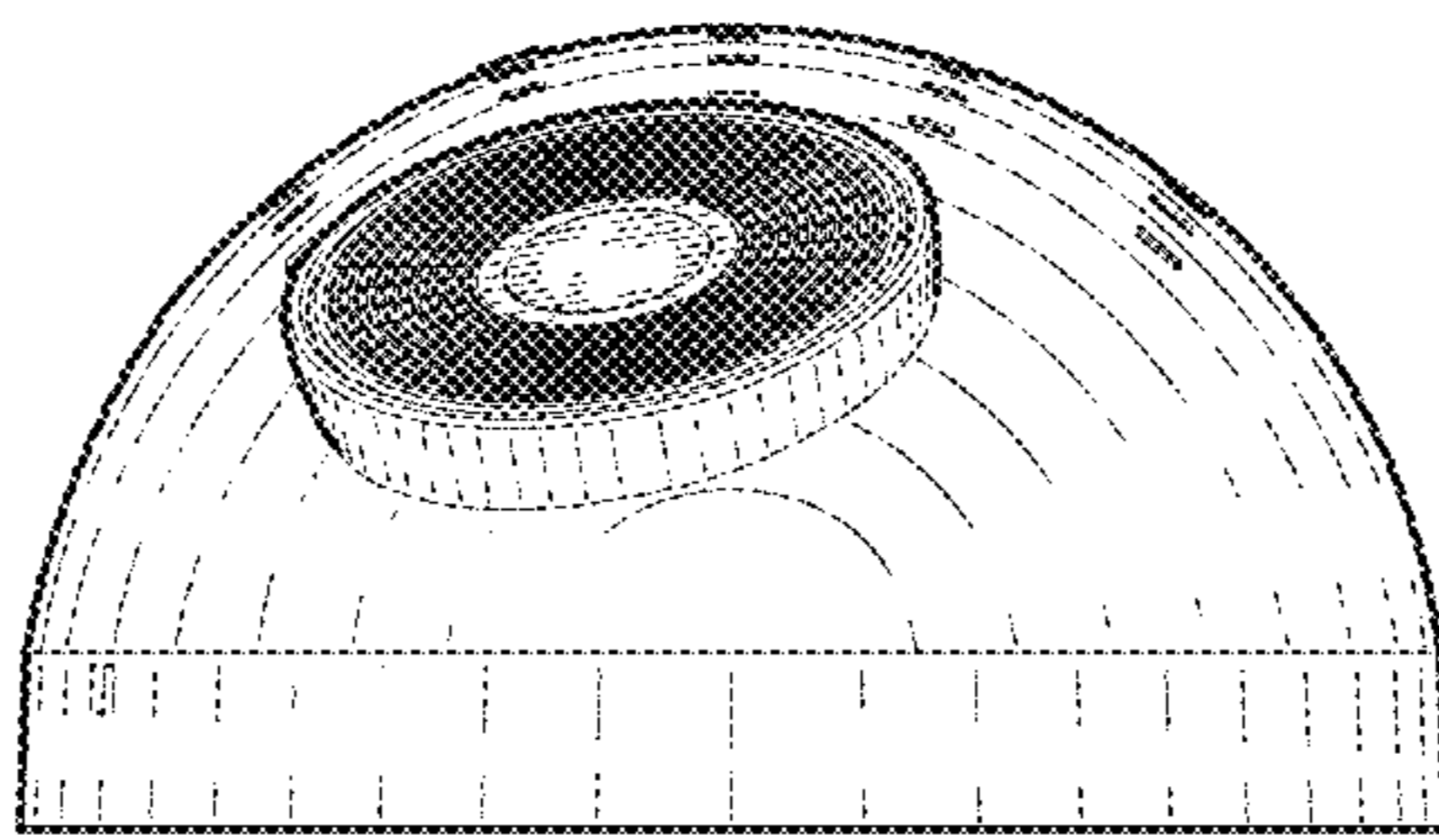


FIG. 5

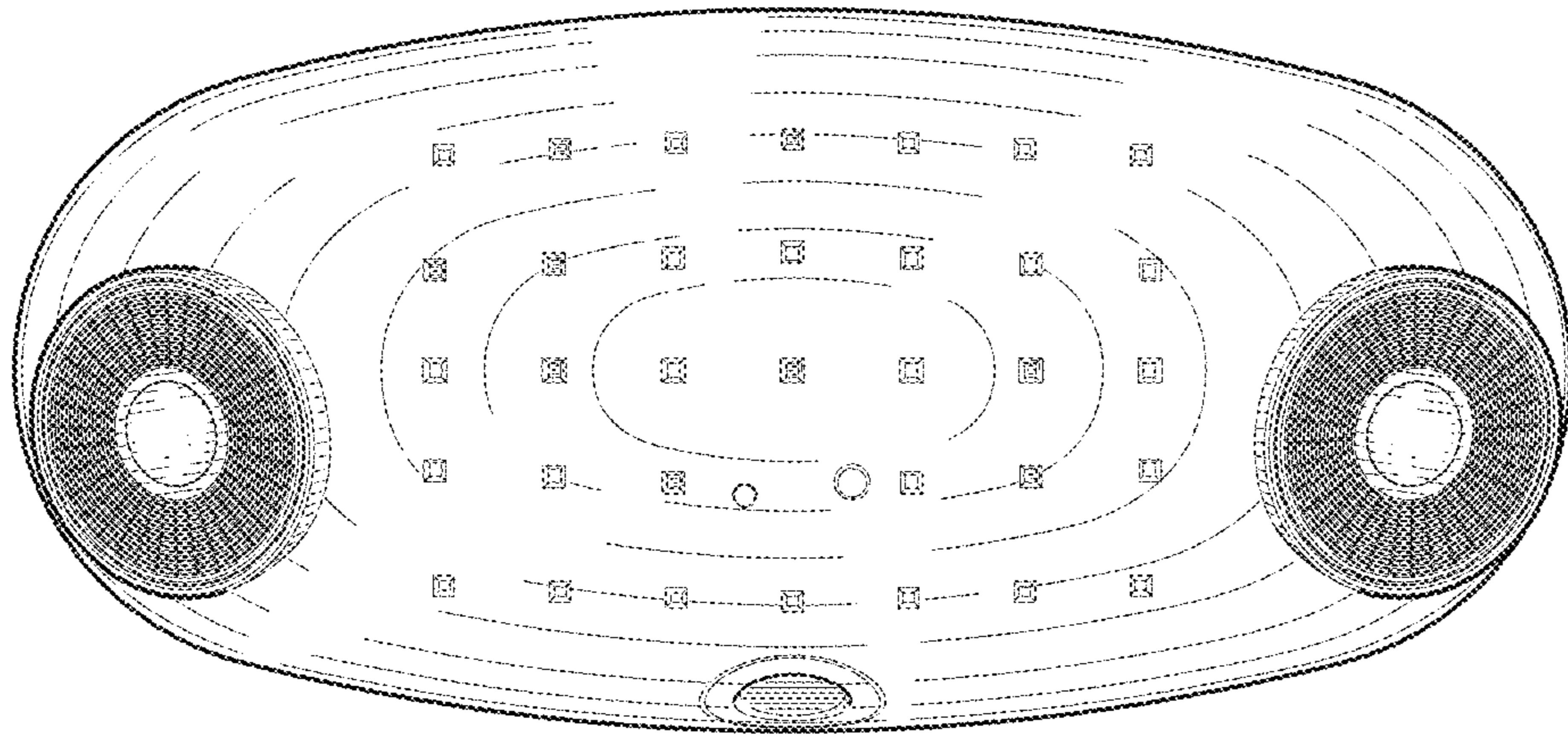


FIG. 6

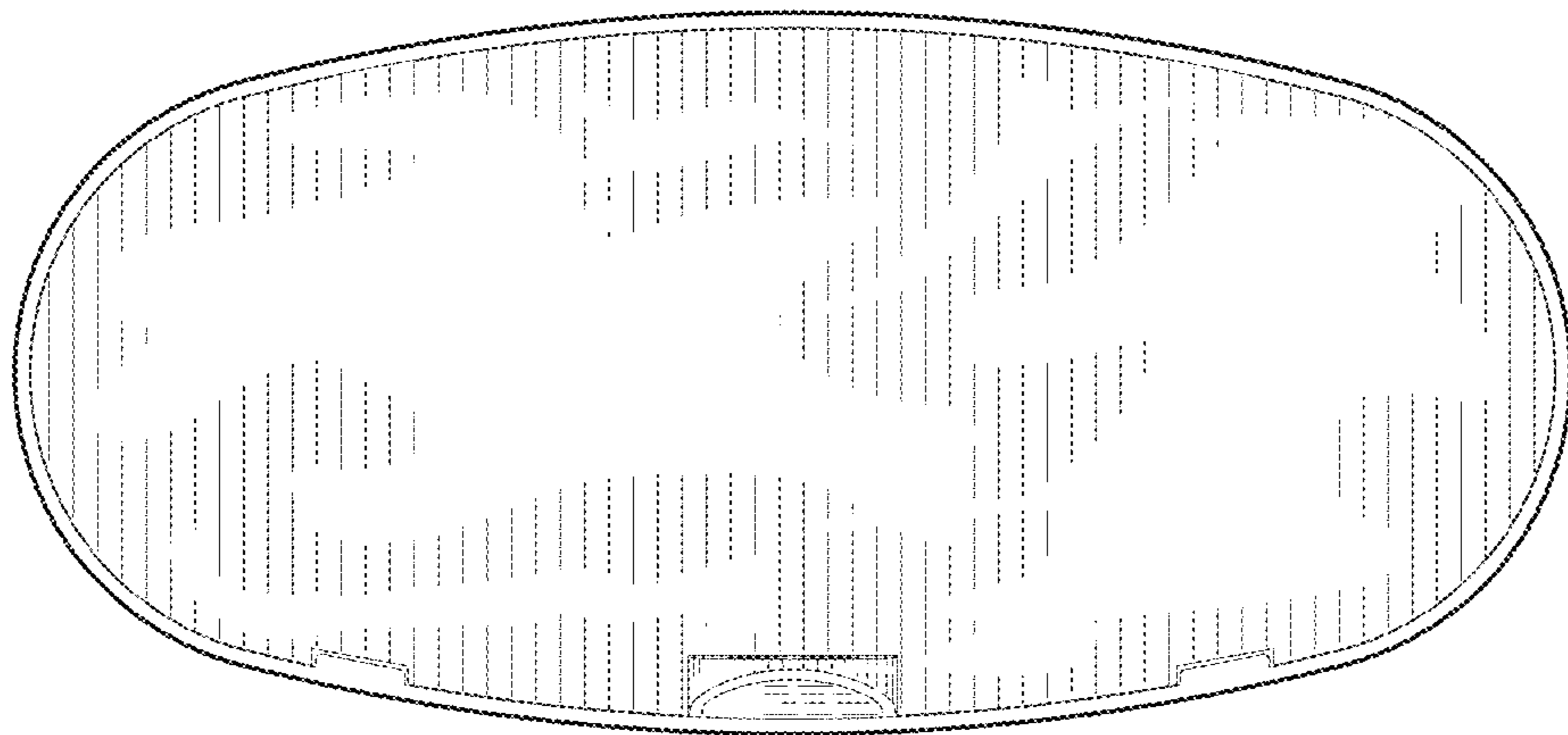


FIG. 7

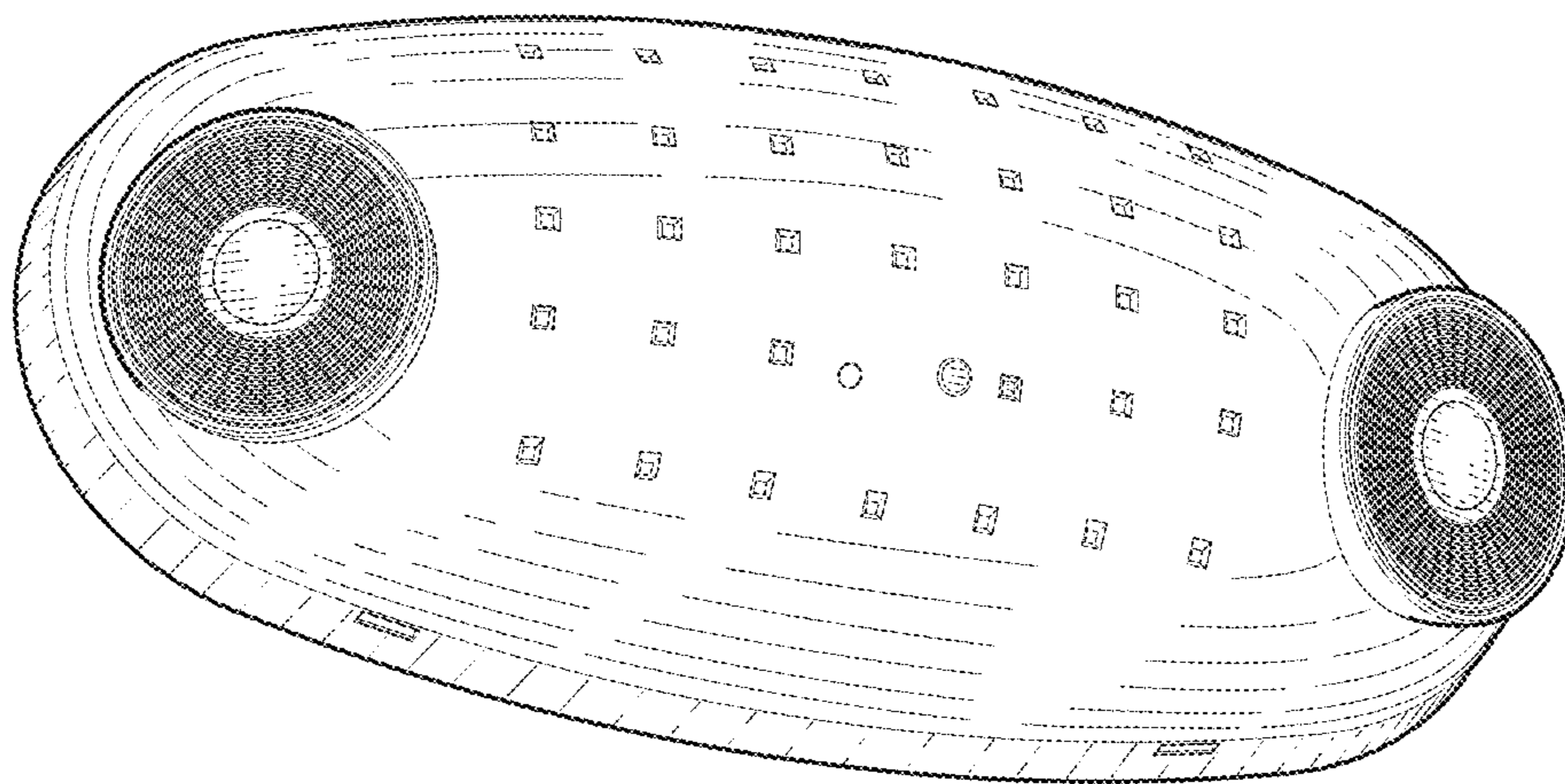


FIG. 8

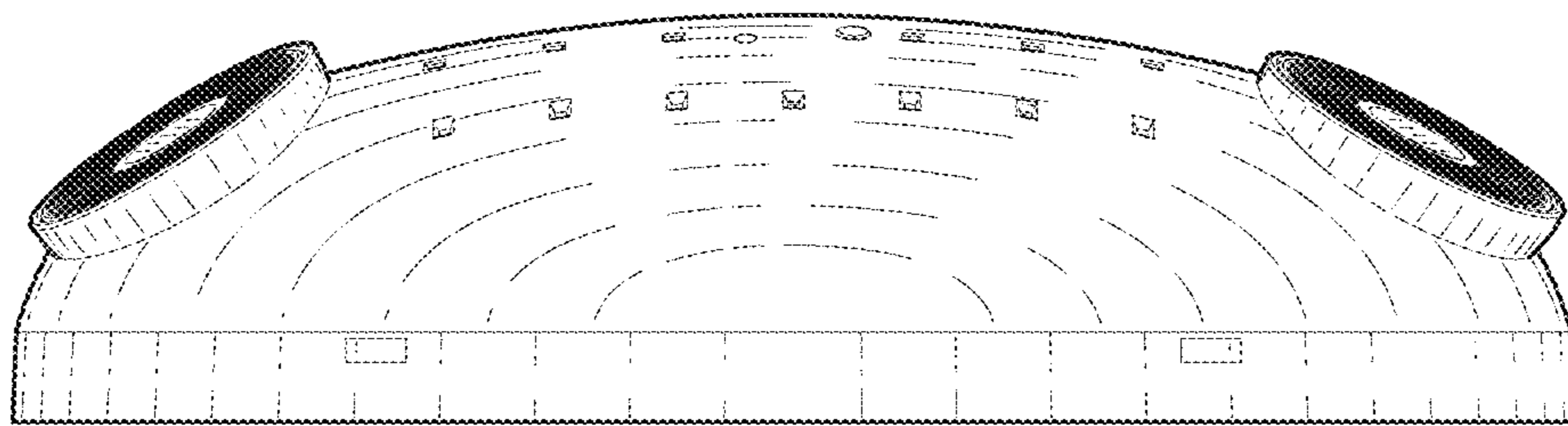


FIG. 9

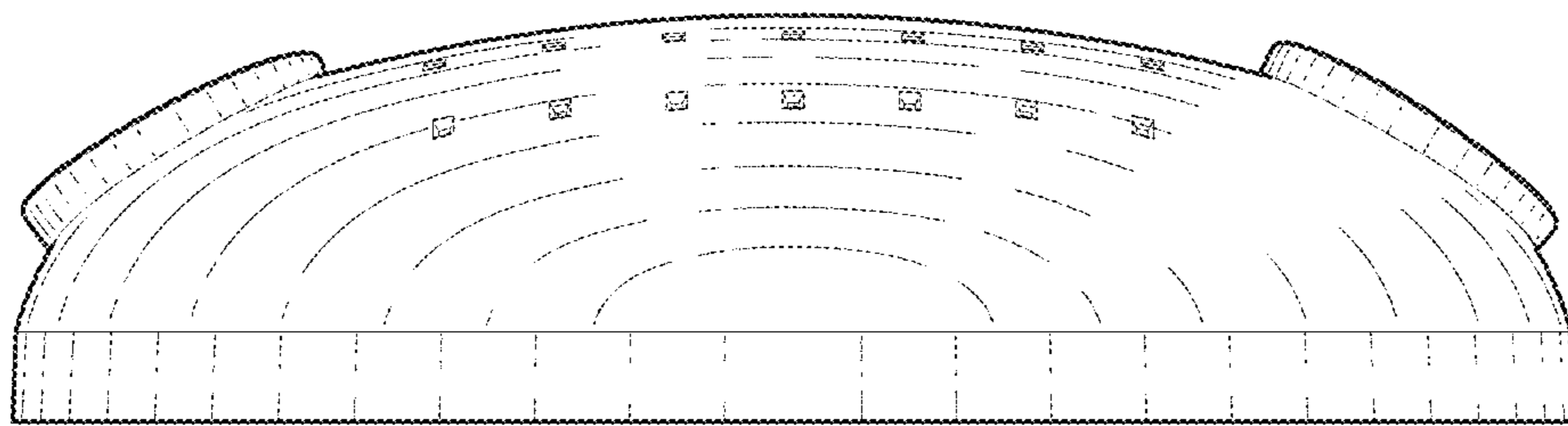


FIG. 10

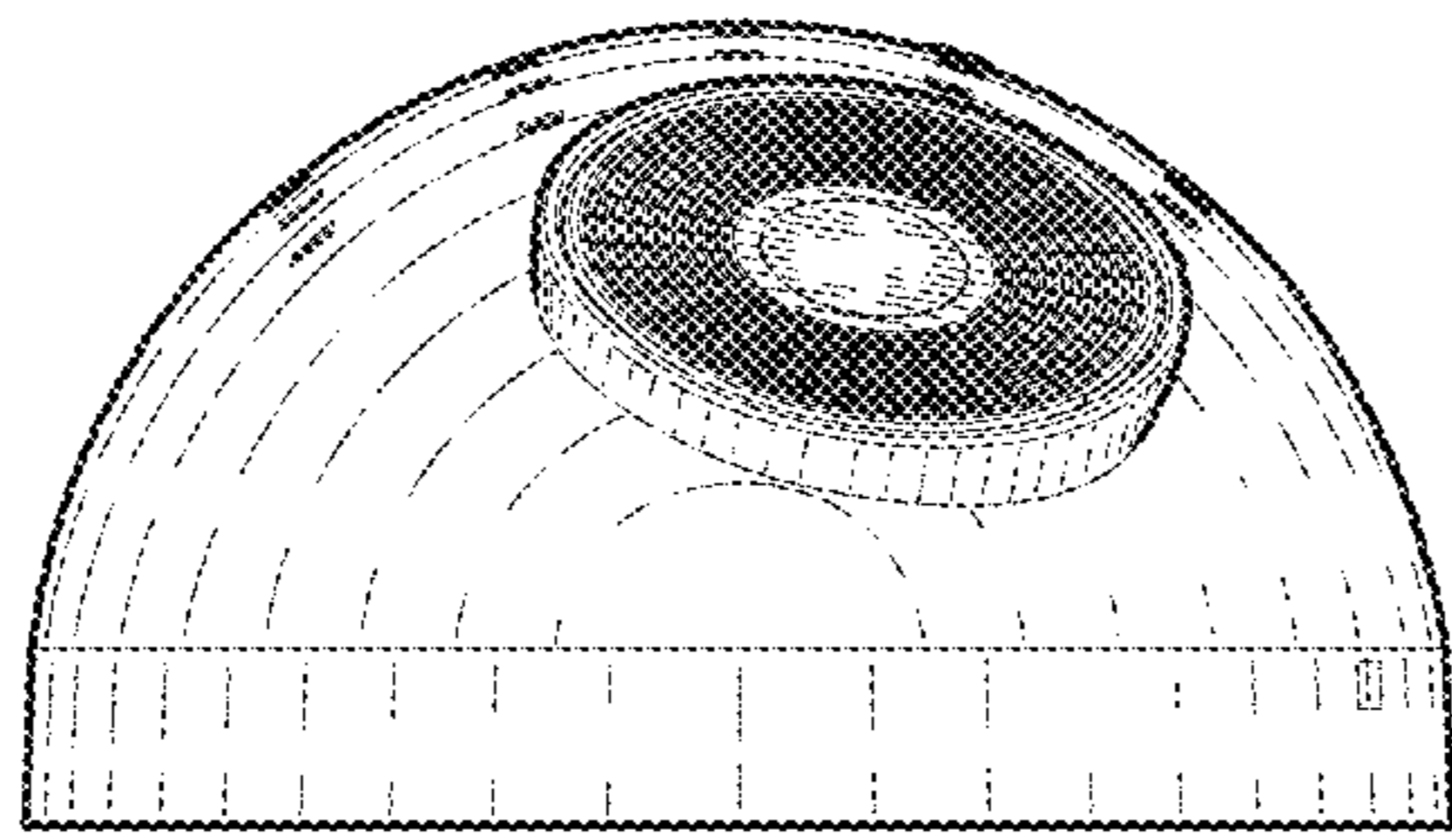


FIG. 11

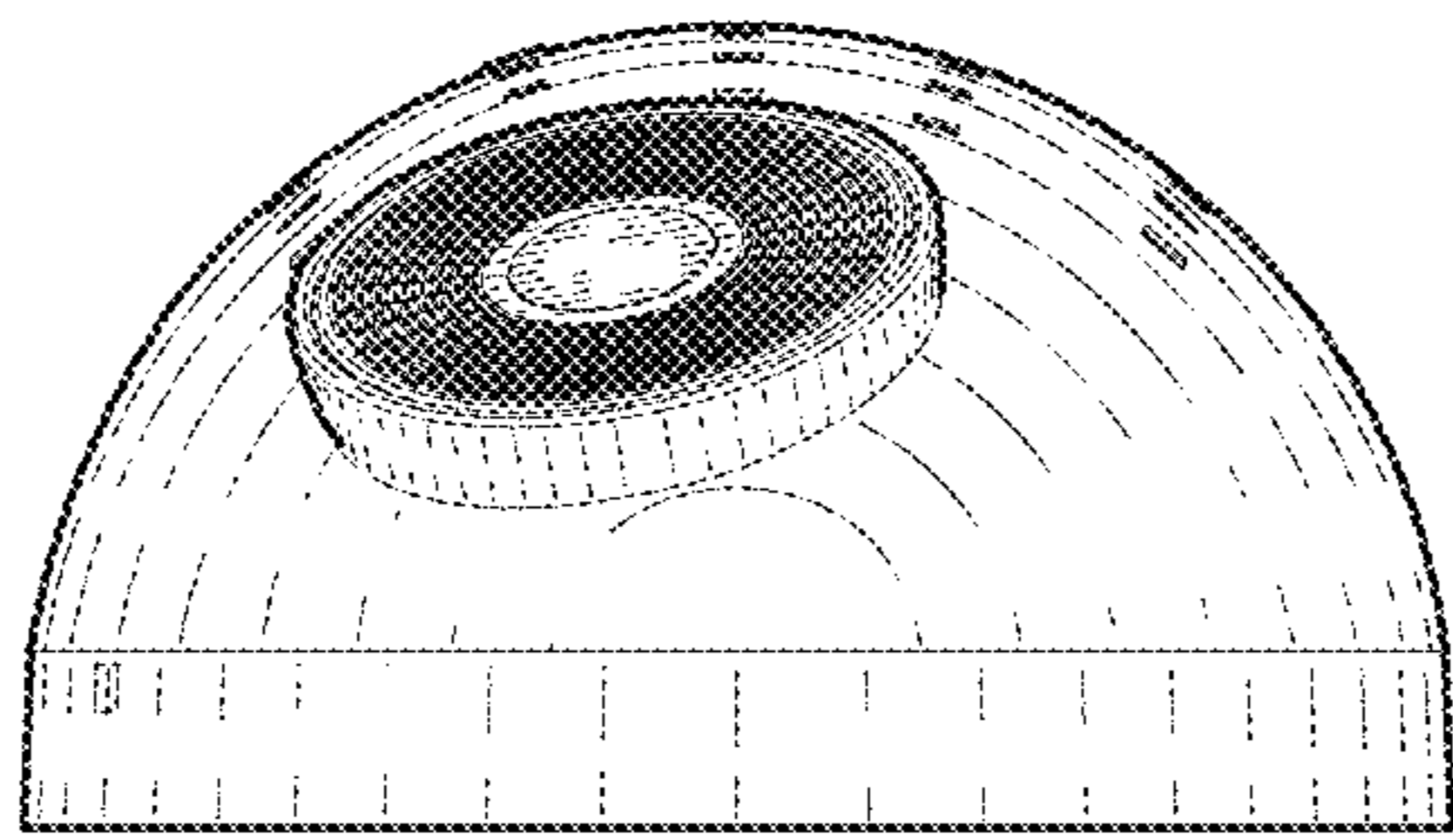


FIG. 12

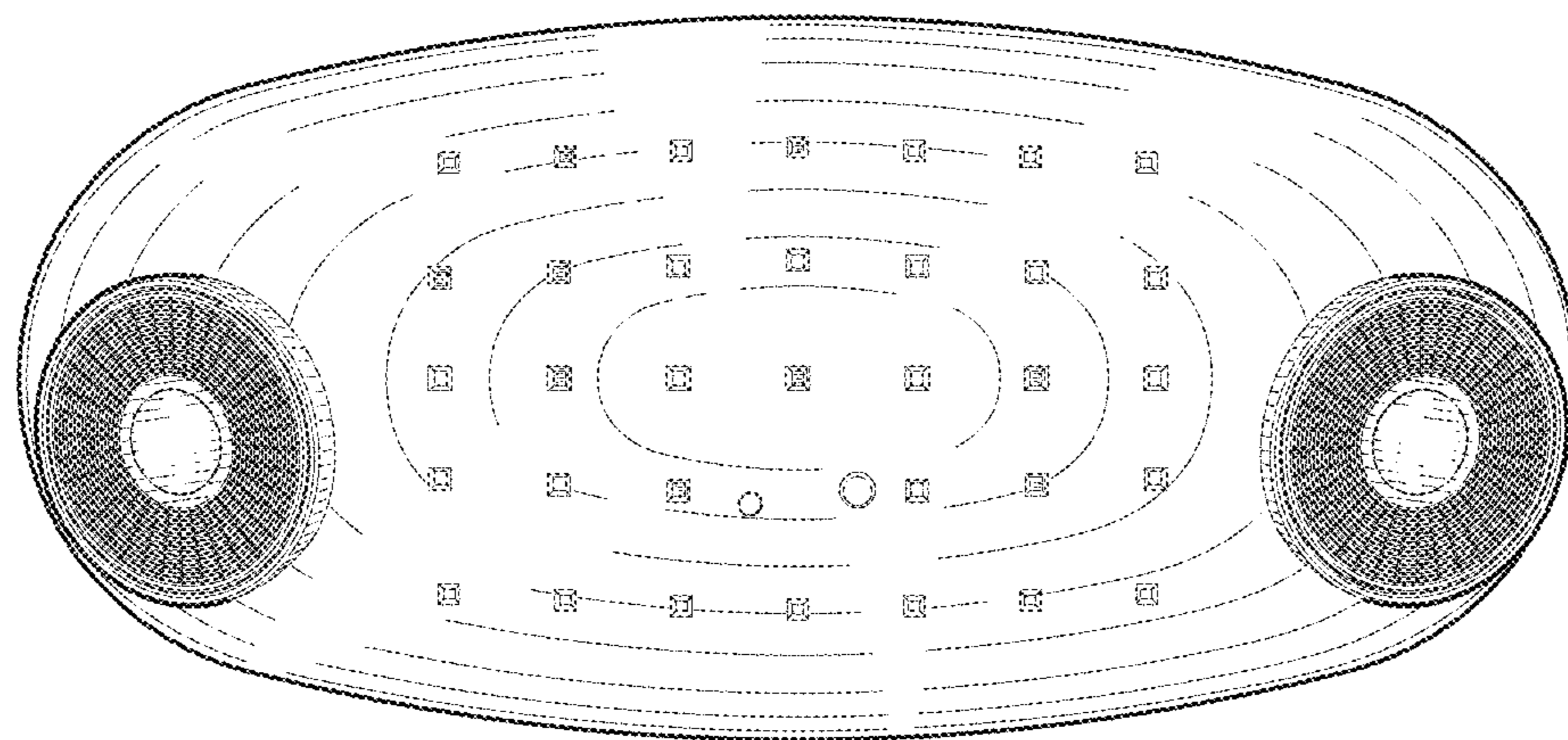


FIG. 13

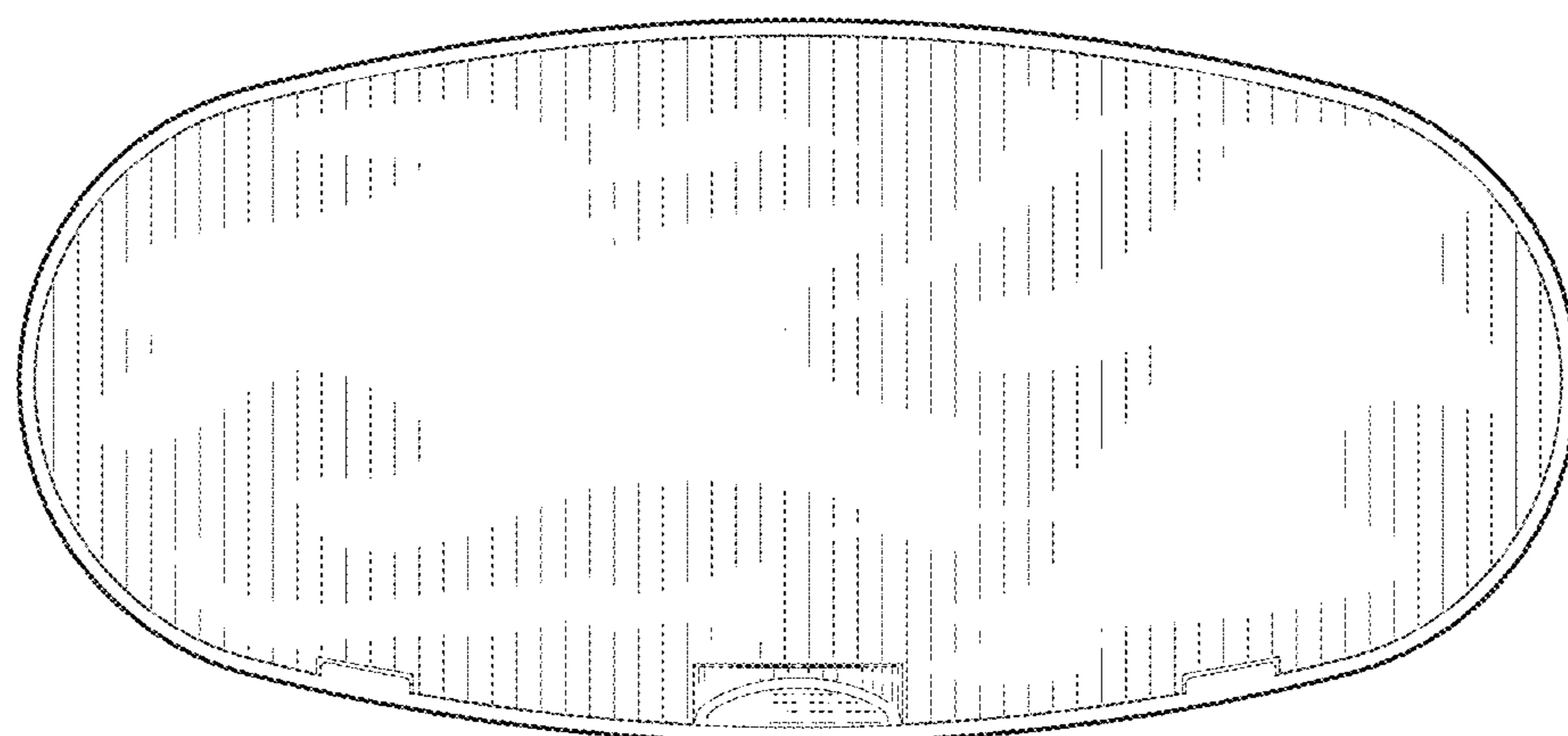


FIG. 14