

US00D834737S

(12) **United States Design Patent**
Shalvi

(10) **Patent No.:** **US D834,737 S**

(45) **Date of Patent:** **** Nov. 27, 2018**

(54) **LIGHTING FIXTURE**

(71) Applicant: **Ram Shalvi**, Closter, NJ (US)

(72) Inventor: **Ram Shalvi**, Closter, NJ (US)

(73) Assignee: **Olympia Lighting, Inc.**, Northvale, NJ (US)

(**) Term: **15 Years**

(21) Appl. No.: **29/595,313**

(22) Filed: **Feb. 27, 2017**

(51) **LOC (11) Cl.** **26-05**

(52) **U.S. Cl.**
USPC **D26/92; D26/71**

(58) **Field of Classification Search**
USPC D13/134-136; D26/51, 60-71, 76, 77,
D26/78, 80, 85, 86, 87, 92; D29/103
CPC .. F21S 8/036; F21S 8/038; F21S 8/043; F21S
8/081; F21S 8/083; F21S 8/085; F21S
8/086; F21S 8/088; F21S 9/03; F21S
9/035; F21S 9/037; F21S 10/063; F21S
13/10

See application file for complete search history.

(56) **References Cited**

U.S. PATENT DOCUMENTS

D614,790 S *	4/2010	Nibaldi	D26/71
D648,884 S *	11/2011	Tortel	D26/71
D660,496 S *	5/2012	Akdag	D26/71
D664,697 S *	7/2012	Piano	D26/71
D666,759 S *	9/2012	Lane	D26/71
D694,449 S *	11/2013	Walker	D26/63
D709,634 S *	7/2014	Coulbeaut	D26/71
D709,635 S *	7/2014	Coulbeaut	D26/71
D715,984 S *	10/2014	Durdle	D26/71
D742,574 S *	11/2015	Bembridge	D26/71
D743,083 S *	11/2015	Bembridge	D26/71
D743,088 S *	11/2015	Snell	D26/92

D765,298 S *	8/2016	Frisee	D26/71
D767,196 S *	9/2016	Duckworth	D26/92
D770,659 S *	11/2016	Zhu	D26/71
D776,859 S *	1/2017	Duckworth	D26/92
D783,875 S *	4/2017	Kaoh	D26/71
D785,231 S *	4/2017	Shundong	D26/92
9,752,768 B2 *	9/2017	Roh	F21V 29/76
2012/0026737 A1 *	2/2012	Dinc	F21S 8/086 362/247

* cited by examiner

Primary Examiner — Kevin K Rudzinski

Assistant Examiner — Richard Kearney

(74) *Attorney, Agent, or Firm* — Offit Kurman, P.A.;
Robert D. Katz, Esq.

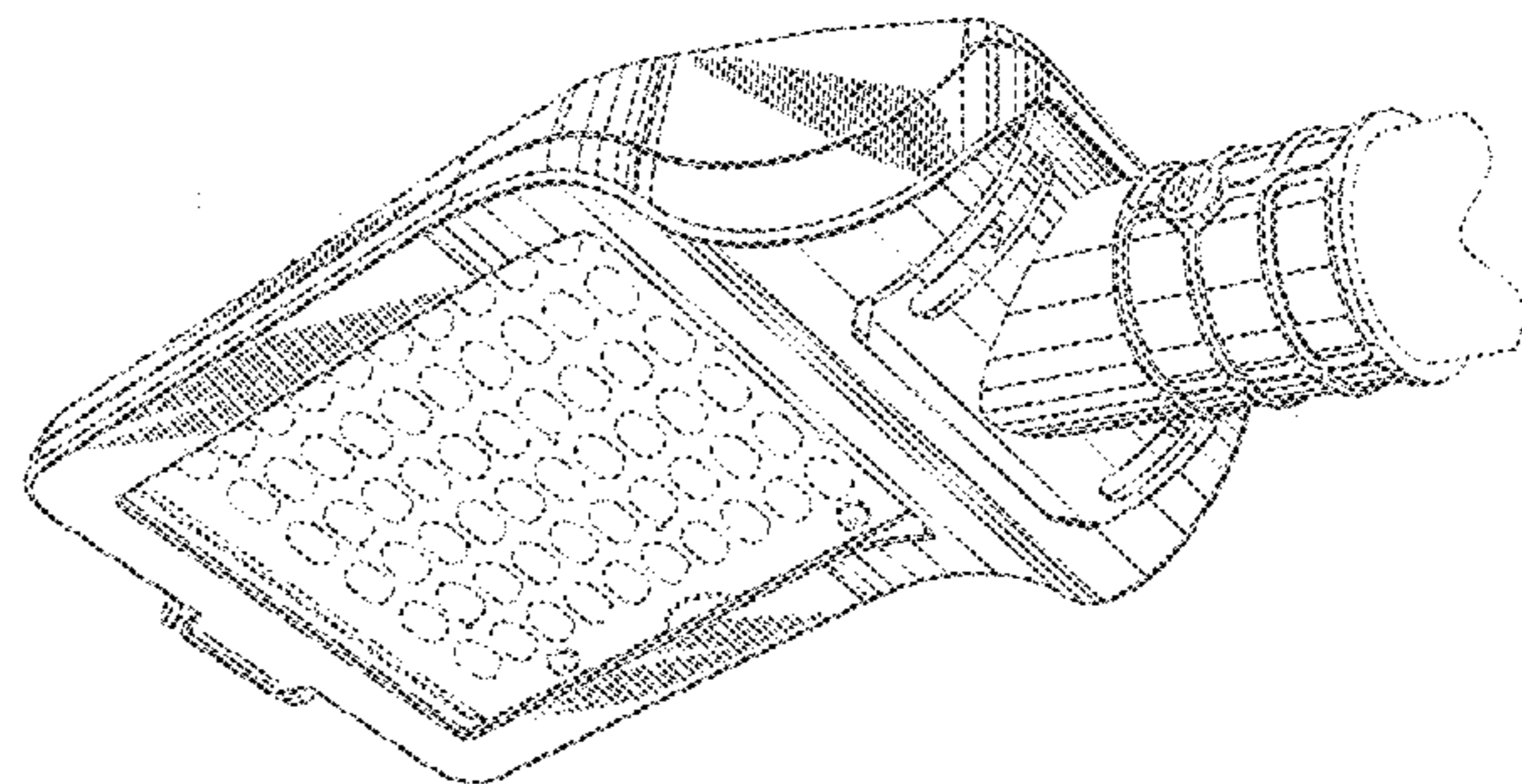
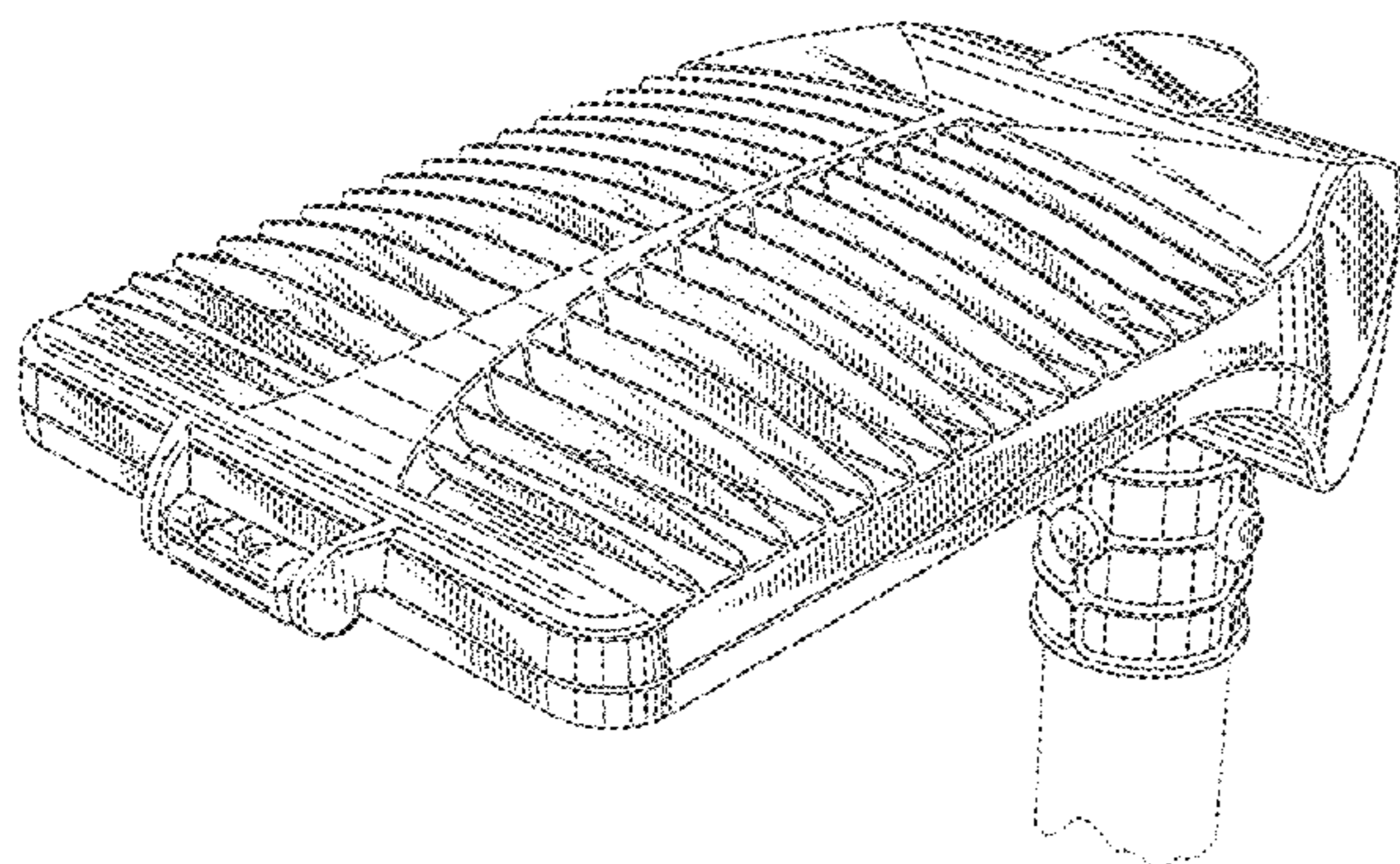
(57) **CLAIM**

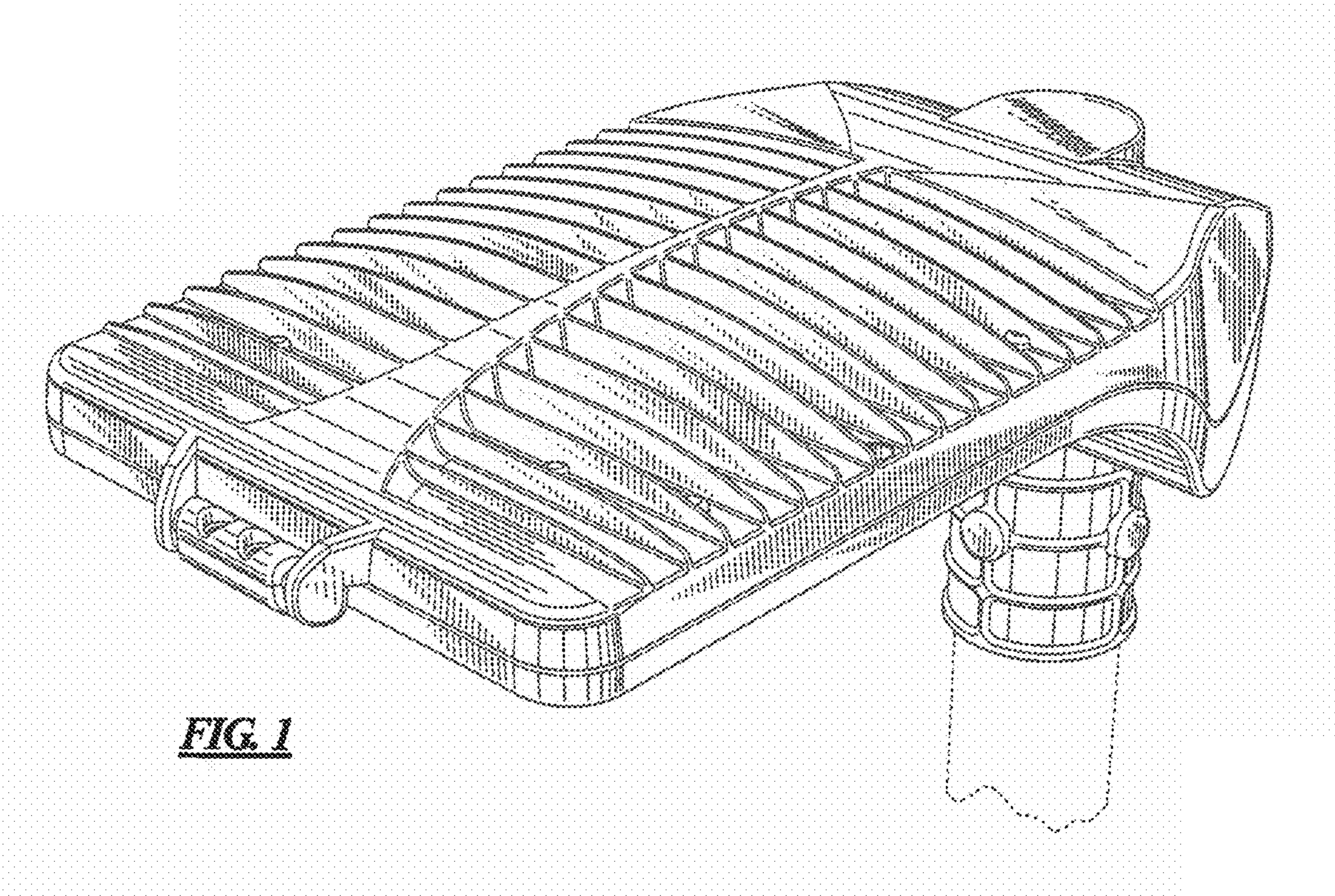
The ornamental design for a lighting fixture, as shown and described.

DESCRIPTION

FIG. 1 is a front perspective view of a lighting fixture showing my new ornamental design, with the attachment tube shown in a vertical position;
 FIG. 2 is a front view of the lighting fixture of FIG. 1;
 FIG. 3 is a rear view of the lighting fixture of FIG. 1;
 FIG. 4 is a side view of one side of the lighting fixture of FIG. 1;
 FIG. 5 is a side view of the other side of the lighting fixture of FIG. 1;
 FIG. 6 is a top view of the lighting fixture of FIG. 1;
 FIG. 7 is a bottom view of the lighting fixture of FIG. 1; and,
 FIG. 8 is a rear perspective view of the lighting fixture of FIG. 1, showing its attachment tube in an extended position.
 The lighting fixture of the present invention may be used, for example, as a street light or to light a parking lot as an original or replacement device.
 The broken lines shown in the drawings illustrate environmental structure that form no part of the claimed design.

1 Claim, 8 Drawing Sheets





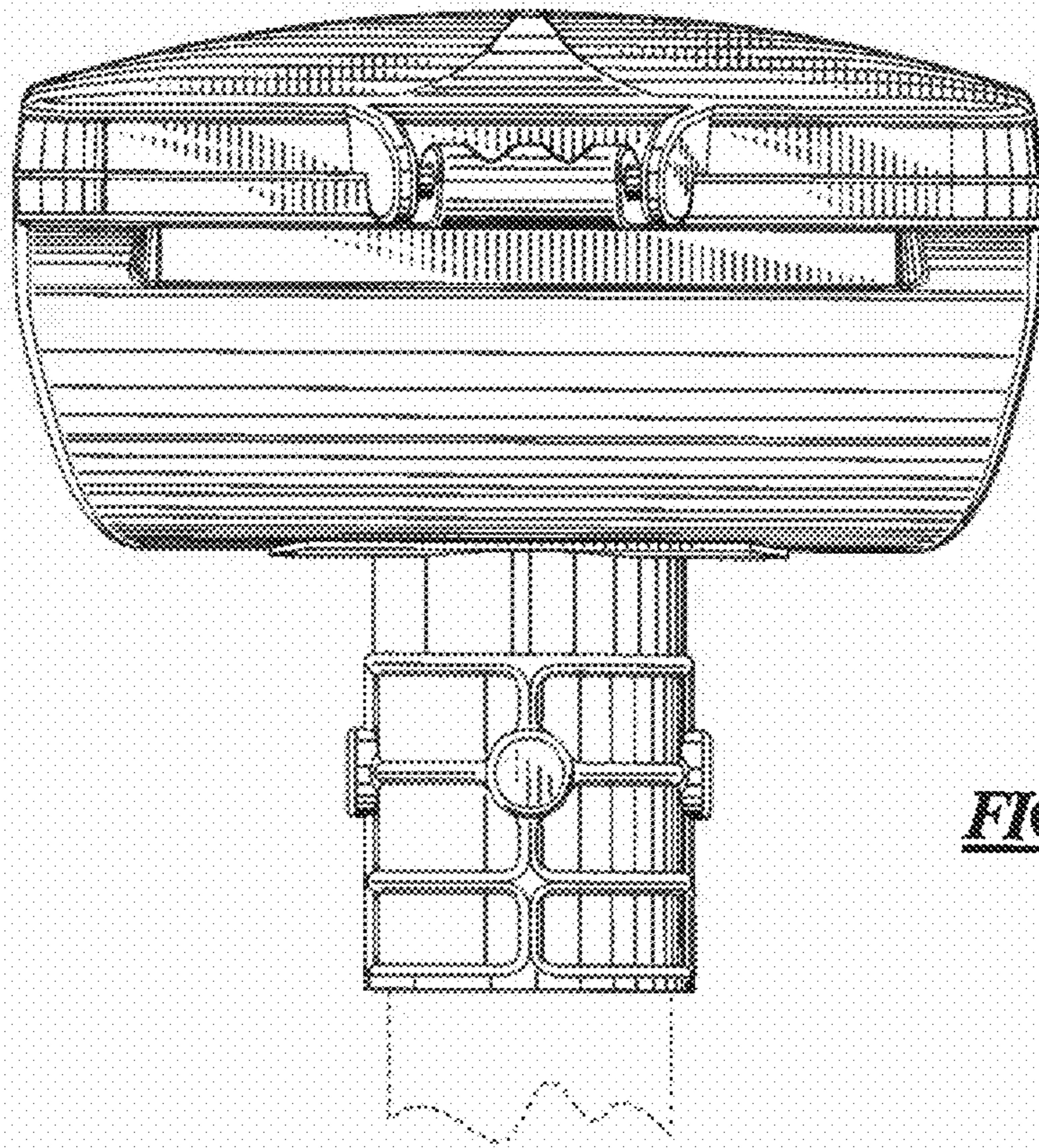


FIG. 2

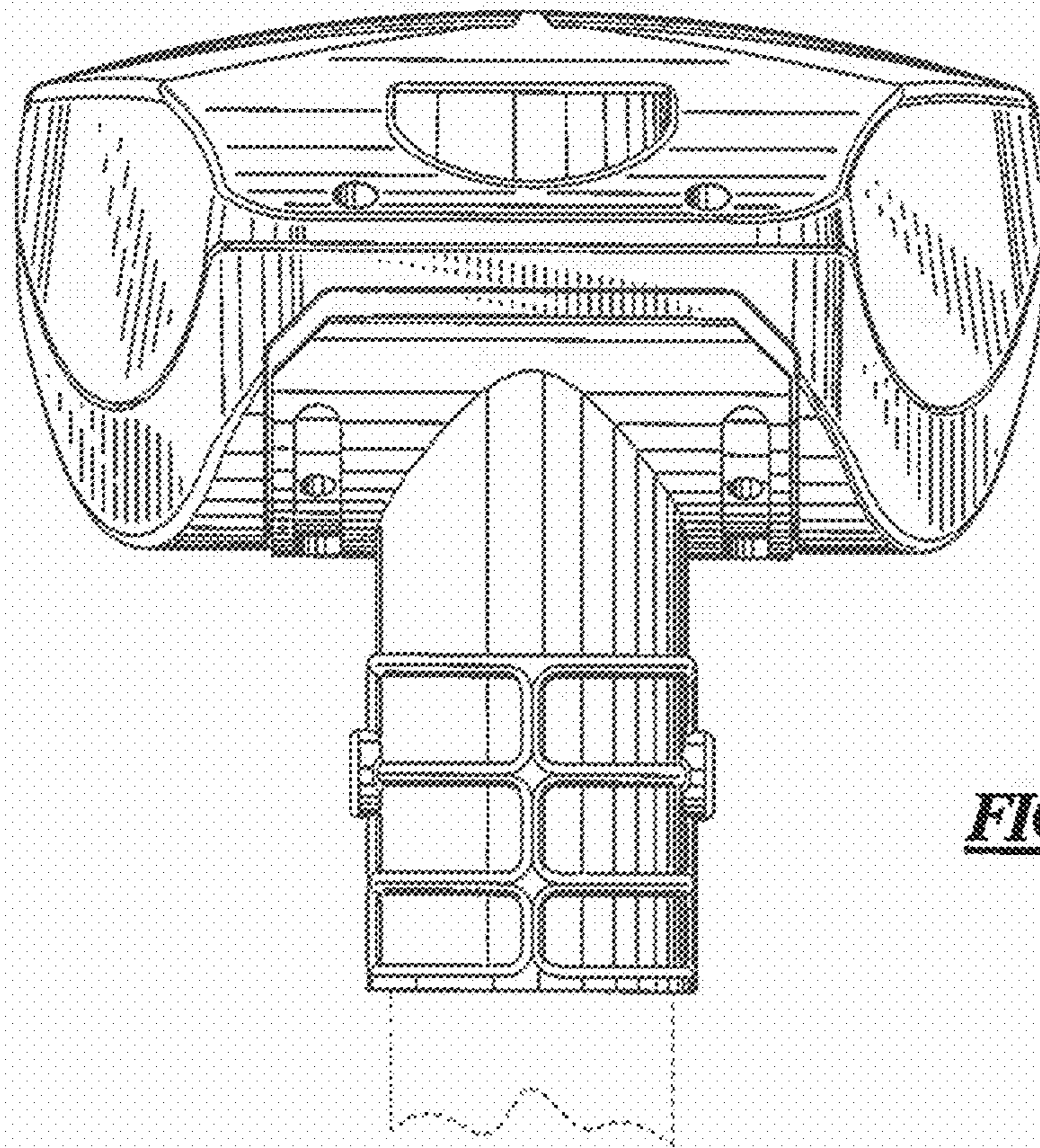


FIG. 3

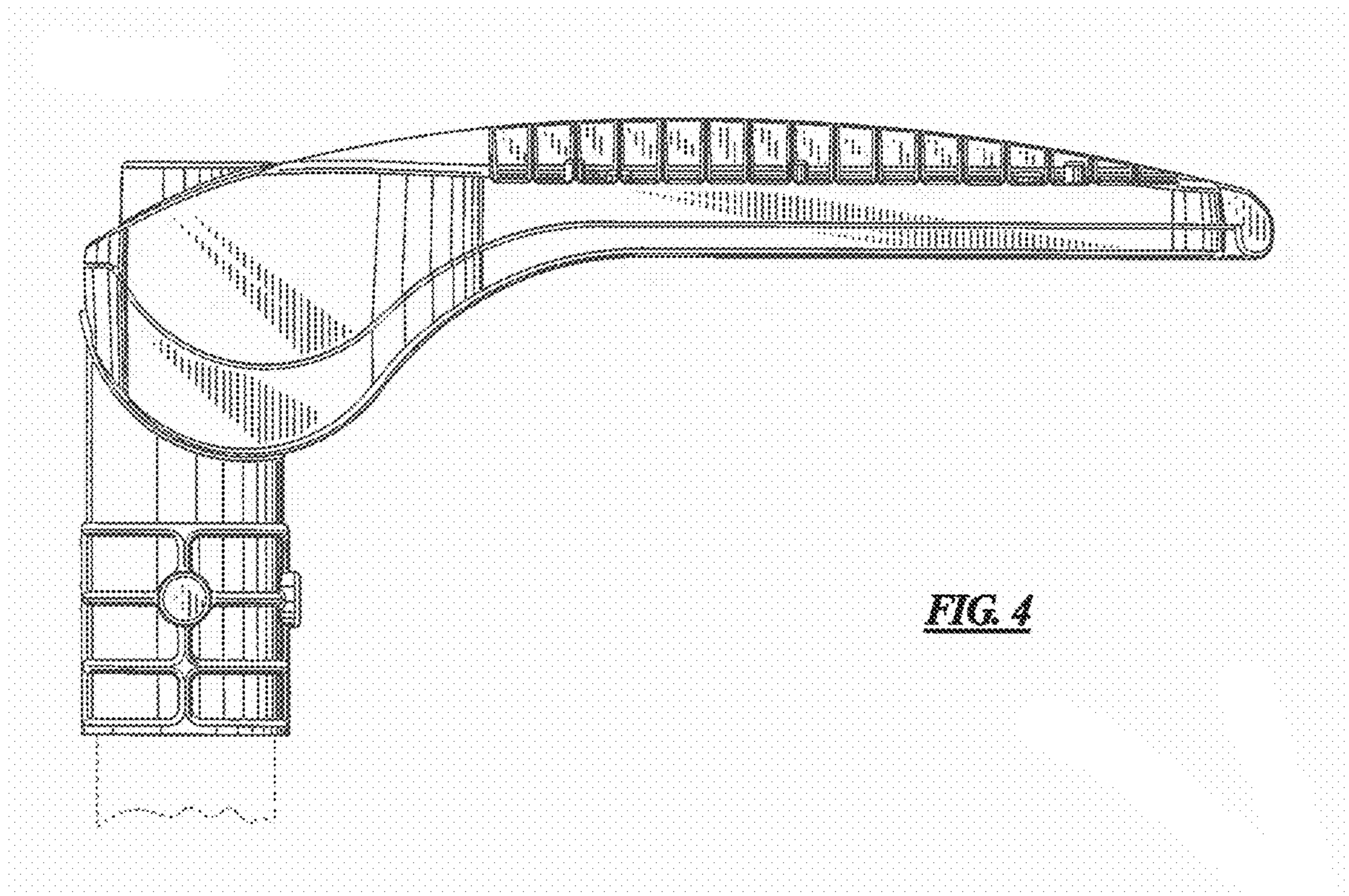


FIG. 4

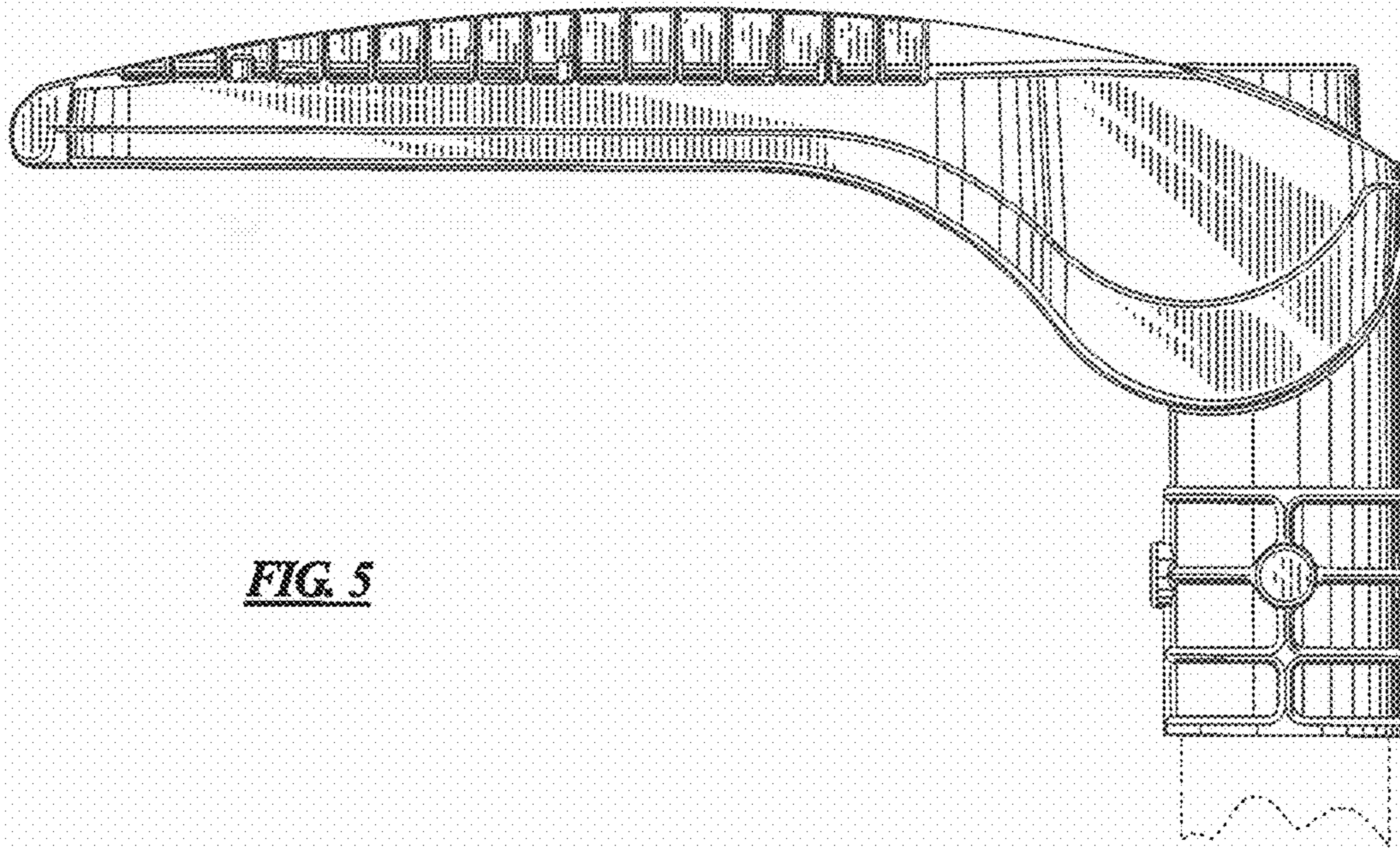


FIG. 5

FIG. 6

