



US00D834736S

(12) **United States Design Patent** (10) **Patent No.:** **US D834,736 S**  
**Liu** (45) **Date of Patent:** **\*\* Nov. 27, 2018**

(54) **SOLAR LIGHT**

(71) Applicant: **Shenzhen Herboter Industry Co., Ltd.**, Shenzhen, Guangdong Province (CN)

(72) Inventor: **Huipin Liu**, Shenzhen (CN)

(\*\*) Term: **15 Years**

(21) Appl. No.: **29/600,207**

(22) Filed: **Apr. 10, 2017**

(51) **LOC (11) Cl.** ..... **26-03**

(52) **U.S. Cl.**  
USPC ..... **26/85**

(58) **Field of Classification Search**  
USPC ..... D10/104.1, 106.1, 106.6, 106.8; D26/10, D26/37, 38, 40, 51, 60, 67, 68, 72, 76, D26/78, 82, 85, 86, 104, 106, 145  
CPC ..... F21S 8/00; F21S 8/02; F21S 8/04; F21S 8/003; F21S 8/006; F21S 6/00; F21S 9/022; F21S 9/037

See application file for complete search history.

(56) **References Cited**

**U.S. PATENT DOCUMENTS**

D158,803 S *	5/1950	Russell	.....	D26/76
D191,762 S *	11/1961	Rothman	.....	D26/76
D203,060 S *	11/1965	Schaefer	.....	D26/76
D290,567 S *	6/1987	Spicer	.....	D6/567
D421,826 S *	3/2000	Dallman	.....	D99/28
D465,593 S *	11/2002	Chang	.....	D26/72
D493,009 S *	7/2004	Ken	.....	D26/51

D521,286 S *	5/2006	Colmenares	.....	D26/51
D626,270 S *	10/2010	Waldmann	.....	D26/85
D670,422 S *	11/2012	Siekman	.....	D26/76
D672,901 S *	12/2012	Chiesurin	.....	D26/80
D796,719 S *	9/2017	Zhu	.....	D26/63

**OTHER PUBLICATIONS**

Solar-wall-light-FB-37. (available online) Retrieved from the internet Jul. 18, 2018 from URL: <http://www.sunkomo.com/wp-content/uploads/2013/06/solar-wall-light-FB-37.jpg>.\*

\* cited by examiner

*Primary Examiner* — Kevin K Rudzinski  
*Assistant Examiner* — Richard Kearney  
(74) *Attorney, Agent, or Firm* — Wayne & King LLC

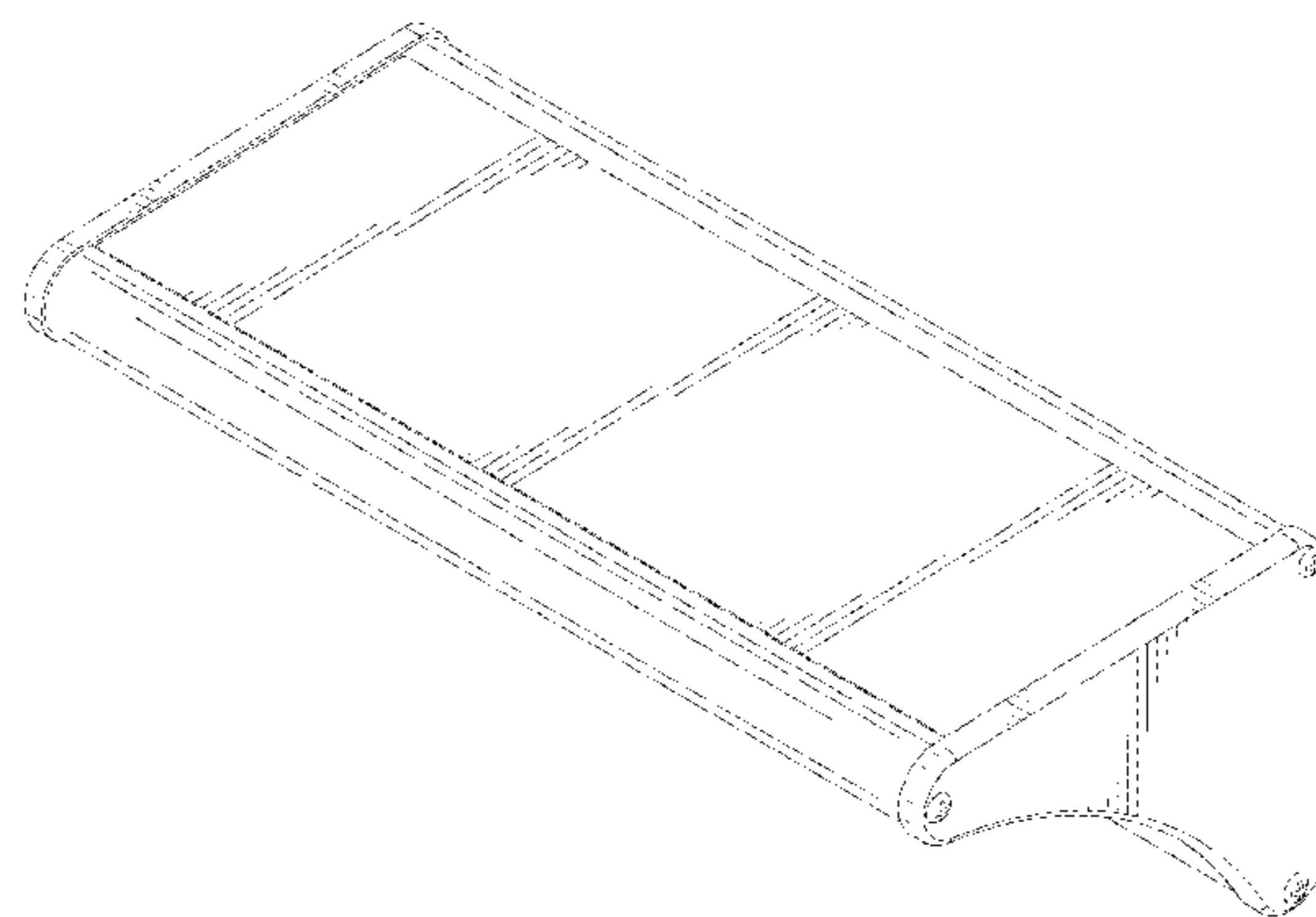
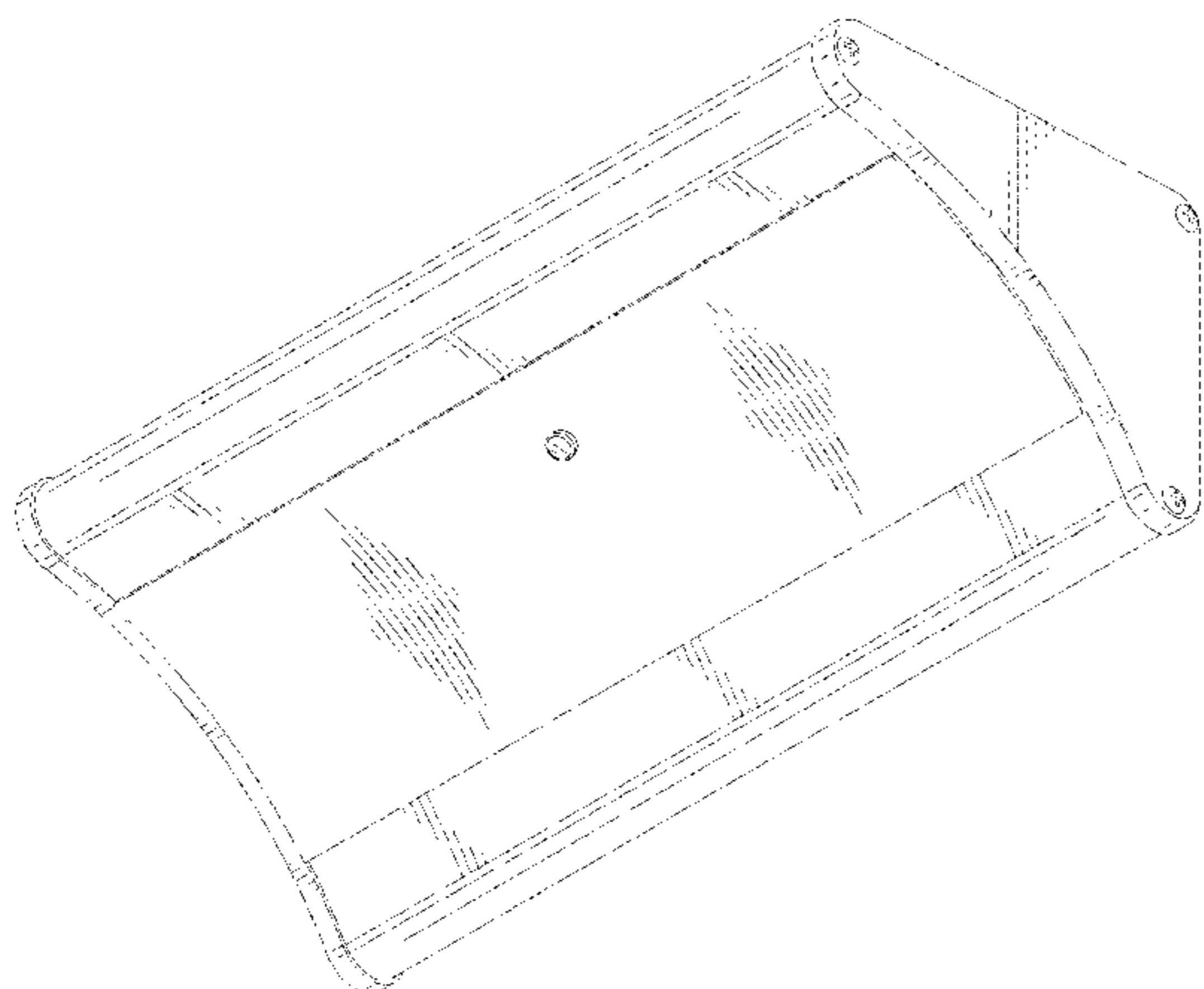
(57) **CLAIM**

The ornamental design for a solar light, as shown and described.

**DESCRIPTION**

FIG. 1 is a perspective view of a solar light, showing my new design.  
FIG. 2 is a second perspective view thereof.  
FIG. 3 is a third perspective view thereof.  
FIG. 4 is a front elevational view thereof.  
FIG. 5 is a rear elevational view thereof.  
FIG. 6 is a left side elevational view thereof.  
FIG. 7 is a right side elevational view thereof.  
FIG. 8 is a top plan view thereof; and,  
FIG. 9 is a bottom plan view thereof.

**1 Claim, 9 Drawing Sheets**



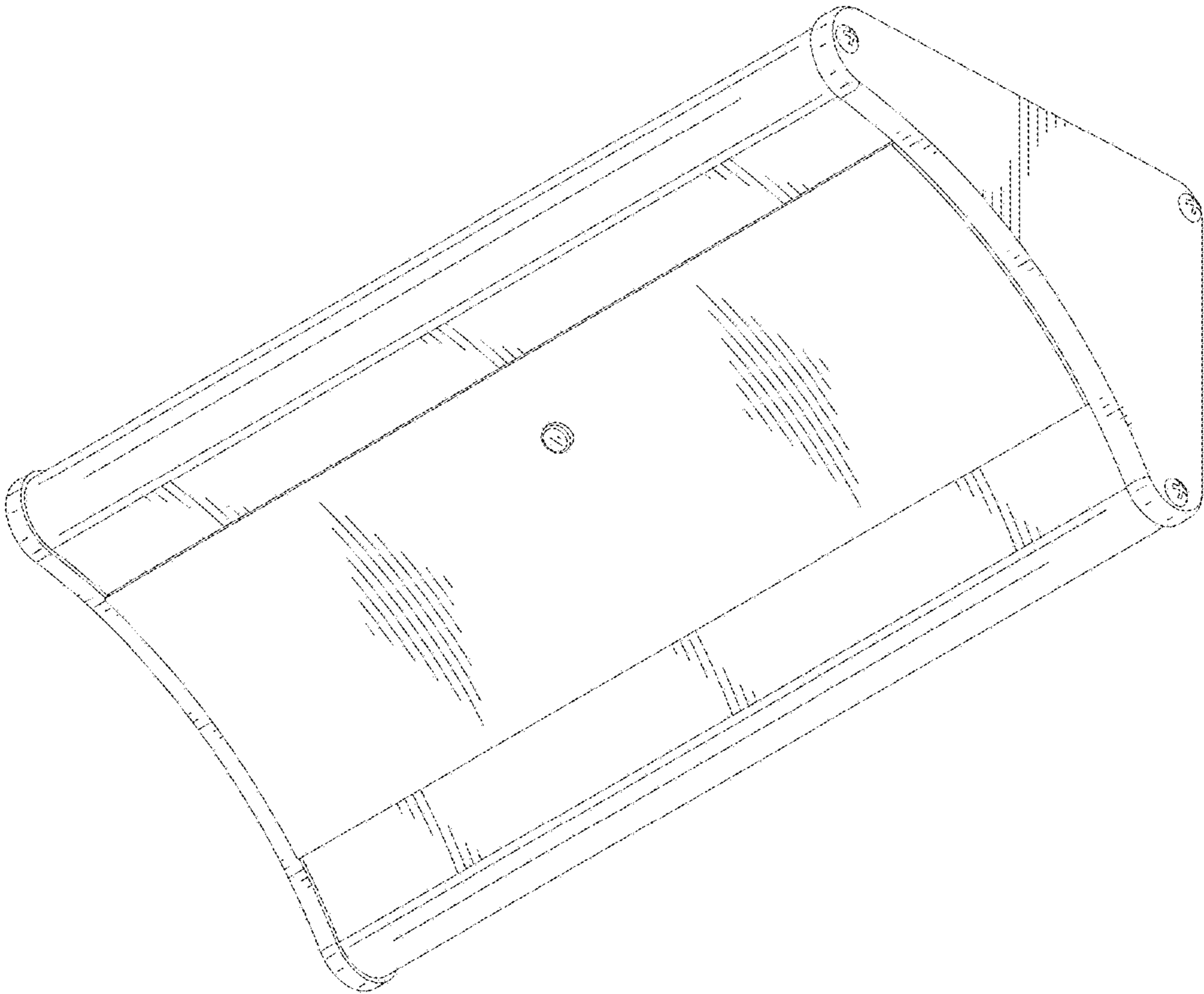


FIG.1

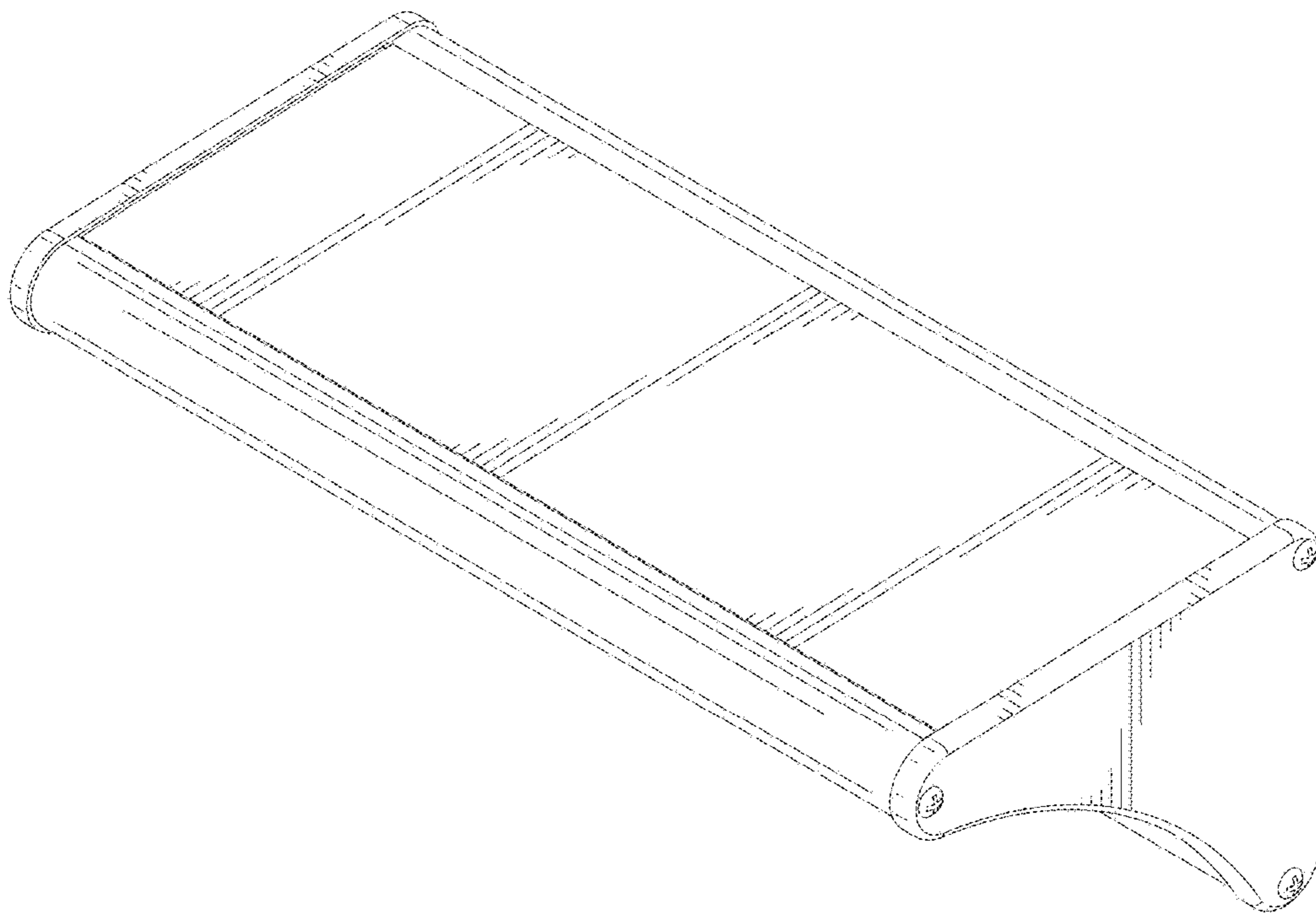


FIG.2

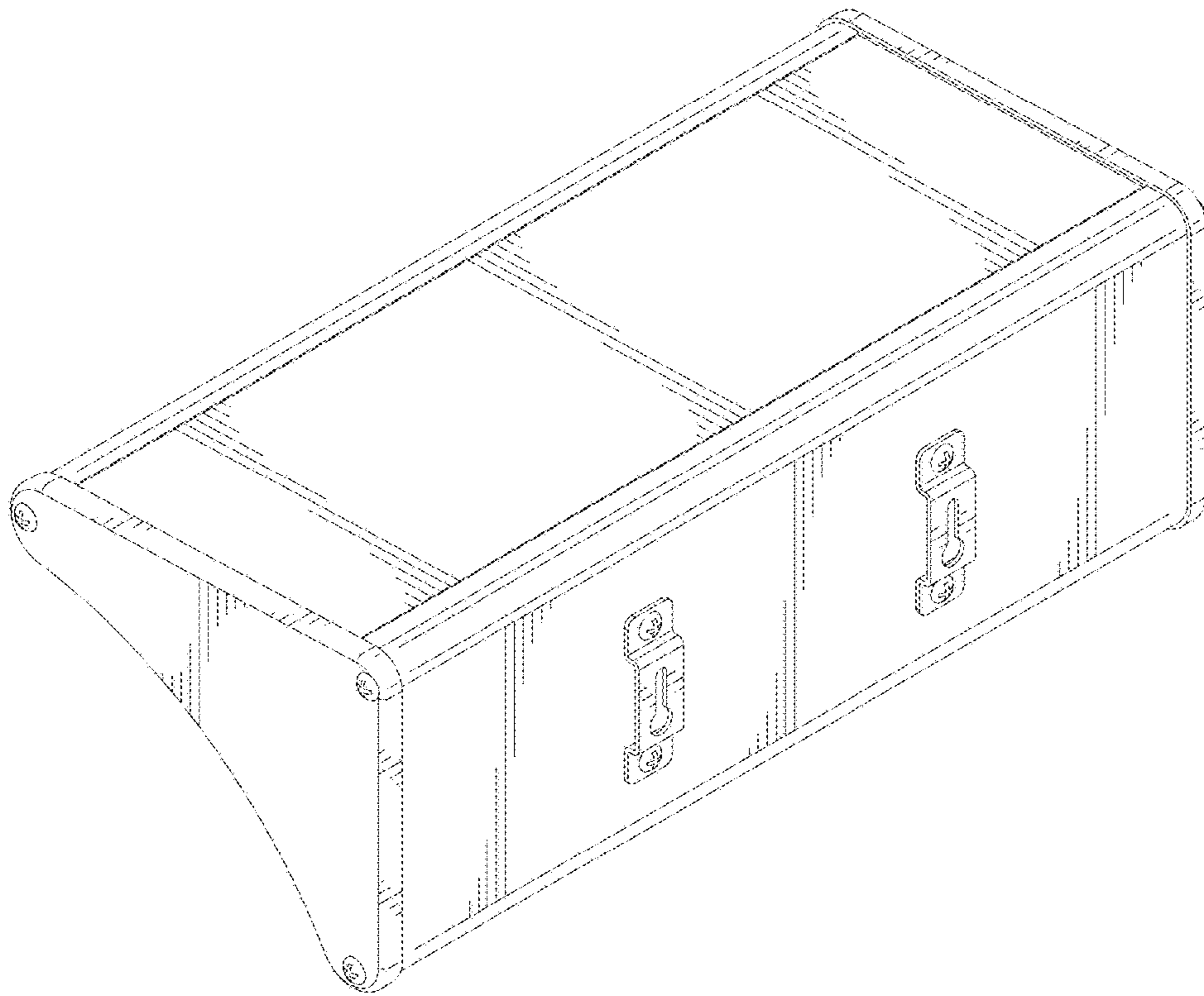


FIG.3

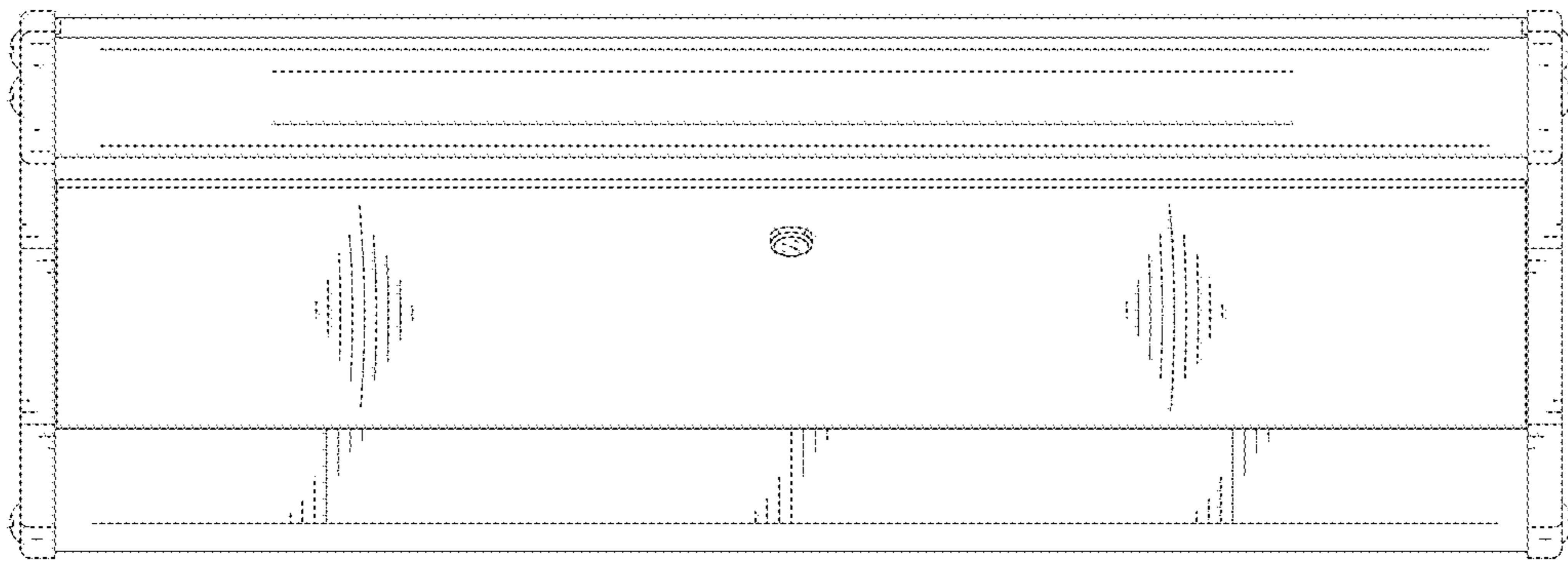


FIG.4

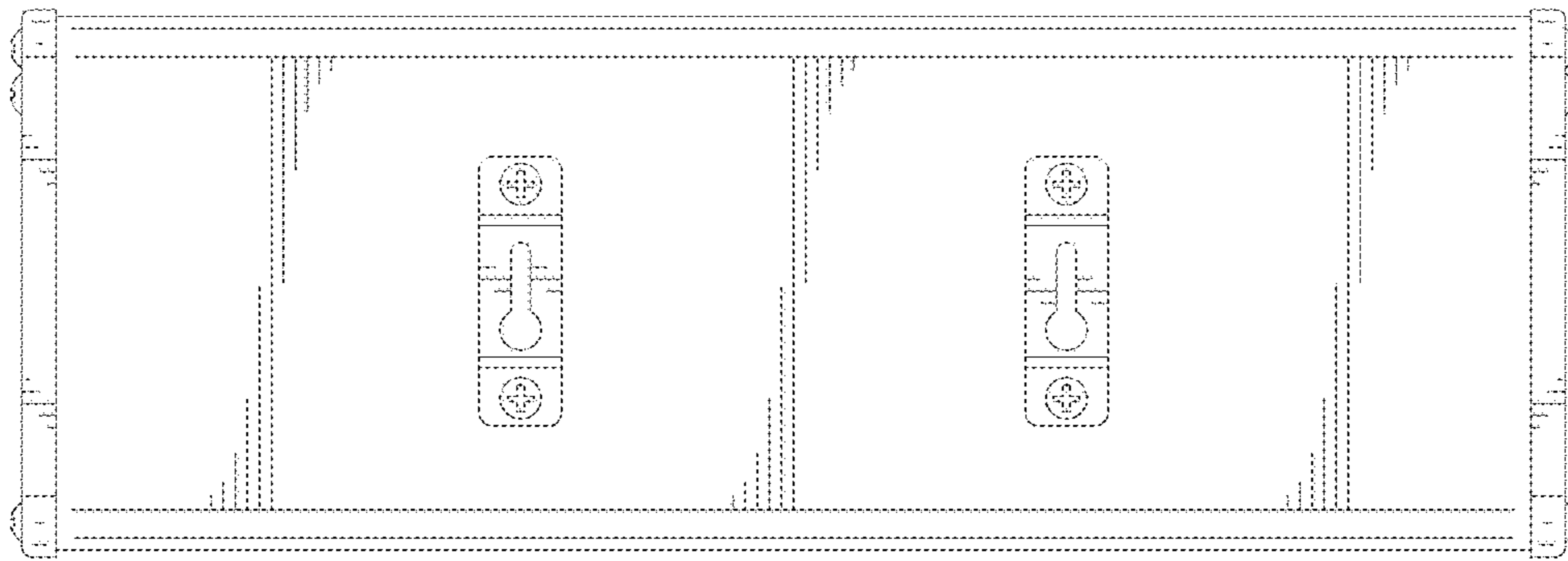


FIG.5

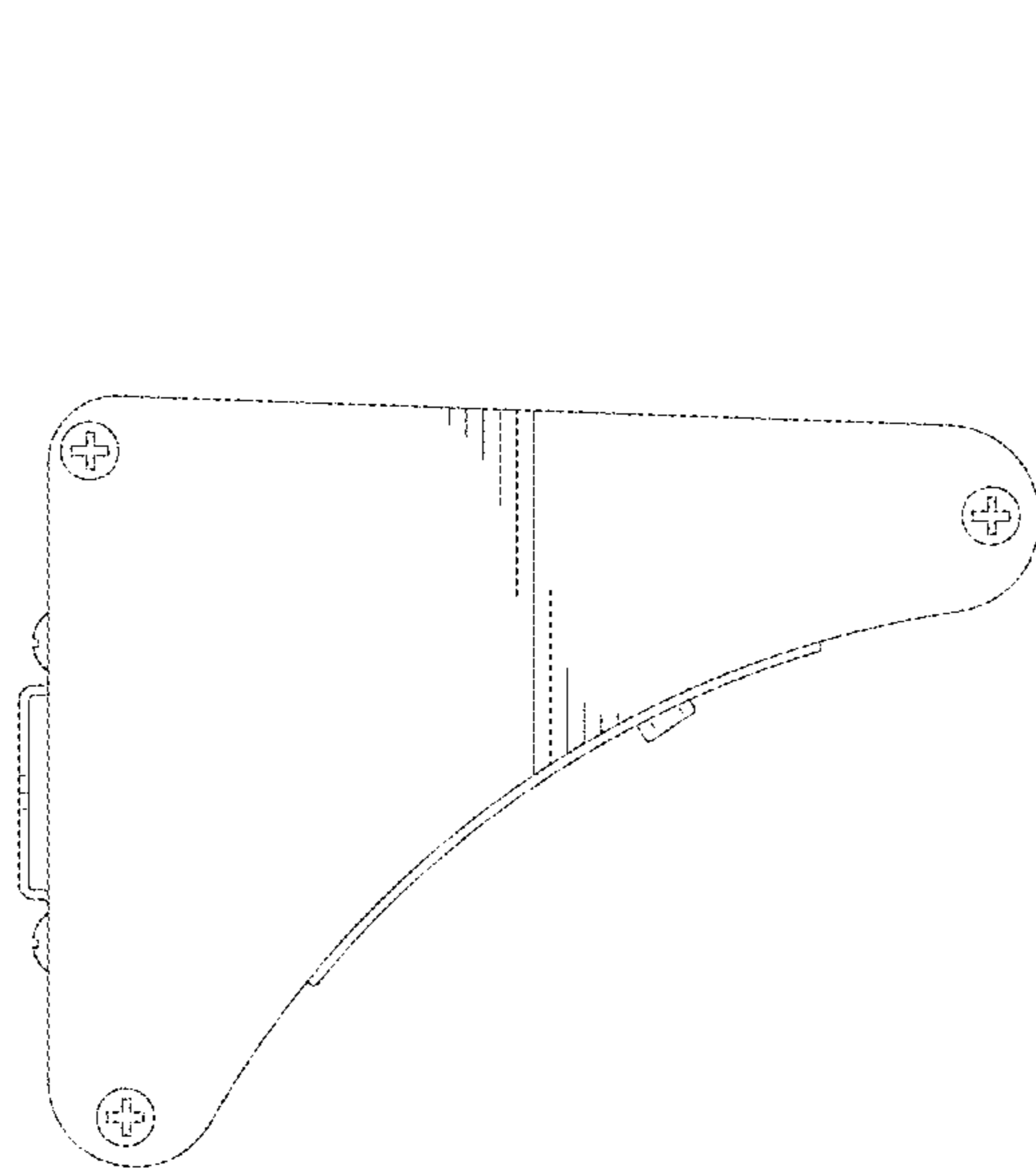


FIG.6

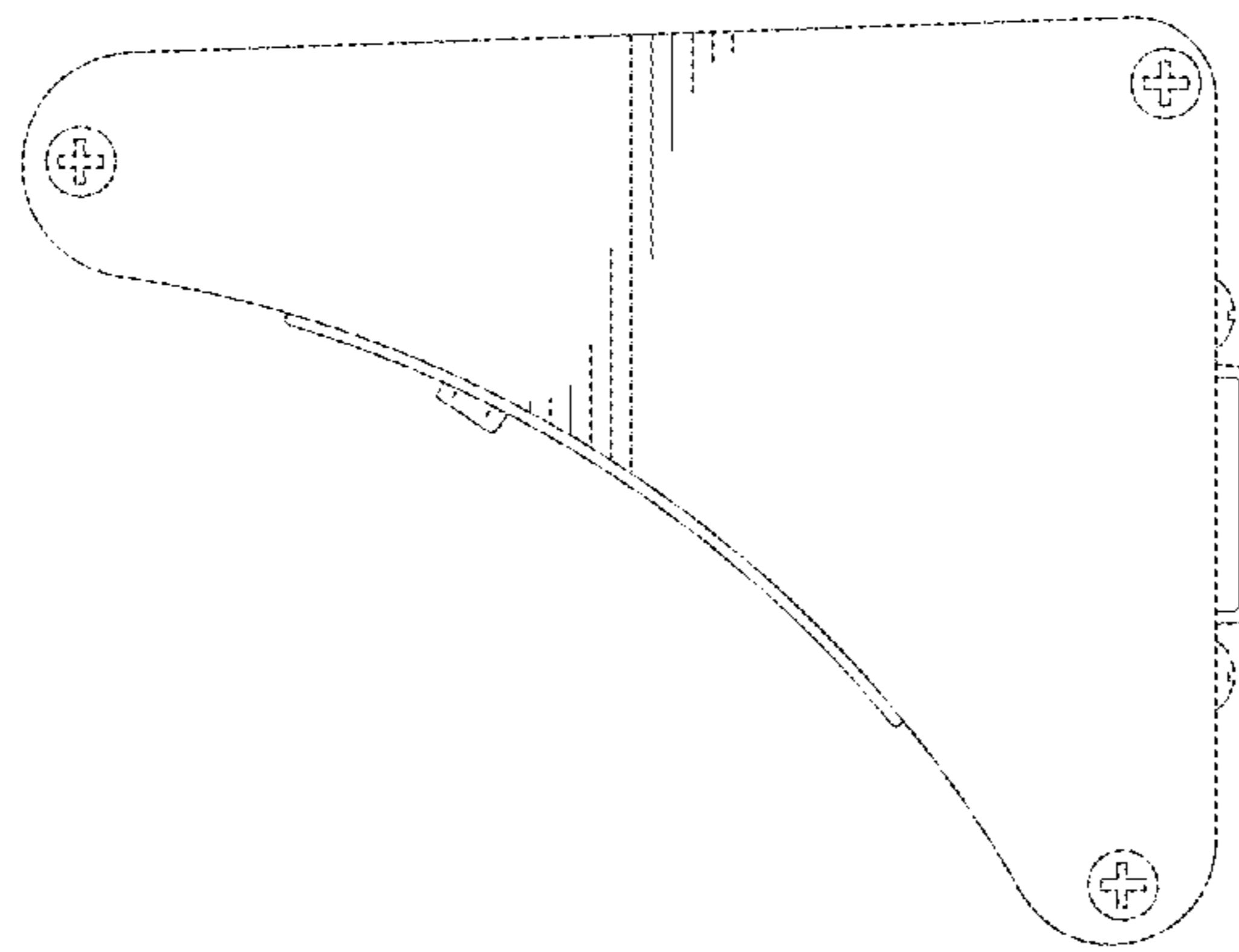


FIG.7



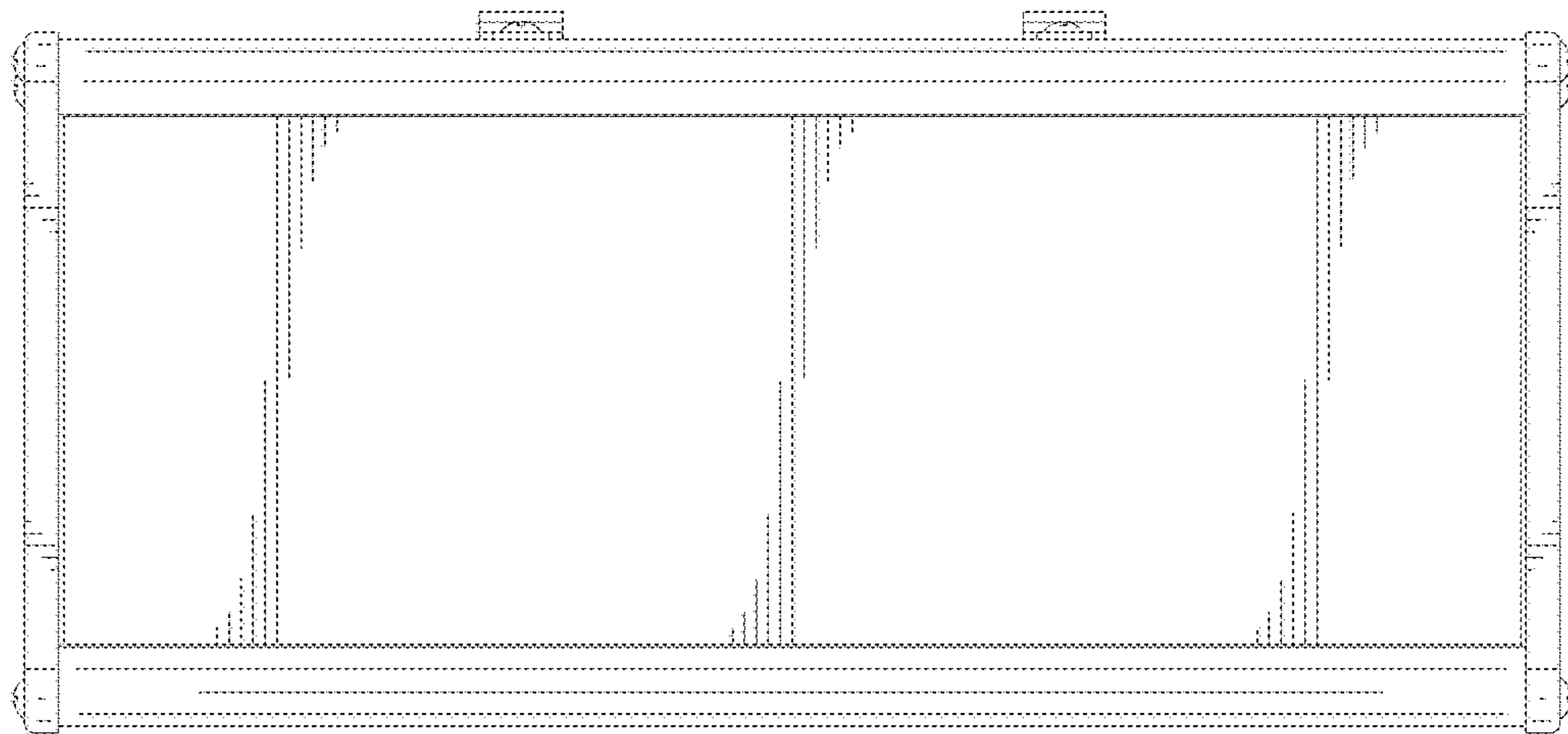


FIG.8

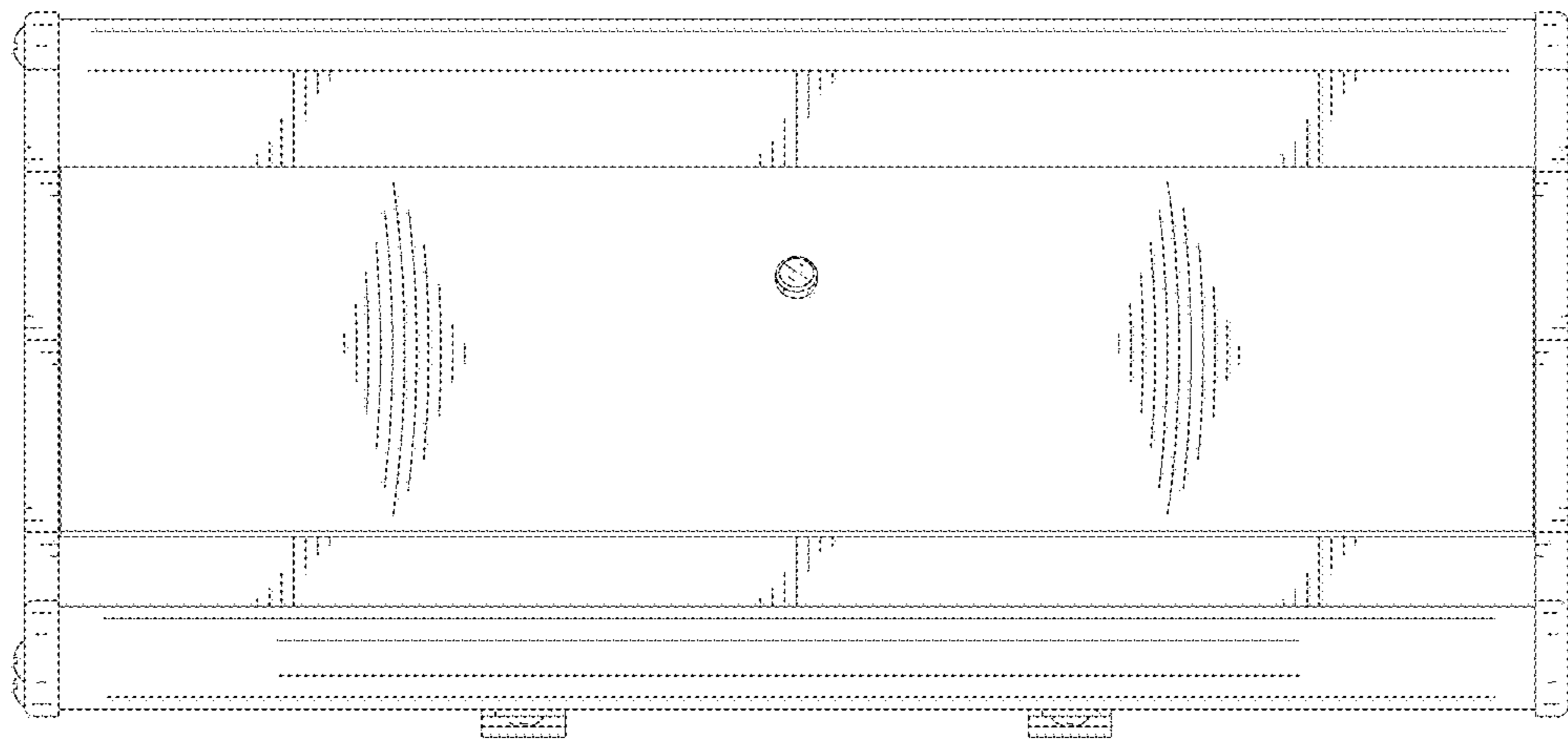


FIG.9