



US00D834735S

(12) **United States Design Patent**  
**Ng et al.**

(10) **Patent No.:** **US D834,735 S**

(45) **Date of Patent:** **\*\* Nov. 27, 2018**

(54) **LAMP**

D753,329 S \* 4/2016 Lee ..... D26/65  
D775,399 S \* 12/2016 Fioravanti ..... D26/107  
D804,072 S \* 11/2017 Xu ..... D26/63

(71) Applicant: **Koncept Technologies, Inc.**, Monrovia,  
CA (US)

\* cited by examiner

(72) Inventors: **Edmund Ng**, Monrovia, CA (US);  
**Kenneth Ng**, Monrovia, CA (US)

*Primary Examiner* — Brian N Vinson

(74) *Attorney, Agent, or Firm* — Steins & Associates, P.C.

(73) Assignee: **KONCEPT TECHNOLOGIES, INC.**,  
Monrovia, CA (US)

(57) **CLAIM**

(\*\*) Term: **15 Years**

What is claimed is the ornamental design for a lamp, as shown.

(21) Appl. No.: **29/598,724**

**DESCRIPTION**

(22) Filed: **Mar. 28, 2017**

(51) **LOC (11) Cl.** ..... **26-03**

(52) **U.S. Cl.**  
USPC ..... **D26/65**

(58) **Field of Classification Search**  
USPC ..... D26/1, 24, 61, 63, 65, 85, 93, 106, 107  
CPC ..... F21V 21/14; F21V 15/01; F21V 14/02;  
F21V 21/30; F21V 21/00; F21V 14/00;  
F21S 8/00; F21S 8/003; F21S 8/043;  
F21Y 2105/001

See application file for complete search history.

FIG. 1 is a top perspective view of the lamp positioned in a first position;  
FIG. 2 is a front view thereof;  
FIG. 3 is a back view thereof;  
FIG. 4 is a right side view thereof;  
FIG. 5 is a left side view thereof;  
FIG. 6 is a top view thereof;  
FIG. 7 is a bottom view thereof;  
FIG. 8 is a perspective view of the lamp positioned in a second position; and,  
FIG. 9 is a perspective view of the lamp positioned in a third position.

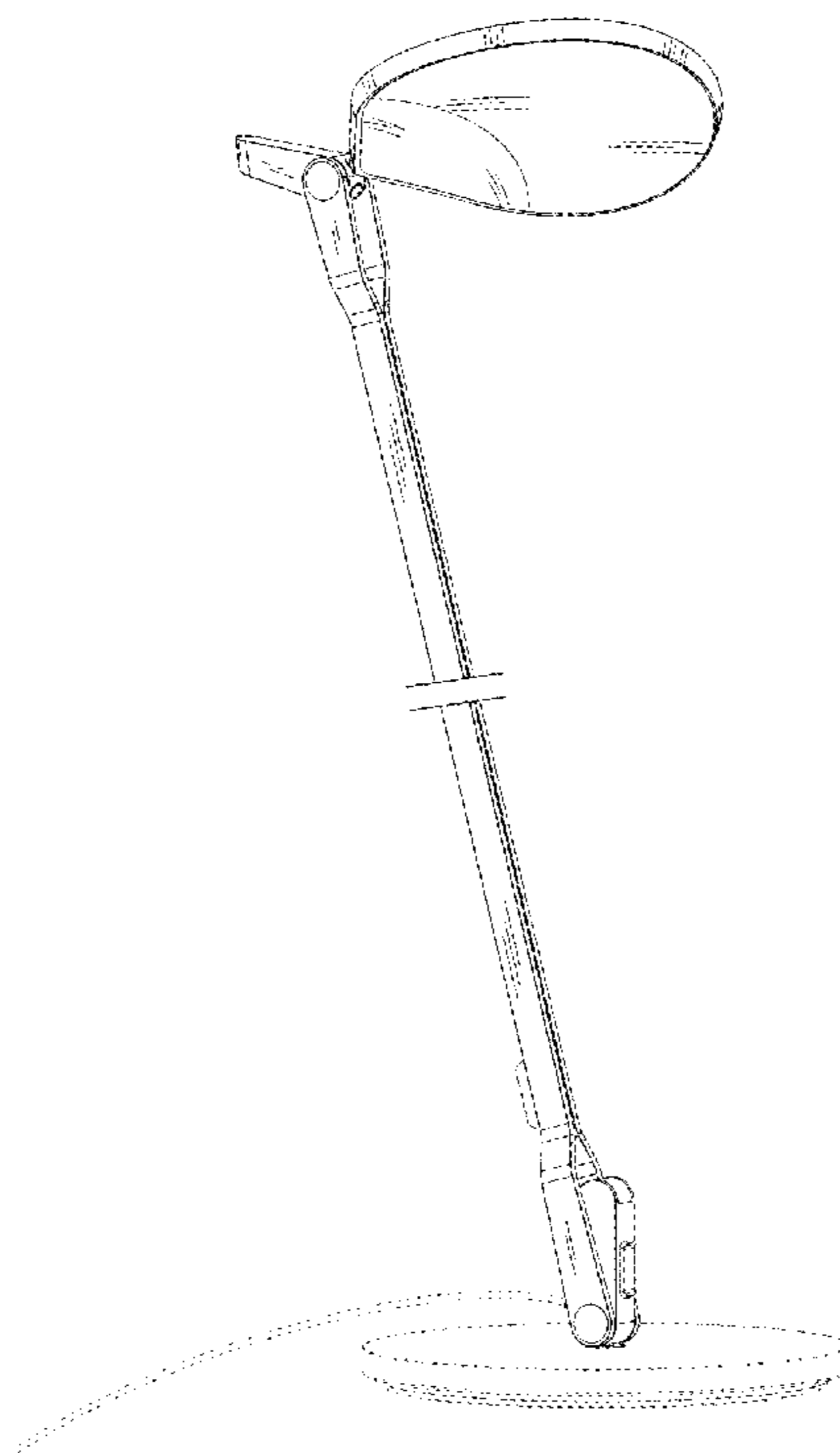
The portions of the lamp shown in broken lines form no part of the claimed design. The lamp is shown with symbolic breaks in its length. The appearance of any portion of the article between the break lines form no part of the claimed design.

(56) **References Cited**

**U.S. PATENT DOCUMENTS**

D515,235 S \* 2/2006 Opolka ..... D26/107  
D617,933 S \* 6/2010 Ng ..... D26/65  
D650,937 S \* 12/2011 Horsley ..... D26/65  
D663,062 S \* 7/2012 Ng ..... D26/65  
D689,642 S \* 9/2013 Huang ..... D26/63

**1 Claim, 9 Drawing Sheets**



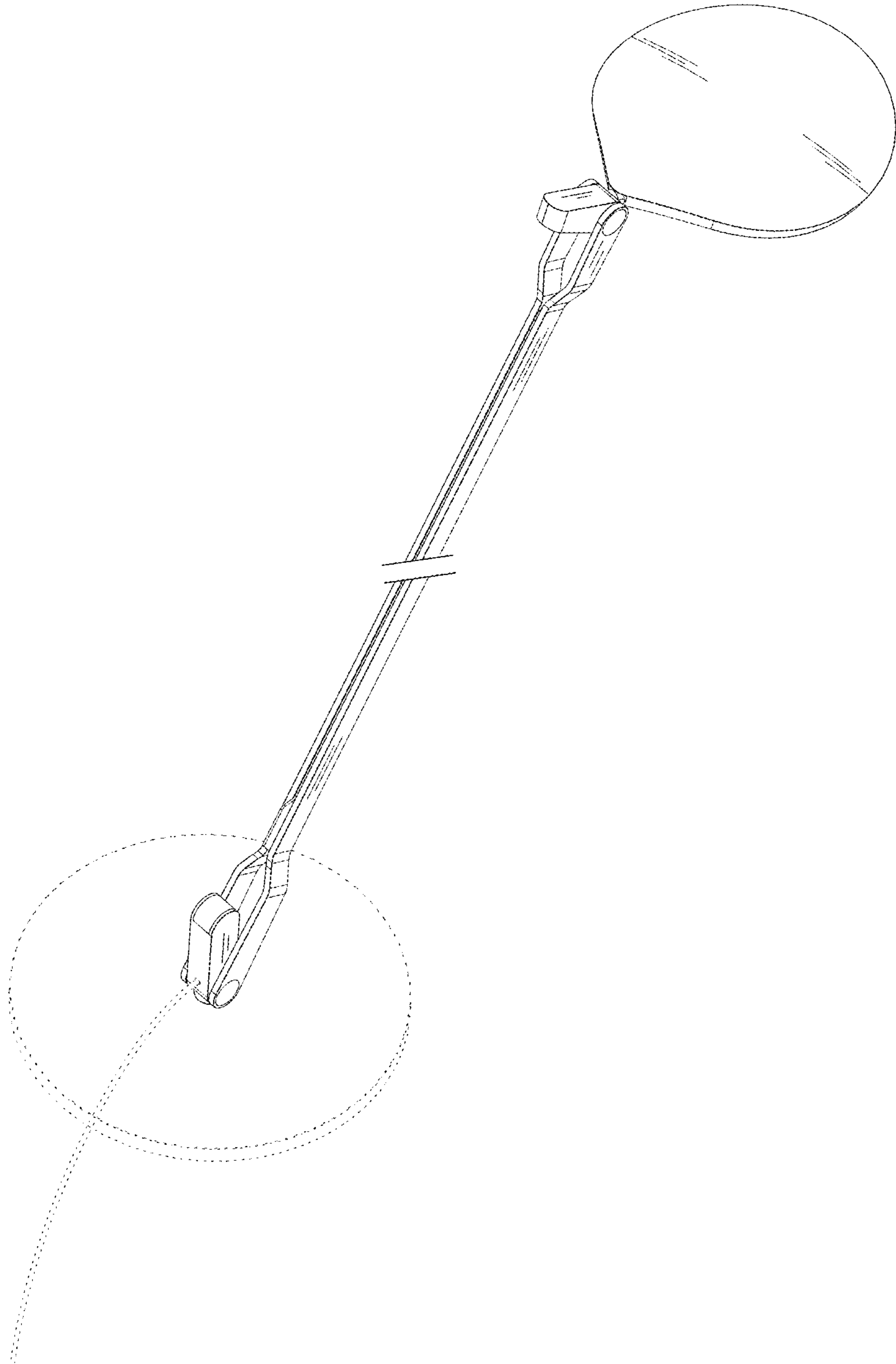


FIG. 1

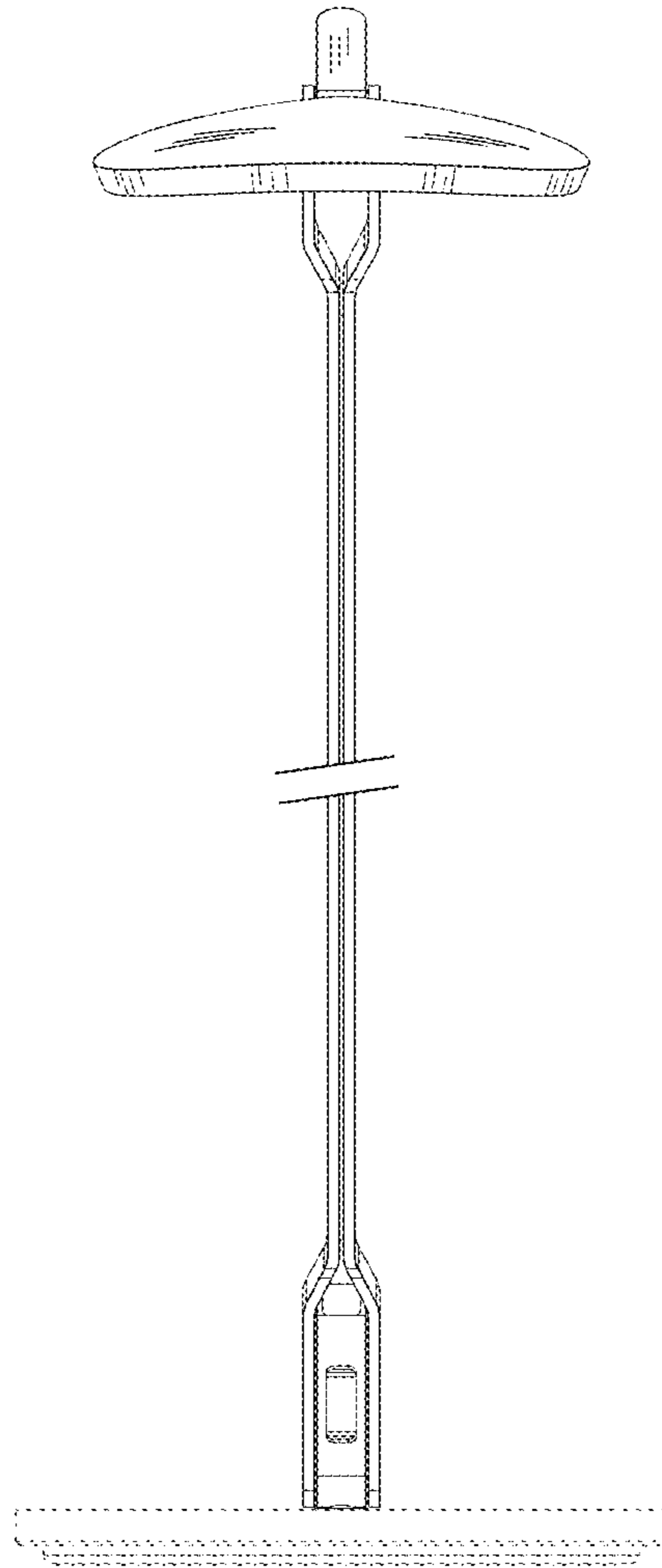


FIG. 2

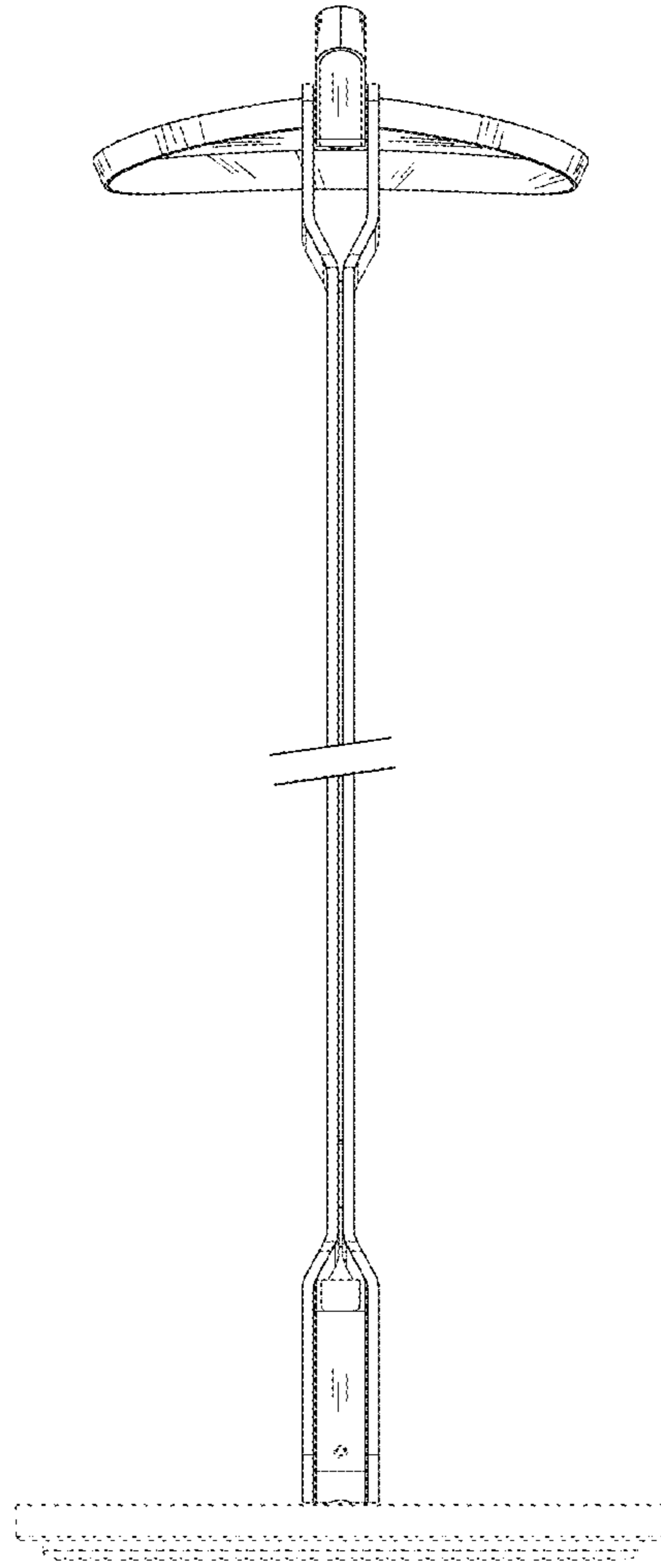


FIG. 3

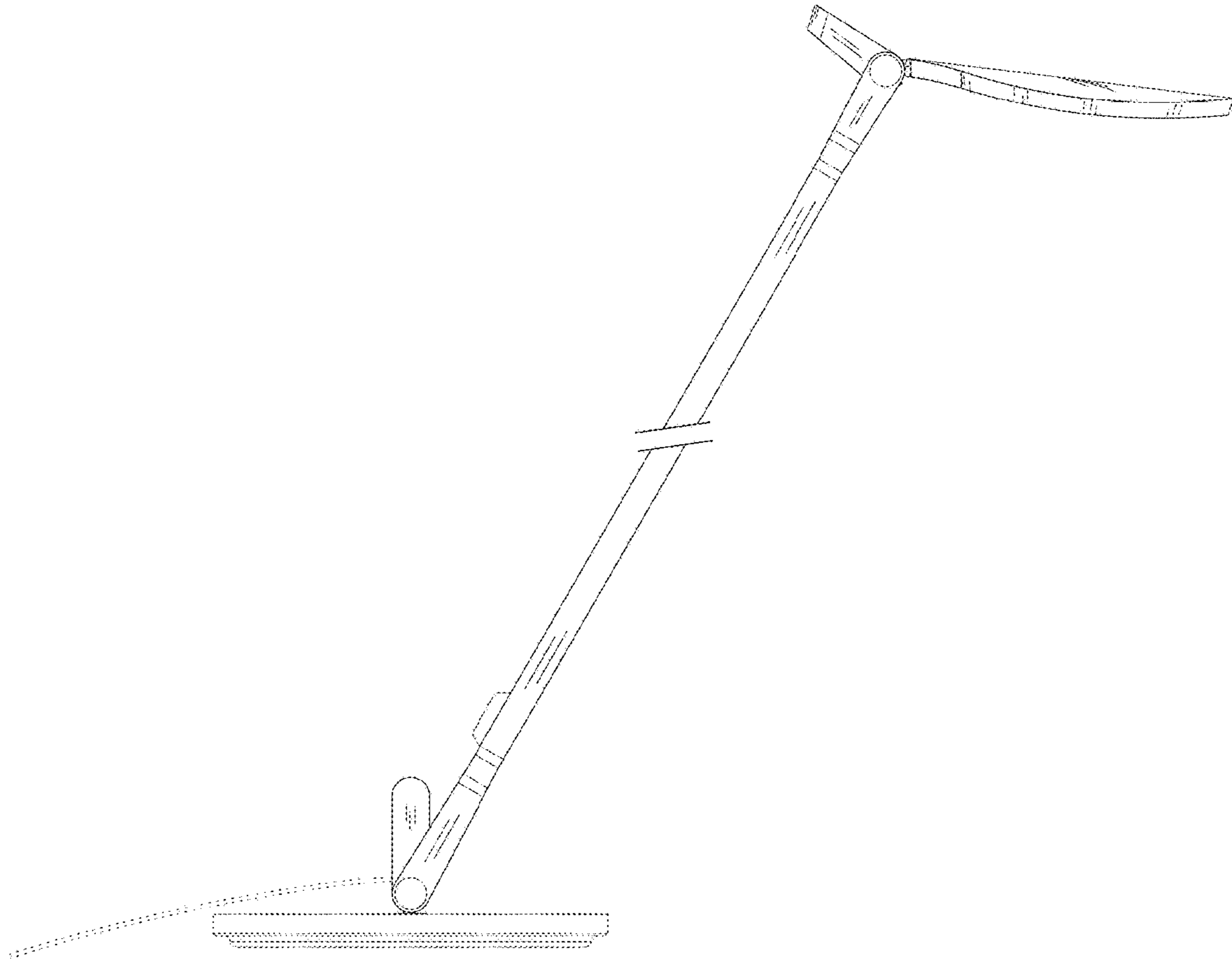


FIG. 4

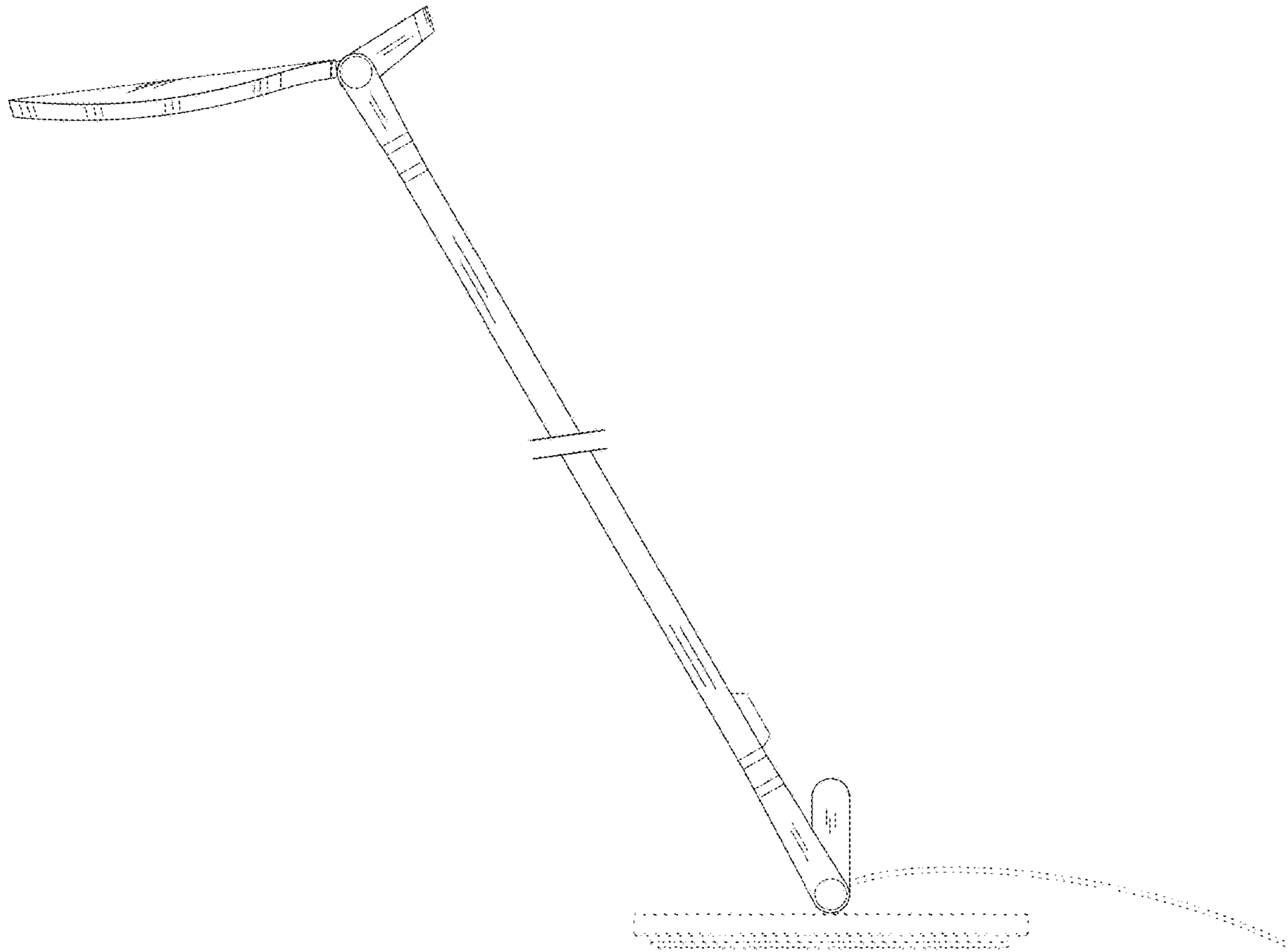


FIG. 5

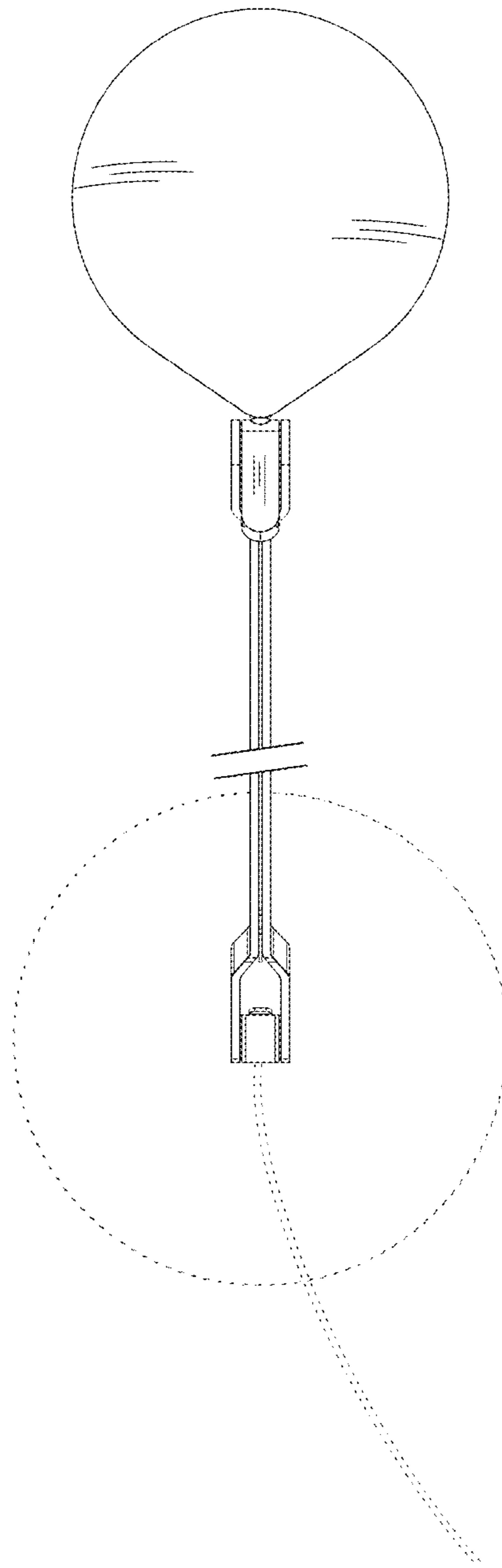


FIG. 6

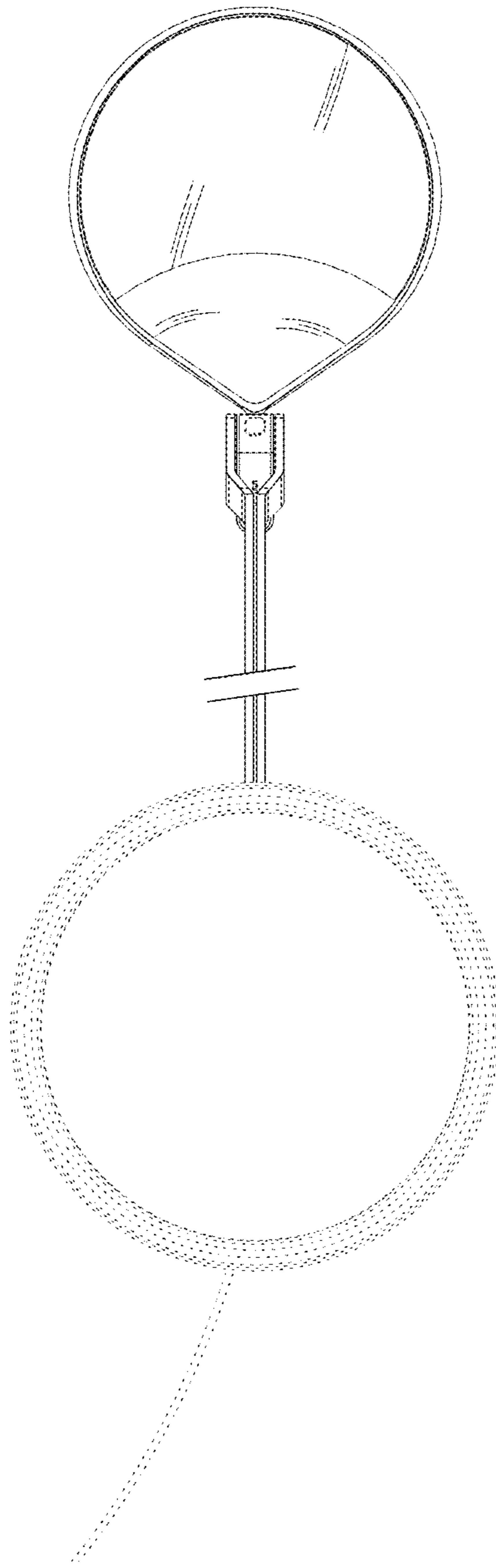


FIG. 7



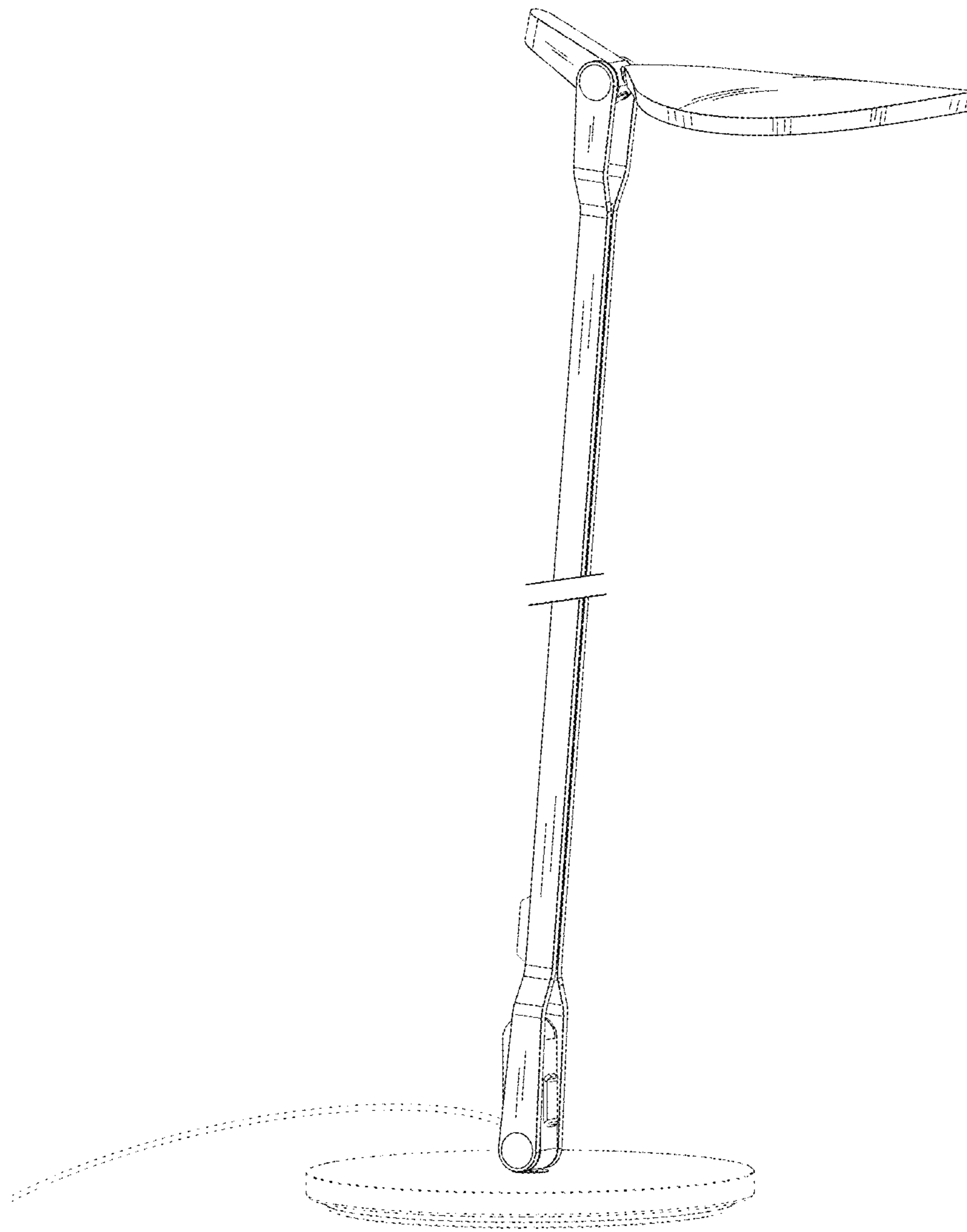


FIG. 8

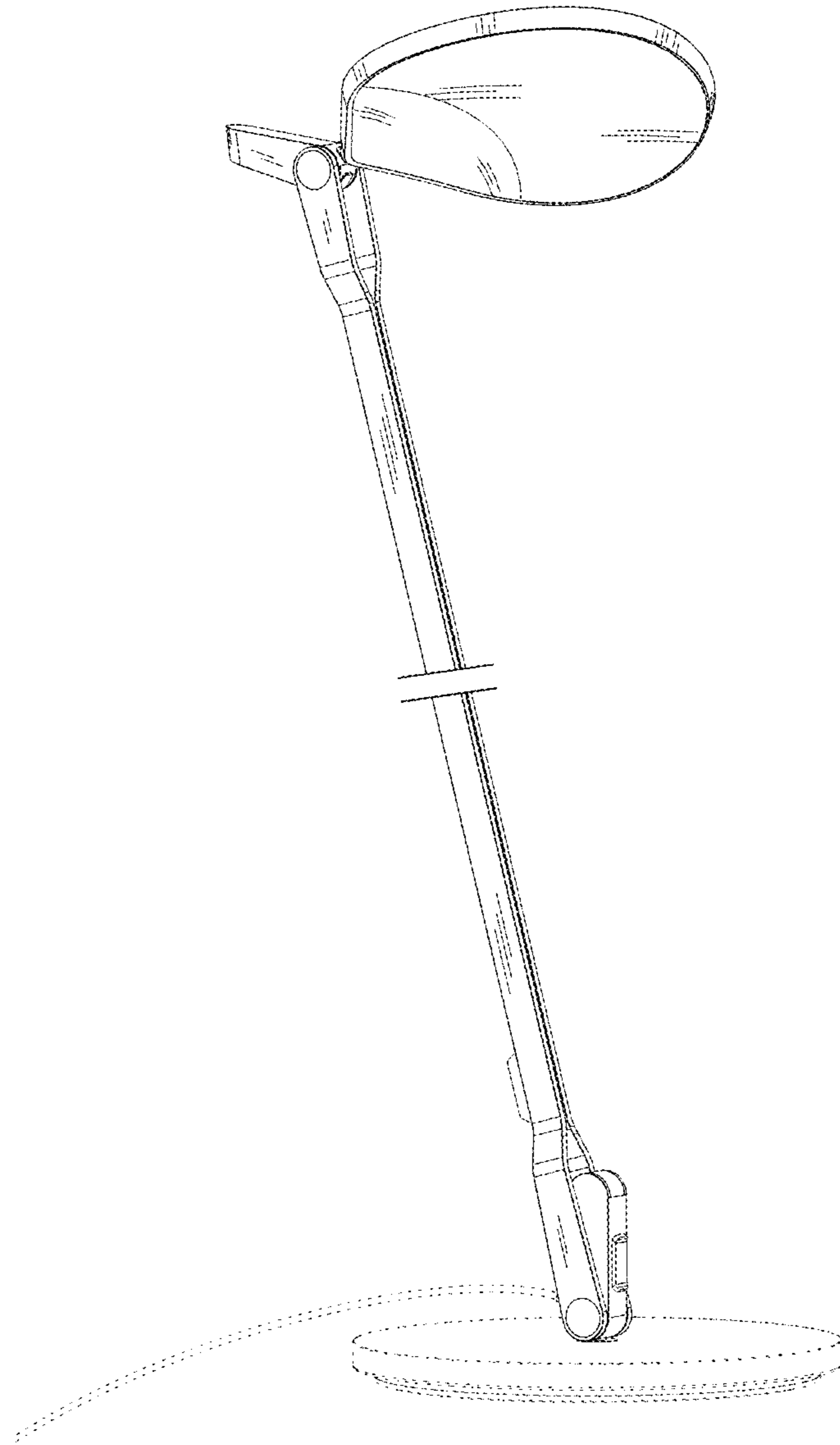


FIG. 9