



US00D834734S

(12) **United States Design Patent** (10) **Patent No.:** **US D834,734 S**
Guthrie (45) **Date of Patent:** **** Nov. 27, 2018**

(54) **CEILING FAN LIGHT KIT**
(71) Applicant: **HUNTER FAN COMPANY,**
Memphis, TN (US)
(72) Inventor: **Benjamin Scotti Guthrie,**
Germantown, TN (US)
(73) Assignee: **Hunter Fan Company,** Memphis, TN
(US)

D389,908 S 1/1998 Dolan
D393,902 S 4/1998 Pickett
5,947,436 A * 9/1999 Bucher F04D 29/601
248/27.1
D421,113 S * 2/2000 Zuege D23/377
D443,713 S * 6/2001 Benensohn D26/72
D453,216 S 1/2002 Gajewski
D454,633 S 3/2002 Young
(Continued)

(**) Term: **15 Years**

IN 256845 S1 3/2014

(21) Appl. No.: **29/617,133**

OTHER PUBLICATIONS

(22) Filed: **Sep. 12, 2017**

Hunter Mercado 50 in. Indoor Brushed Nickel Ceiling Fan, date first available Oct. 20, 2016, site visited Aug. 14, 2017, Copyright © 1996-2017, <https://www.amazon.com/Hunter-Mercado-Indoor-Brushed-Ceiling/dp/B01FD1TYRA/ref=sr_1_1?ie=UTF8&qid=1502732678&sr=8-1&keywords=hunter+ceiling+fan+mercado>.*

Related U.S. Application Data

(62) Division of application No. 29/558,301, filed on Mar. 16, 2016, now Pat. No. Des. 804,639.

(51) **LOC (11) Cl.** **26-05**

(52) **U.S. Cl.**
USPC **D26/59**; D26/89

(58) **Field of Classification Search**
USPC D23/335-337, 355, 370-385, 411-414;
D26/59, 67, 72, 80-89, 92, 104-105, 110,
D26/113, 118-119, 128-137
CPC F04D 25/088; F21V 33/0096; F21V 21/03;
F21V 17/002; F21V 23/007; F21V 23/04;
F21V 23/0485; F21V 15/01; F21V
19/006; F21V 19/04; F21V 21/02; F21V
23/002; F21V 23/005; F21V 33/0052;
F21V 7/22

See application file for complete search history.

(56) **References Cited**

U.S. PATENT DOCUMENTS

4,073,598 A 2/1978 Mizutani
D314,618 S 2/1991 Yen
D328,491 S 8/1992 Markwardt
D331,101 S * 11/1992 Rezek D23/377
D372,080 S 7/1996 Dolan

(Continued)

Primary Examiner — Cathron C Brooks
Assistant Examiner — Sharon S Oum
(74) *Attorney, Agent, or Firm* — McGarry Bair PC

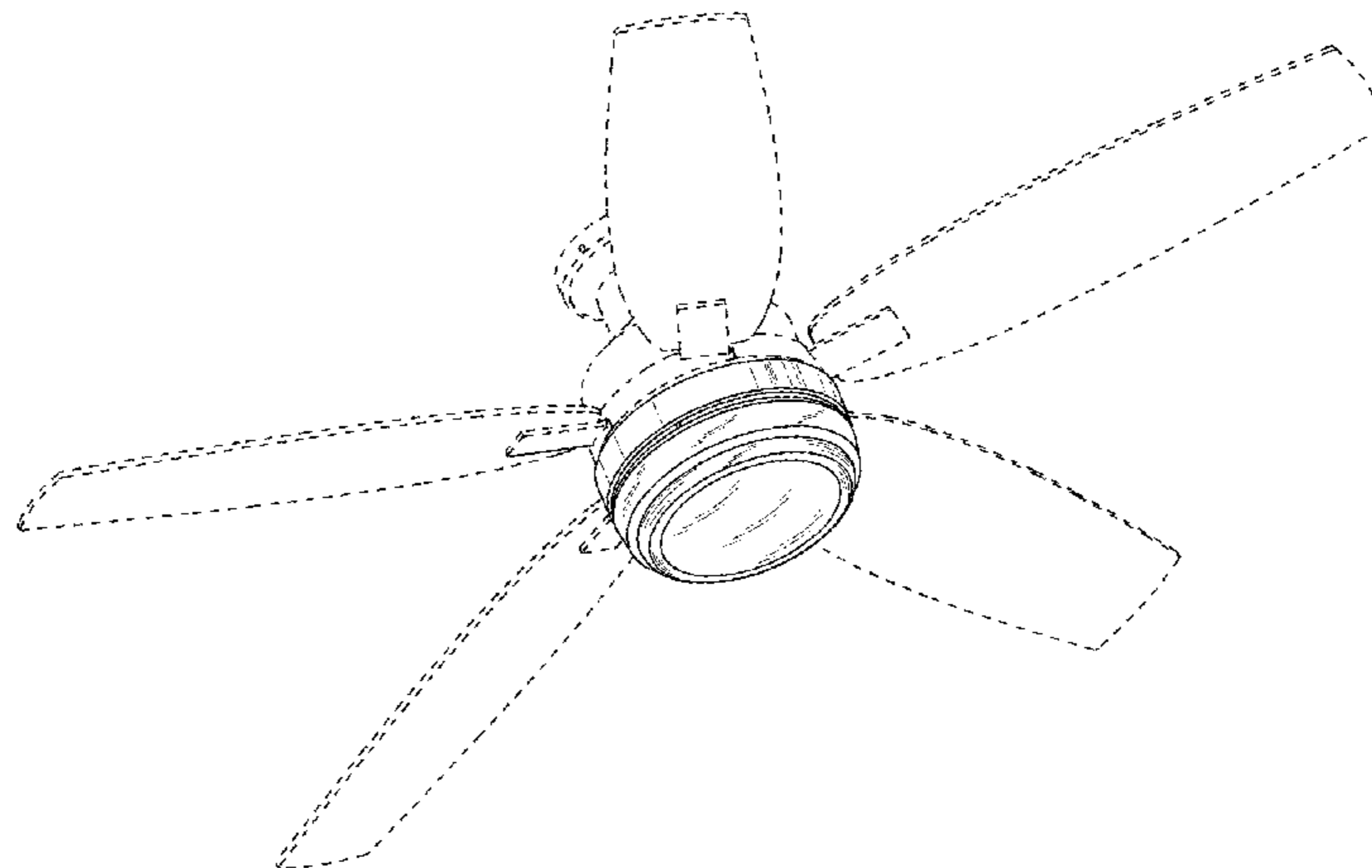
(57) **CLAIM**

The ornamental design for a ceiling fan light kit, as shown and described.

DESCRIPTION

FIG. 1 is a top perspective view of a ceiling fan light kit showing my new design;
FIG. 2 is a bottom perspective view thereof;
FIG. 3 is a top view thereof;
FIG. 4 is a bottom view thereof; and,
FIG. 5 is a left side view thereof, with rear, right, and left side views being mirror images thereof.
The broken lines illustrate portions of the ceiling fan and form no part of the claimed design.

1 Claim, 5 Drawing Sheets



(56)

References Cited

U.S. PATENT DOCUMENTS

D468,049 S * 12/2002 Ries D26/89
 D473,887 S * 4/2003 Jones 396/427
 D478,974 S 8/2003 Hidalgo
 D484,964 S 1/2004 Young
 D489,124 S * 4/2004 Young D23/377
 D512,139 S * 11/2005 Hidalgo D23/377
 D512,497 S 12/2005 Young
 D539,964 S * 4/2007 Hsu D26/88
 D549,866 S * 8/2007 Pan D26/59
 D567,987 S * 4/2008 Khubani D26/85
 D570,532 S * 6/2008 Camarota D26/120
 D571,034 S * 6/2008 Goetz-Schaefer D26/85
 D571,035 S * 6/2008 Yu D26/89
 D576,265 S * 9/2008 Bucher D23/377
 D594,541 S 6/2009 Pan
 D594,542 S 6/2009 Pan
 D603,955 S 11/2009 Patton
 D607,600 S * 1/2010 Keith D26/104
 D615,692 S * 5/2010 Lavallee D26/67
 D627,456 S 11/2010 Glasbrenner
 D628,688 S 12/2010 Pan
 D632,381 S 2/2011 Davenport
 D645,583 S * 9/2011 Kim D26/2
 D671,632 S 11/2012 Davenport
 D691,763 S * 10/2013 Hand D26/89
 D694,463 S * 11/2013 Sieczkowski D26/124
 D704,819 S 5/2014 Wang
 D706,406 S 6/2014 Wang
 D706,410 S * 6/2014 Pan D23/411
 D707,336 S 6/2014 Pan
 D714,925 S 10/2014 Pan
 D715,917 S 10/2014 Hidalgo
 D729,970 S * 5/2015 Jepson D26/89
 D744,633 S 12/2015 Wang
 D744,634 S 12/2015 Wang
 D747,824 S * 1/2016 Stolte F21V 29/004
 D26/89
 D751,187 S 3/2016 Dolan
 D753,753 S * 4/2016 Moon D16/203
 D759,877 S * 6/2016 Hewitt D26/89
 D769,506 S * 10/2016 Orozco D26/82

D771,794 S 11/2016 Wang
 D773,102 S * 11/2016 Meise D26/89
 D783,145 S * 4/2017 Wang D23/411
 D785,848 S * 5/2017 Couture D26/89
 D789,511 S * 6/2017 Wang D23/377
 D804,639 S * 12/2017 Guthrie D23/377
 D805,174 S * 12/2017 Guthrie D23/377
 D809,691 S * 2/2018 Wang D26/59
 2015/0009666 A1 * 1/2015 Keng F21V 23/005
 362/235
 2015/0078906 A1 3/2015 Wang
 2015/0369252 A1 * 12/2015 Janecek H02K 21/145
 417/420

OTHER PUBLICATIONS

Quorum International 65524-95 Davenport 52-Inch Hugger Ceiling Fan, date first available Jan. 27, 2009, site visited Aug. 14, 2017, Copyright © 1996-2017, <https://www.amazon.com/Quorum-International-65524-95-Davenport-52-Inch/dp/B007SV5568/ref=sr_1_2?s=hi&ie=UTF8&qid=1502728686&sr=1-2&keywords=quorum+international+65524>.*
<http://www.fanimation.com/products/index.php/fans/xeno.html>, Item Specification for the Fanimation Xeno Model No. FP6728, accessed Mar. 16, 2016.
<http://ceilingfans.emerson.com/shop/en/fan/fans-s-emerson-fans/fans-s-contemporary/highpointe-fan-p-cf205>, Item Specification for the Emerson Highpointe Model No. CF205GES, accessed Mar. 16, 2016.
<http://www.kingoffans.com/#/products/ceilingFans>, Item Specification for the King of Fans Valparaiso Model No. 61317, accessed Mar. 16, 2016.
<http://www.dtvintagefans.org/forum/showthread.php/9671-revealed-some-interesting-design-in-my-old-CG>, Crompton Greaves Fan, accessed Mar. 16, 2016.
<http://www.kingoffans.com/#/products/ceilingFans>, Item Specification for the Kingoffans Carousel III Model No. 46750, accessed Mar. 16, 2016.

* cited by examiner

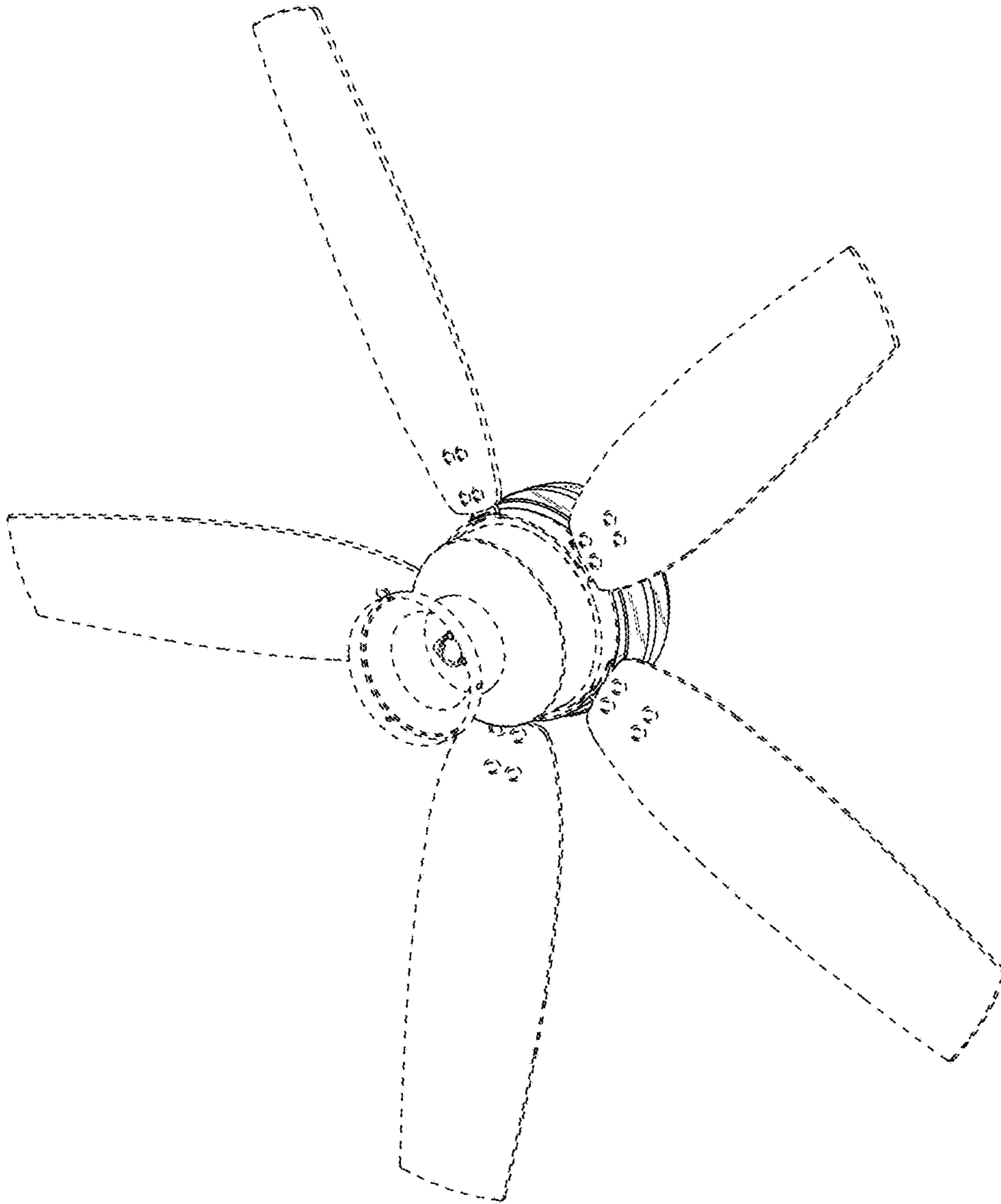


FIG. 1

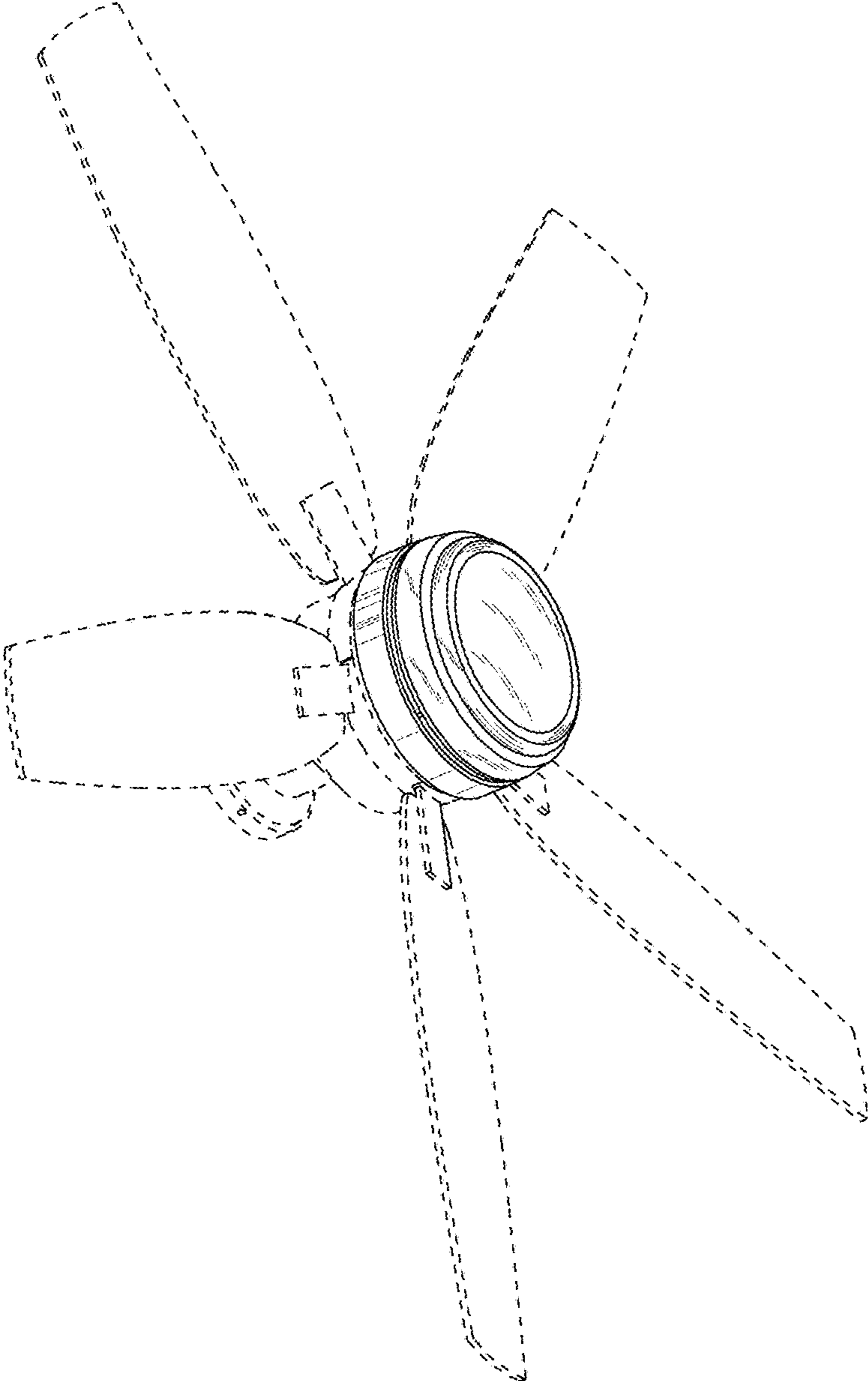


FIG. 2

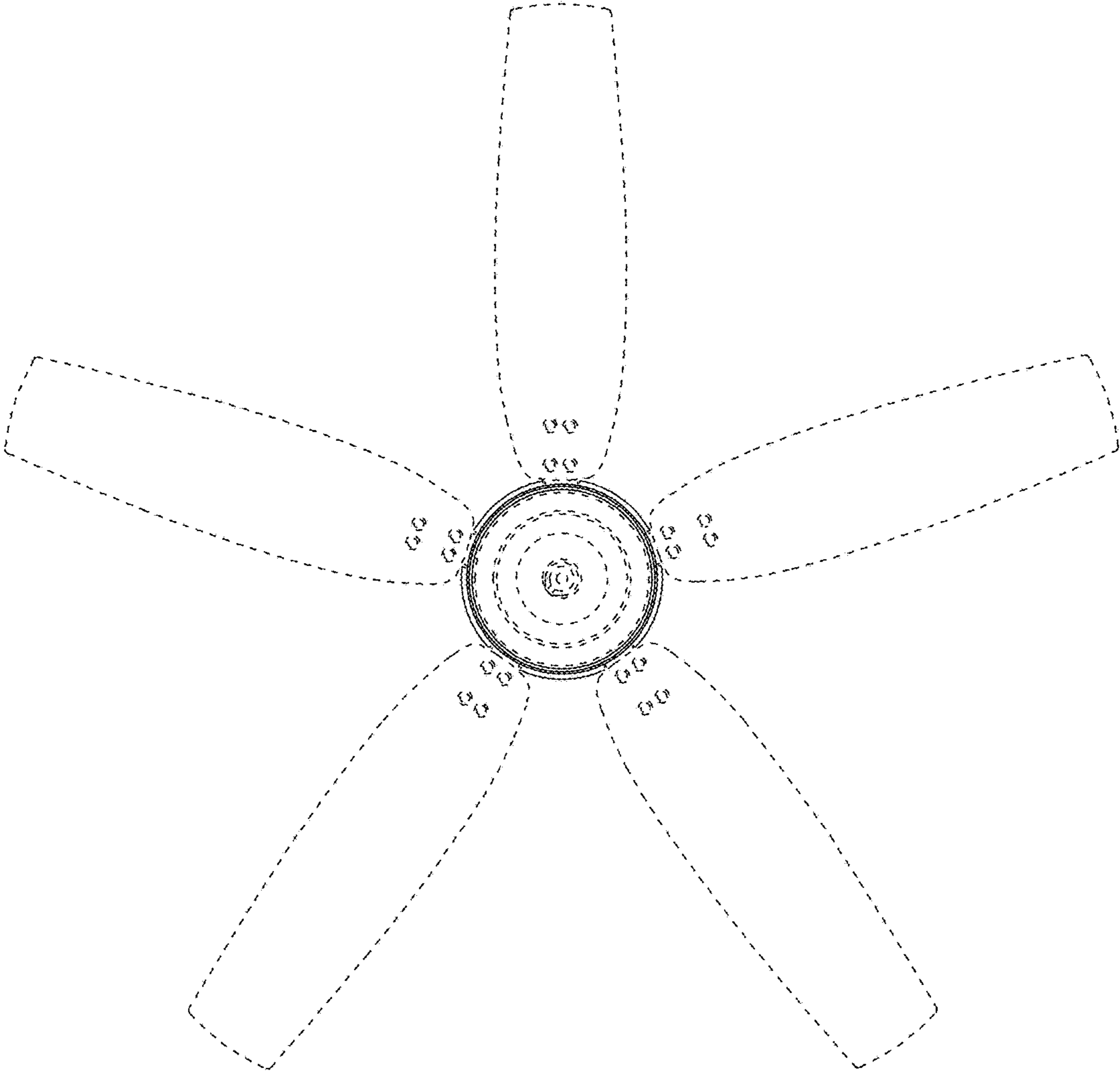


FIG. 3

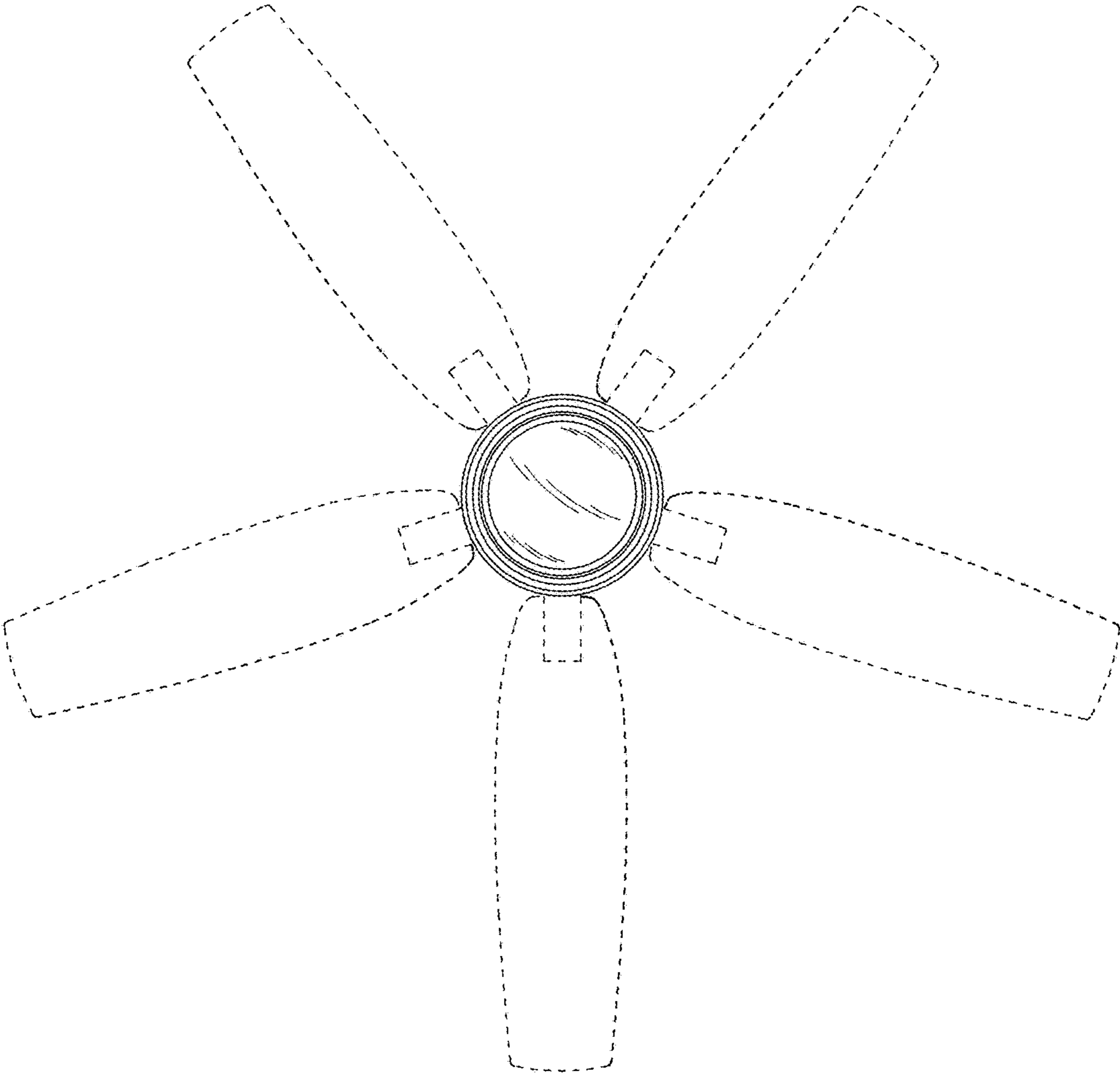


FIG. 4

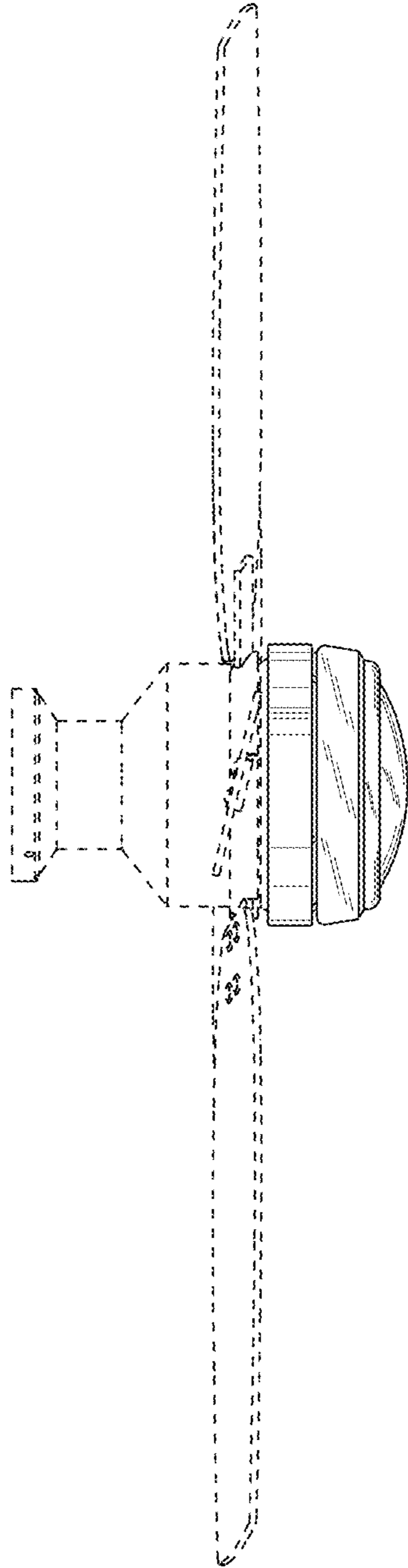


FIG. 5