

US00D834732S

(12) **United States Design Patent**
Charette

(10) **Patent No.:** **US D834,732 S**

(45) **Date of Patent:** **** Nov. 27, 2018**

(54) **STRINGER CONNECTOR BRACKET**

(71) Applicant: **9143-8010 QUEBEC INC.**, Shawinigan (CA)

(72) Inventor: **Pierre Charette**,
Notre-Dame-du-Mont-Carmel (CA)

(73) Assignee: **9143-8010 QUEBEC INC.**, Shawinigan (CA)

(**) Term: **15 Years**

(21) Appl. No.: **29/564,366**

(22) Filed: **May 12, 2016**

(51) **LOC (11) Cl.** **25-01**

(52) **U.S. Cl.**
USPC **D25/133**

(58) **Field of Classification Search**

USPC D25/102, 110, 119, 124, 125, 126,
D25/133-137, 141; 52/11, 13, 204.2,
52/211, 212, 288.1, 653.1, 663, 718.01;
D8/354, 363, 366, 373, 376, 380, 382;
248/201, 200.1, 205.4, 206.1, 214, 216.4,
248/219.1

CPC E04G 13/00; E04G 17/14; E04G 21/16;
F16B 7/0486; F16M 11/046; G09F 7/18

See application file for complete search history.

(56) **References Cited**

U.S. PATENT DOCUMENTS

D256,663 S * 9/1980 Gilb D8/354
D595,702 S * 7/2009 Bremmon D14/239
D623,044 S * 9/2010 Tezak D8/349

D632,159 S * 2/2011 Charette D8/354
D640,123 S * 6/2011 Stearns D8/355
D643,272 S * 8/2011 Casteel D8/72
D702,620 S * 4/2014 Read D12/223
D707,109 S * 6/2014 Leung D8/363
D759,466 S * 6/2016 Tonthat D8/354
D766,701 S * 9/2016 Snell D8/349
D769,643 S * 10/2016 Holton D6/553
D775,512 S * 1/2017 White D8/354
D780,951 S * 3/2017 Charette D25/133

* cited by examiner

Primary Examiner — Cathron C Brooks

Assistant Examiner — Samantha Q. Lawrence

(74) *Attorney, Agent, or Firm* — Welsh Flaxman & Gitler LLC

(57) **CLAIM**

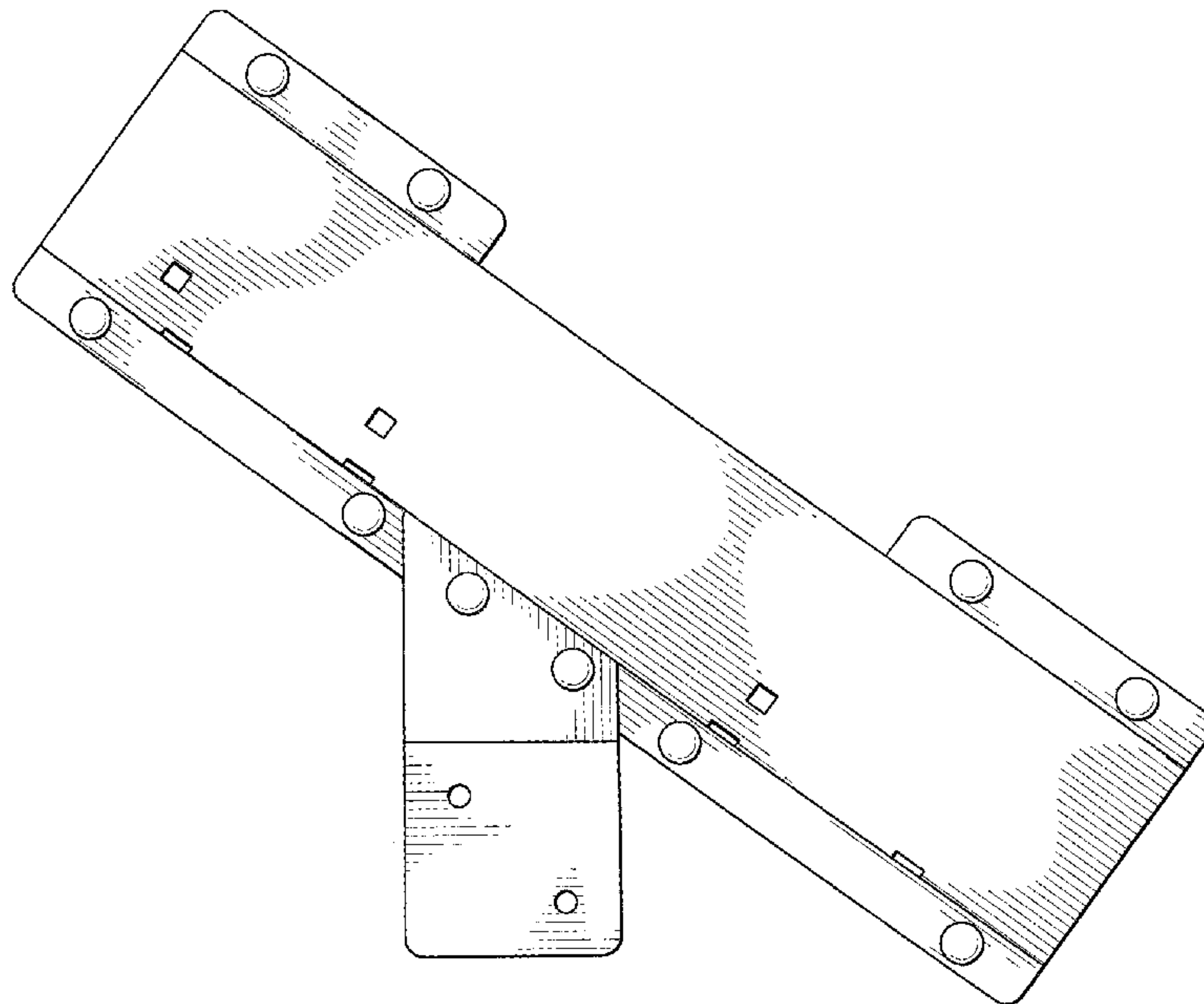
The ornamental design for a stringer connector bracket, as shown and described.

DESCRIPTION

FIG. 1 is a left side view of a stringer connector bracket; FIG. 2 is a right side view of the stringer connector bracket; FIG. 3 is a top view of the stringer connector bracket; FIG. 4 is a bottom view of the stringer connector bracket; FIG. 5 is a front view of the stringer connector bracket; FIG. 6 is a rear view of the stringer connector bracket; FIG. 7 is a side angled perspective view of the stringer connector bracket; and, FIG. 8 is another side angled perspective view of the stringer connector bracket, showing the string connector bracket in an environment of use.

The broken lines shown in FIG. 8 illustrate environment and form no part of the claimed design.

1 Claim, 8 Drawing Sheets



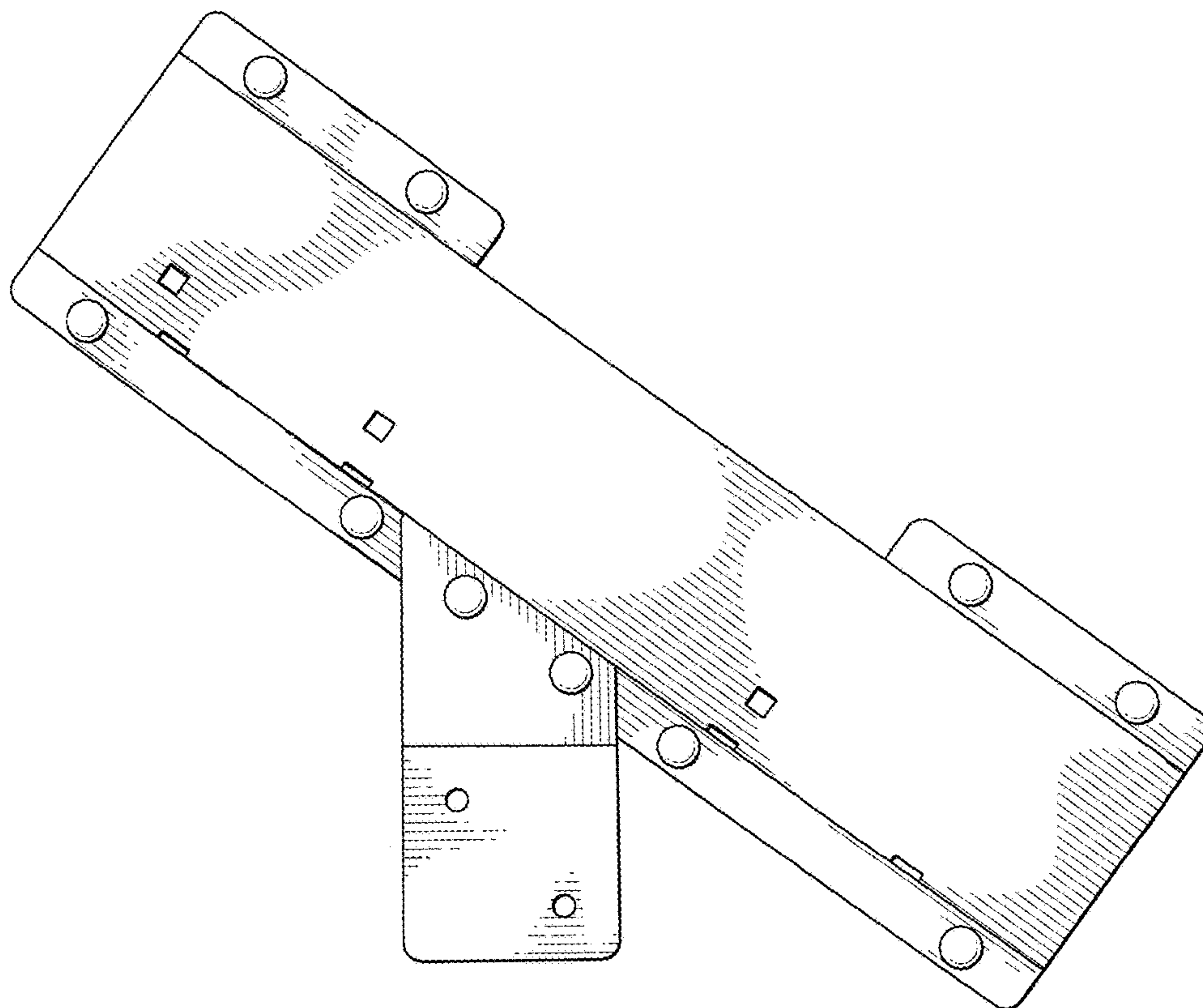


FIGURE 1

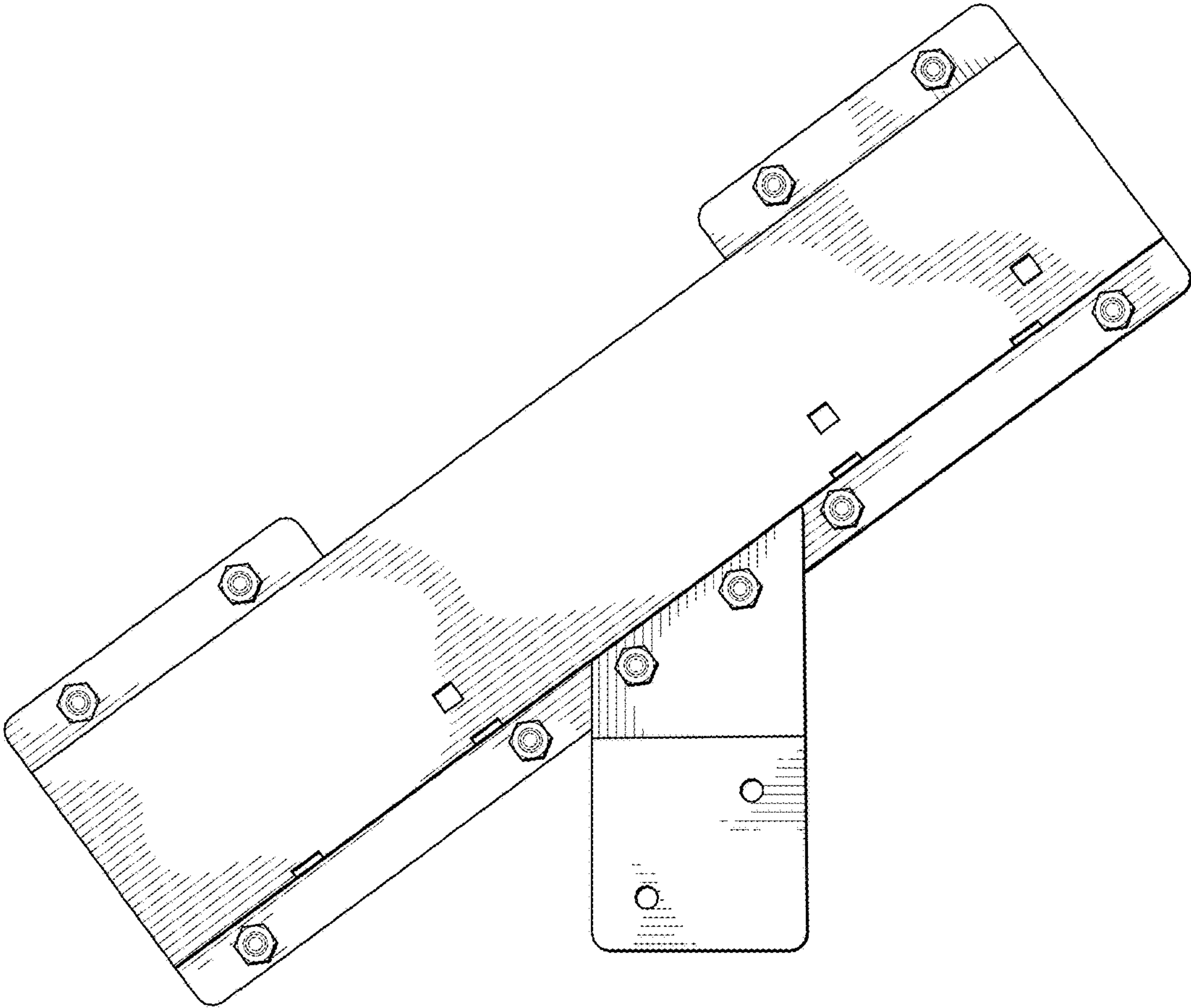


FIGURE 2

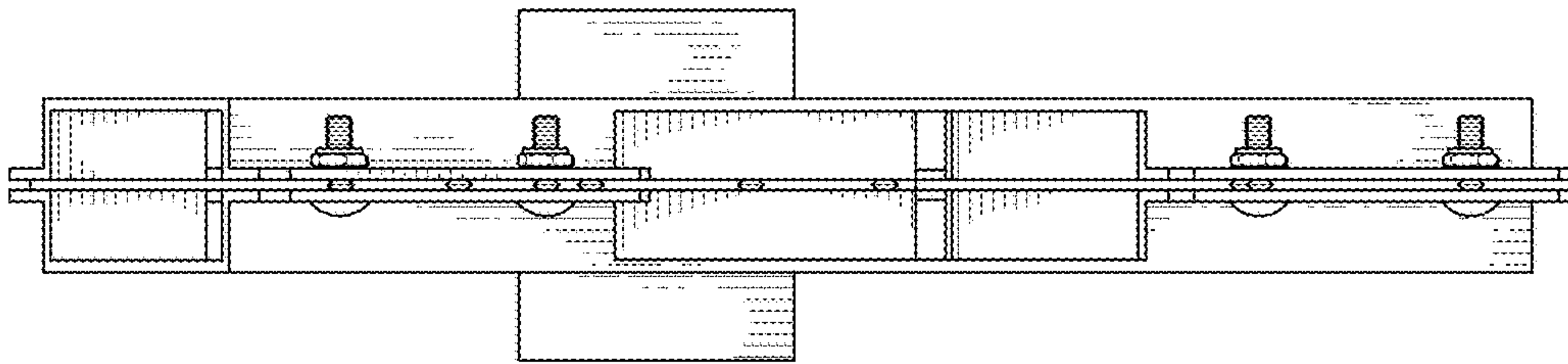


FIGURE 3

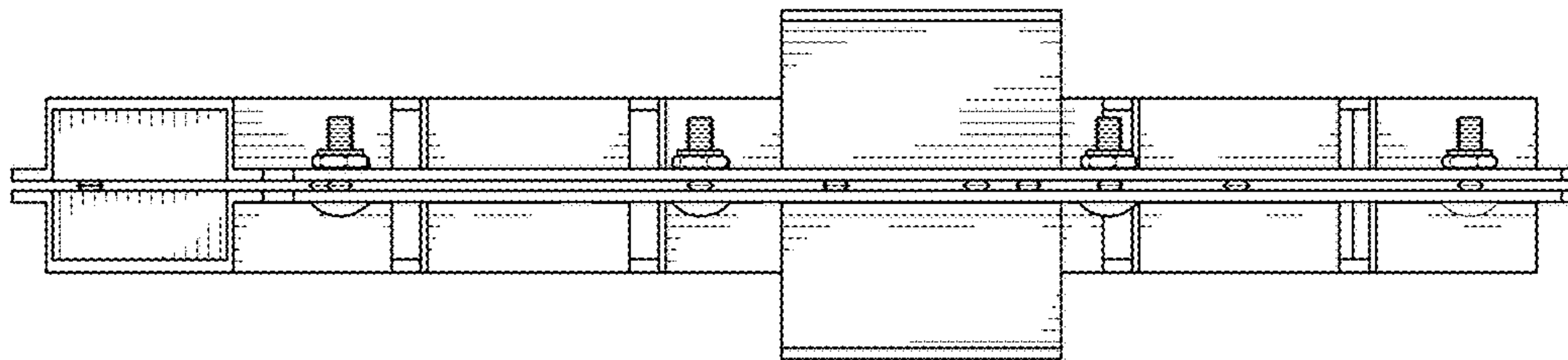


FIGURE 4

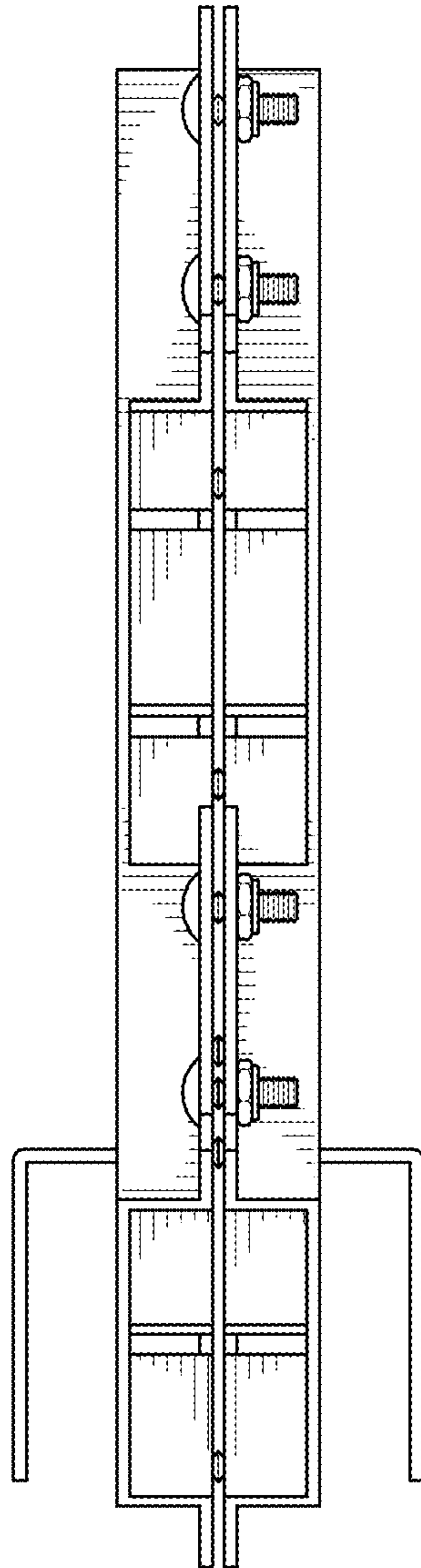


FIGURE 5

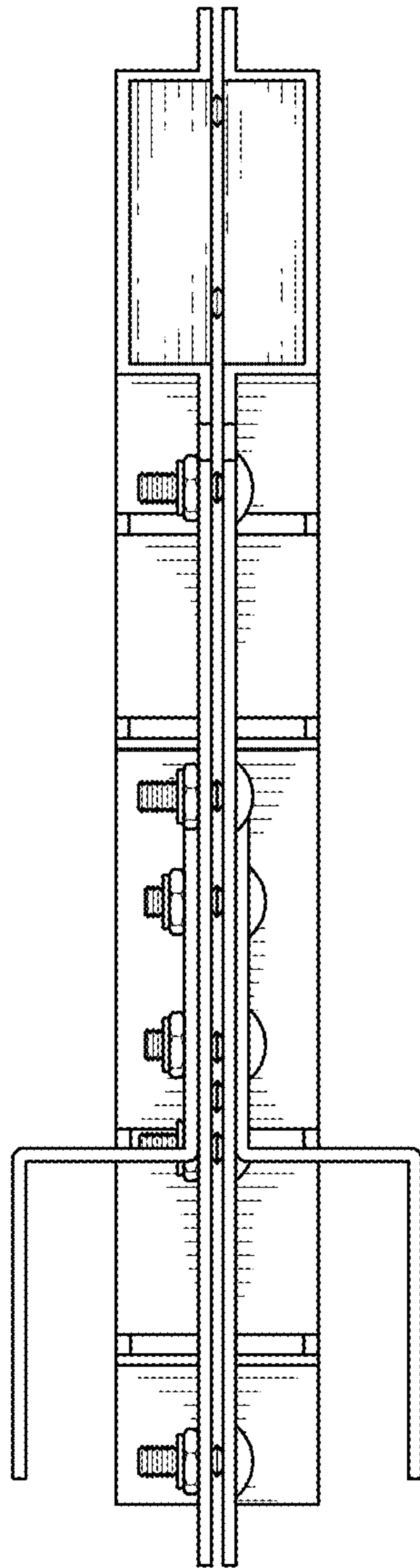


FIGURE 6

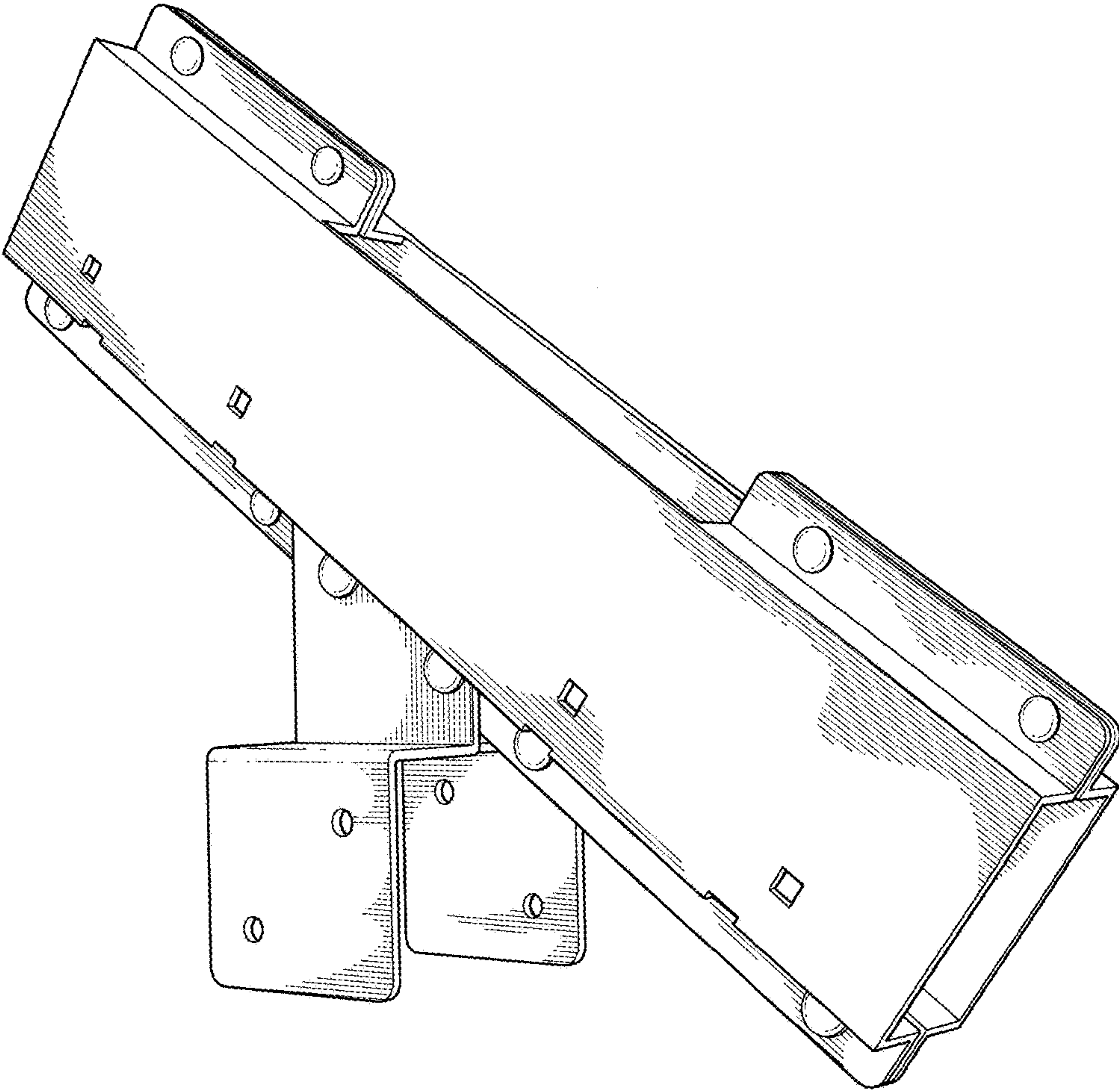


FIGURE 7

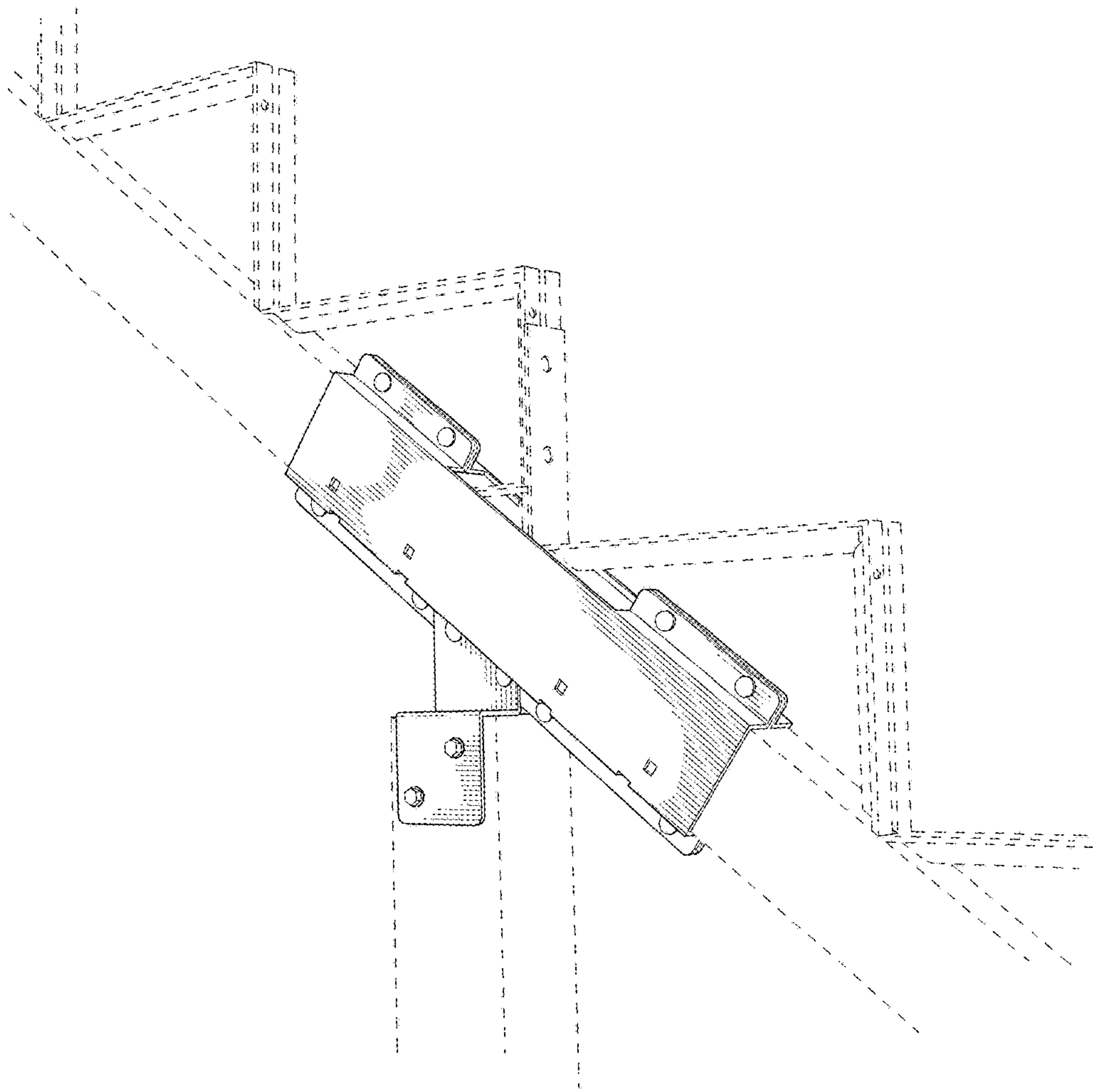


FIGURE 8