



US00D834731S

(12) **United States Design Patent** (10) **Patent No.:** **US D834,731 S**
McConnell, Jr. (45) **Date of Patent:** **** Nov. 27, 2018**

(54) **BOLLARD COVER**

(71) Applicant: **Innoplast, Inc.**, Chagrin Falls, OH (US)

(72) Inventor: **C. Craig McConnell, Jr.**, Chagrin Falls, OH (US)

(73) Assignee: **INNOPLAST, INC.**, Chagrin Falls, OH (US)

(**) Term: **15 Years**

(21) Appl. No.: **29/622,239**

(22) Filed: **Oct. 16, 2017**

(51) **LOC (11) Cl.** **25-01**

(52) **U.S. Cl.**
USPC **D25/126**

(58) **Field of Classification Search**

USPC D25/38.1, 43, 126, 127, 128, 129, 130,
D25/131, 132, 133, 134, 135; D10/109.1,
D10/113.3, 113.2; D26/68

(Continued)

(56) **References Cited**

U.S. PATENT DOCUMENTS

D324,920 S * 3/1992 Miller D25/126
D589,196 S * 3/2009 Stone D26/72

(Continued)

Primary Examiner — Cathron C Brooks

Assistant Examiner — Samantha Q. Lawrence

(74) *Attorney, Agent, or Firm* — Tarolli, Sundheim,
Covell & Tummino LLP

(57) **CLAIM**

I claim the ornamental design for a bollard cover, as shown and described.

DESCRIPTION

FIG. 1 is a front perspective view of one embodiment of a bollard cover comprising a new, original and ornamental design;

FIG. 2 is a top perspective view of the bollard cover shown in FIG. 1;

FIG. 3 is a front elevational view of the bollard cover shown in FIG. 1;

FIG. 4 is a rear elevational view of the bollard cover shown in FIG. 1;

FIG. 5 is a right side elevational view of the bollard cover shown in FIG. 1;

FIG. 6 is a left side elevational view of the bollard cover shown in FIG. 1;

FIG. 7 is a top view of the bollard cover shown in FIG. 1;

FIG. 8 is a bottom view of the bollard cover shown in FIG. 1;

FIG. 9 is a cross-sectional view of the bollard cover shown in FIG. 1, taken along line 9-9 in FIG. 3;

FIG. 10 is a cross-sectional view of the bollard cover shown in FIG. 1, taken along line 10-10 in FIG. 3;

FIG. 11 is a detail view of the bollard cover shown in FIG. 1, taken of the circled area in FIG. 9;

FIG. 12 is a front elevational view of a first panel of the bollard cover shown in FIG. 1;

FIG. 13 is a rear elevational view of the first panel of the bollard cover shown in FIG. 1;

FIG. 14 is a left elevational view of the first panel of the bollard cover shown in FIG. 1;

FIG. 15 is a right elevational view of the first panel of the bollard cover shown in FIG. 1;

FIG. 16 is a top elevational view of the first panel of the bollard cover shown in FIG. 1;

FIG. 17 is a bottom elevational view of the first panel of the bollard cover shown in FIG. 1;

FIG. 18 is a front elevational view of a second panel of the bollard cover shown in FIG. 1;

FIG. 19 is a rear elevational view of the second panel of the bollard cover shown in FIG. 1;

FIG. 20 is a left elevational view of the second panel of the bollard cover shown in FIG. 1;

FIG. 21 is a right elevational view of the second panel of the bollard cover shown in FIG. 1;

FIG. 22 is a top elevational view of the second panel of the bollard cover shown in FIG. 1;

FIG. 23 is a bottom elevational view of the second panel of the bollard cover shown in FIG. 1;

(Continued)

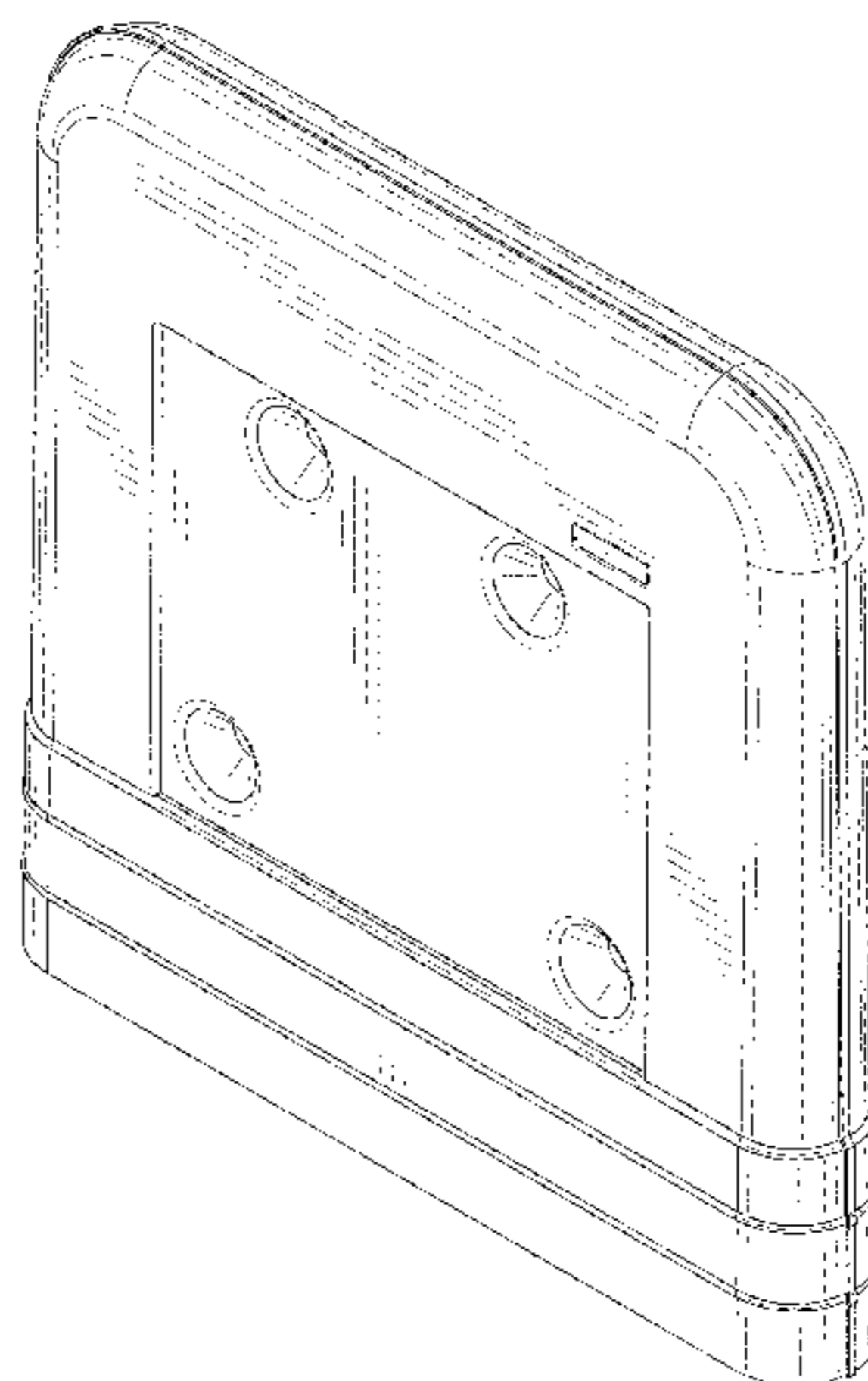


FIG. 24 is a partially cut-away front perspective view of the bollard cover shown in FIG. 1, in a first example use environment;

FIG. 25 is a partially cut-away front perspective view of the bollard cover shown in FIG. 1, in a second example use environment;

FIG. 26 is a front perspective view of another embodiment of a bollard cover comprising a new, original and ornamental design;

FIG. 27 is a top perspective view of the bollard cover shown in FIG. 26;

FIG. 28 is a front elevational view of the bollard cover shown in FIG. 26;

FIG. 29 is a rear elevational view of the bollard cover shown in FIG. 26;

FIG. 30 is a right side elevational view of the bollard cover shown in FIG. 26;

FIG. 31 is a left side elevational view of the bollard cover shown in FIG. 26;

FIG. 32 is a top view of the bollard cover shown in FIG. 26;

FIG. 33 is a bottom view of the bollard cover shown in FIG. 26;

FIG. 34 is a cross-sectional view of the bollard cover shown in FIG. 26, taken along line 34-34 in FIG. 28;

FIG. 35 is a cross-sectional view of the bollard cover shown in FIG. 26, taken along line 35-35 in FIG. 28;

FIG. 36 is a detail view of the bollard cover shown in FIG. 26, taken of the circled area in FIG. 34;

FIG. 37 is a front elevational view of a first panel of the bollard cover shown in FIG. 26;

FIG. 38 is a rear elevational view of the first panel of the bollard cover shown in FIG. 26;

FIG. 39 is a left elevational view of the first panel of the bollard cover shown in FIG. 26;

FIG. 40 is a right elevational view of the first panel of the bollard cover shown in FIG. 26;

FIG. 41 is a top elevational view of the first panel of the bollard cover shown in FIG. 26;

FIG. 42 is a bottom elevational view of the first panel of the bollard cover shown in FIG. 26;

FIG. 43 is a front elevational view of a second panel of the bollard cover shown in FIG. 26;

FIG. 44 is a rear elevational view of the second panel of the bollard cover shown in FIG. 26;

FIG. 45 is a left elevational view of the second panel of the bollard cover shown in FIG. 26;

FIG. 46 is a right elevational view of the second panel of the bollard cover shown in FIG. 26;

FIG. 47 is a top elevational view of the second panel of the bollard cover shown in FIG. 26;

FIG. 48 is a bottom elevational view of the second panel of the bollard cover shown in FIG. 26;

FIG. 49 is a partially cut-away front perspective view of the bollard cover shown in FIG. 26, in a first example use environment;

FIG. 50 is a partially cut-away front perspective view of the bollard cover shown in FIG. 26, in a second example use environment; and,

FIG. 51 is an isometric exploded view of the bollard cover shown in FIG. 26, in the second example use environment. The broken lines shown in FIGS. 24-25 and FIG. 49-51 illustrate environment and form no part of the claimed design. The dash dot lines shown in FIGS. 9, 11, 34, and 36 indicate the boundary of the enlarged views.

1 Claim, 39 Drawing Sheets

(58) **Field of Classification Search**

CPC E01F 13/028; E01F 13/046; E01F 15/00;
 E01F 15/003; E01F 15/141; E04H
 12/2284; G09F 23/00; G09F 15/0075
 See application file for complete search history.

(56) **References Cited**

U.S. PATENT DOCUMENTS

D597,694	S *	8/2009	Dworschak	D26/68
D624,207	S *	9/2010	Skalka	D25/121
D670,848	S *	11/2012	Reo	D26/68
D675,767	S *	2/2013	Guercio	D26/68
D695,391	S *	12/2013	Takemoto	D24/113
D695,392	S *	12/2013	Tani	D24/113
2014/0053441	A1 *	2/2014	Arons	G09F 23/00 40/606.03
2015/0027014	A1 *	1/2015	Smith	G09F 23/00 40/607.03
2018/0096638	A1 *	4/2018	Pacheco	B60N 3/02

* cited by examiner

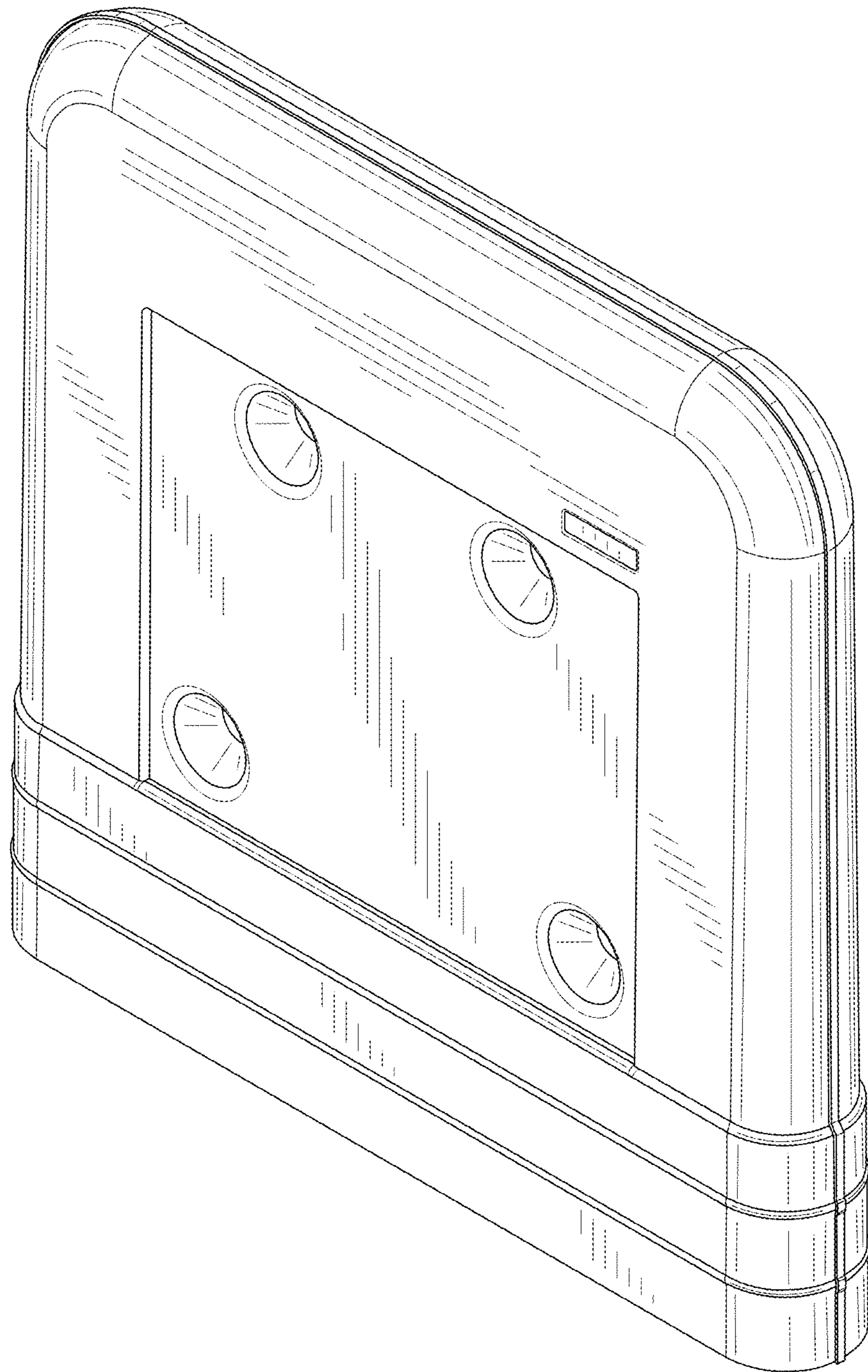


FIG. 1

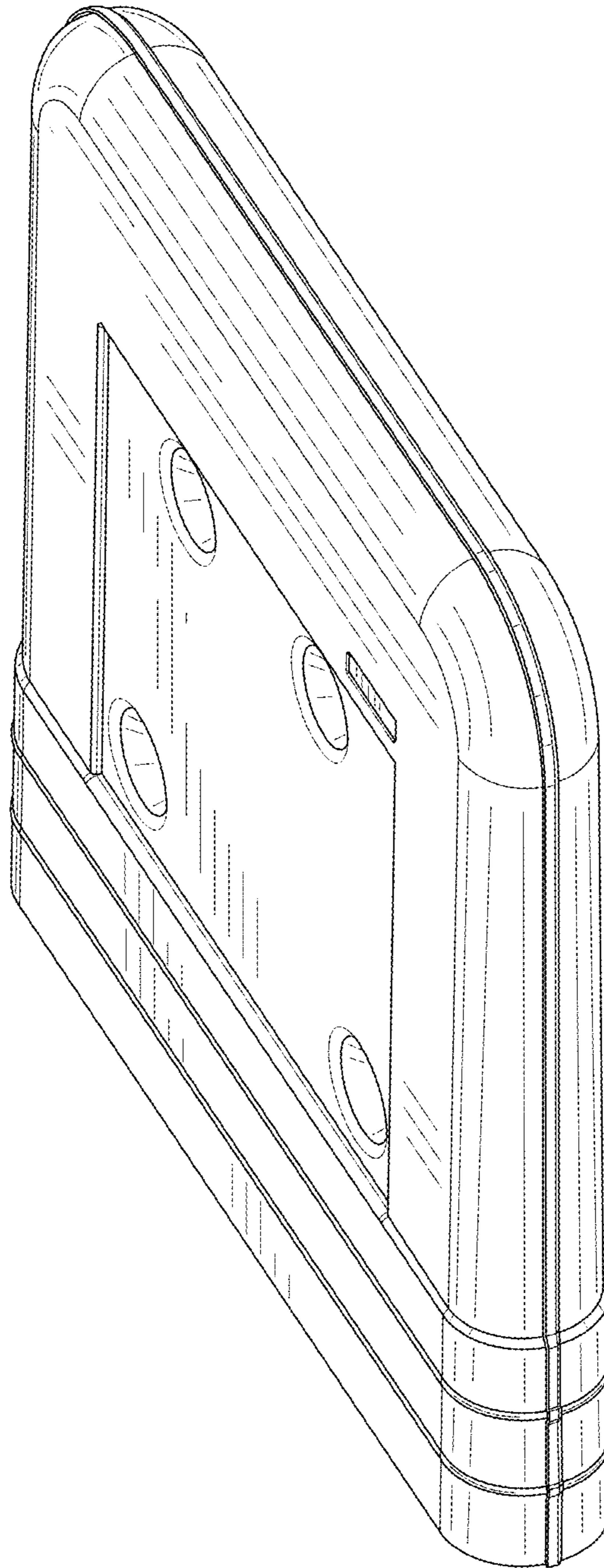


FIG. 2

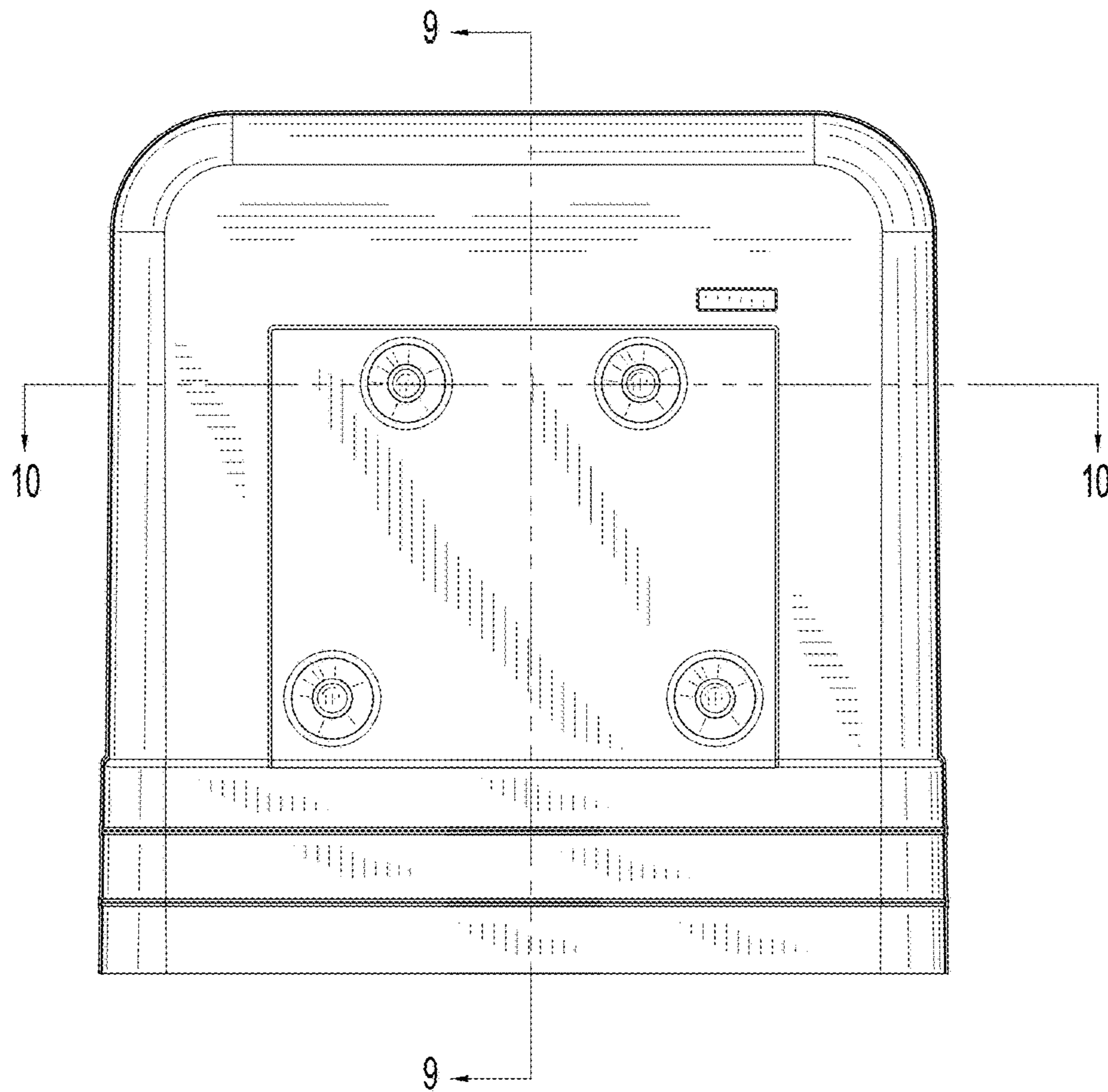


FIG. 3

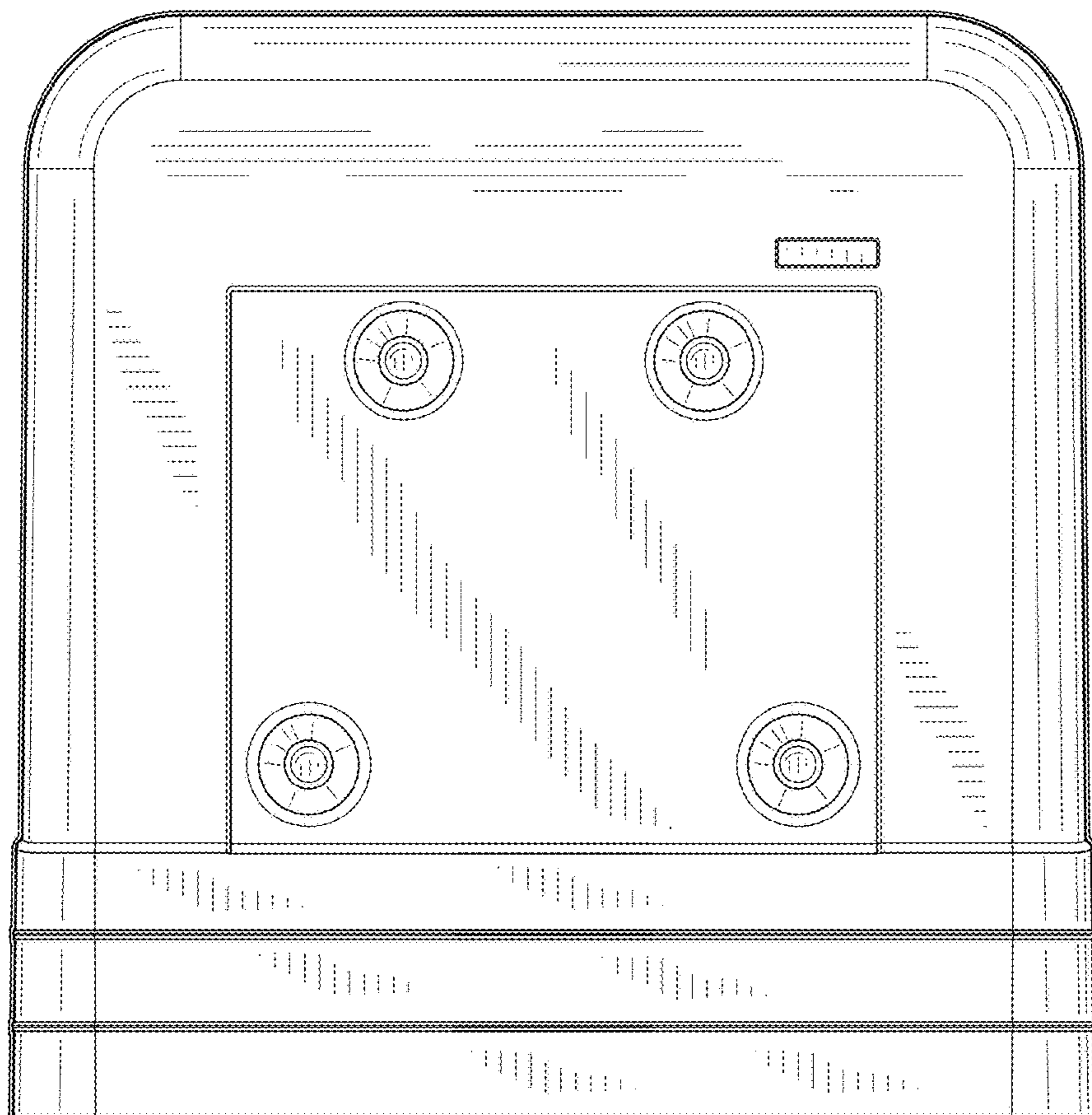


FIG. 4

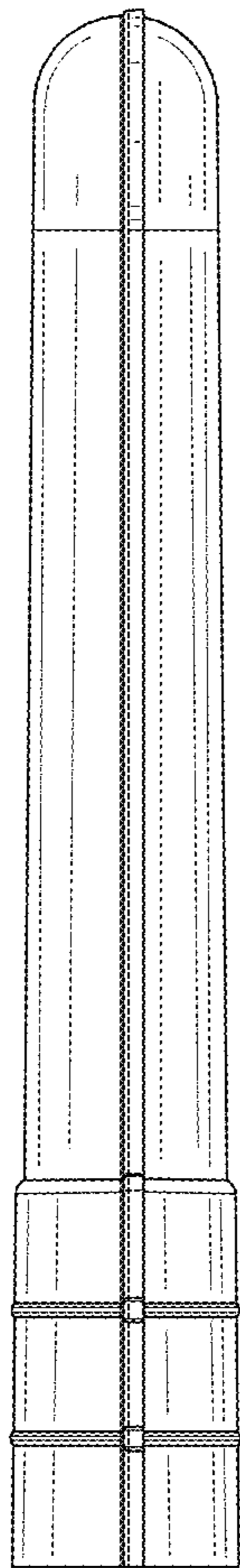


FIG. 5

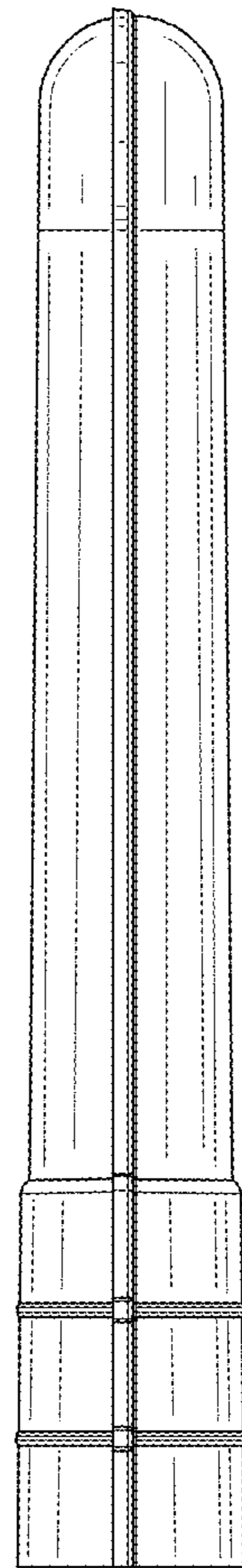


FIG. 6

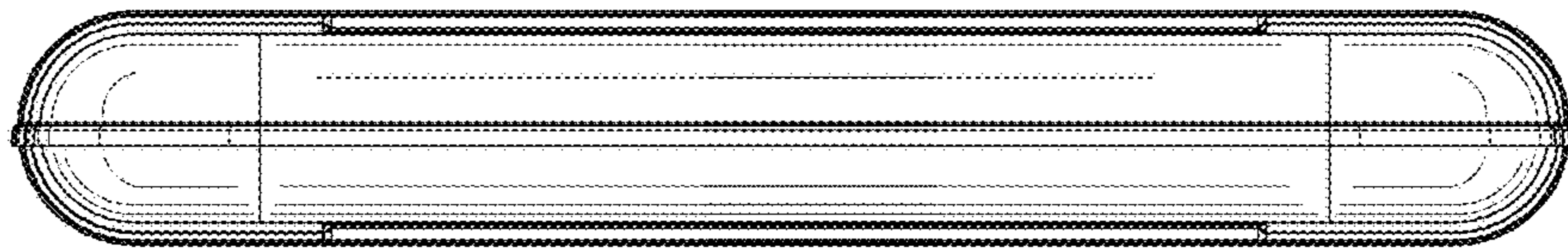


FIG. 7

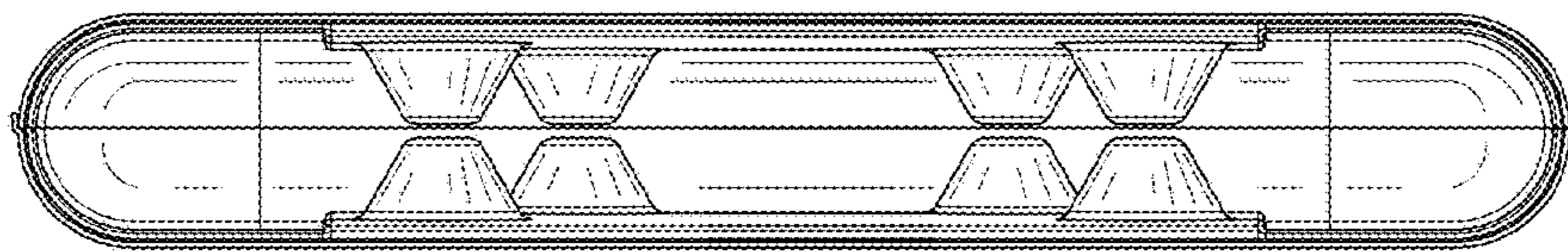


FIG. 8

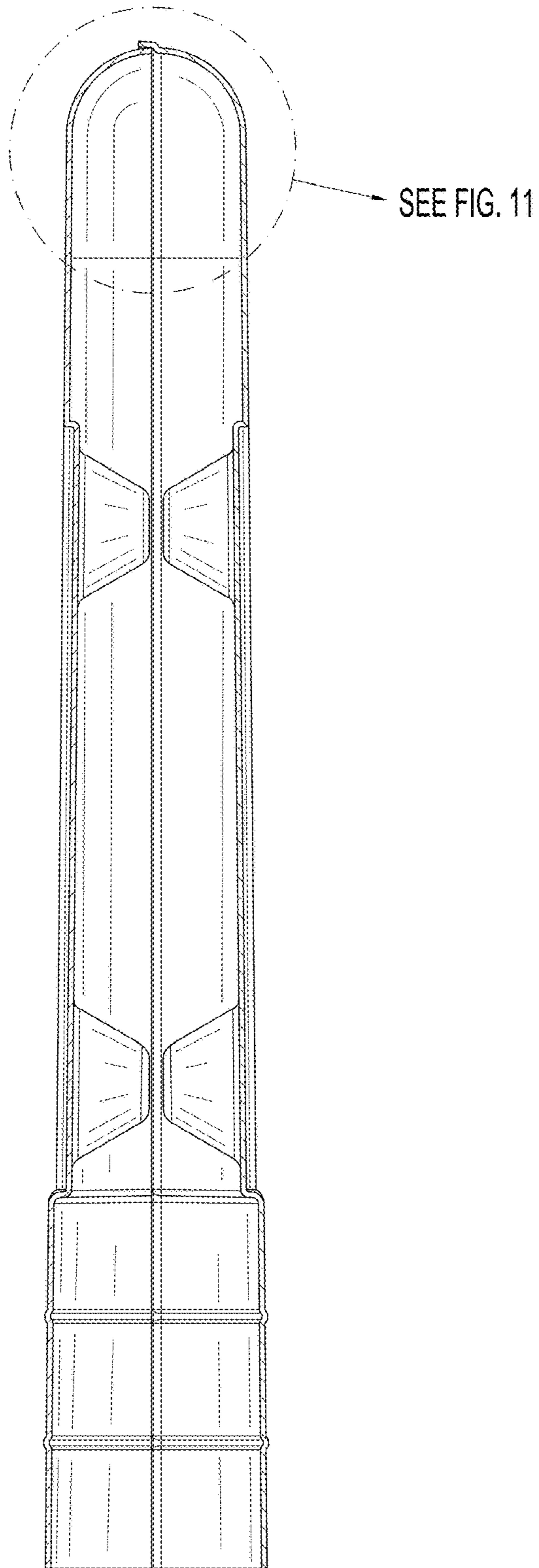


FIG. 9

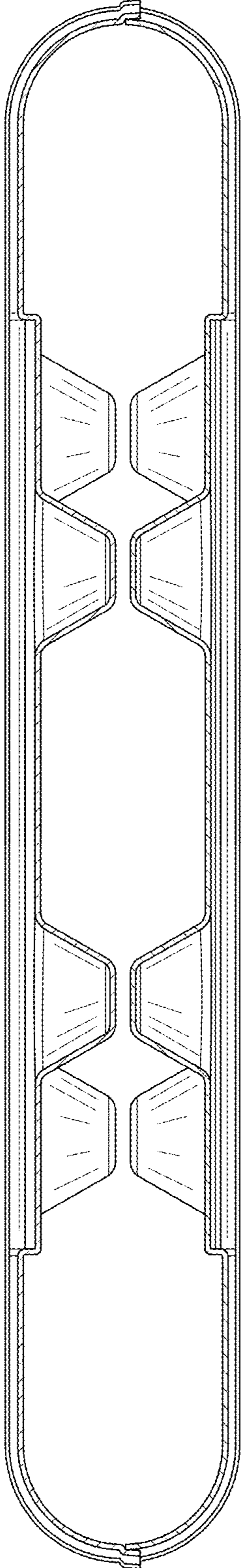


FIG. 10

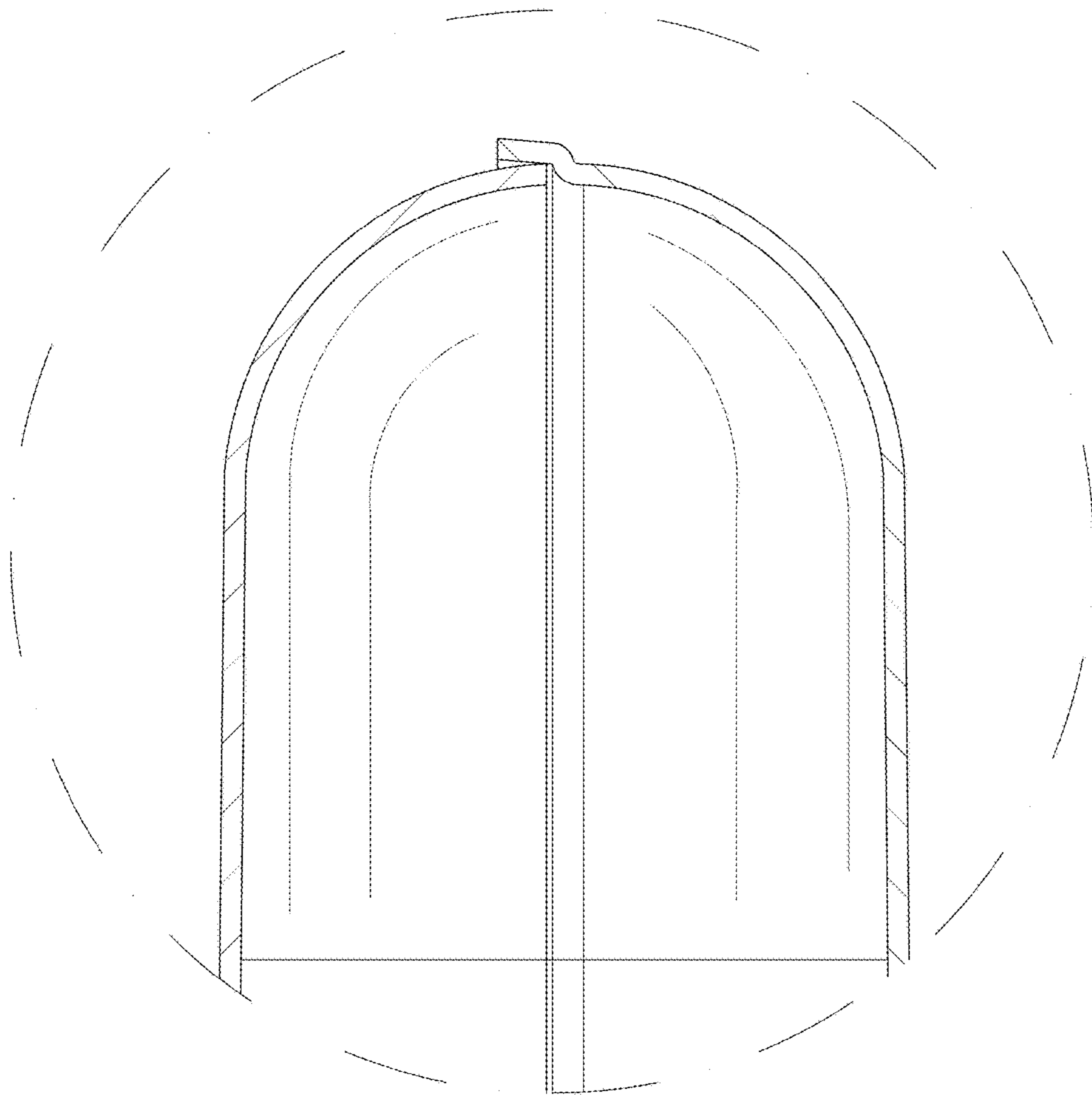


FIG. 11

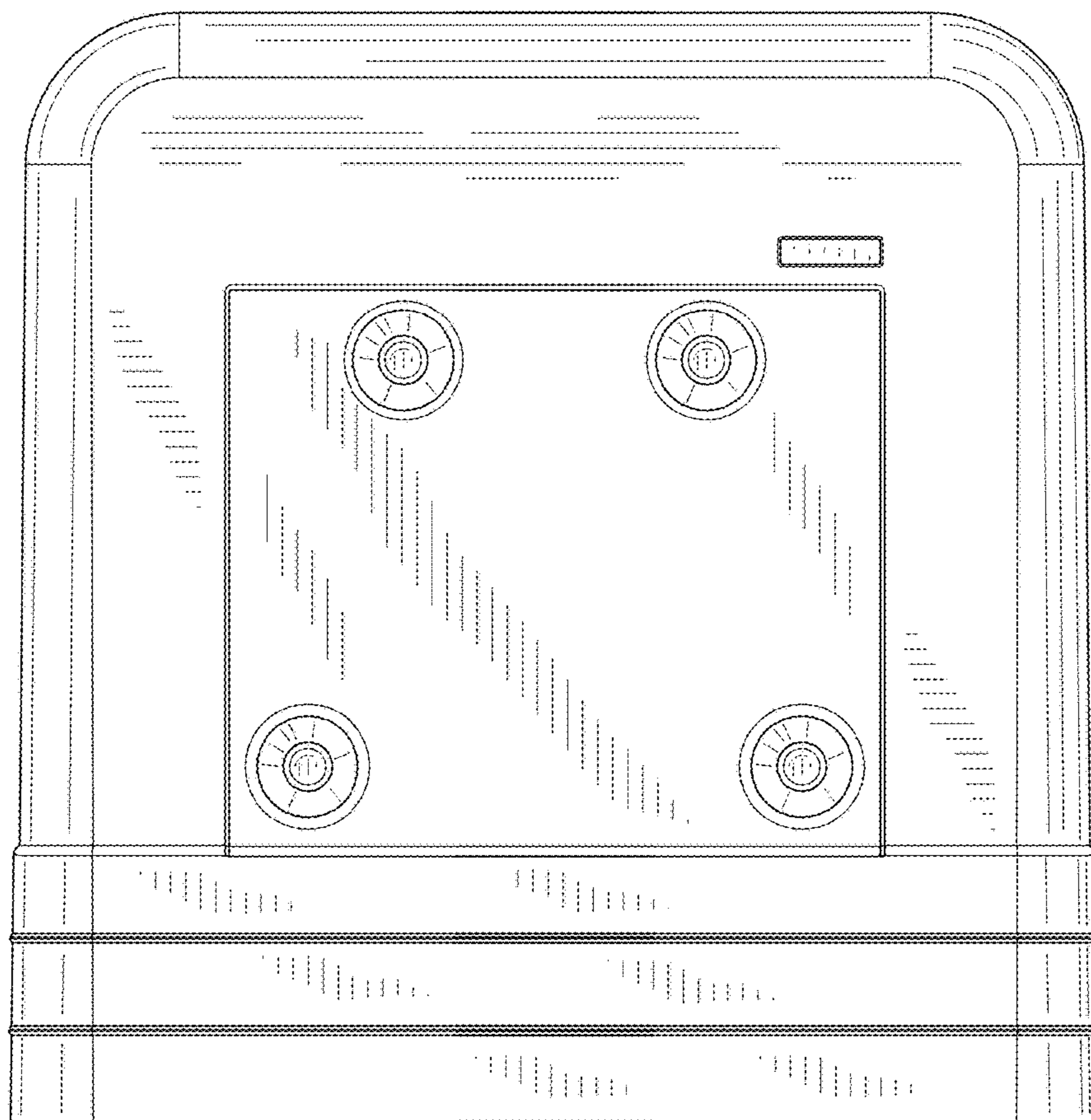


FIG. 12

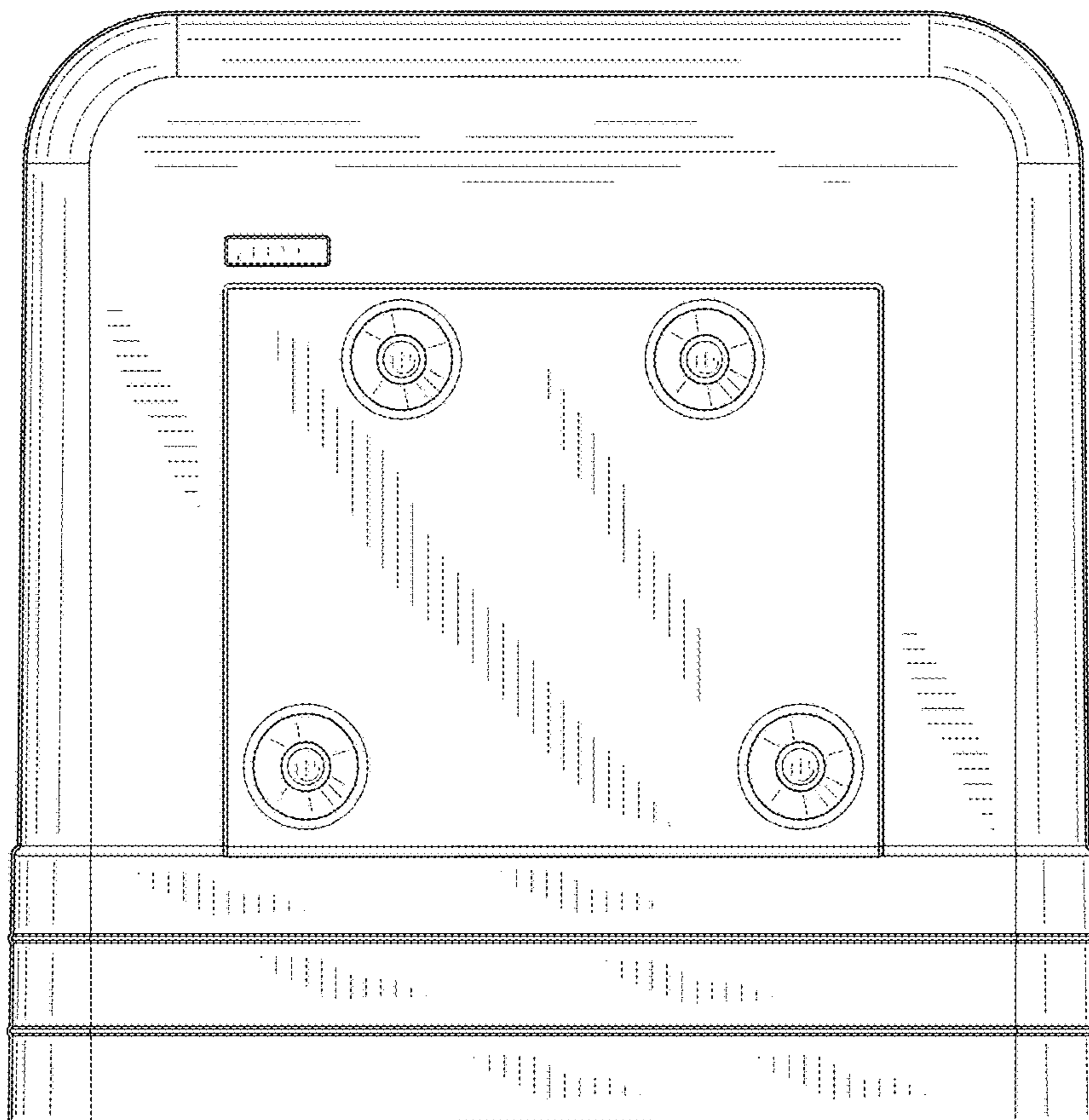


FIG. 13

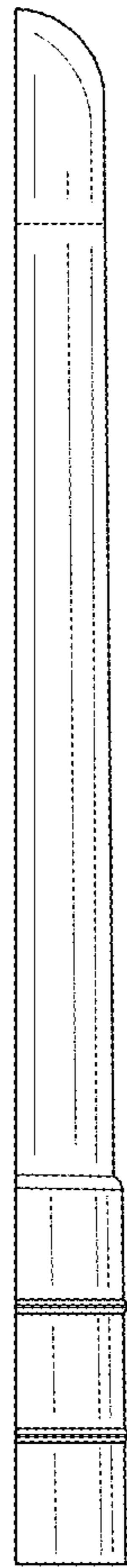


FIG. 14

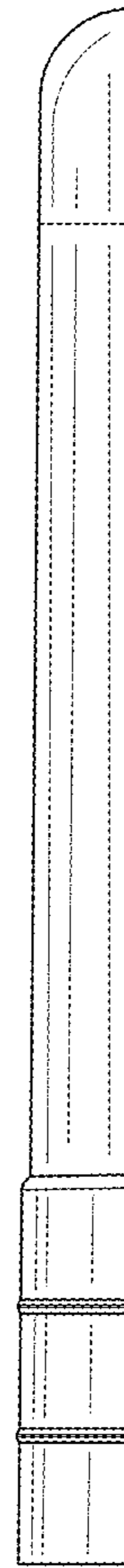


FIG. 15

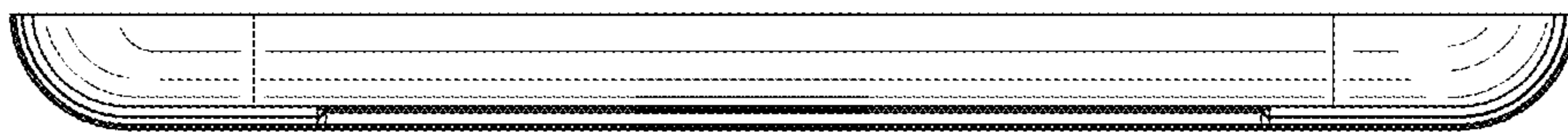


FIG. 16

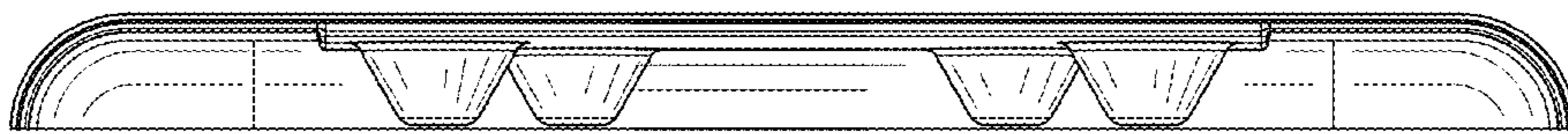


FIG. 17

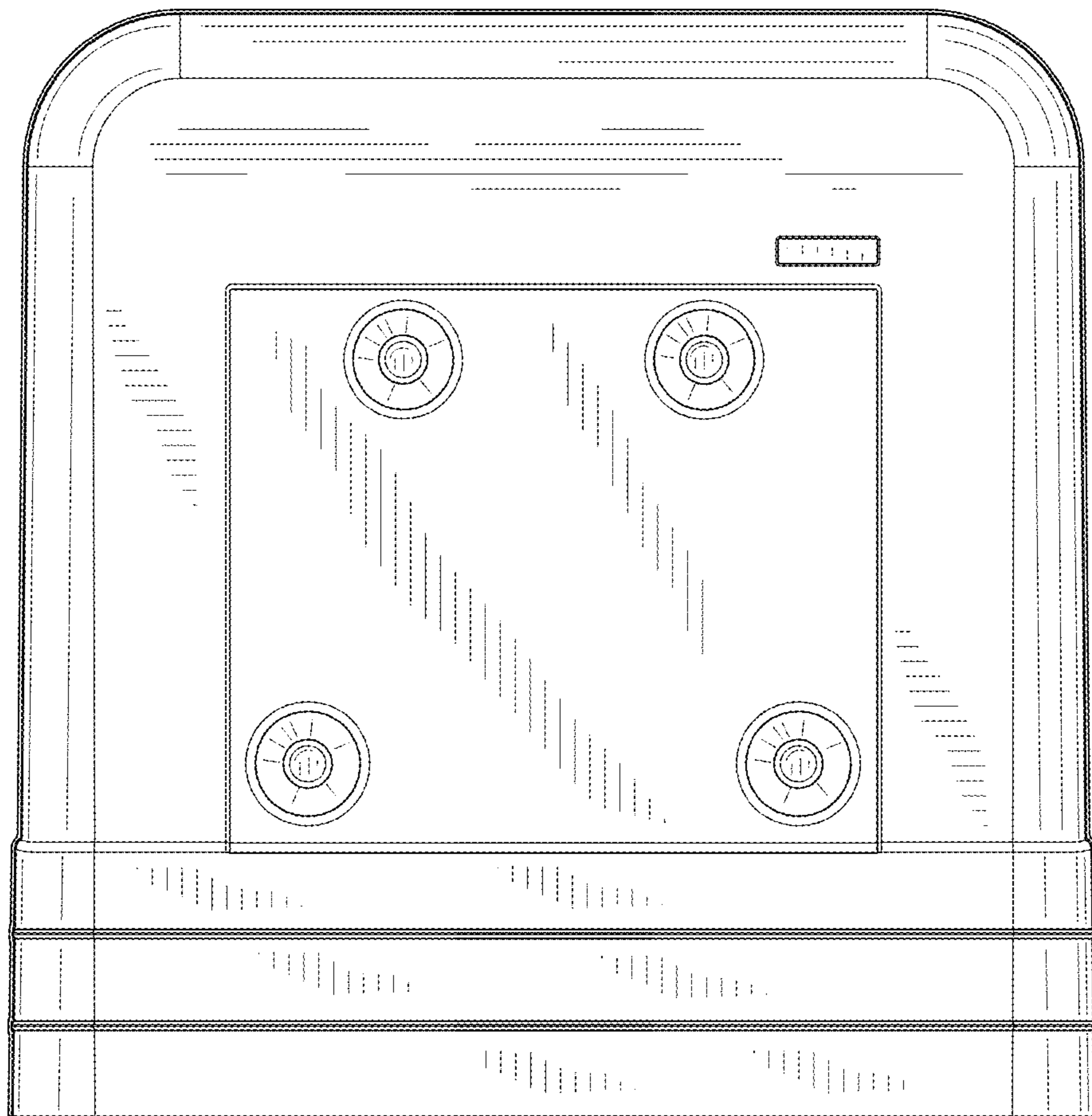


FIG. 18

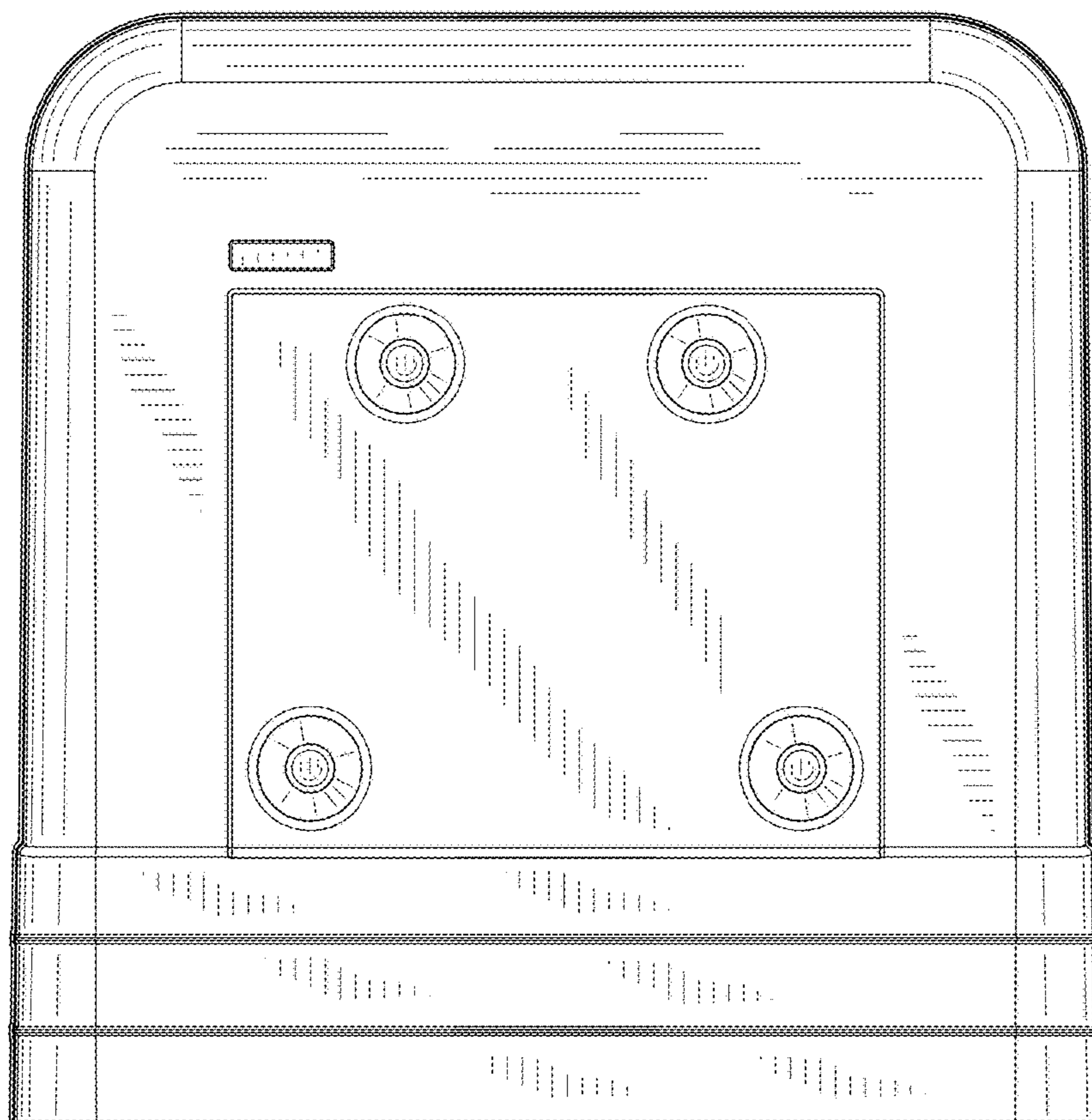


FIG. 19

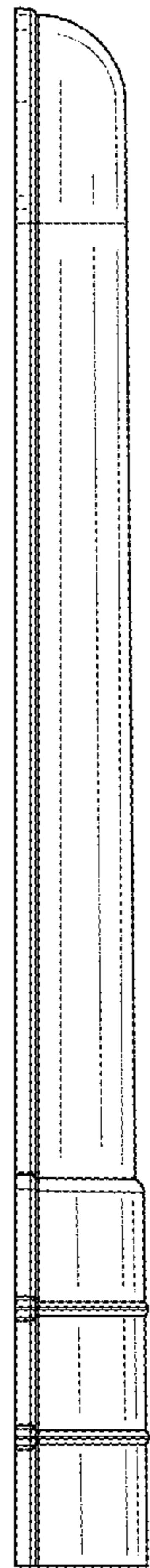


FIG. 20

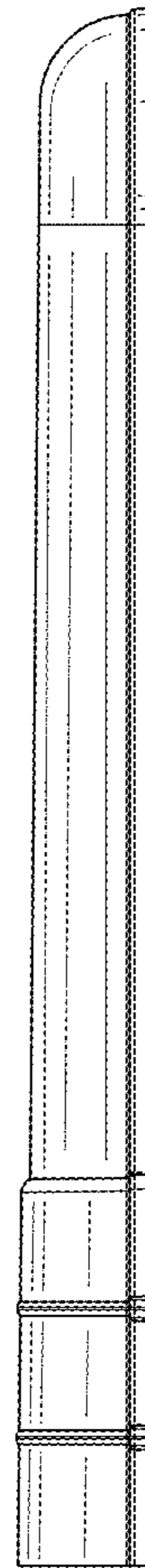


FIG. 21



FIG. 22

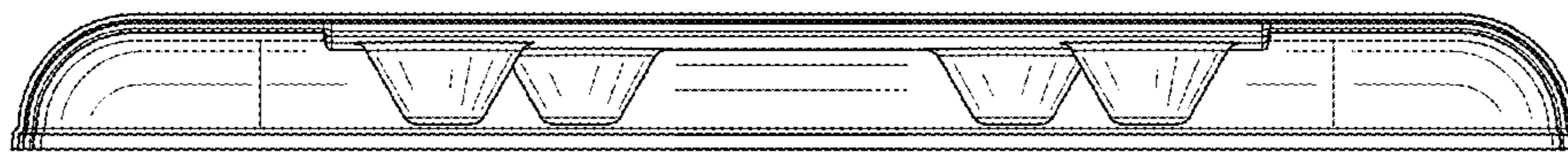


FIG. 23

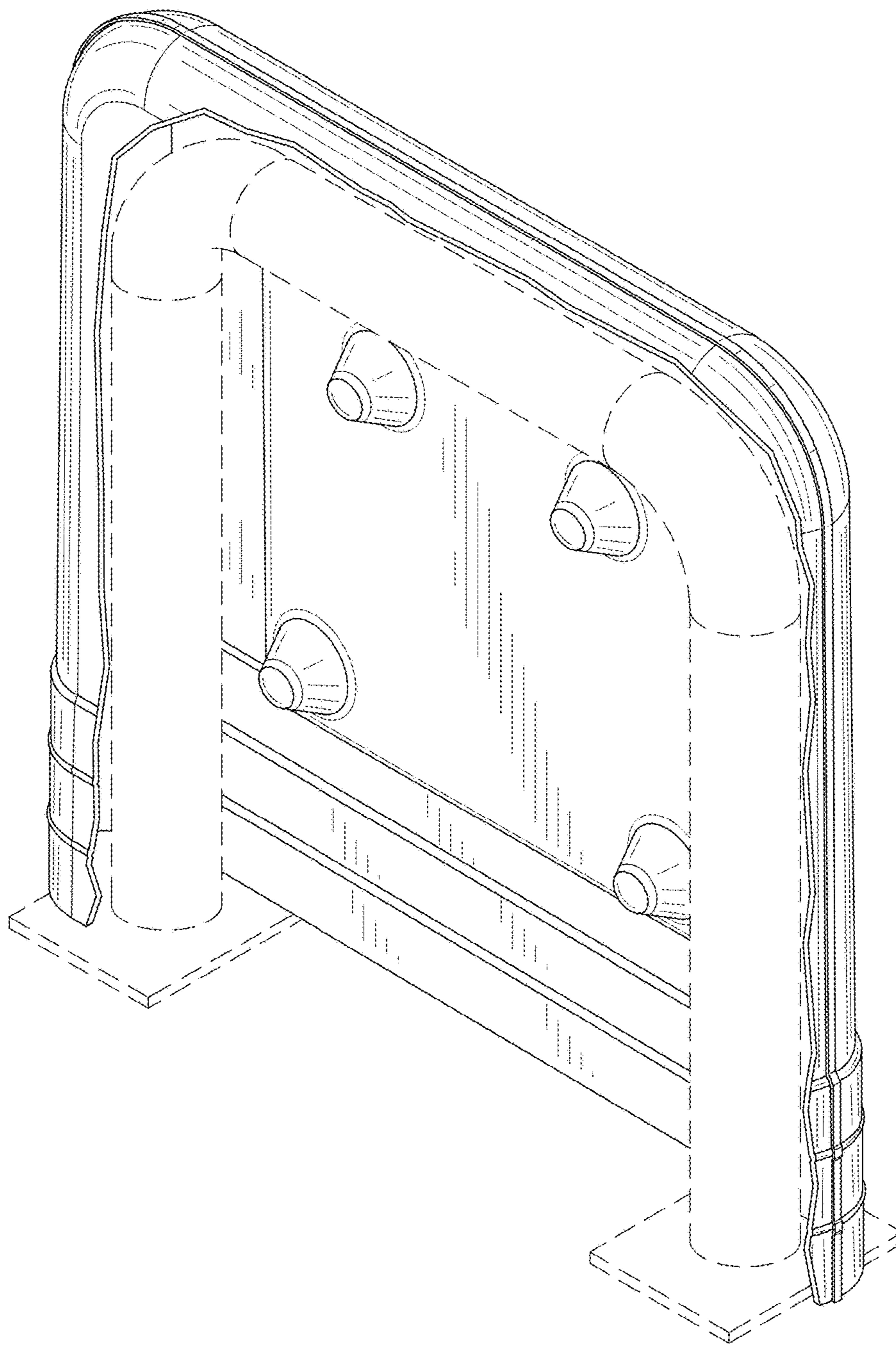


FIG. 24

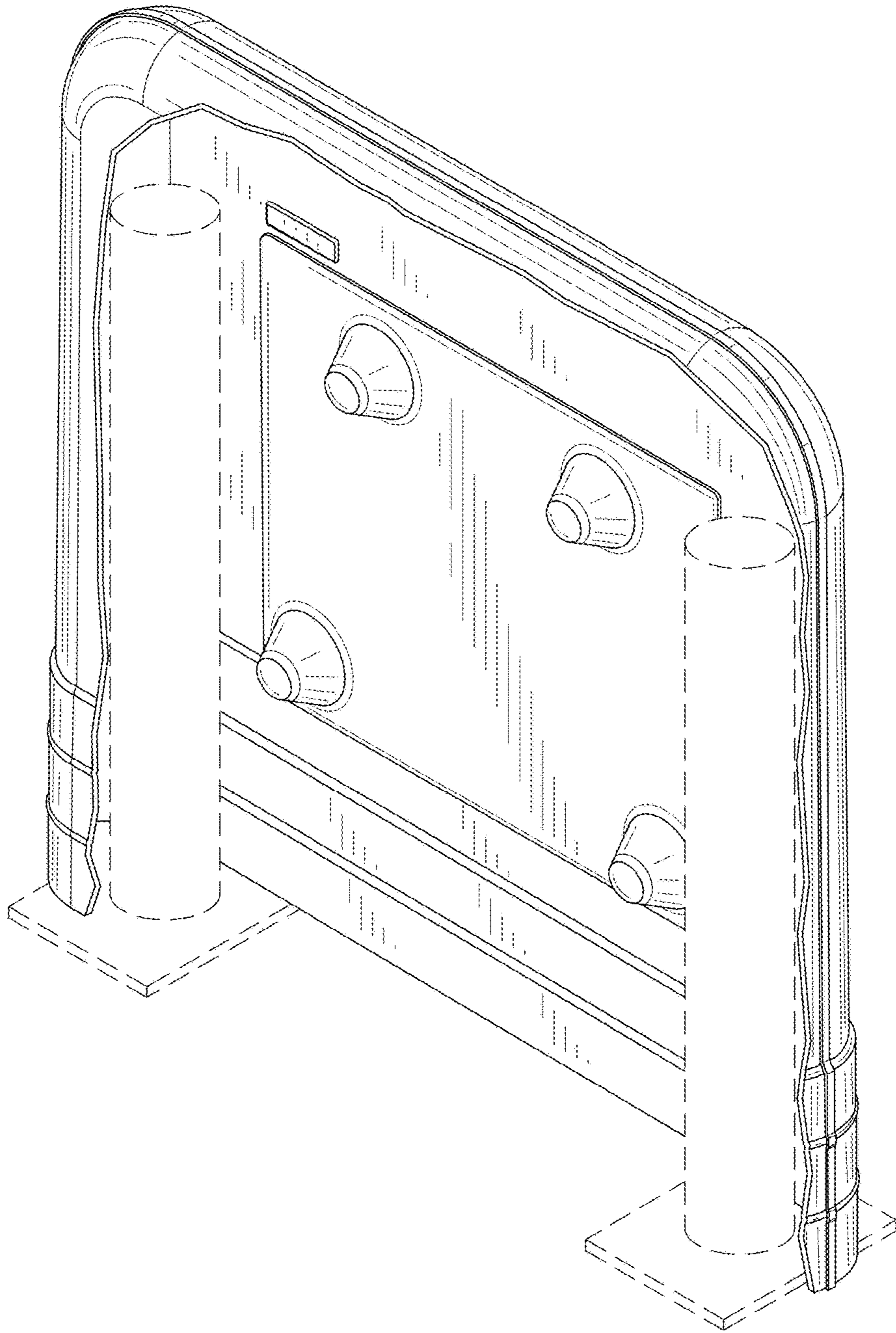


FIG. 25

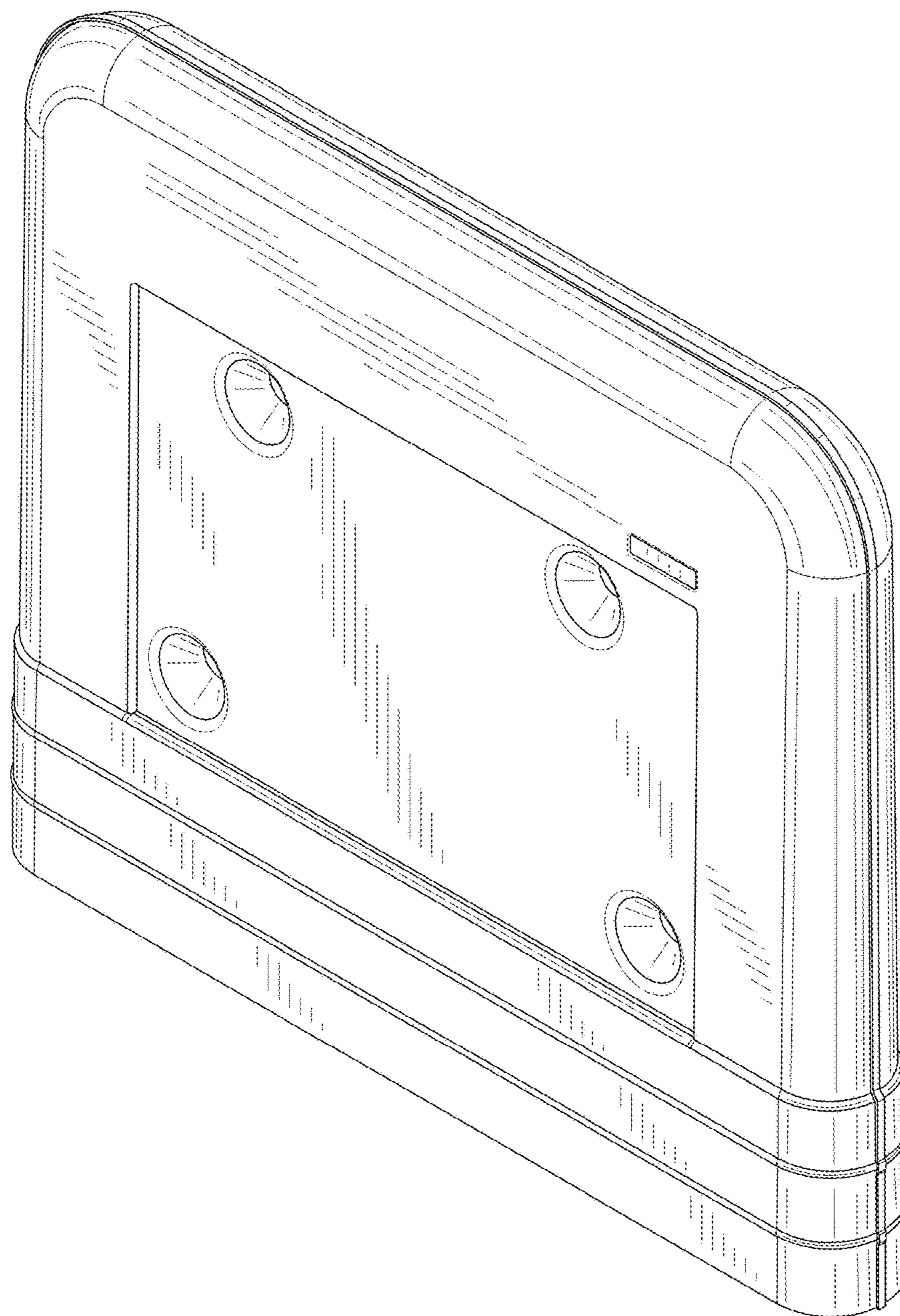


FIG. 26

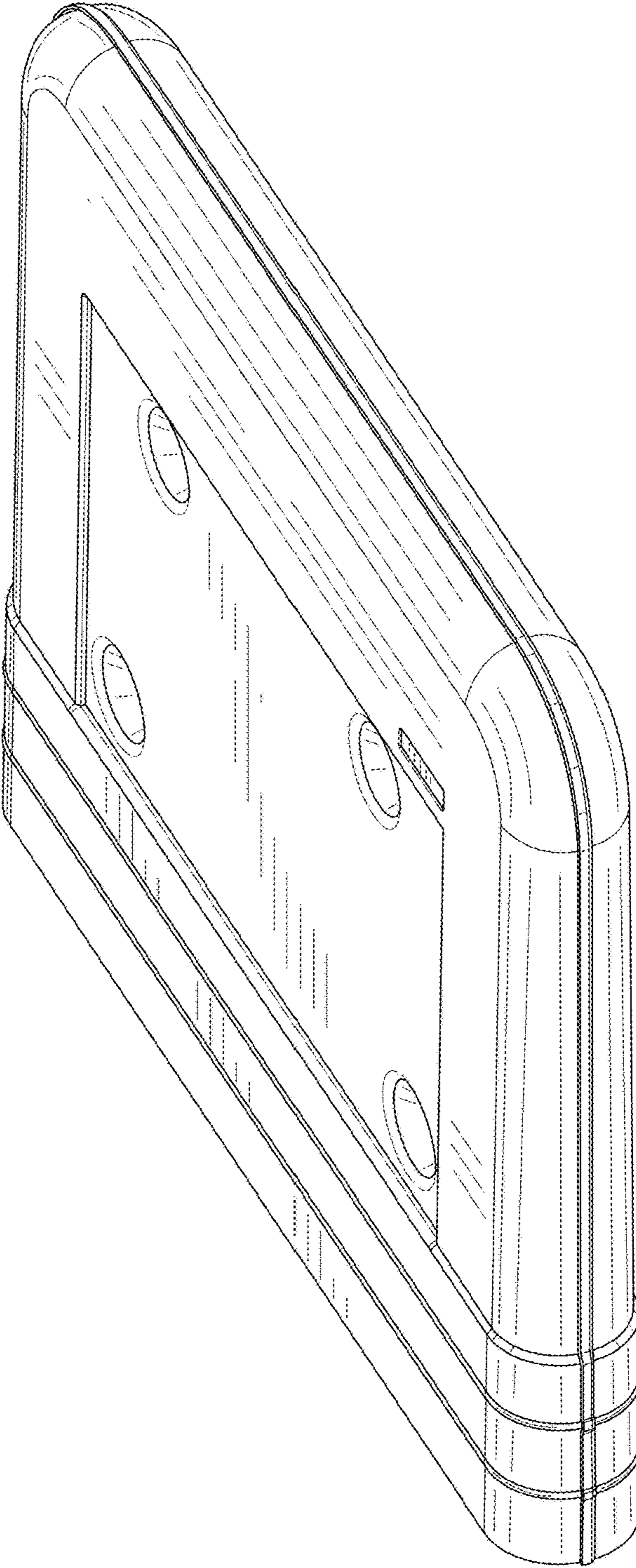


FIG. 27

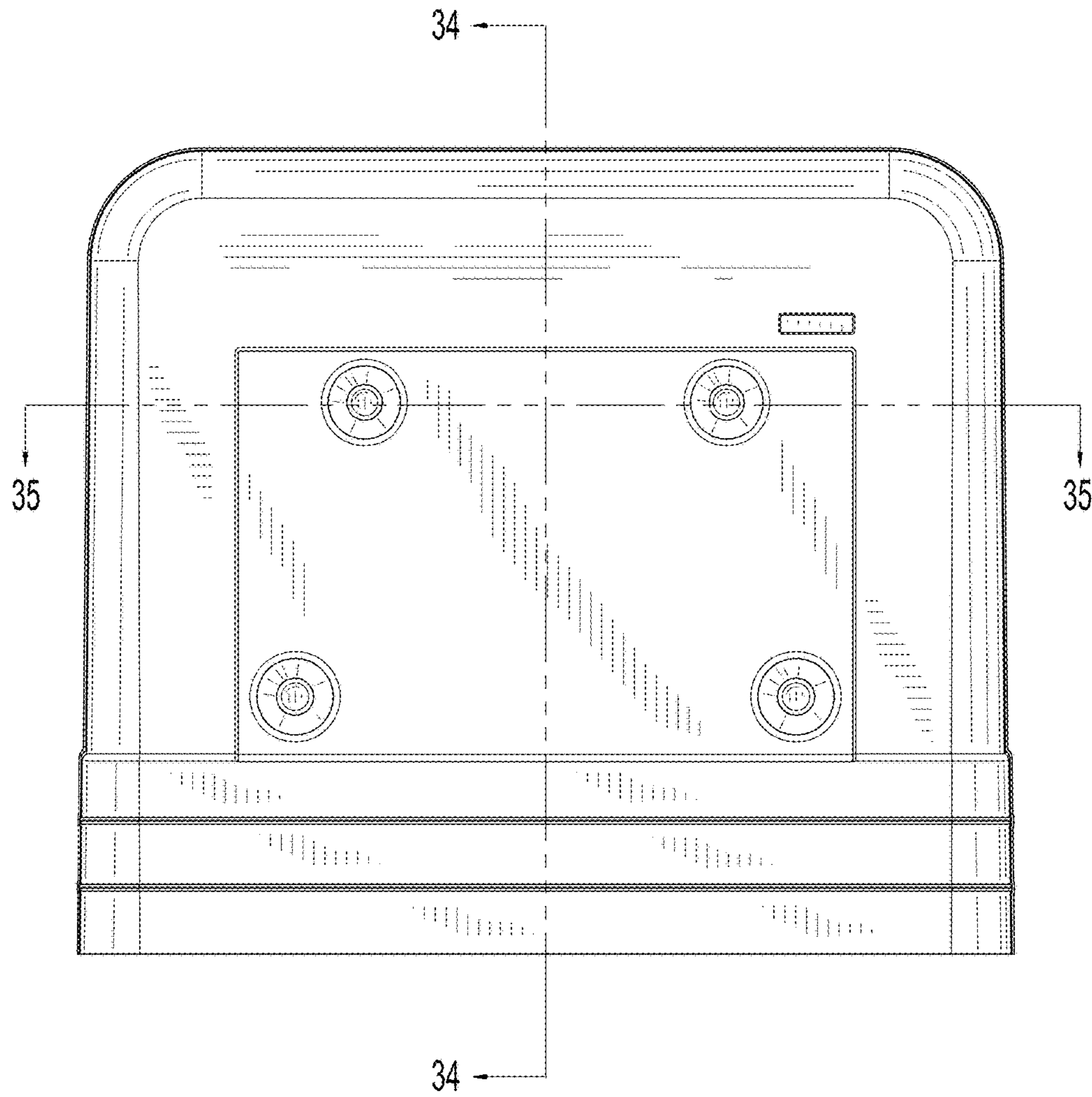


FIG. 28

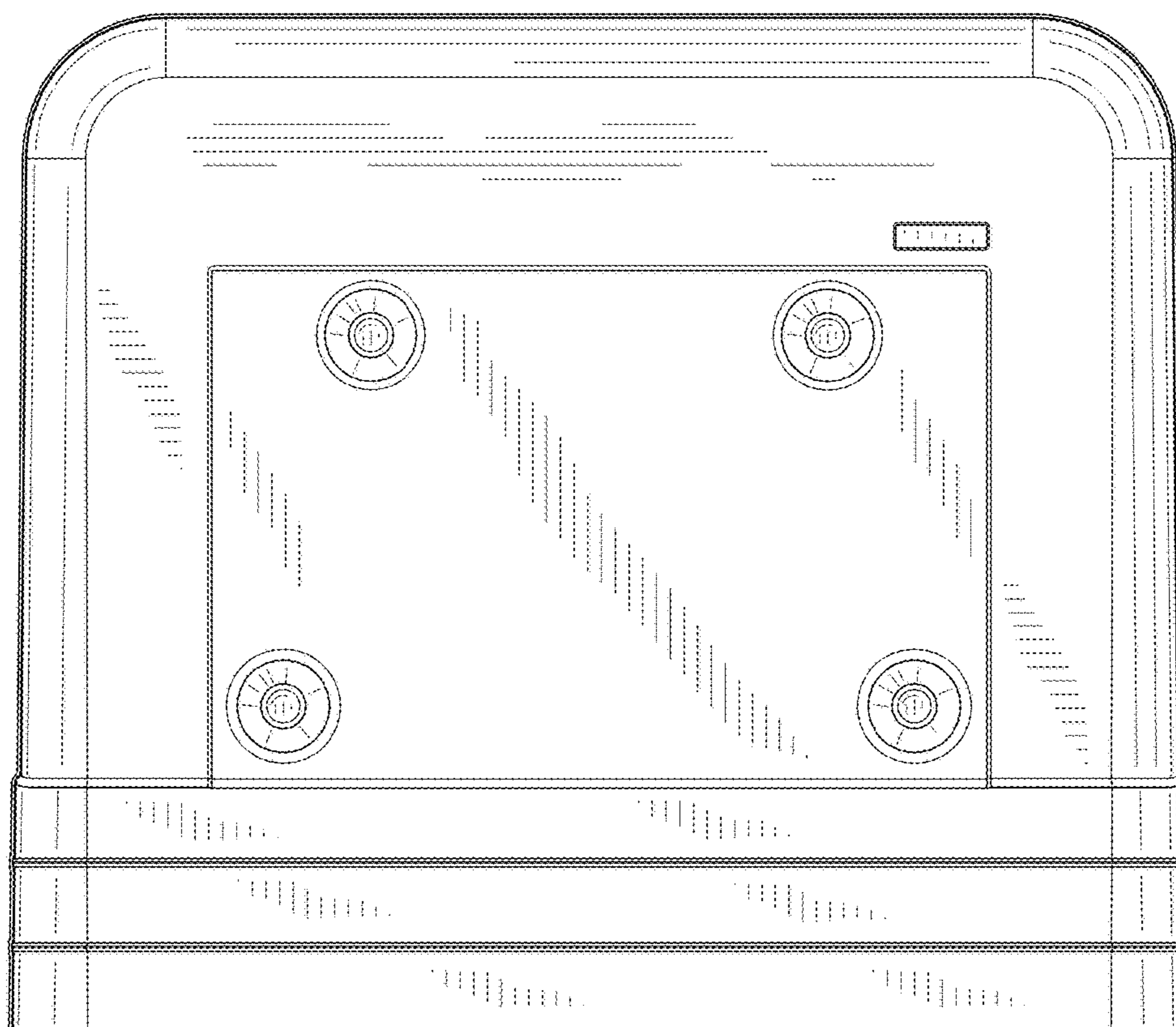


FIG. 29

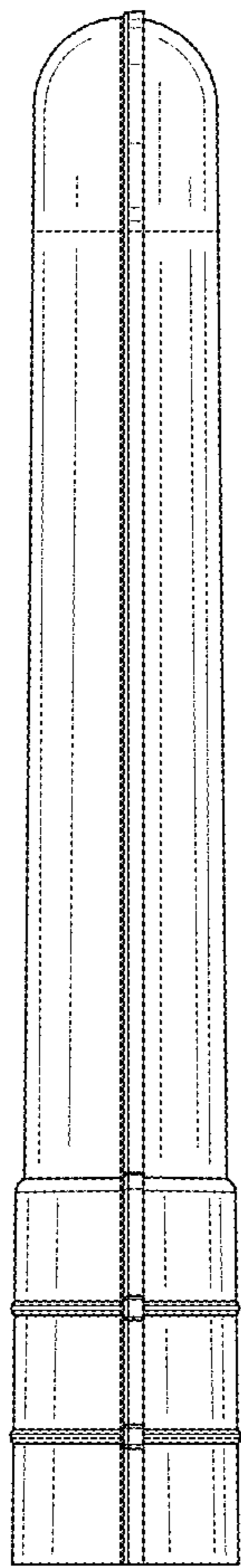


FIG. 30

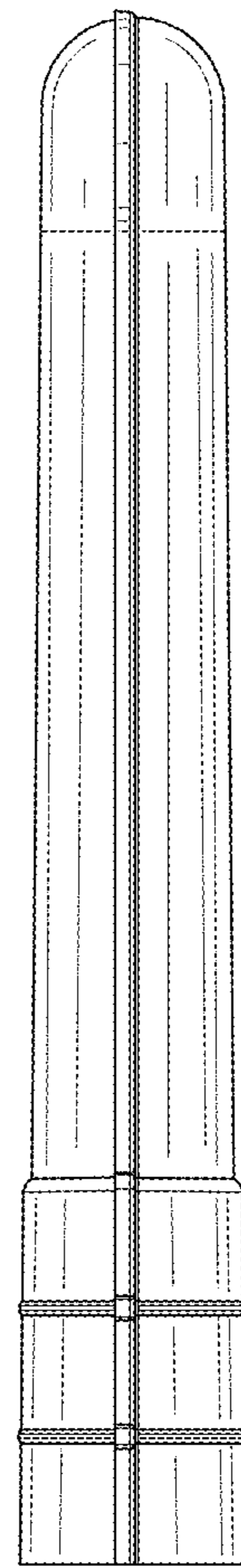


FIG. 31

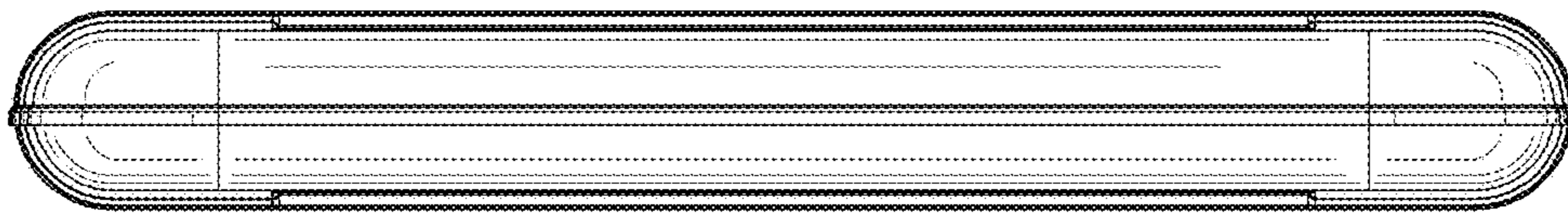


FIG. 32

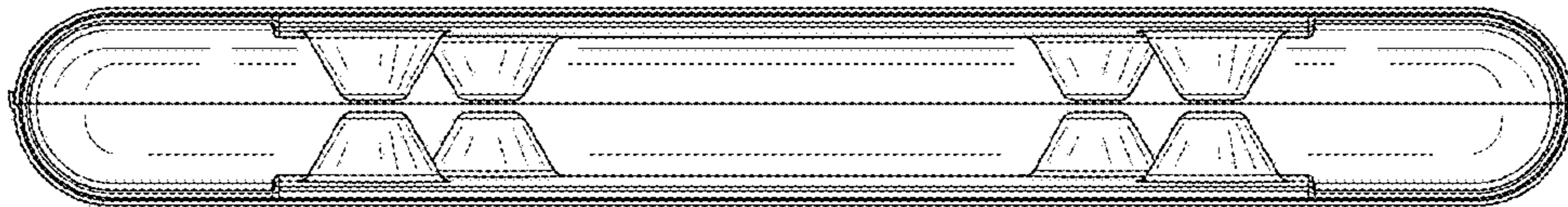


FIG. 33

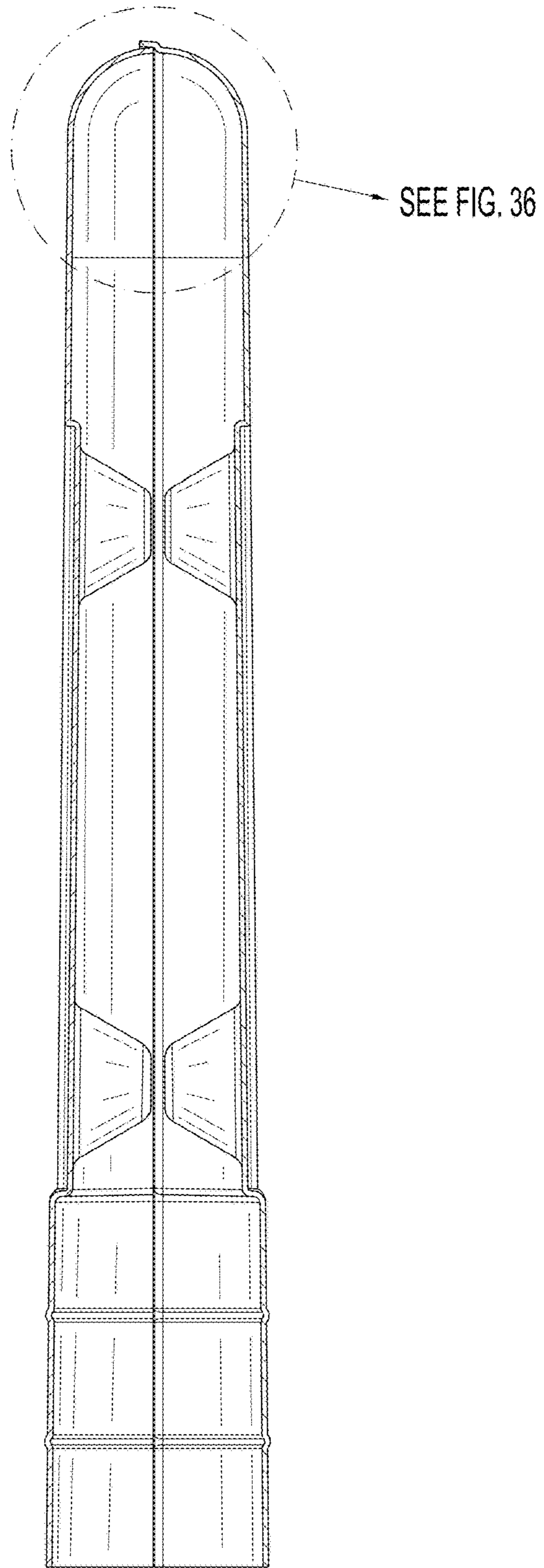


FIG. 34

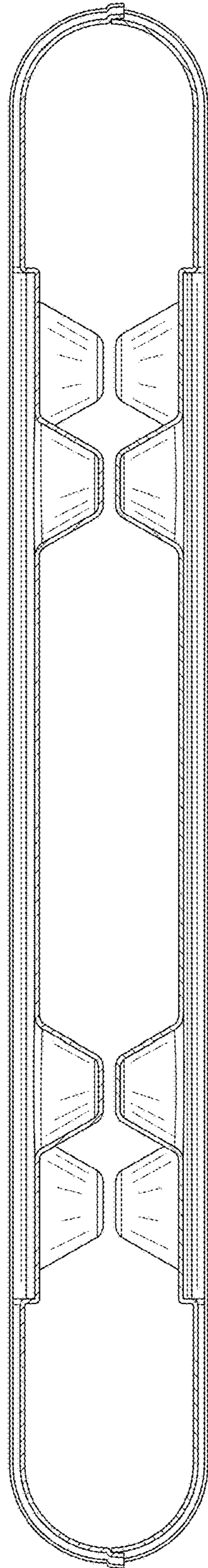


FIG. 35

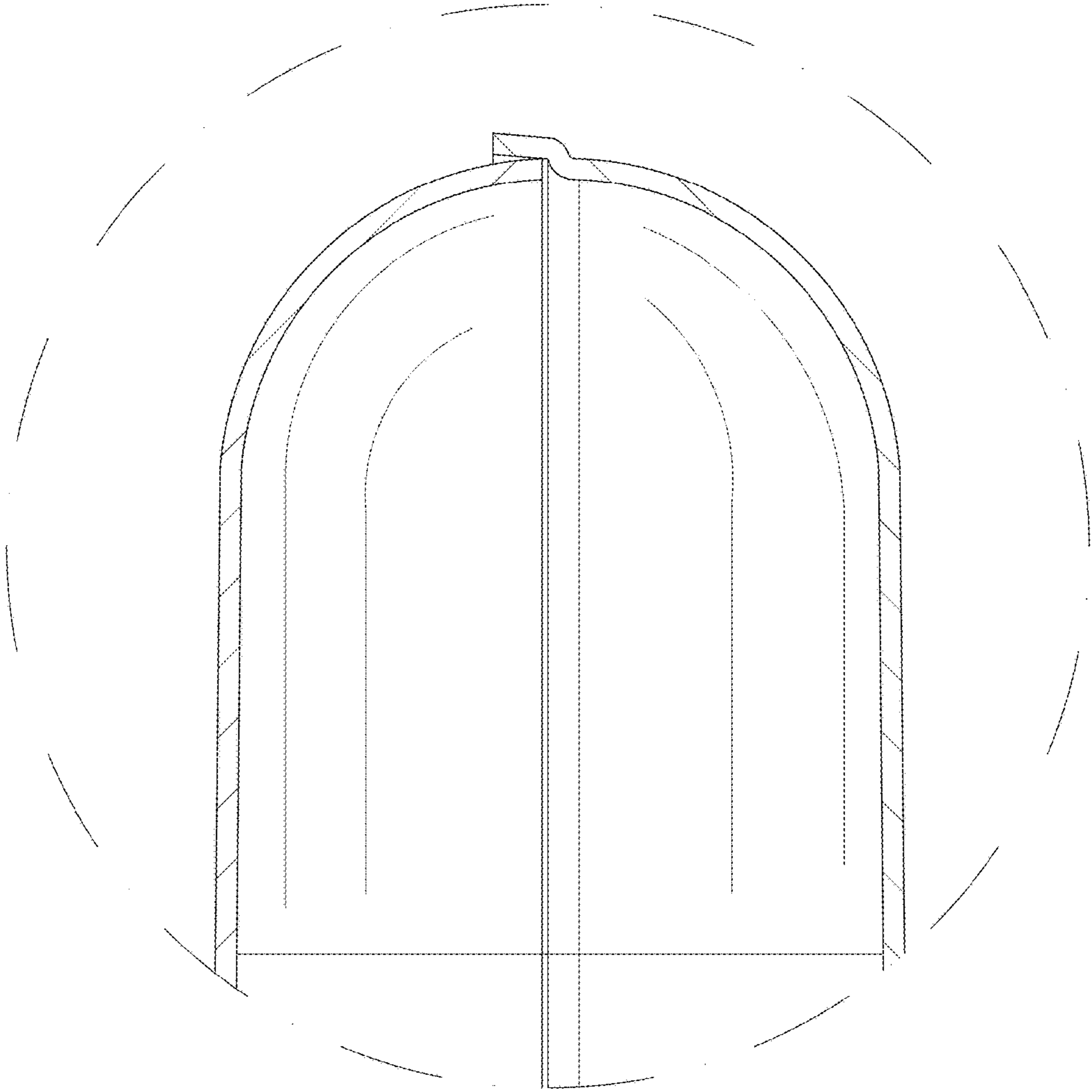


FIG. 36

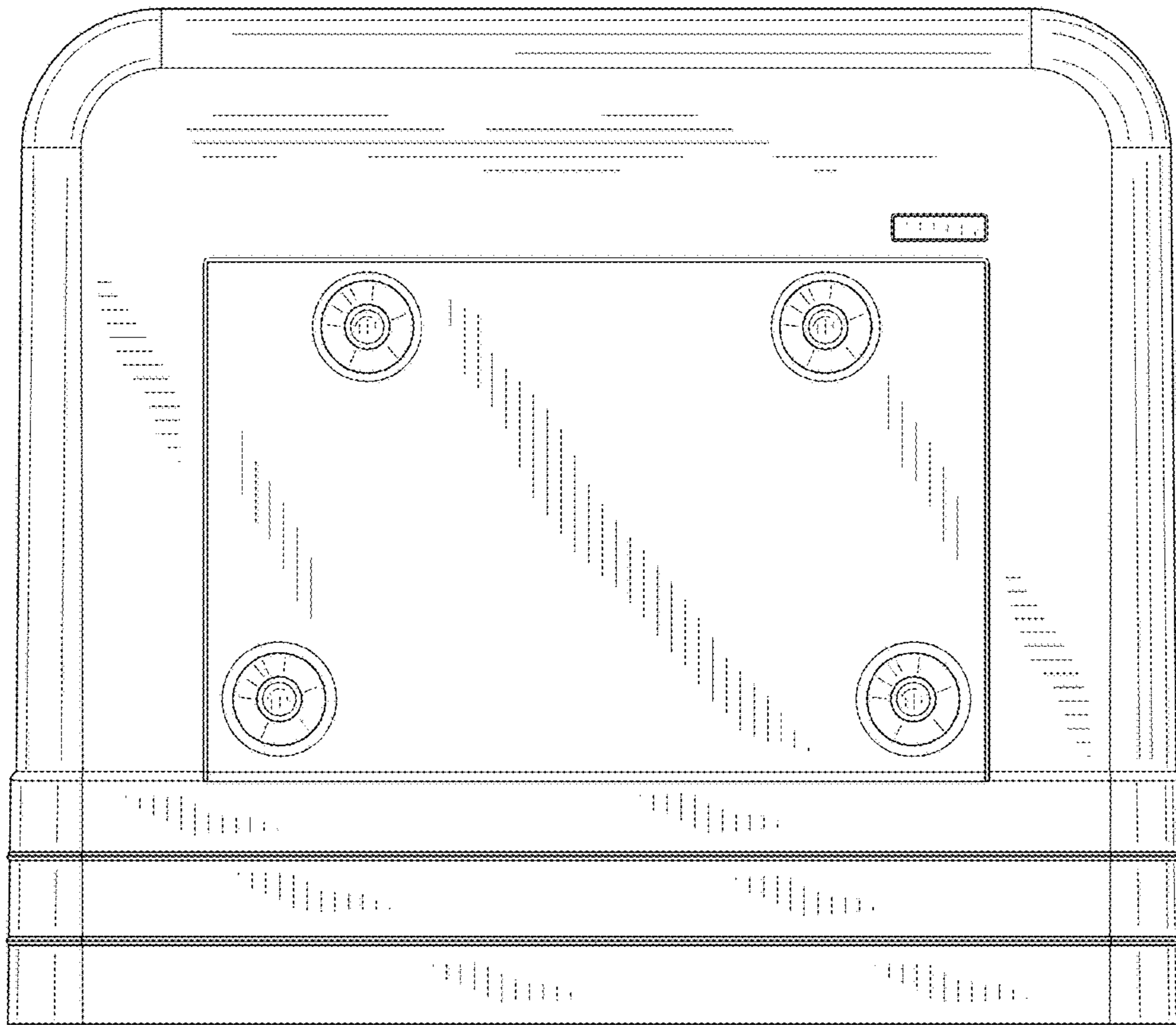


FIG. 37

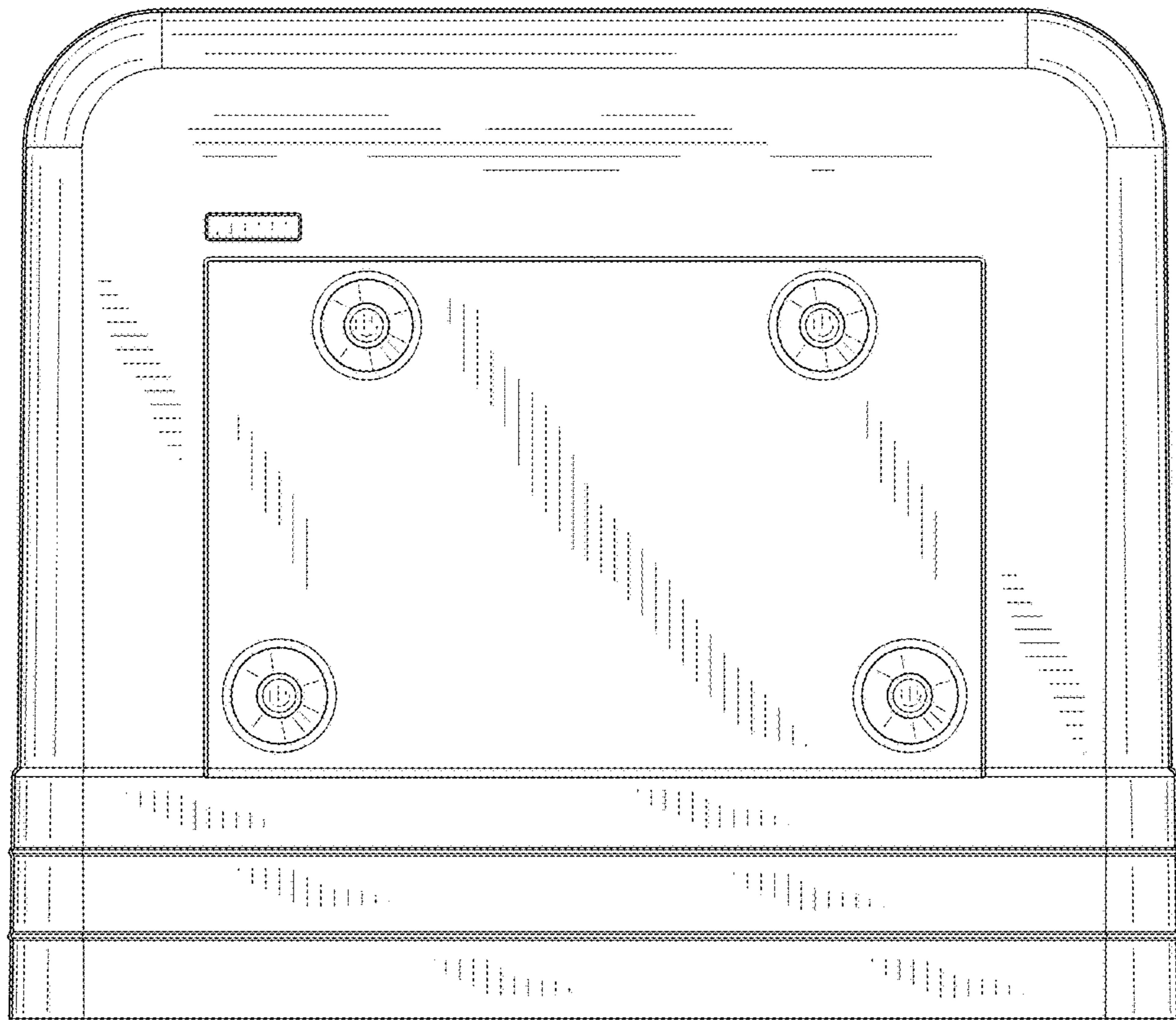


FIG. 38

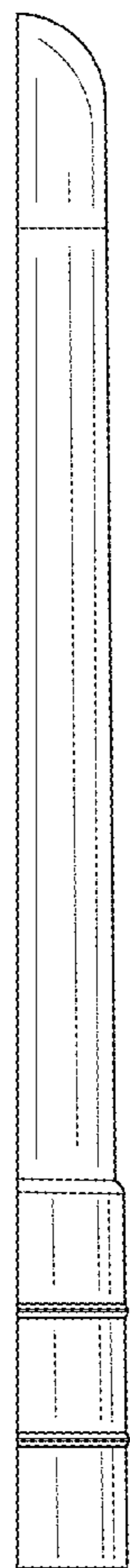


FIG. 39

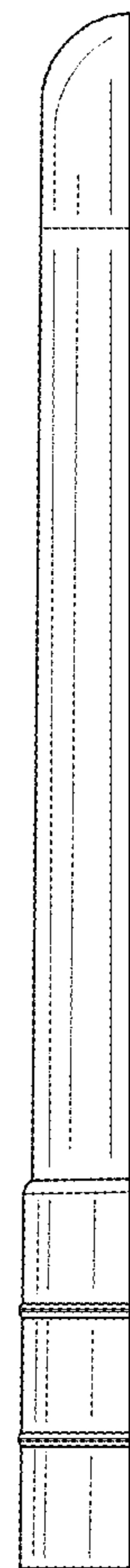


FIG. 40



FIG. 41



FIG. 42

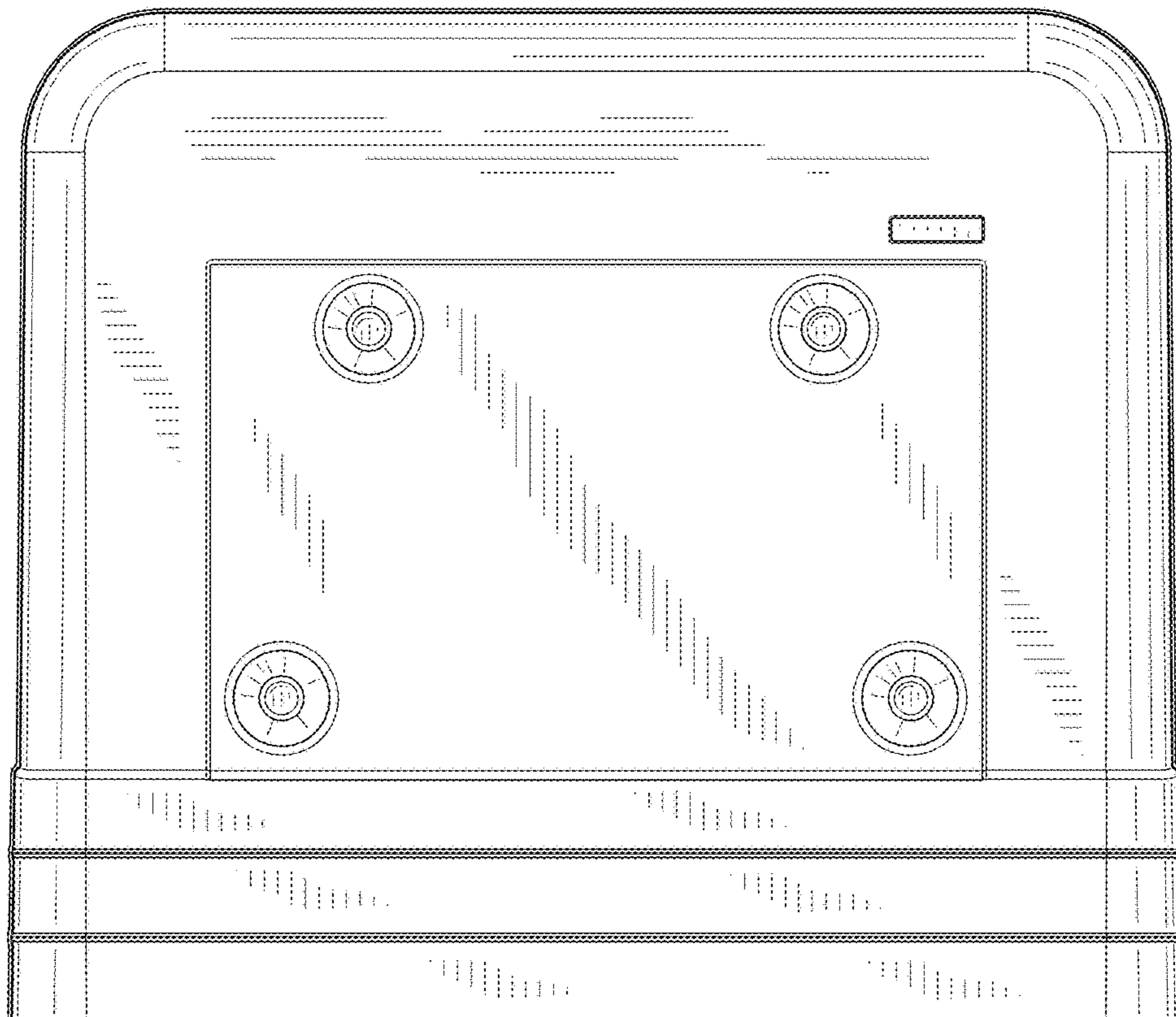


FIG. 43

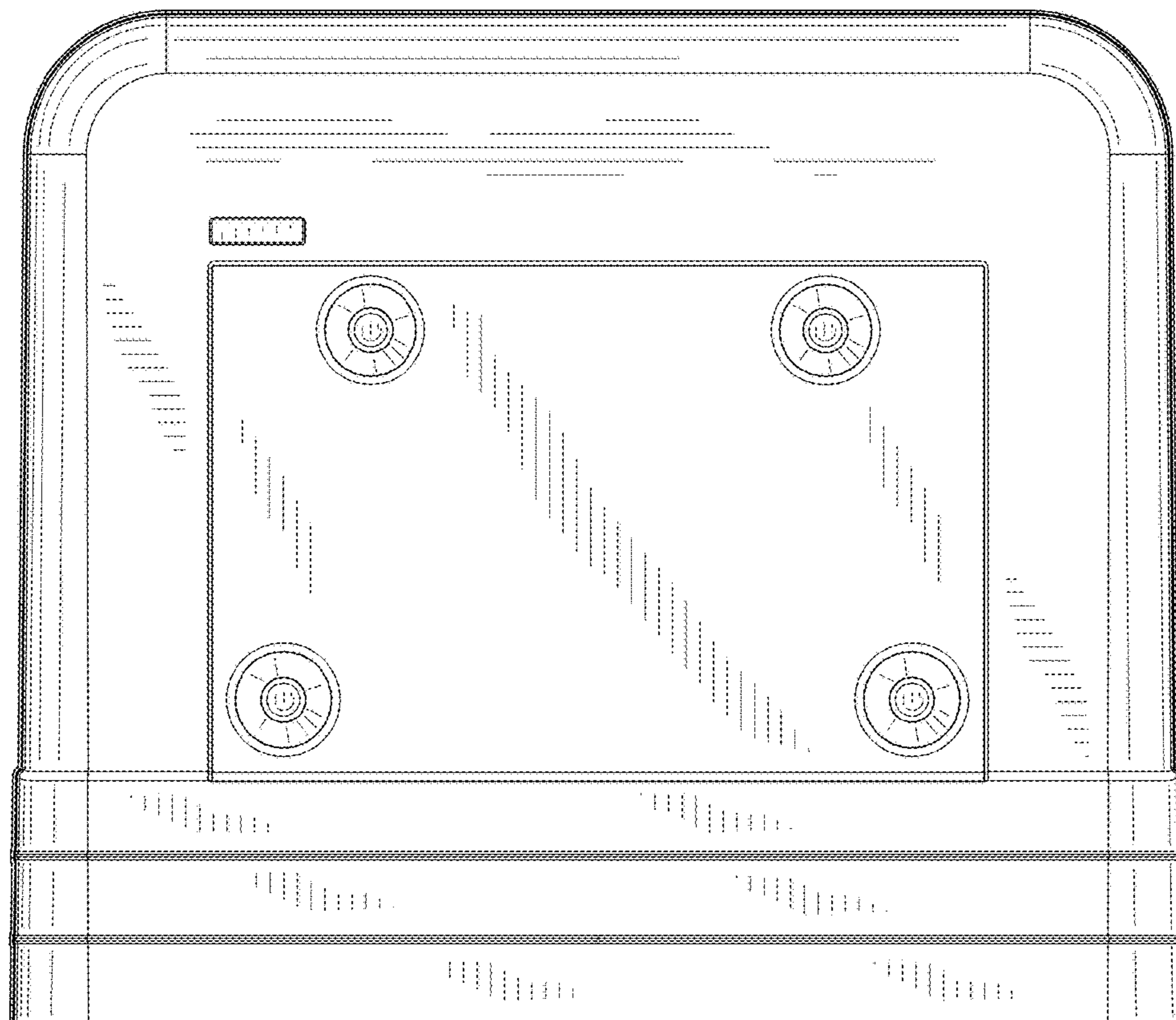


FIG. 44

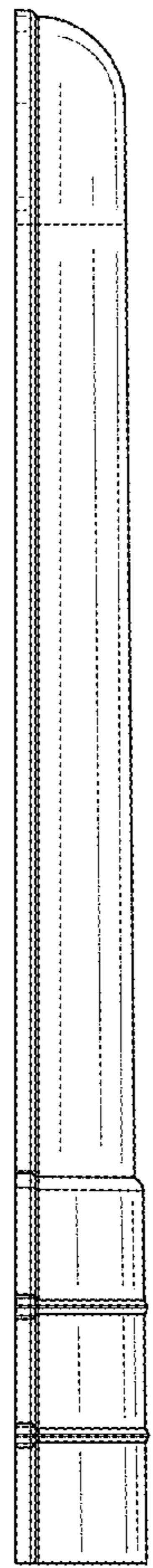


FIG. 45

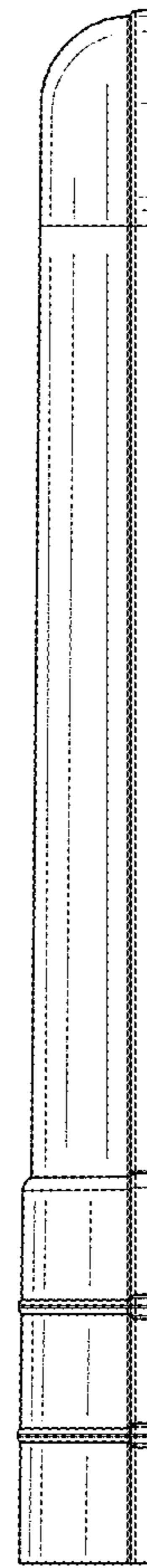


FIG. 46



FIG. 47

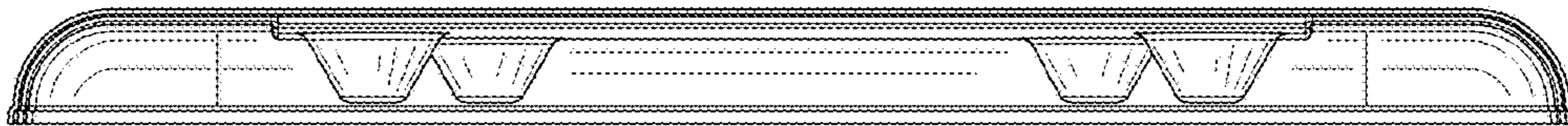


FIG. 48

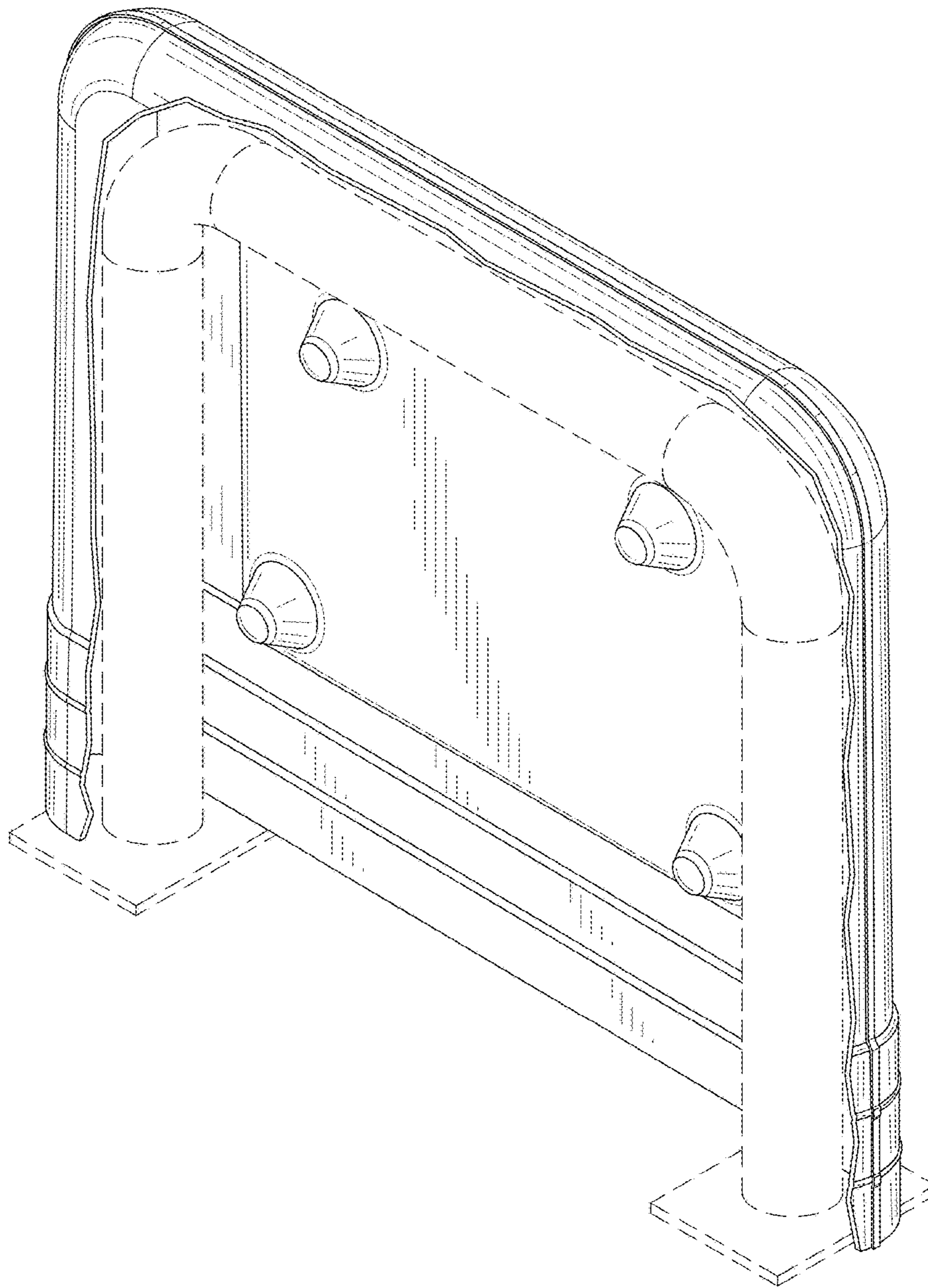


FIG. 49

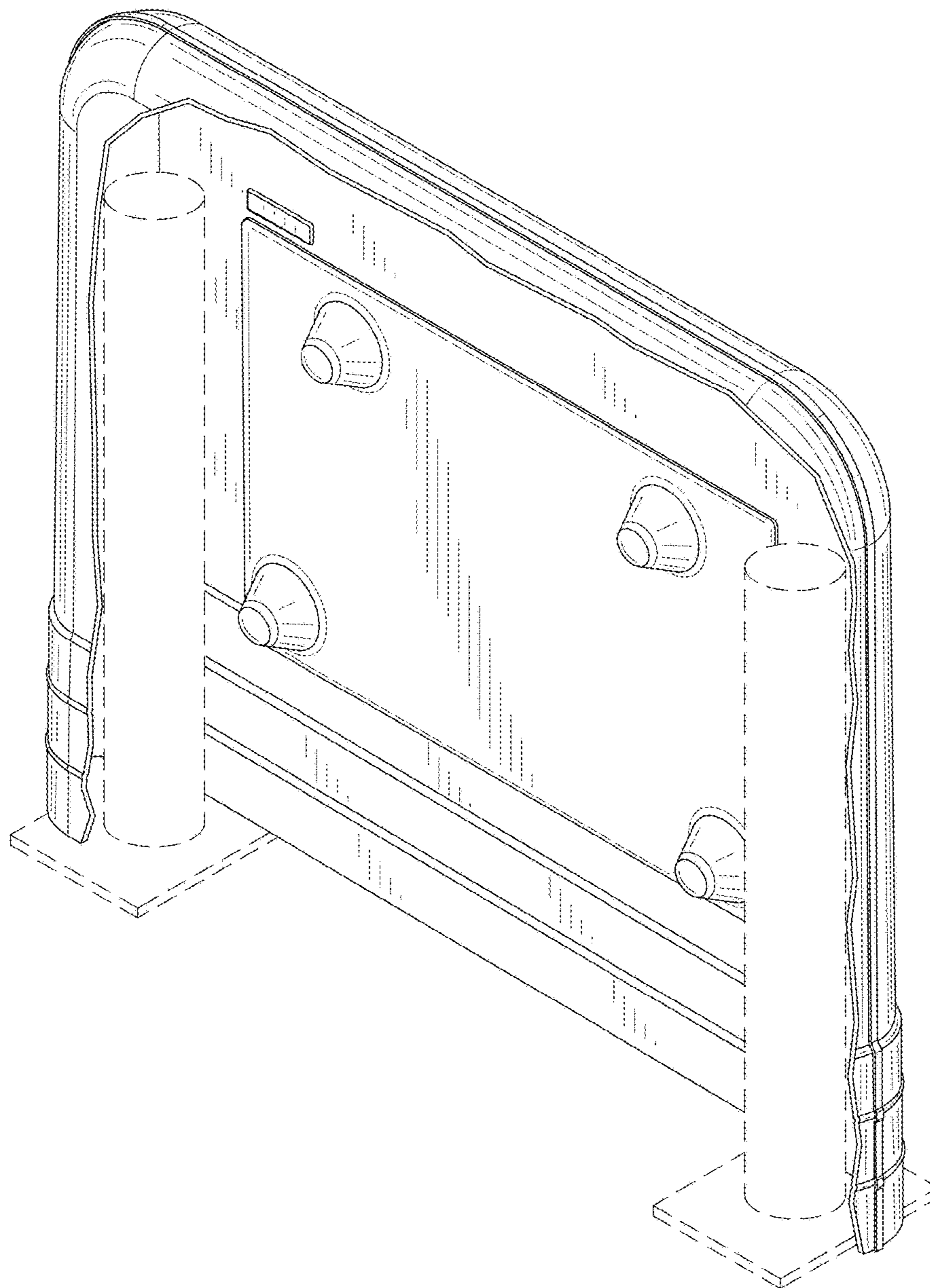


FIG. 50

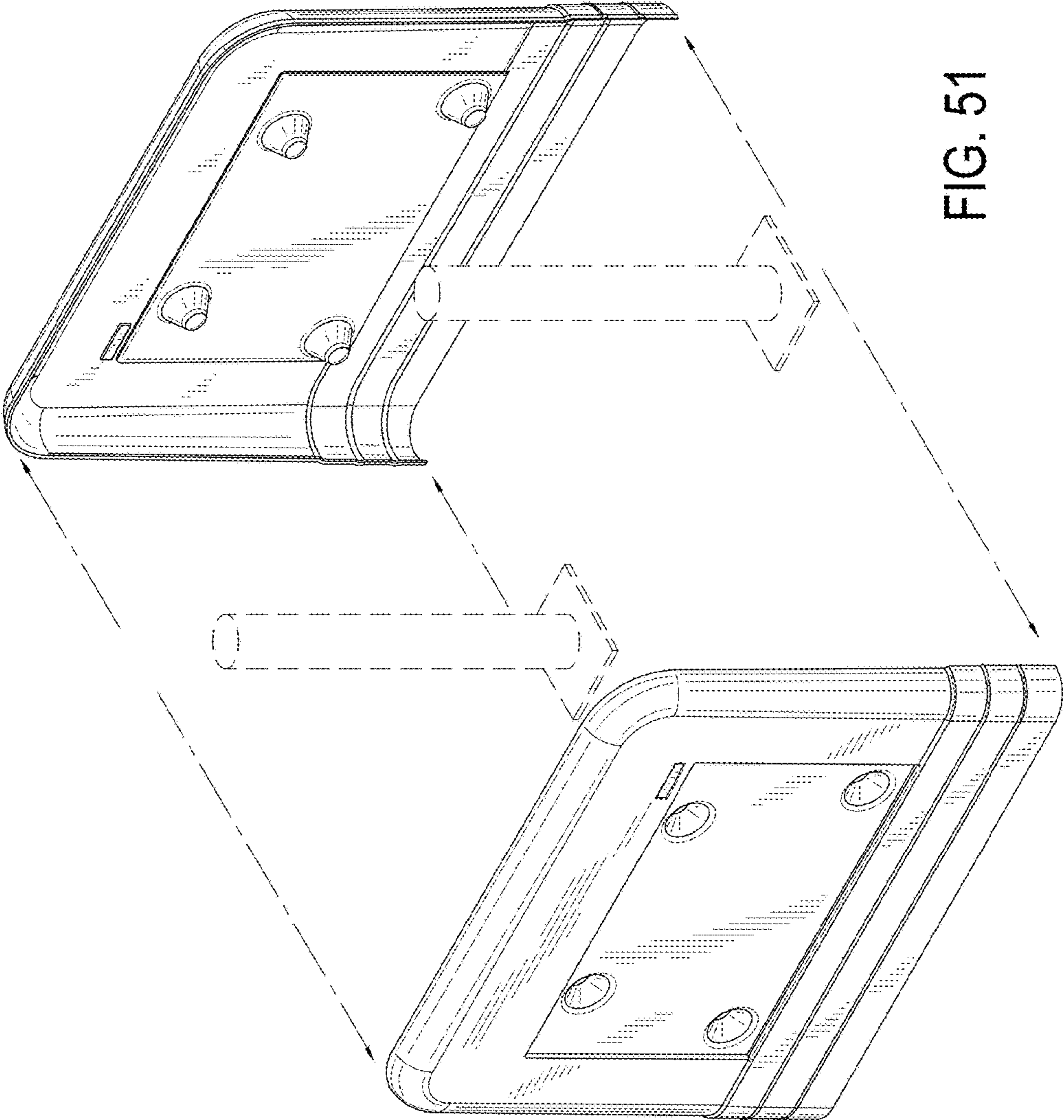


FIG. 51