



US00D834730S

(12) **United States Design Patent** (10) **Patent No.:** **US D834,730 S**
Charette (45) **Date of Patent:** **** Nov. 27, 2018**

(54) **POST FOR CLOTHESLINE**
(71) Applicant: **9143-8010 QUEBEC INC.**, Shawinigan (CA)
(72) Inventor: **Pierre Charette**, Notre-Dame-du-Mont-Carmel (CA)
(73) Assignee: **9143-8010 QUEBEC INC.**, Shawinigan (CA)
(**) Term: **15 Years**
(21) Appl. No.: **29/565,570**
(22) Filed: **May 23, 2016**

(74) *Attorney, Agent, or Firm* — Welsh Flaxman & Gitler LLC

(57) **CLAIM**
The ornamental design for a post for clothesline, as shown and described.

DESCRIPTION

FIG. 1 is a front view of the post for clothesline with the top cap attached;
FIG. 2 is an enlarged partial front view as indicated by the broken line circle "2" in FIG. 1;
FIG. 3 is an enlarged partial front view as indicated by the broken line circle "3" in FIG. 1;
FIG. 4 is an enlarged partial front view as indicated by the broken line circle "4" in FIG. 1;
FIG. 5 is a left side view thereof;
FIG. 6 is a right side view thereof;
FIG. 7 is a rear view thereof;
FIG. 8 is a top view of the post for clothesline with the cap removed;
FIG. 9 is a top view of the post for clothesline with the cap attached;
FIG. 10 is a bottom view of the post for clothesline;
FIG. 11 is a front perspective view of the post for clothesline;
FIG. 12 is an enlarged partial front view of the post for clothesline as indicated by the broken line circle "12" in FIG. 1;
FIG. 13 is an enlarged partial rear view of the post for clothesline as indicated by the broken line circle "13" in FIG. 7;
FIG. 14 is an enlarged partial right side view of the post for clothesline as indicated by the broken line circle "14" in FIG. 6; and,
FIG. 15 is an enlarged partial left side view of the post for clothesline as indicated by the broken line circle "15" in FIG. 5.
The dashed lines shown in FIGS. 4, 8, and 10 illustrate portions of the post for clothesline that form no part of the claimed design.

Related U.S. Application Data

(62) Division of application No. 29/494,616, filed on Jun. 23, 2014, now Pat. No. Des. 762,877.
(51) **LOC (11) Cl.** **25-01**
(52) **U.S. Cl.**
USPC **D25/126**
(58) **Field of Classification Search**
USPC D25/119, 120, 121, 122, 123, 124, 125, D25/126, 127, 128, 129, 130, 131, 132,
(Continued)

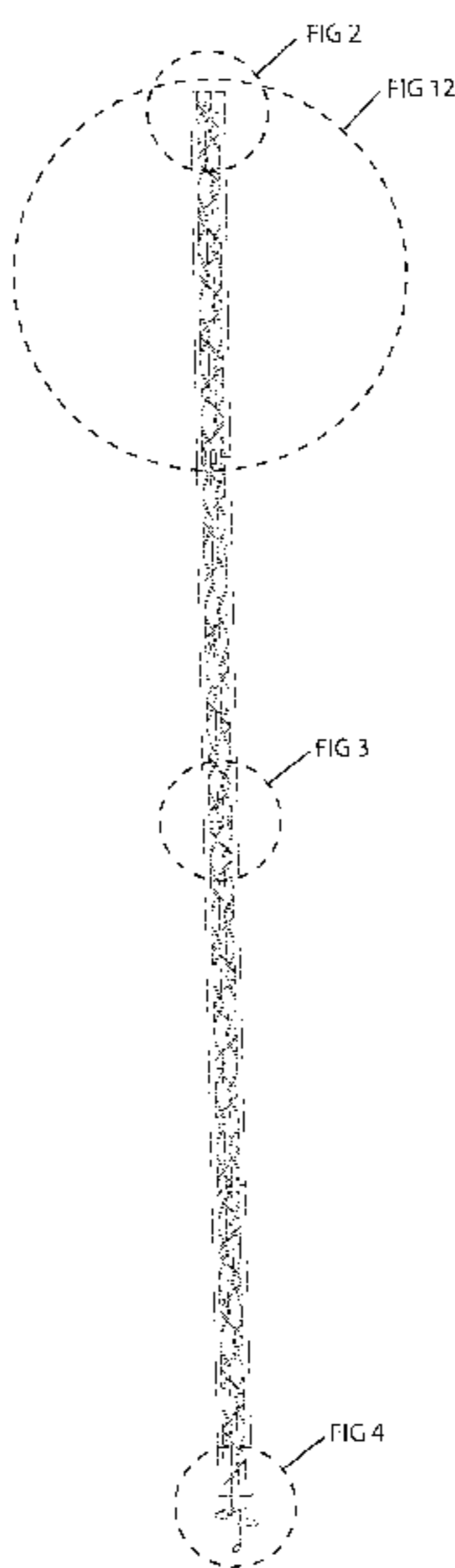
(56) **References Cited**

U.S. PATENT DOCUMENTS

D229,400 S 11/1973 Ashley
D347,072 S 5/1994 Hallin
(Continued)

Primary Examiner — Cathron C Brooks
Assistant Examiner — Samantha Q. Lawrence

1 Claim, 11 Drawing Sheets



(58) **Field of Classification Search**

USPC D25/133, 134, 135; 52/118, 632, 645,
52/651.1
CPC . E04C 3/005; E04C 2003/0495; E05D 15/54;
E05Y 2900/40; E05F 15/54; E04B
1/3441; E04B 2001/1927; E04H 12/10;
B66F 7/065

See application file for complete search history.

(56) **References Cited**

U.S. PATENT DOCUMENTS

D438,647 S	3/2001	Hing	
D485,917 S *	1/2004	Tseng	D25/126
7,028,442 B2 *	4/2006	Merrifield	B64G 1/222 52/114
D558,901 S	1/2008	Hing	
7,694,486 B2 *	4/2010	Murphy	B64G 1/222 52/645
7,716,897 B2 *	5/2010	Merrifield	B64G 1/222 52/118
D663,862 S	7/2012	Leadford	
8,613,176 B2 *	12/2013	Daas	E04B 1/3441 52/636
8,621,815 B2 *	1/2014	Daas	E04C 3/005 52/632
D705,450 S	5/2014	Landry	
D742,979 S	11/2015	Post	
9,285,498 B2 *	3/2016	Carver	G01N 23/04
D762,877 S *	8/2016	Charette	D25/126
2008/0307709 A1	12/2008	Stull	
2015/0011370 A1 *	1/2015	Henniger	A63B 21/00047 482/145
2016/0010333 A1	1/2016	Freebury et al.	

* cited by examiner

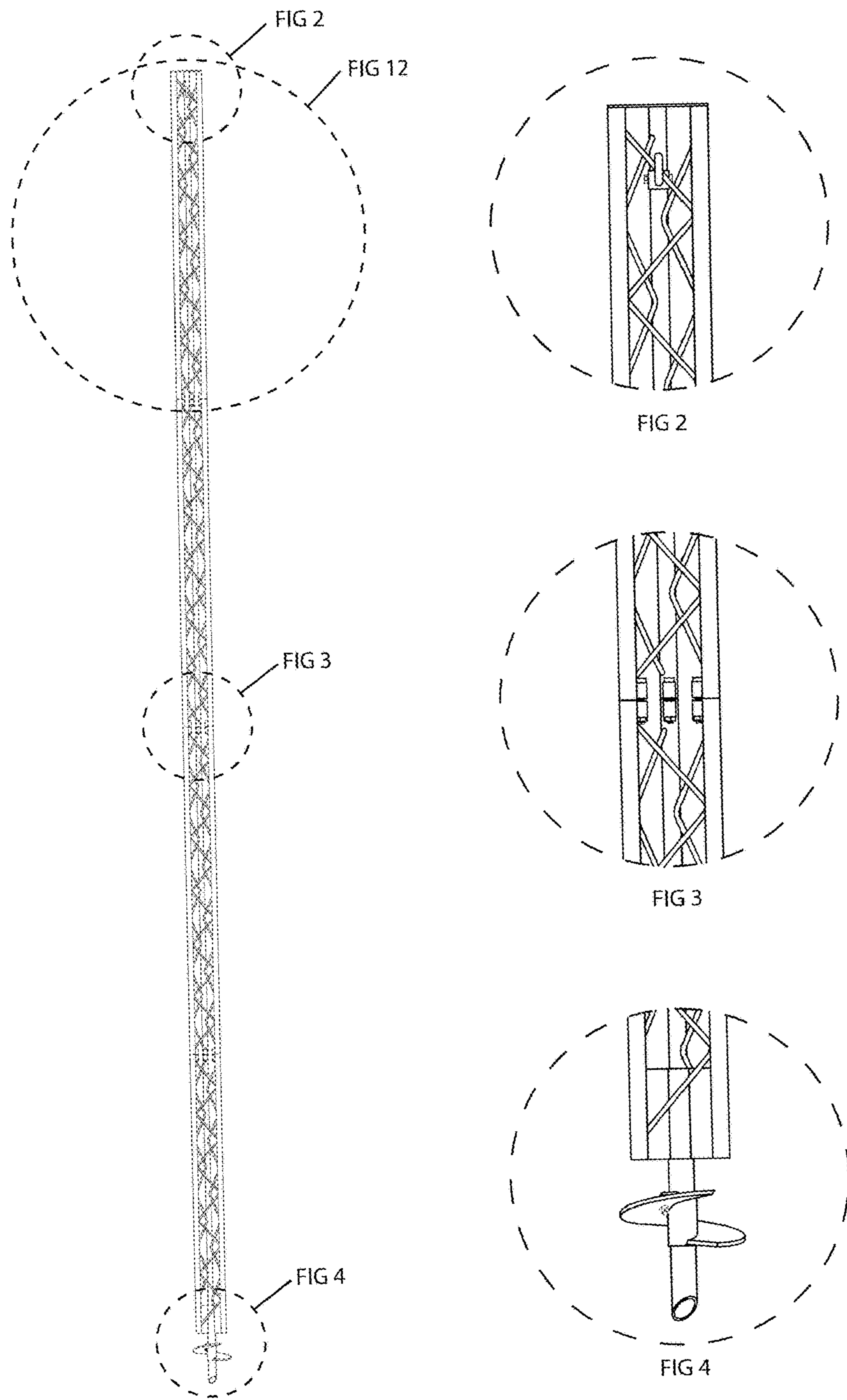


FIG 1

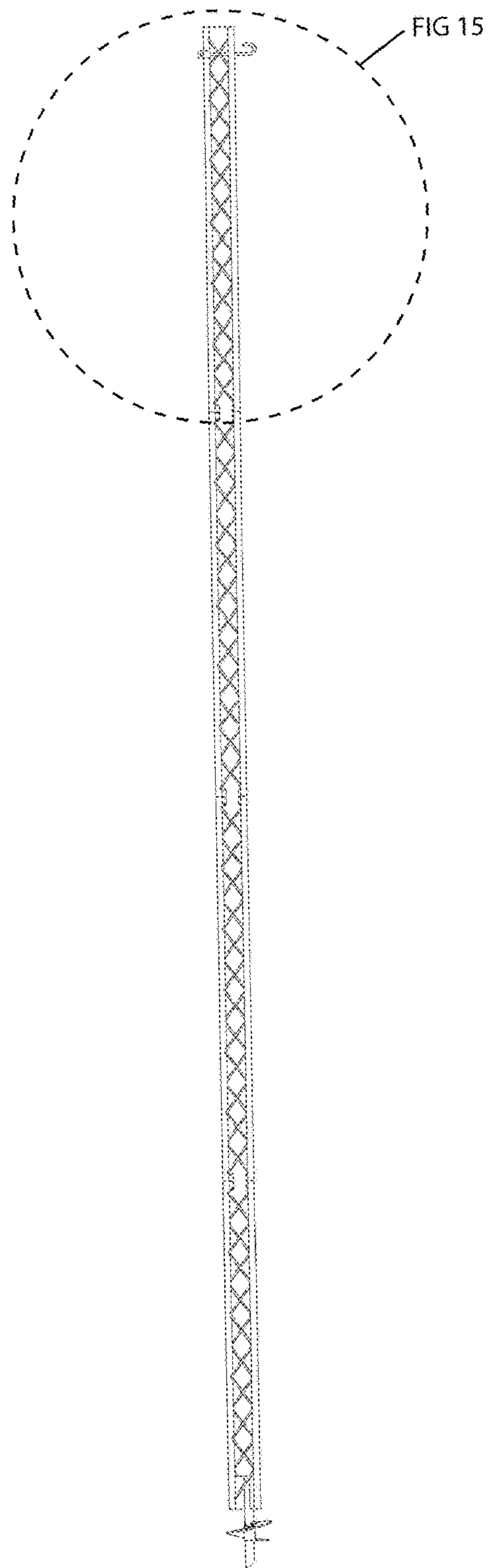


FIG 5

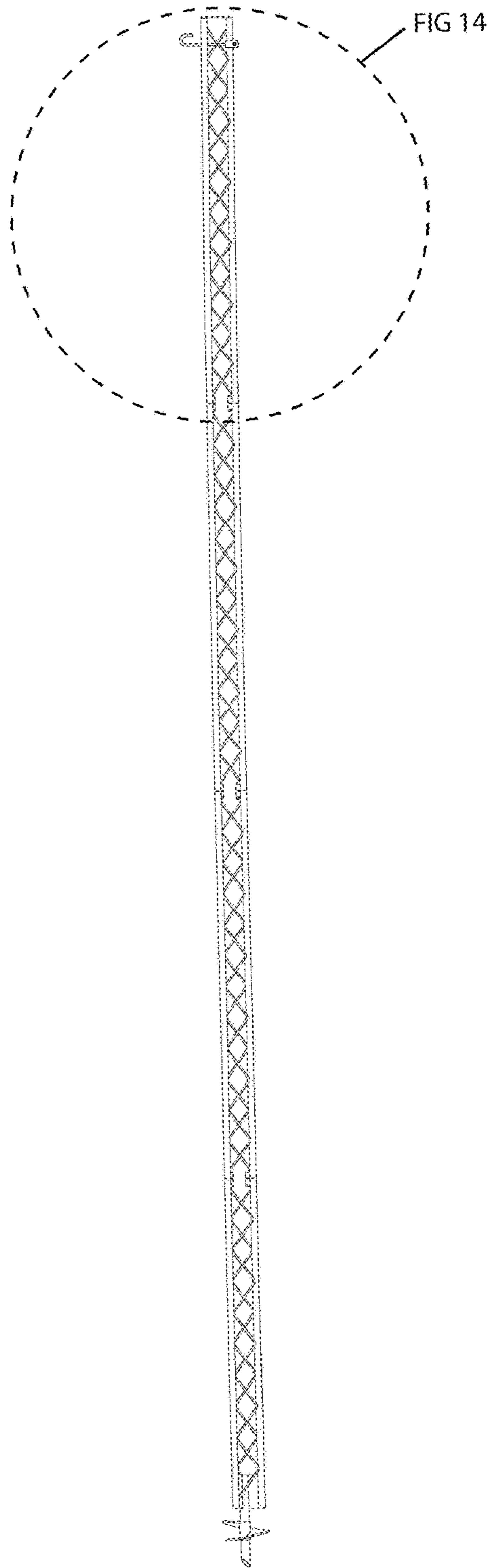


FIG 6

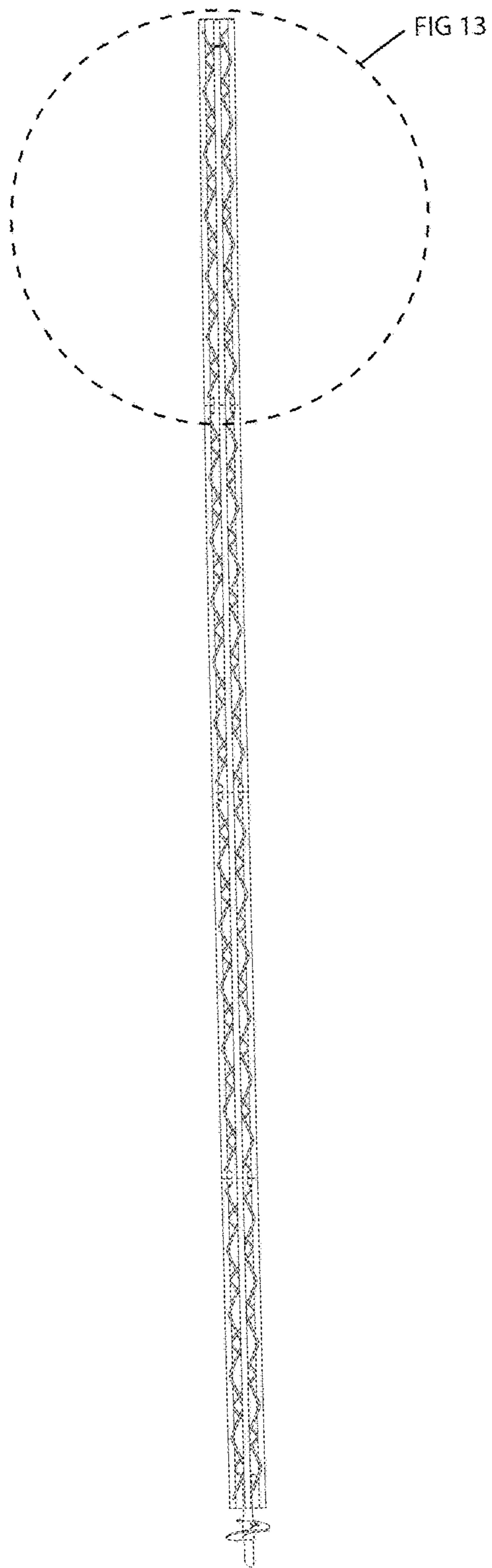


FIG 7

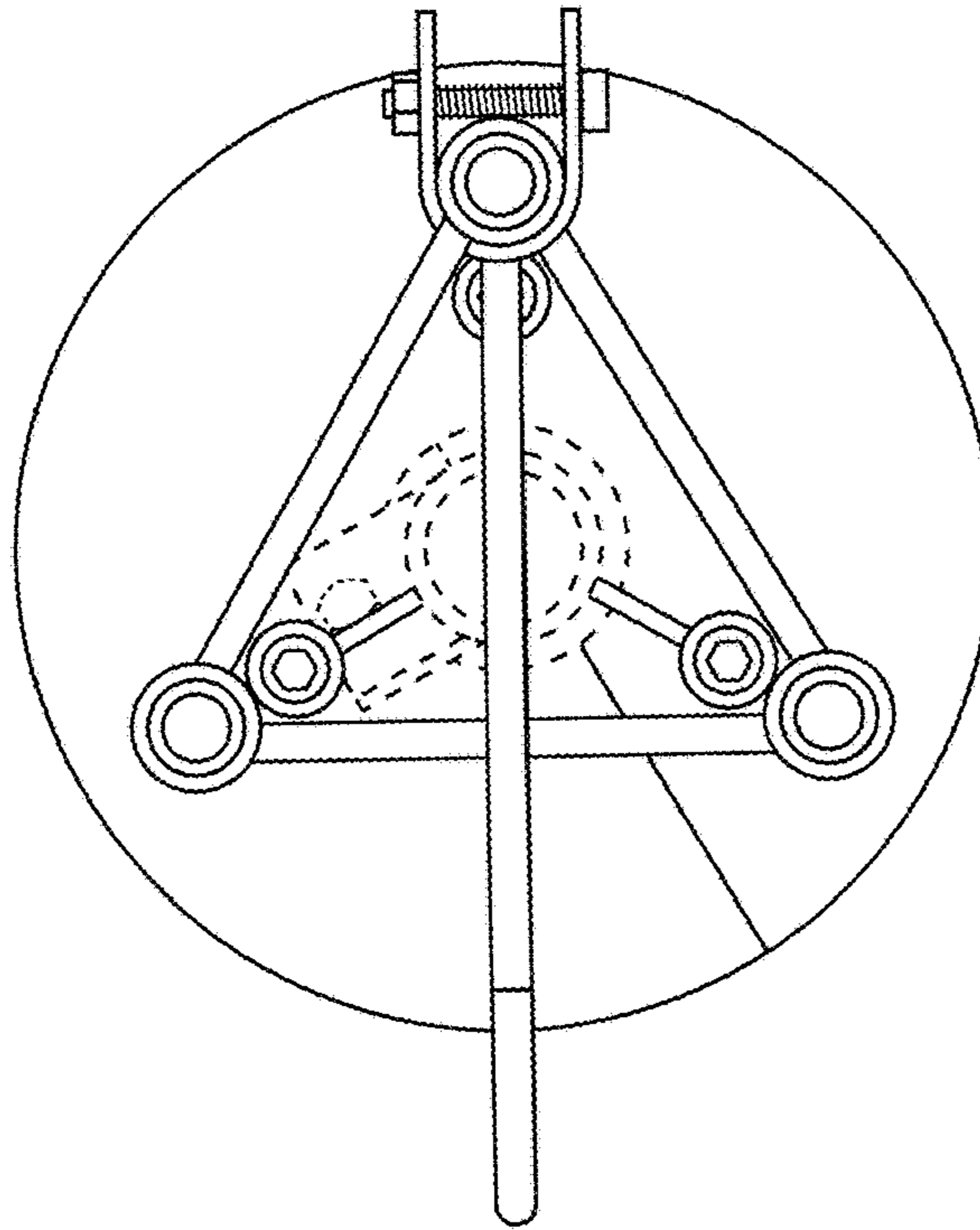


FIG 8

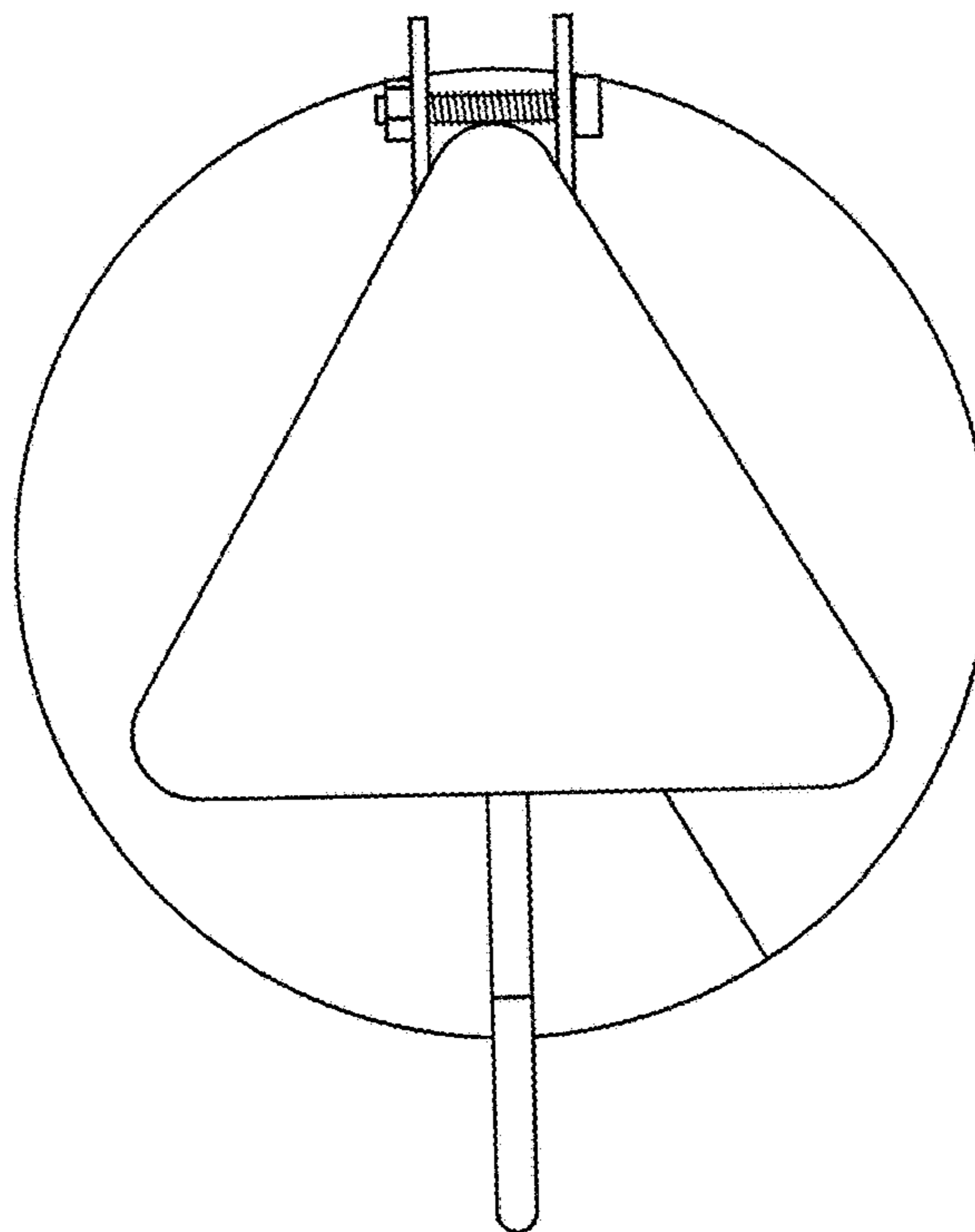


FIG 9

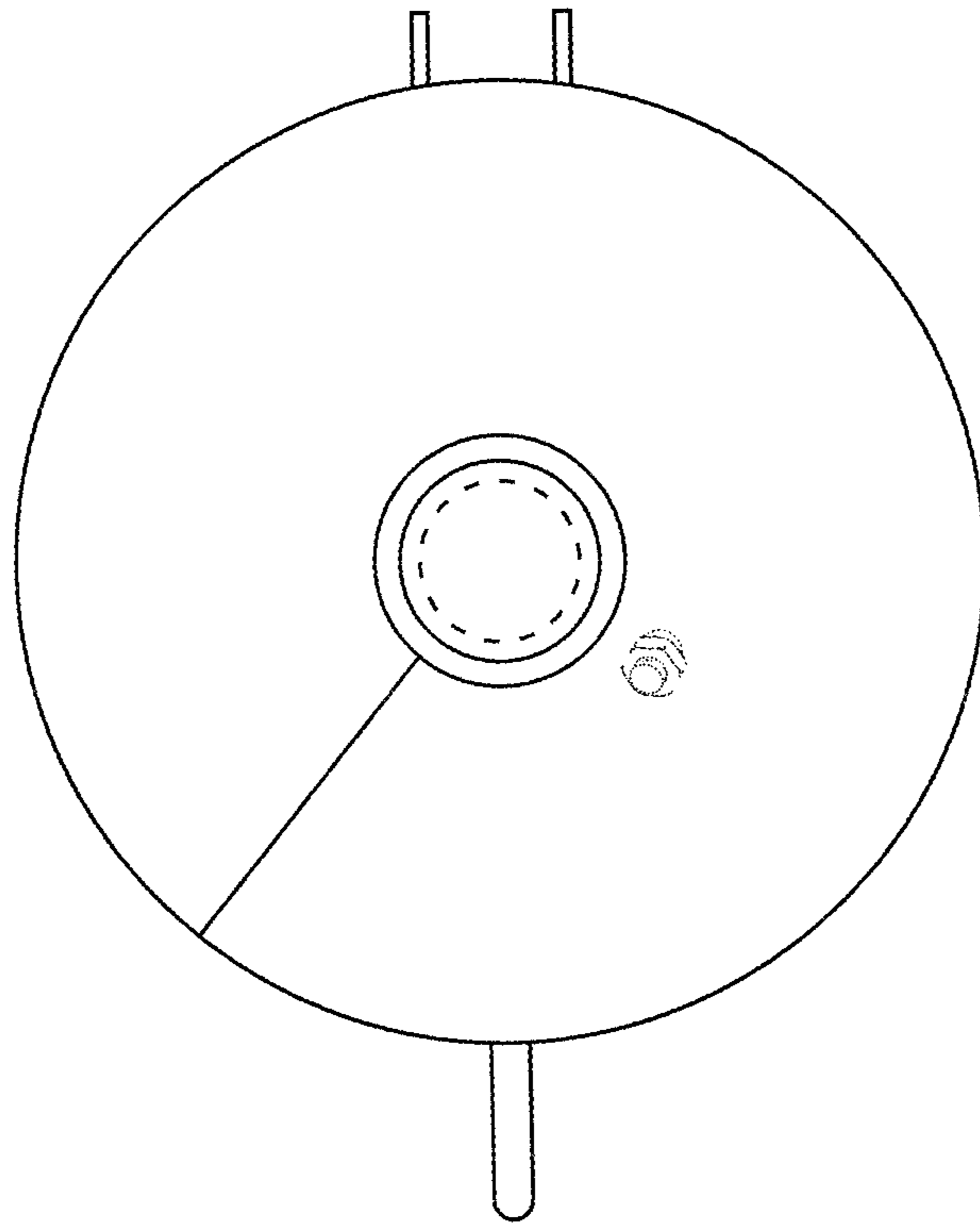


FIG 10

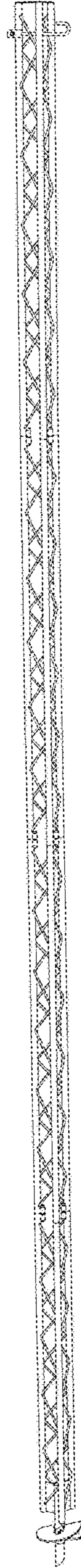


FIG 11

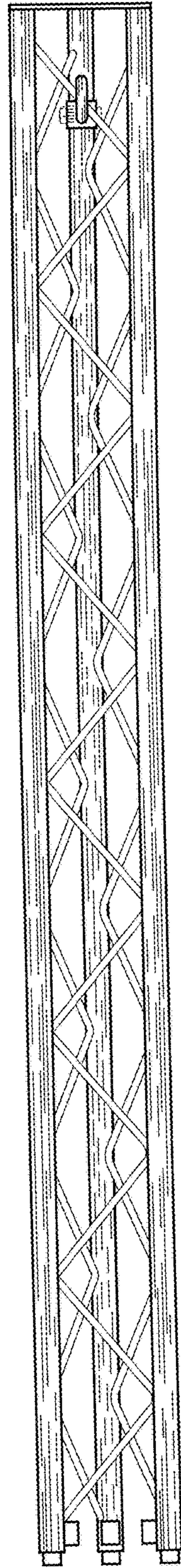


FIG 12

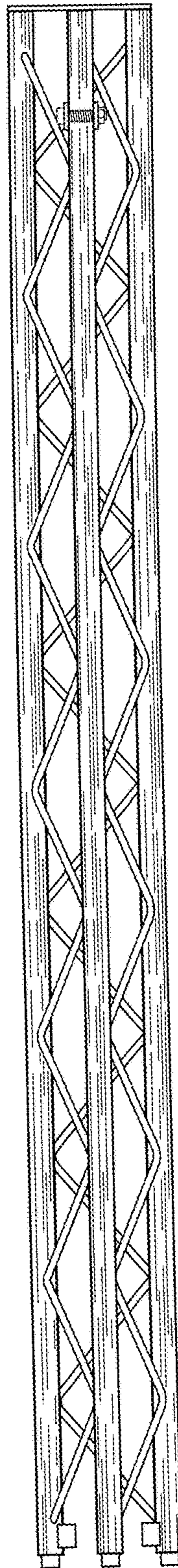


FIG 13

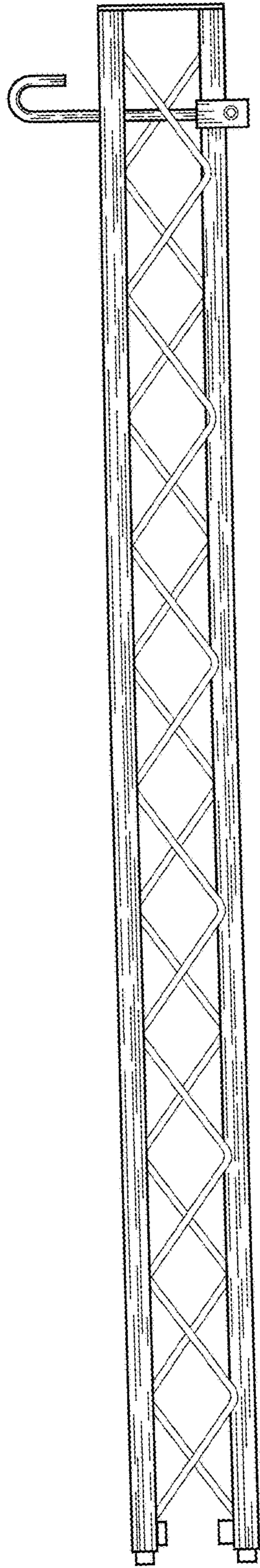


FIG 14

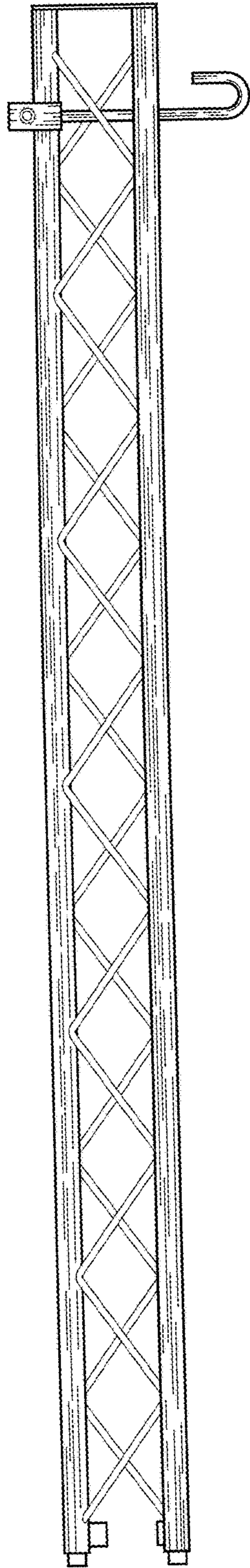


FIG 15