

US00D834729S

(12) **United States Design Patent** (10) **Patent No.:** **US D834,729 S**  
**Lee** (45) **Date of Patent:** **\*\* Nov. 27, 2018**

(54) **JOINT MEMBER FOR A WALL PANEL**

(71) Applicant: **Chung Jong Lee**, Seoul (KR)

(72) Inventor: **Chung Jong Lee**, Seoul (KR)

(\*\*) Term: **15 Years**

(21) Appl. No.: **29/589,197**

(22) Filed: **Dec. 29, 2016**

(30) **Foreign Application Priority Data**

Jun. 30, 2016 (KR) ..... 30-2016-0032070

(51) **LOC (11) Cl.** ..... **25-01**

(52) **U.S. Cl.**  
USPC ..... **D25/119**

(58) **Field of Classification Search**

USPC ..... D25/119-126, 131-137, 164, 199;  
D12/223, 400; D34/35; D20/42-44;  
D26/138; D8/349, 354, 376, 377, 378,  
D8/380, 381; D6/702, 709, 712, 719  
CPC ... E04C 3/00; E04C 3/005; E04C 3/02; E04C  
3/04; E04C 3/12; E04C 3/20; E04C 3/28;  
E04C 3/30; E04F 19/02; E04F 19/022;  
E04F 19/026; E04F 19/028; E04F 19/04;  
E04F 19/0436; E04F 19/0481; E04F  
19/0486; E04F 19/06; E04F 19/061;  
E06B 1/00; E06B 1/006; E06B 1/02;  
E06B 1/04; E06B 1/045; E06B 1/12;  
E06B 1/16; E06B 1/34; E06B 1/342;  
E06B 1/345; E06B 1/347; E06B 1/36;  
E06B 1/363; E06B 1/366; E06B 1/38;  
E06B 1/40; E06B 1/52; E06B 1/522;  
E06B 1/524; E06B 1/526; E06B 1/528;  
E06B 1/56; E06B 1/60; E06B 1/6092;  
E06B 1/62; E06B 1/70; E06B 1/702;  
E06B 1/705; E06B 1/707; E04B 2/00;  
E04B 2/74; E04B 2/76; E04B 2/761;  
E04B 2/762; E04B 2/763; E04B 2/764;  
E04B 2/765; E04B 2/7854; E04B 2/7863;  
E04B 2/7872; E04B 2/7881; E04B 2/789;

E04B 2001/2436; E04B 2001/2439; E04B  
2001/2442; E04B 2001/2445; E04B  
2001/2448; E04B 2001/2451; E04B  
2001/2454; E04B 2001/2457; E04B  
2001/246; E04B 2001/2463

See application file for complete search history.

(56) **References Cited**

U.S. PATENT DOCUMENTS

D194,587 S *	2/1963	Waring	.....	D25/121
D243,685 S *	3/1977	Dallaire	.....	D25/124
D250,847 S *	1/1979	Lemieux	.....	D25/123
D266,275 S *	9/1982	Schmidt	.....	D25/124
D283,351 S *	4/1986	Bancroft	.....	D25/125
D301,065 S *	5/1989	Dallaire	.....	D25/122
D301,067 S *	5/1989	Dallaire	.....	D25/124
D318,343 S *	7/1991	Miller	.....	D13/155
D356,381 S *	3/1995	Cole	.....	D25/124
D478,858 S *	8/2003	LaBelle	.....	D12/223
D491,280 S *	6/2004	Barnett	.....	D25/119

(Continued)

*Primary Examiner* — Cynthia Ramirez

*Assistant Examiner* — L. Martinez-Rivera

(74) *Attorney, Agent, or Firm* — Novick, Kim & Lee, PLLC; Jae Youn Kim

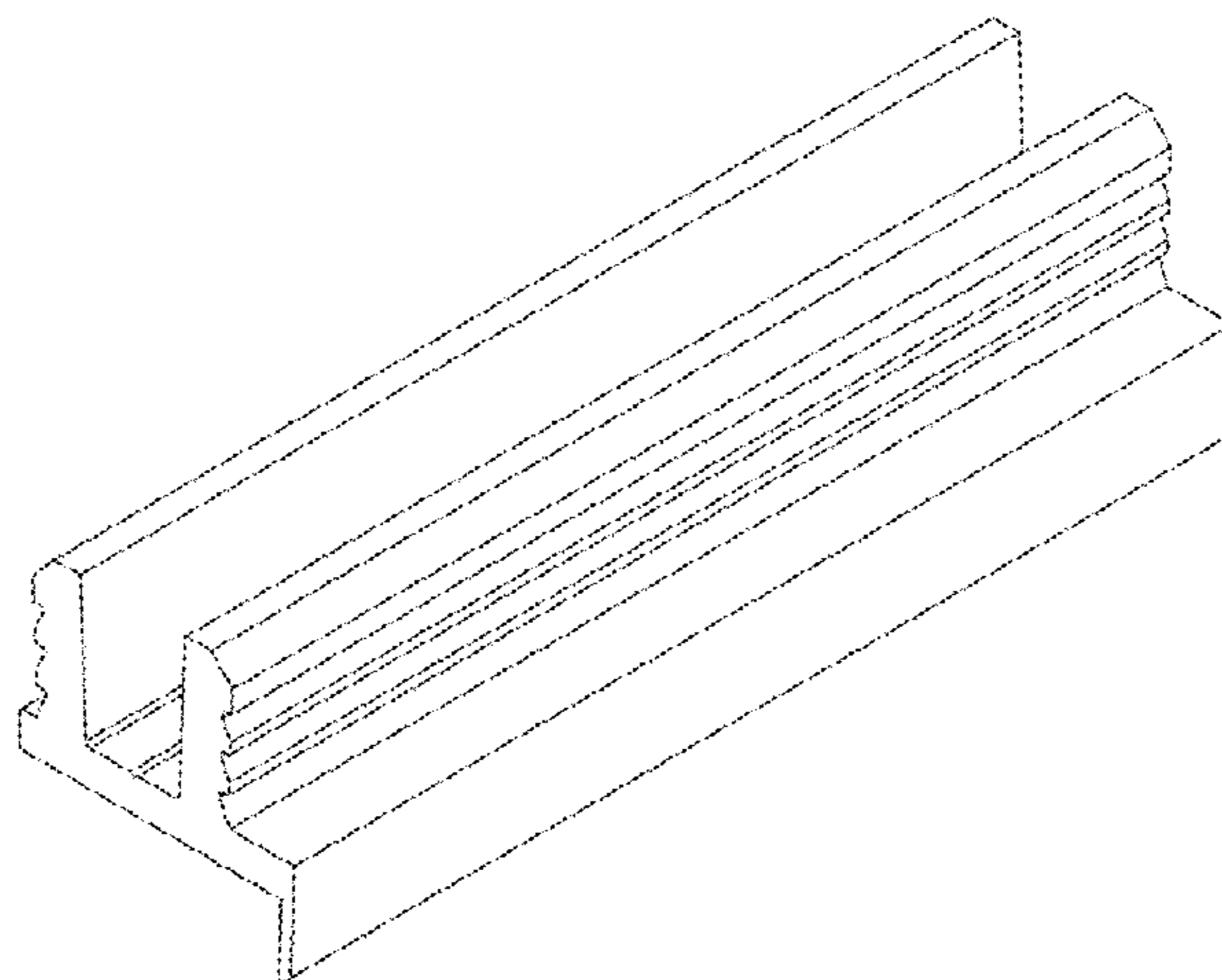
(57) **CLAIM**

The ornamental design for a joint member for a wall panel, as shown and described.

**DESCRIPTION**

FIG. 1 is a perspective view of a joint member for a wall panel showing my new design;  
FIG. 2 is a front elevation view thereof;  
FIG. 3 is a rear elevation view thereof;  
FIG. 4 is a left side view thereof;  
FIG. 5 is a right side view thereof;  
FIG. 6 is a top plan view thereof; and,  
FIG. 7 is a bottom plan view thereof.

**1 Claim, 5 Drawing Sheets**



(56)

**References Cited**

U.S. PATENT DOCUMENTS

D557,429 S *	12/2007	Bullock, Jr. ....	D25/119
D623,342 S *	9/2010	Klu .....	D26/138
D775,374 S *	12/2016	Walker .....	D25/126
D789,559 S *	6/2017	Singh .....	D25/119
2009/0139167 A1 *	6/2009	Donaldson .....	E04F 19/06 52/272
2010/0115870 A1 *	5/2010	Stanchfield .....	E04F 19/061 52/461

\* cited by examiner

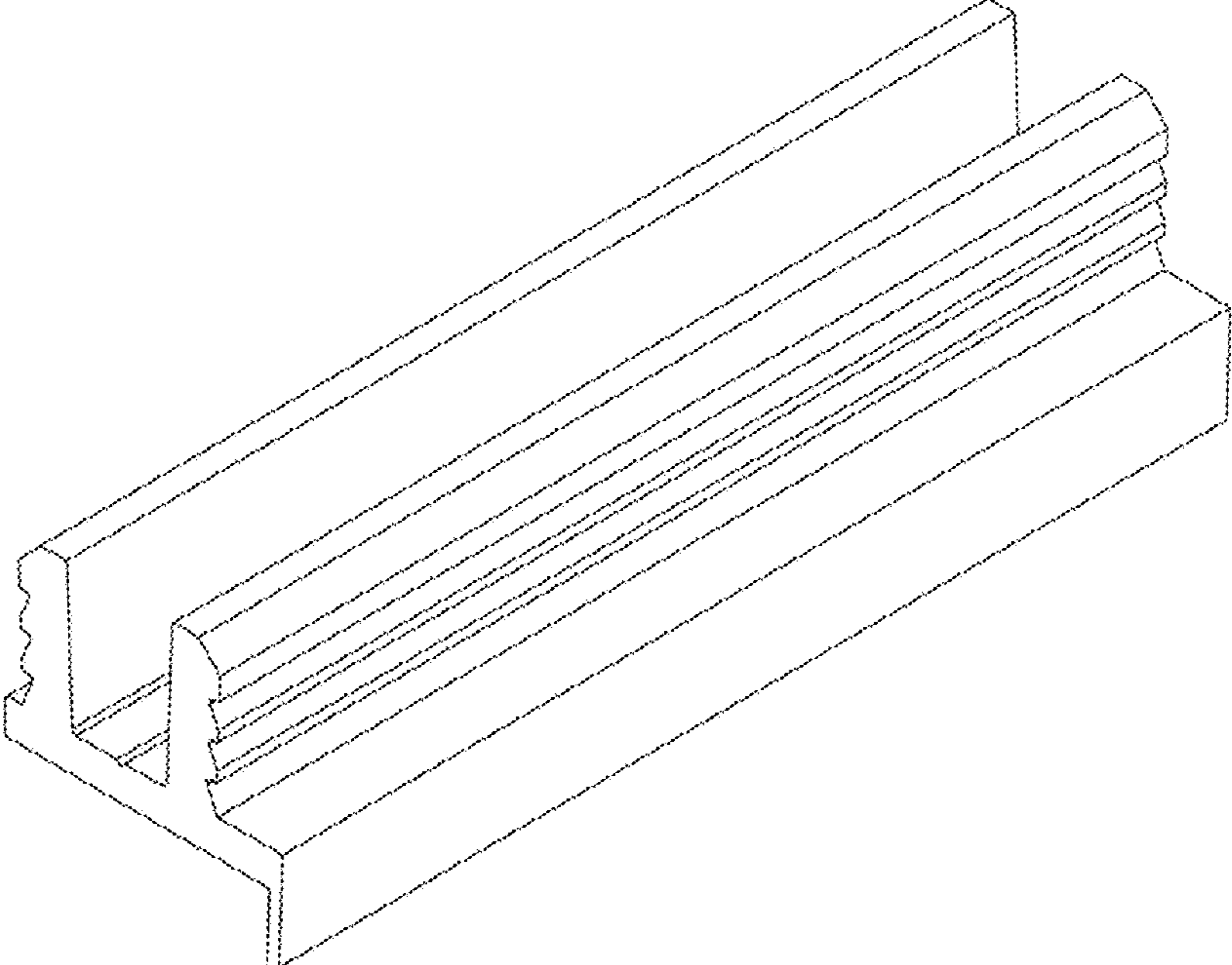
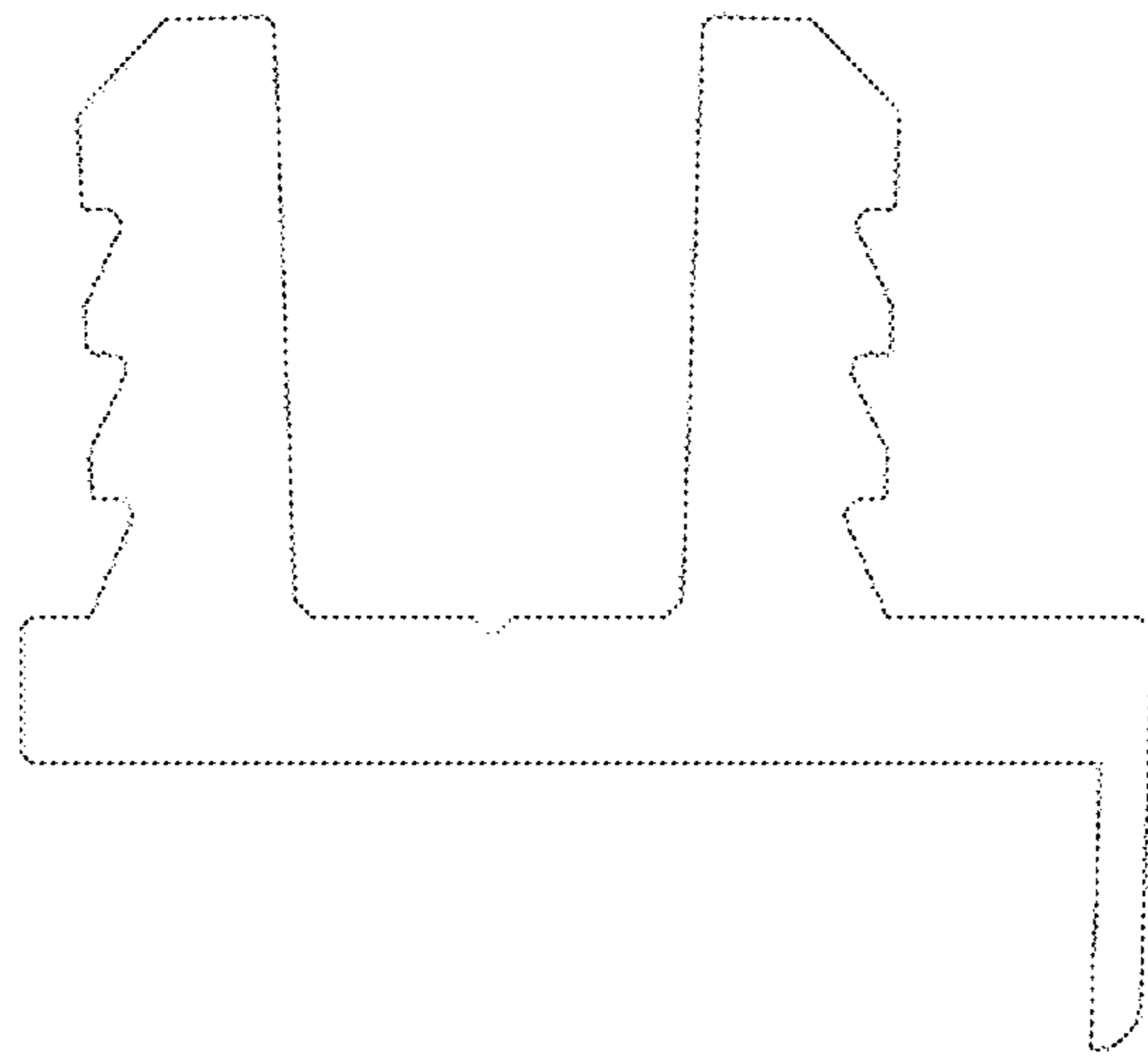
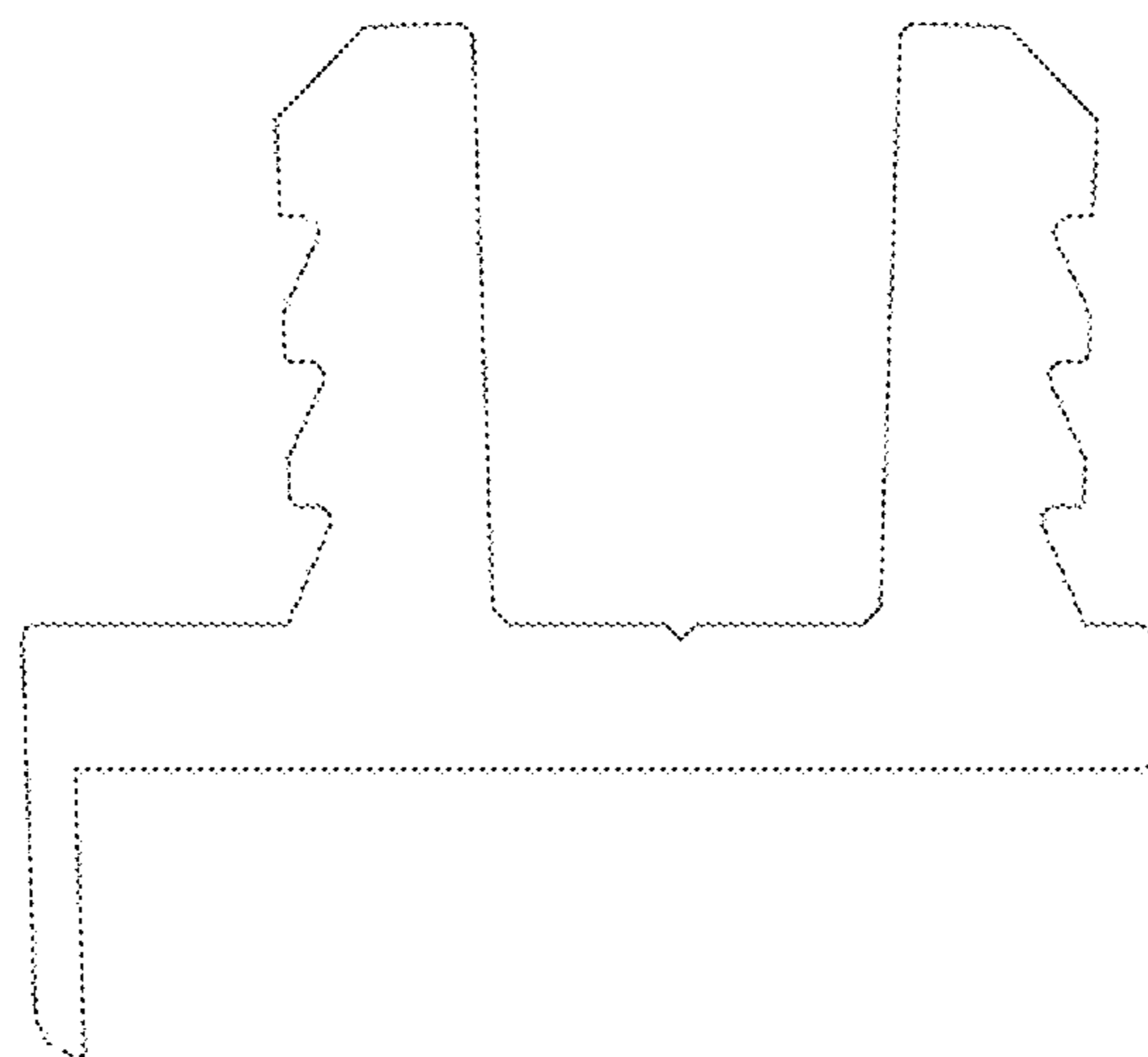


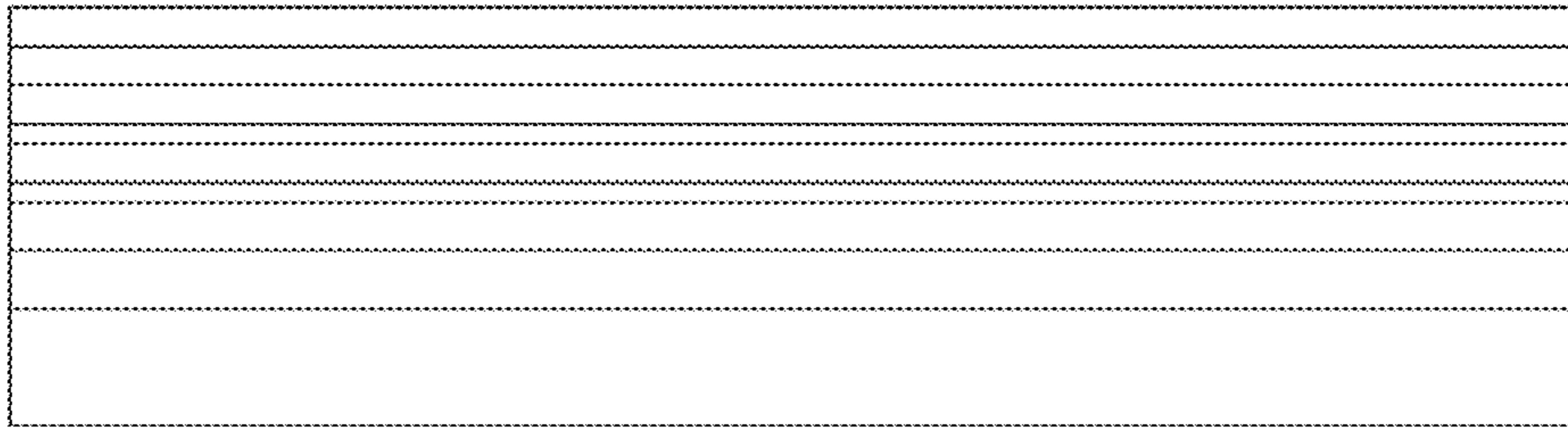
FIG. 1



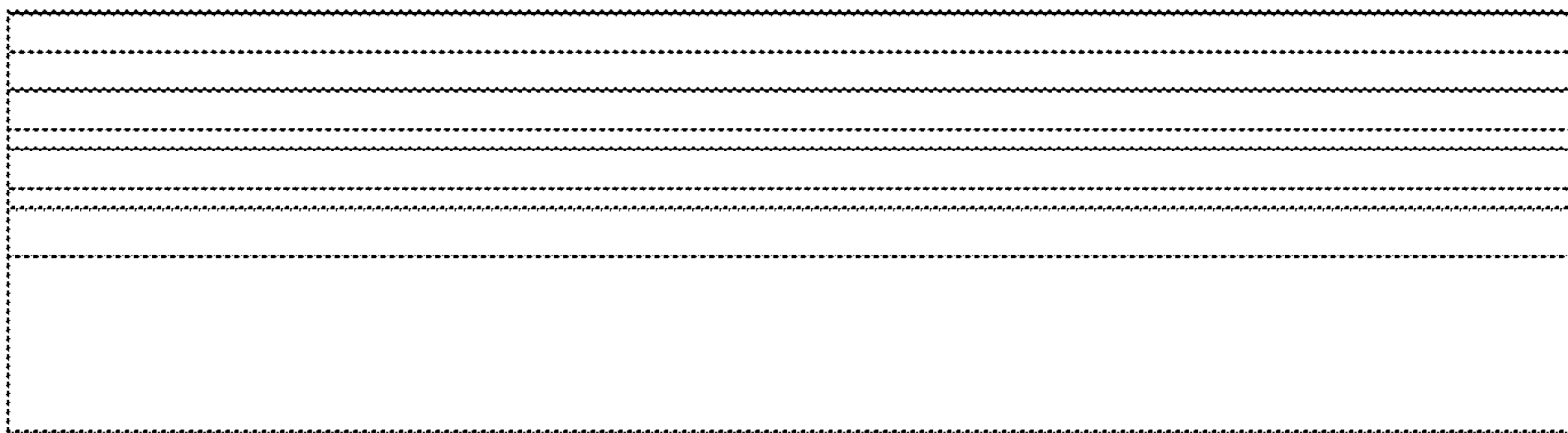
**FIG. 2**



**FIG. 3**



**FIG. 4**



**FIG. 5**

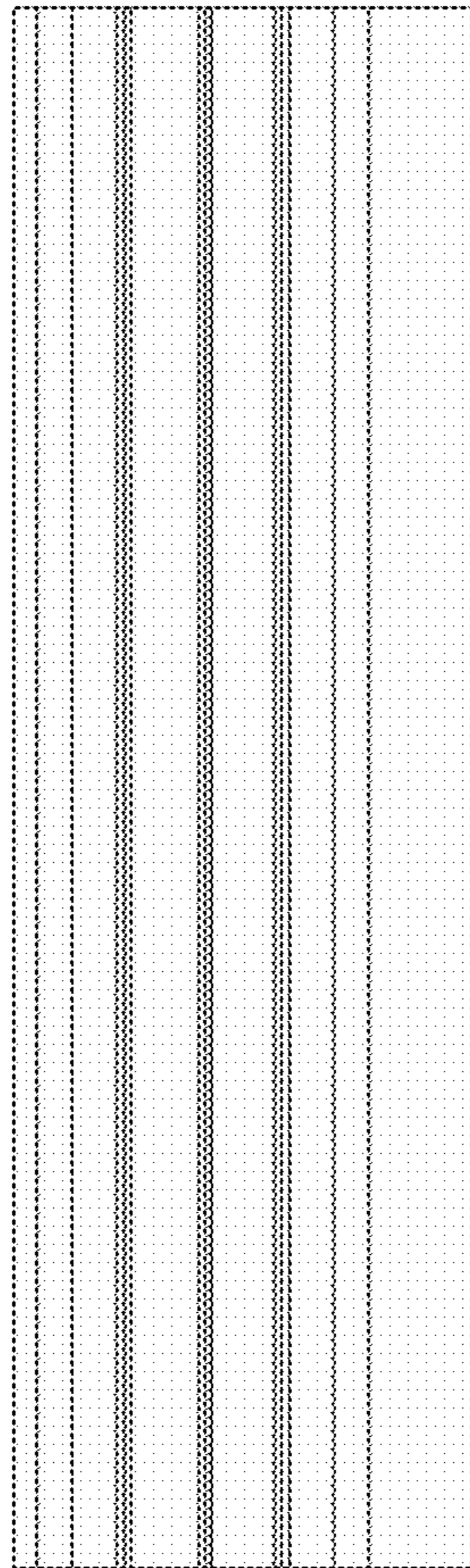
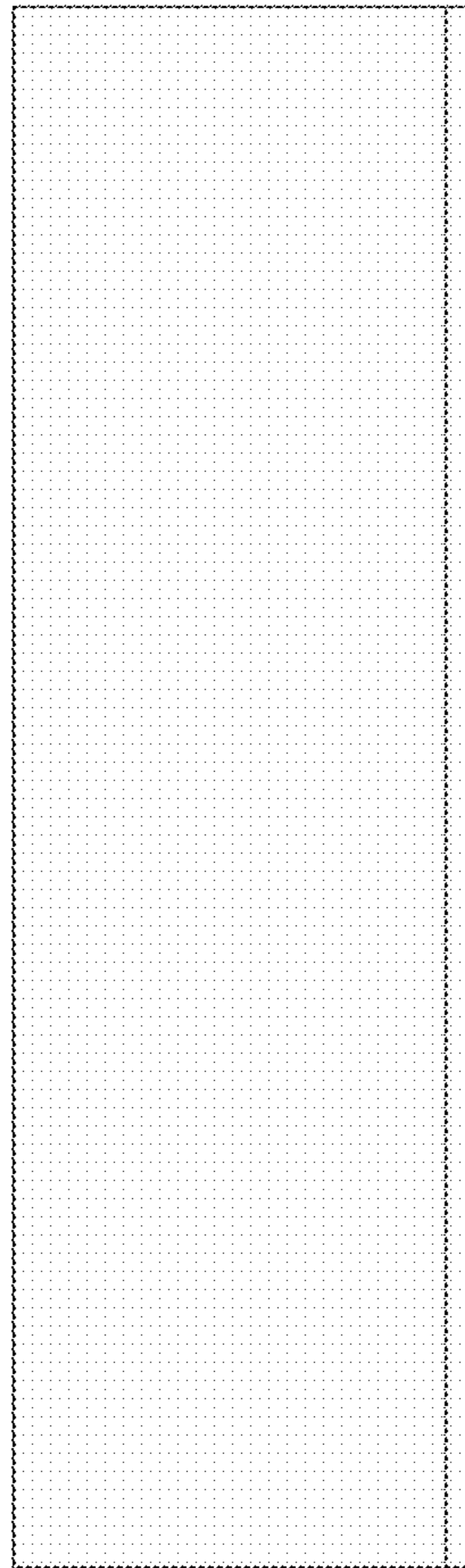


FIG. 6



**FIG. 7**