

US00D834728S

(12) **United States Design Patent** (10) **Patent No.:** **US D834,728 S**
Jackson et al. (45) **Date of Patent:** **** Nov. 27, 2018**

(54) **CHANNEL TRIM**

1/702; E06B 1/705; E06B 1/707; E04D
13/0459; E04D 13/0477; E04D

(71) Applicant: **R. H. Tamlyn & Sons, LP**, Stafford,
TX (US)

(Continued)

(72) Inventors: **Terrance Jackson**, Missouri City, TX
(US); **Wayne Harold Braun**, Houston,
TX (US)

(56) **References Cited**

U.S. PATENT DOCUMENTS

D194,585 S * 2/1963 Waring D25/121
D194,586 S * 2/1963 Waring D25/121

(Continued)

(73) Assignee: **R. H. Tamlyn & Sons, LP**, Stafford,
TX (US)

OTHER PUBLICATIONS

(**) Term: **15 Years**

“Canadian Application Serial No. 174,727, Office Action dated Nov.
9, 2017”, 3 pgs.

(21) Appl. No.: **29/583,889**

(Continued)

(22) Filed: **Nov. 9, 2016**

(51) **LOC (11) Cl.** **25-01**

(52) **U.S. Cl.**

USPC **D25/119**

(58) **Field of Classification Search**

USPC D25/119–126, 131–137, 164, 199, 48.1,
D25/48.3, 60; D8/349, 354, 376, 377,
D8/378, 380, 381, 382; D6/579, 580,
D6/702, 703.1, 705.6, 709.2, 719

CPC ... E04C 3/00; E04C 3/005; E04C 3/02; E04C
3/04; E04C 3/12; E04C 3/20; E04C 3/28;
E04C 3/30; E04F 19/02; E04F 19/022;
E04F 19/026; E04F 19/028; E04F 19/04;
E04F 19/0436; E04F 19/0481; E04F
19/0486; E04F 19/06; E04F 19/061; E04F
13/06; E04F 13/068; E04F 2019/0404;
E04F 2019/0413; E04F 2019/0422; E04F
2019/0454; E06B 1/00; E06B 1/006;
E06B 1/02; E06B 1/04; E06B 1/045;
E06B 1/12; E06B 1/16; E06B 1/34; E06B
1/342; E06B 1/345; E06B 1/347; E06B
1/36; E06B 1/363; E06B 1/366; E06B
1/38; E06B 1/40; E06B 1/52; E06B
1/522; E06B 1/524; E06B 1/526; E06B
1/528; E06B 1/56; E06B 1/60; E06B
1/6092; E06B 1/62; E06B 1/70; E06B

Primary Examiner — Cynthia Ramirez

Assistant Examiner — L. Martinez-Rivera

(74) *Attorney, Agent, or Firm* — Schwegman Lundberg &
Woessner, P.A.

(57) **CLAIM**

The ornamental design for a channel trim, as shown and
described.

DESCRIPTION

FIG. 1 is a first perspective view of the channel trim,
showing the new design,

FIG. 2 is a front view of the channel trim of FIG. 1.

FIG. 3 is a back view of the channel trim of FIG. 1.

FIG. 4 is a first side view of the channel trim of FIG. 1.

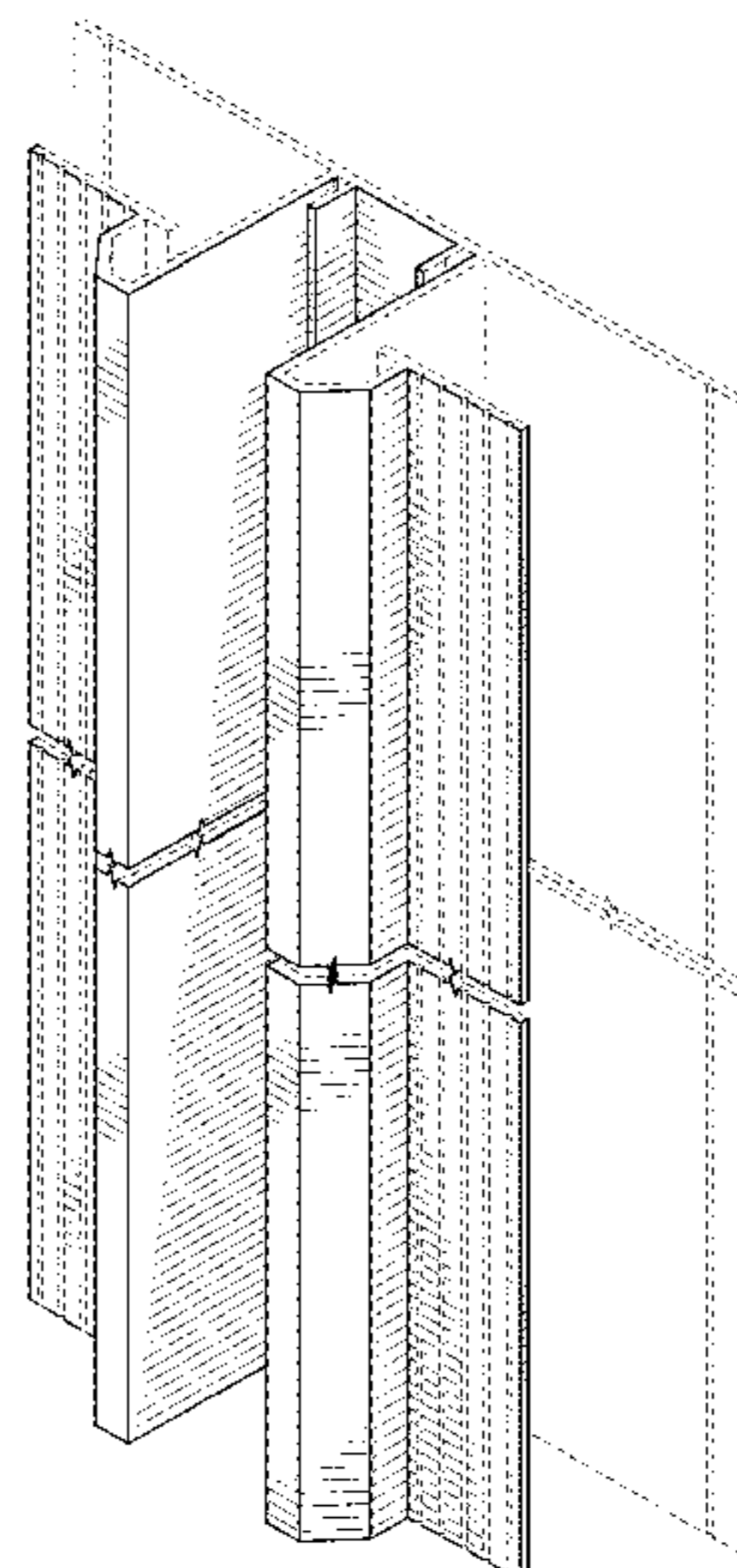
FIG. 5 is a second side view of the channel trim of FIG. 1.

FIG. 6 is a top view of the channel trim of FIG. 1; and,

FIG. 7 is a bottom view of the channel trim of FIG. 1.

The channel trim is shown with symbolic breaks in its
length. The appearance of any portion of the channel trim
between the break lines forms no part of the claimed design.
The broken lines in the drawings depict portions of the
channel trim that form no part of the claimed design.

1 Claim, 5 Drawing Sheets



(58) **Field of Classification Search**

CPC 13/0481; E04D 13/15; E04D 2013/0463;
 E04D 2013/0468; E04D 2013/0472;
 E04D 2013/0486; E04D 2013/049; E04B
 2/00; E04B 2/74; E04B 2/76; E04B
 2/761; E04B 2/762; E04B 2/763; E04B
 2/764; E04B 2/765; E04B 2/7854; E04B
 2/7863; E04B 2/7872; E04B 2/7881;
 E04B 2/789

See application file for complete search history.

(56) **References Cited**

U.S. PATENT DOCUMENTS

3,078,971 A * 2/1963 Walleerstein, Jr. E04B 1/98
 D25/126
 3,228,160 A * 1/1966 O'Brien E04B 2/825
 52/242
 D217,713 S * 6/1970 Miller D25/121
 D270,479 S * 9/1983 Braswell D25/121
 5,090,174 A * 2/1992 Fragale E04F 19/064
 52/287.1
 D360,038 S * 7/1995 Bancroft D25/119
 D363,132 S * 10/1995 Simon D25/119
 5,537,791 A * 7/1996 Champagne E04F 13/0864
 52/716.8
 5,711,117 A * 1/1998 Zaccagni E04D 13/158
 52/518
 5,829,206 A * 11/1998 Bachman E04F 19/064
 52/287.1
 D427,327 S * 6/2000 Bevan D25/121
 D427,694 S * 7/2000 Bevan D25/121

D452,335 S * 12/2001 Brown D25/199
 D452,744 S * 1/2002 Brown D25/199
 D460,197 S * 7/2002 Stringer D25/48.8
 D486,247 S * 2/2004 Eichner D25/119
 D486,921 S * 2/2004 Zyburt D25/119
 7,200,970 B2 * 4/2007 Koenig, Jr. E04F 19/02
 52/255
 D573,267 S * 7/2008 Brinton D25/119
 D573,268 S * 7/2008 Lundsgaard D25/119
 D616,566 S * 5/2010 Desrosiers D25/122
 D620,622 S * 7/2010 Steel D25/164
 D624,212 S * 9/2010 Sawyer D25/136
 8,104,234 B1 * 1/2012 Sawyer E04F 19/064
 52/716.1

D653,771 S * 2/2012 Olmsted D25/58
 D656,603 S * 3/2012 Egan D25/136
 D662,405 S * 6/2012 Zhang D8/380
 D679,419 S * 4/2013 Gori D25/119
 D679,420 S * 4/2013 Nolan D25/125
 D689,199 S * 9/2013 Elizarraras D25/136
 D745,189 S * 12/2015 Stoesser D25/125
 D774,874 S * 12/2016 Wentzel D8/349
 D797,956 S * 9/2017 Shaw D25/136
 2013/0205696 A1 * 8/2013 Little E04F 13/06
 52/716.1
 2017/0306618 A1 * 10/2017 Braun E04F 19/064

OTHER PUBLICATIONS

“Canadian Application Serial No. 174,727, Office Action dated Mar. 9, 2018”, 1 pg.

“Canadian Application Serial No. 174,727, Response filed Jun. 11, 2018 to Office Action dated Mar. 9, 2018”, 6 pgs.

* cited by examiner

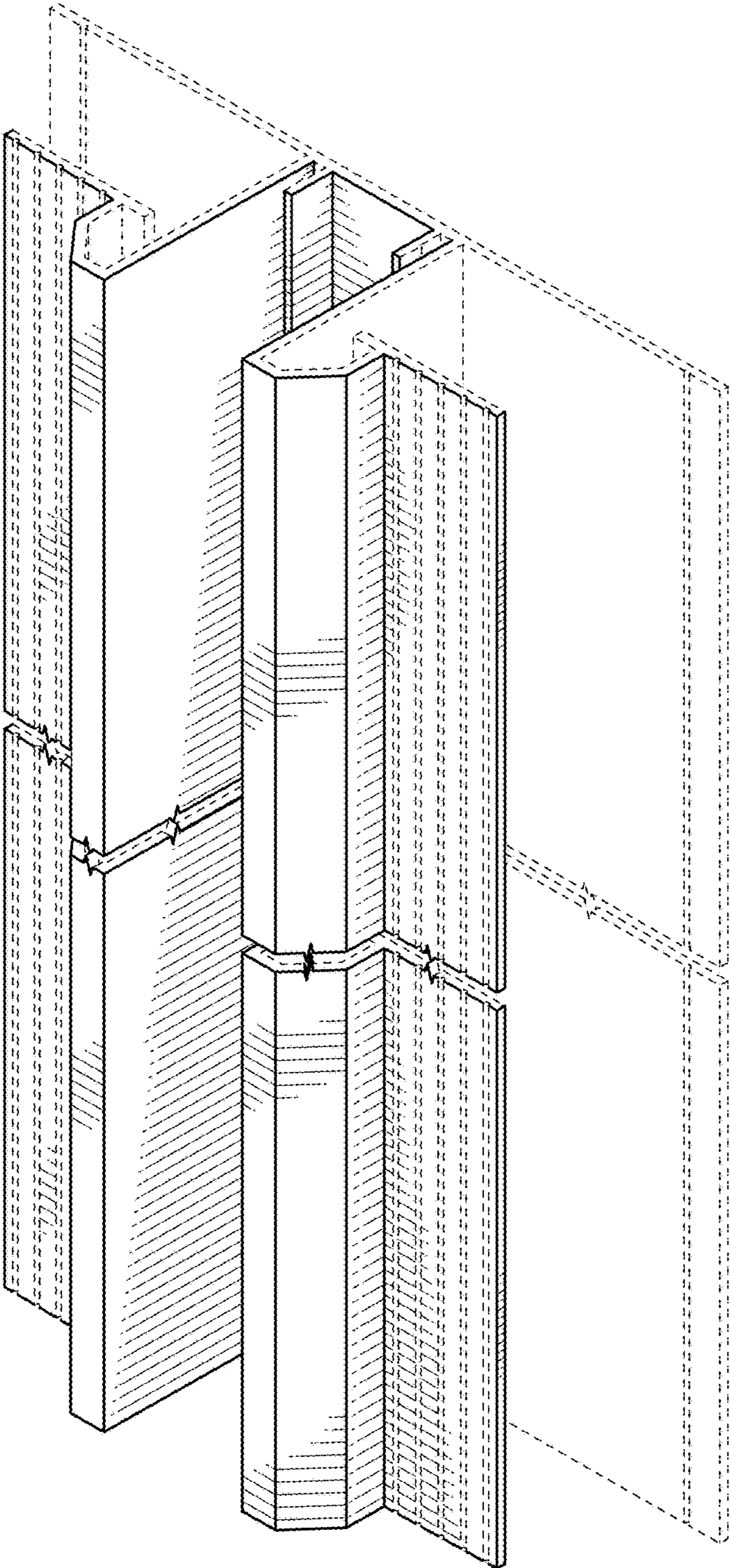


FIG. 1

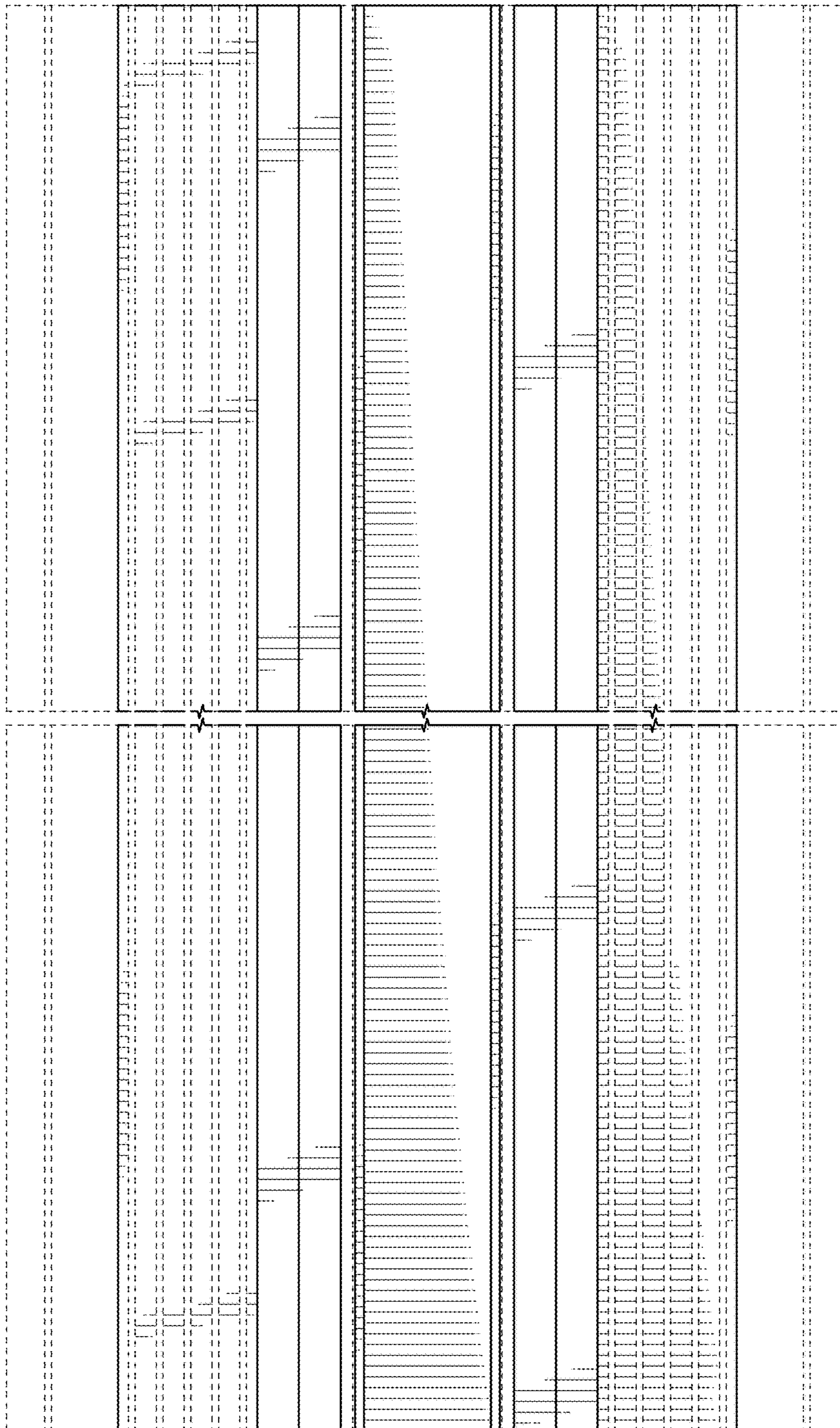


FIG. 2



FIG. 3

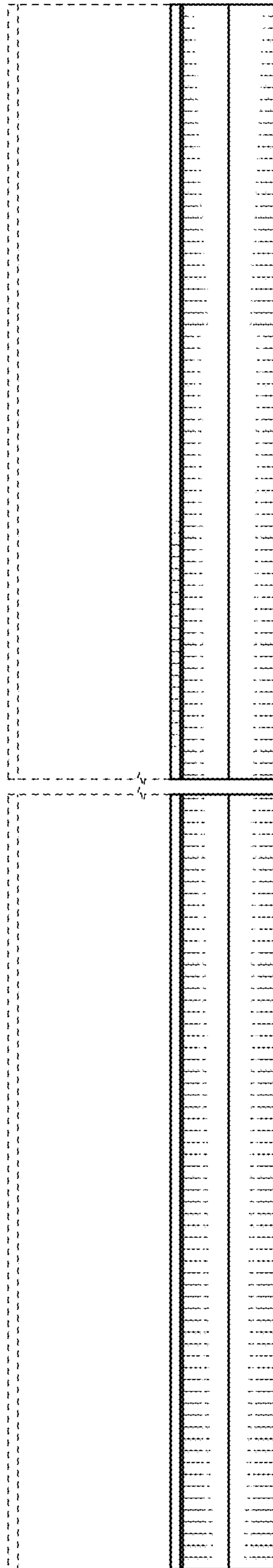


FIG. 4

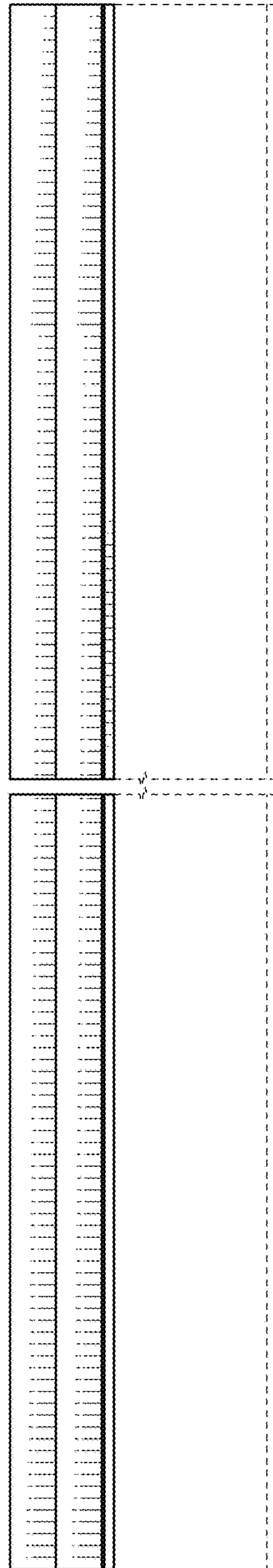


FIG. 5

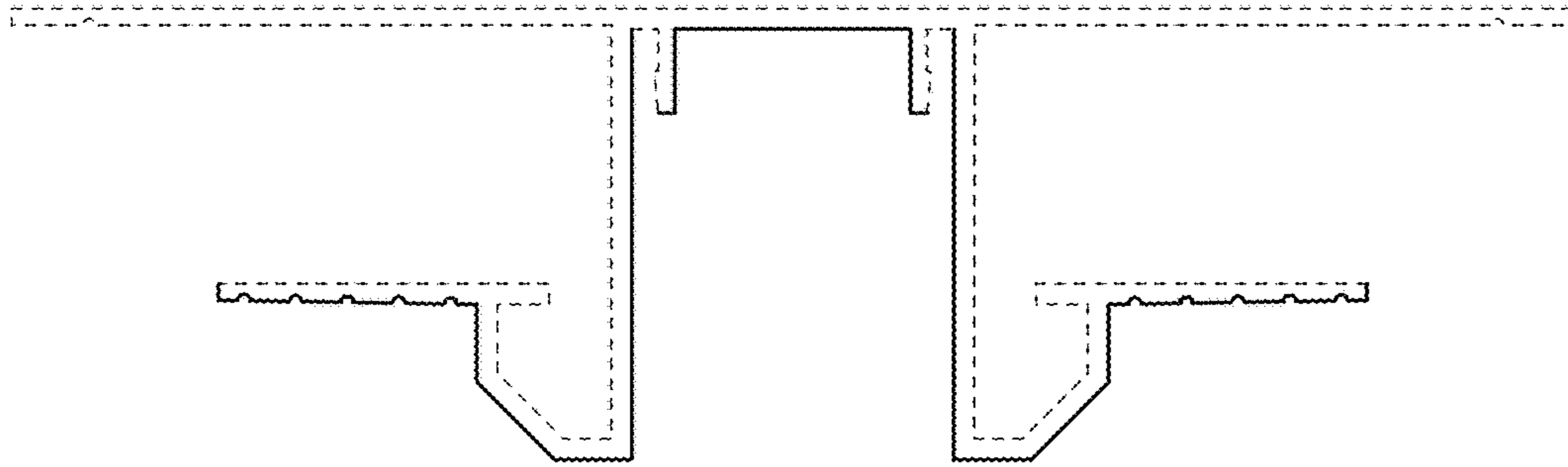


FIG. 6

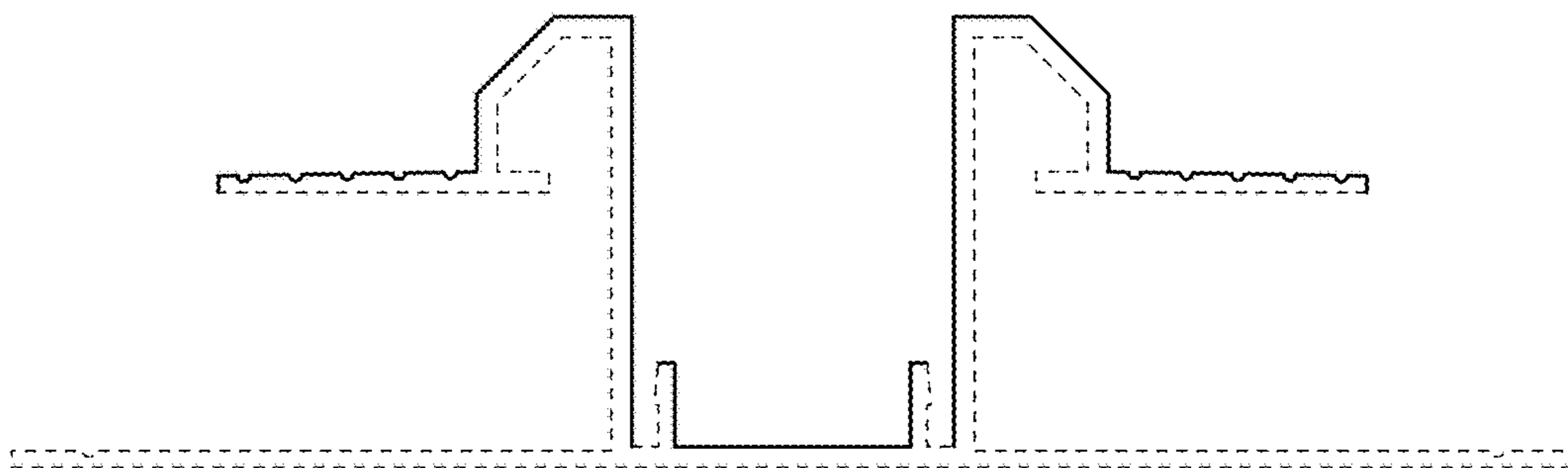


FIG. 7