



US00D834725S

(12) **United States Design Patent**  
**Morrow et al.**

(10) **Patent No.:** **US D834,725 S**

(45) **Date of Patent:** **\*\* Nov. 27, 2018**

(54) **LABORATORY INSTRUMENT HOUSING**

(71) Applicant: **Advanced Analytical Technologies, Inc., Ankeny, IA (US)**

(72) Inventors: **James D. Morrow, Oak Park, IL (US); Michael Stebniski, Ankeny, IA (US)**

(73) Assignee: **Advanced Analytical Technologies, Inc., Ankeny, IA (US)**

(\*\*) Term: **15 Years**

(21) Appl. No.: **29/596,925**

(22) Filed: **Mar. 13, 2017**

(51) **LOC (11) Cl.** ..... **24-01**

(52) **U.S. Cl.**  
USPC ..... **D24/232**

(58) **Field of Classification Search**  
USPC ..... D24/107–108, 128, 144, 158, 164, 172, D24/185–86, 216, 224, 227, 231–234; D13/163; D10/81  
CPC .. A61B 2010/0208; A61B 2017/00796; A61B 50/10; A61B 50/13; A61B 90/17; G01N 27/447; G01N 27/44756; G01N 27/44791  
See application file for complete search history.

(56) **References Cited**

**U.S. PATENT DOCUMENTS**

D389,917 S \* 1/1998 Hornback ..... D24/185  
D462,674 S \* 9/2002 Siepmann ..... D14/183  
D474,279 S \* 5/2003 Mayer ..... D24/231  
D480,143 S \* 9/2003 Kondo ..... D24/158  
D579,013 S \* 10/2008 Kobeli ..... D14/300  
D610,026 S \* 2/2010 Buber ..... D10/52  
D689,621 S \* 9/2013 Morrow et al.  
D693,938 S \* 11/2013 Matoba ..... D24/216

D776,825 S \* 1/2017 Patil ..... D24/232  
2013/0292250 A1 \* 11/2013 Boeke ..... G01N 27/44743  
204/601  
2018/0038827 A1 \* 2/2018 Ver Meer ..... G01N 27/44713

**OTHER PUBLICATIONS**

Oligo Pro II, posted at www.aati-us.com, no posting dated given, online, site visited Feb. 28, 2018, URL: https://www.aati-us.com/instruments/oligo-pro-ii/ (Year: 2018).\*

\* cited by examiner

*Primary Examiner* — Anhdao Doan

*Assistant Examiner* — Mary Shannon Malley

(74) *Attorney, Agent, or Firm* — McKee, Voorhees & Sease, PLC

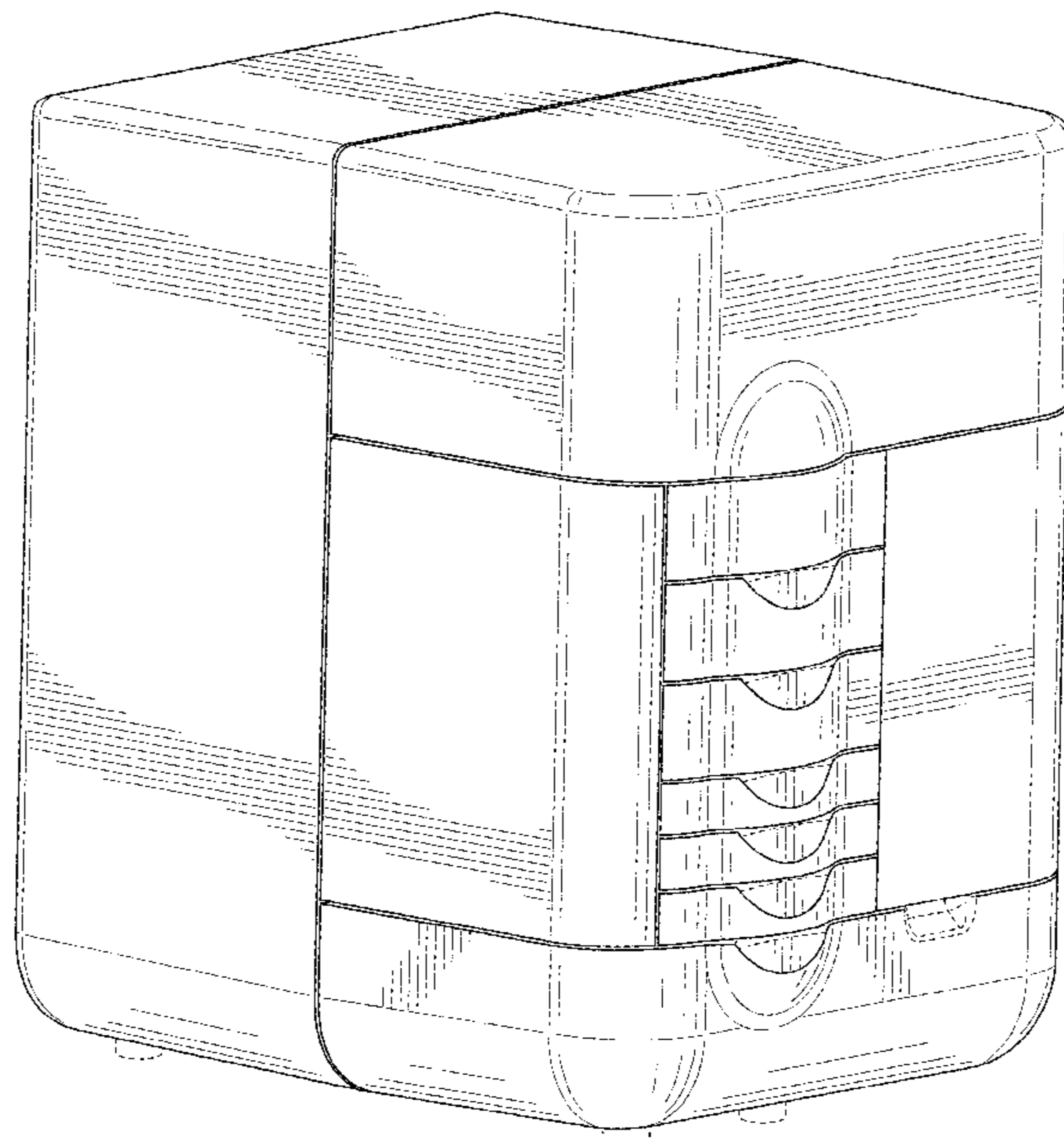
(57) **CLAIM**

We claim the ornamental design for a laboratory instrument housing, as shown and described.

**DESCRIPTION**

FIG. 1 is a left-front perspective view.  
FIG. 2 is a right-front perspective view.  
FIG. 3 is a front view.  
FIG. 4 is a back view.  
FIG. 5 is a left side view  
FIG. 6 is a right side view.  
FIG. 7 is a bottom view.  
FIG. 8 is a right perspective view with a drawer open.  
FIG. 9 is a left perspective view with the door open; and, FIG. 10 is a top view.  
Broken lines show portions of the laboratory instrument housing that form no part of the claimed design. Broken lines immediately adjacent to the shaded area represent the boundaries of the claimed design.

**1 Claim, 10 Drawing Sheets**



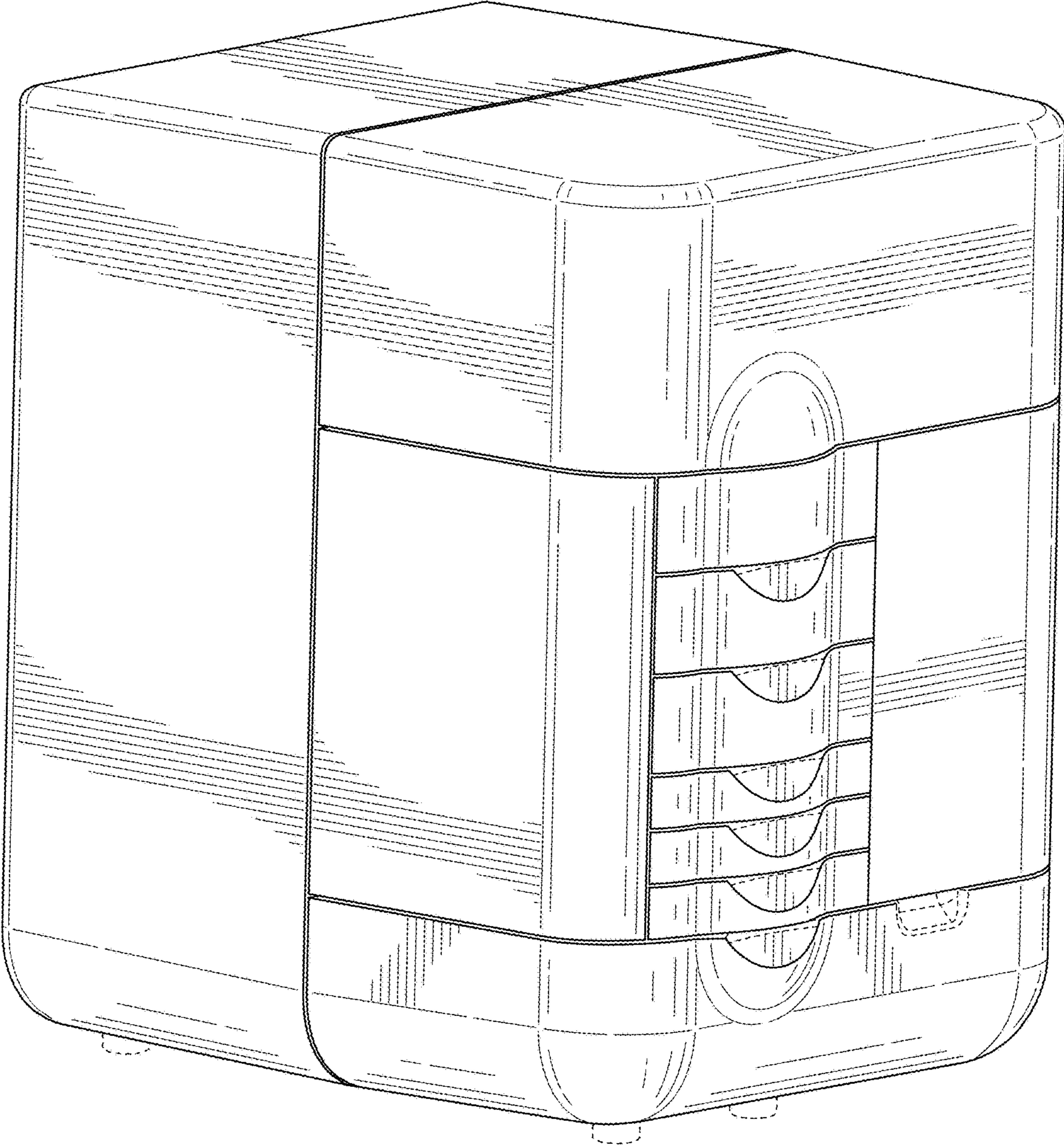


FIG. 1

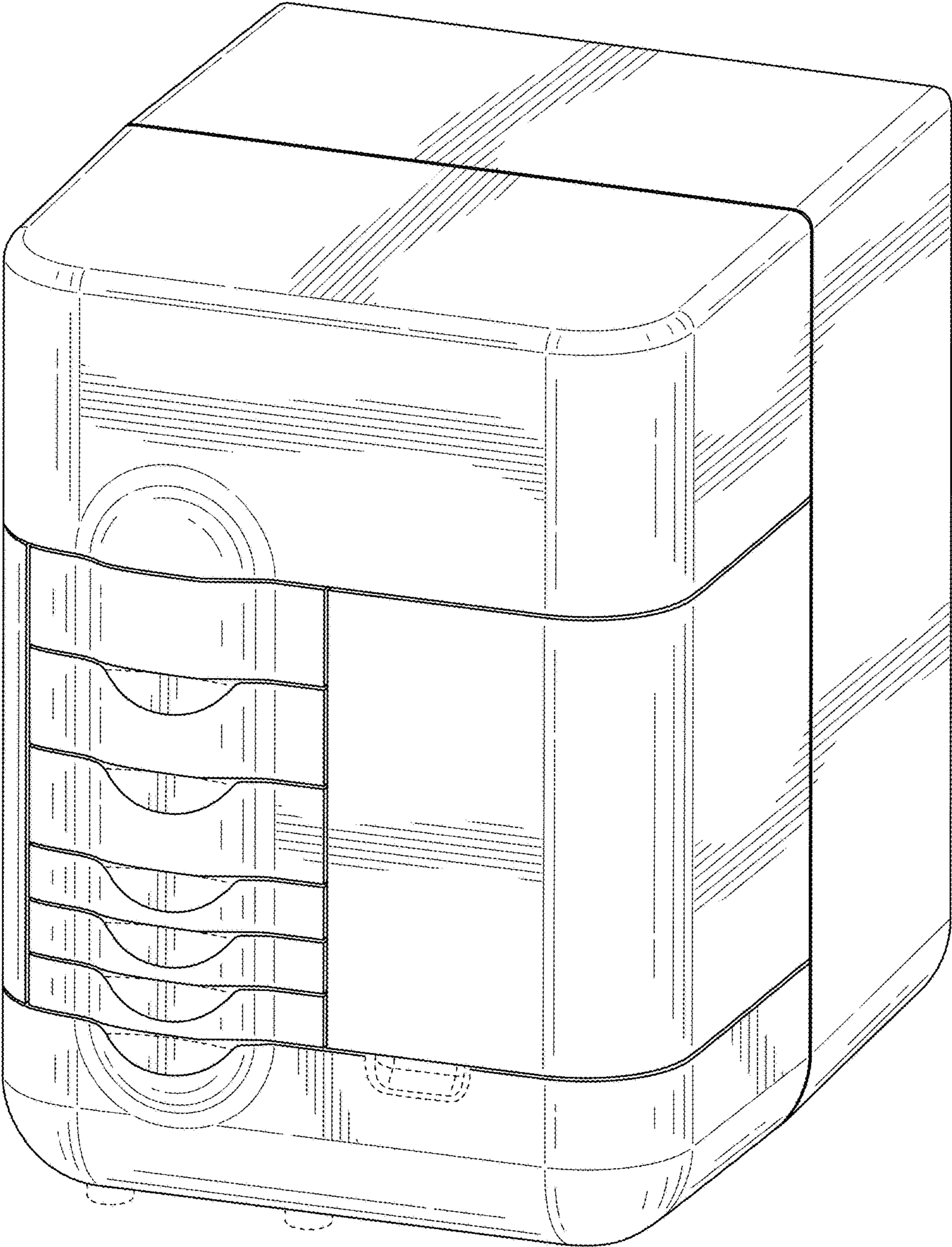


FIG. 2

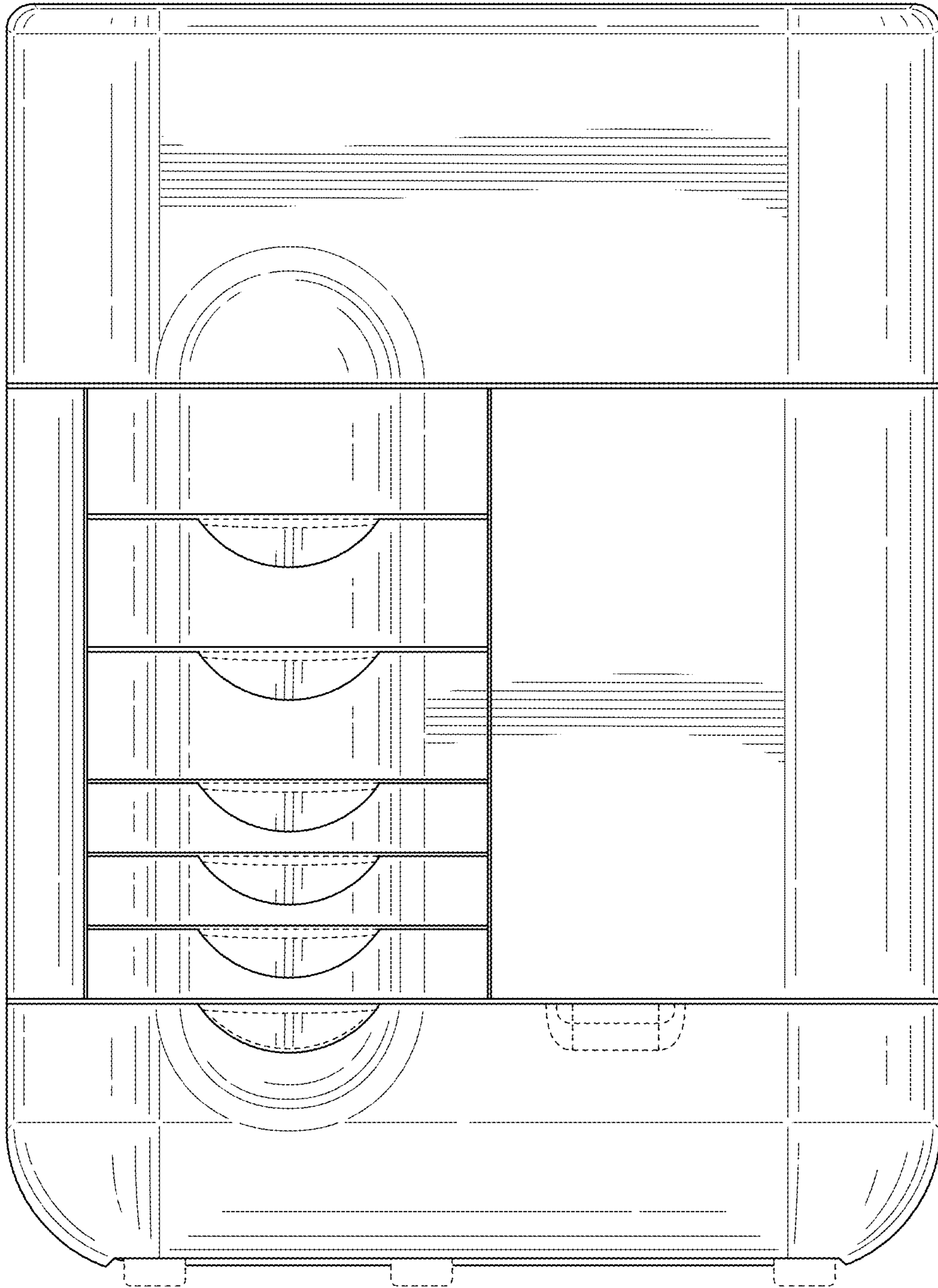


FIG. 3

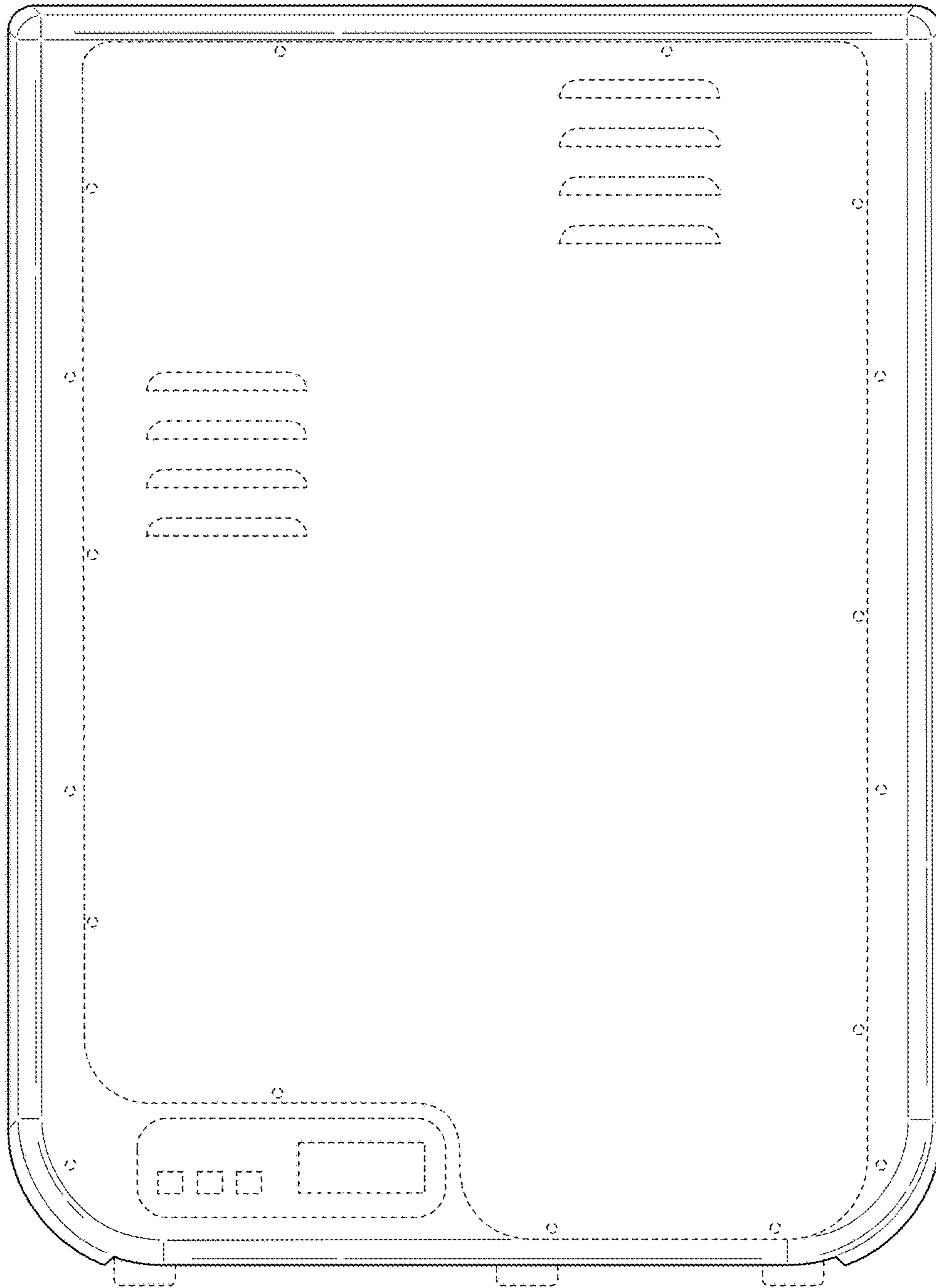


FIG. 4

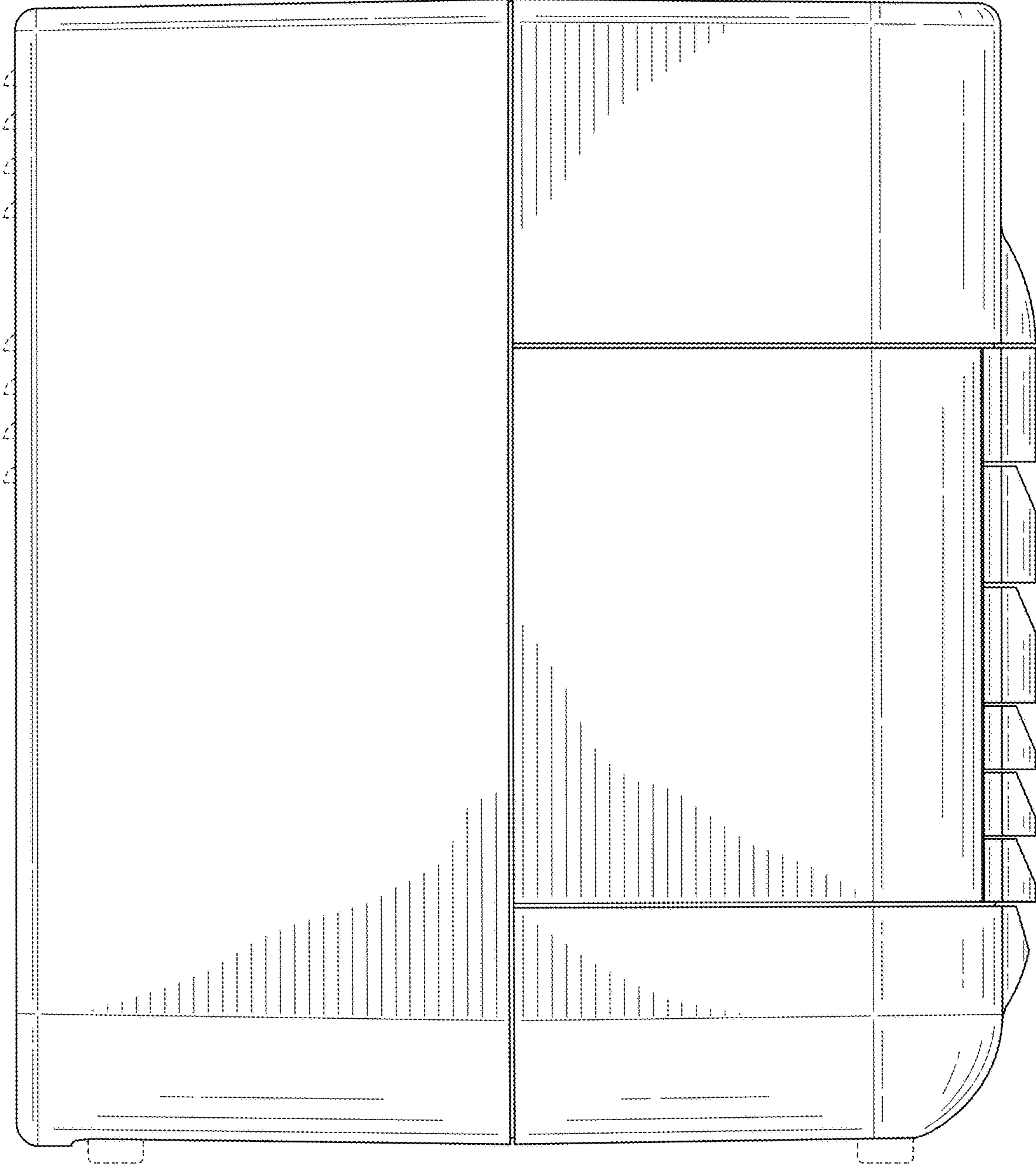


FIG. 5

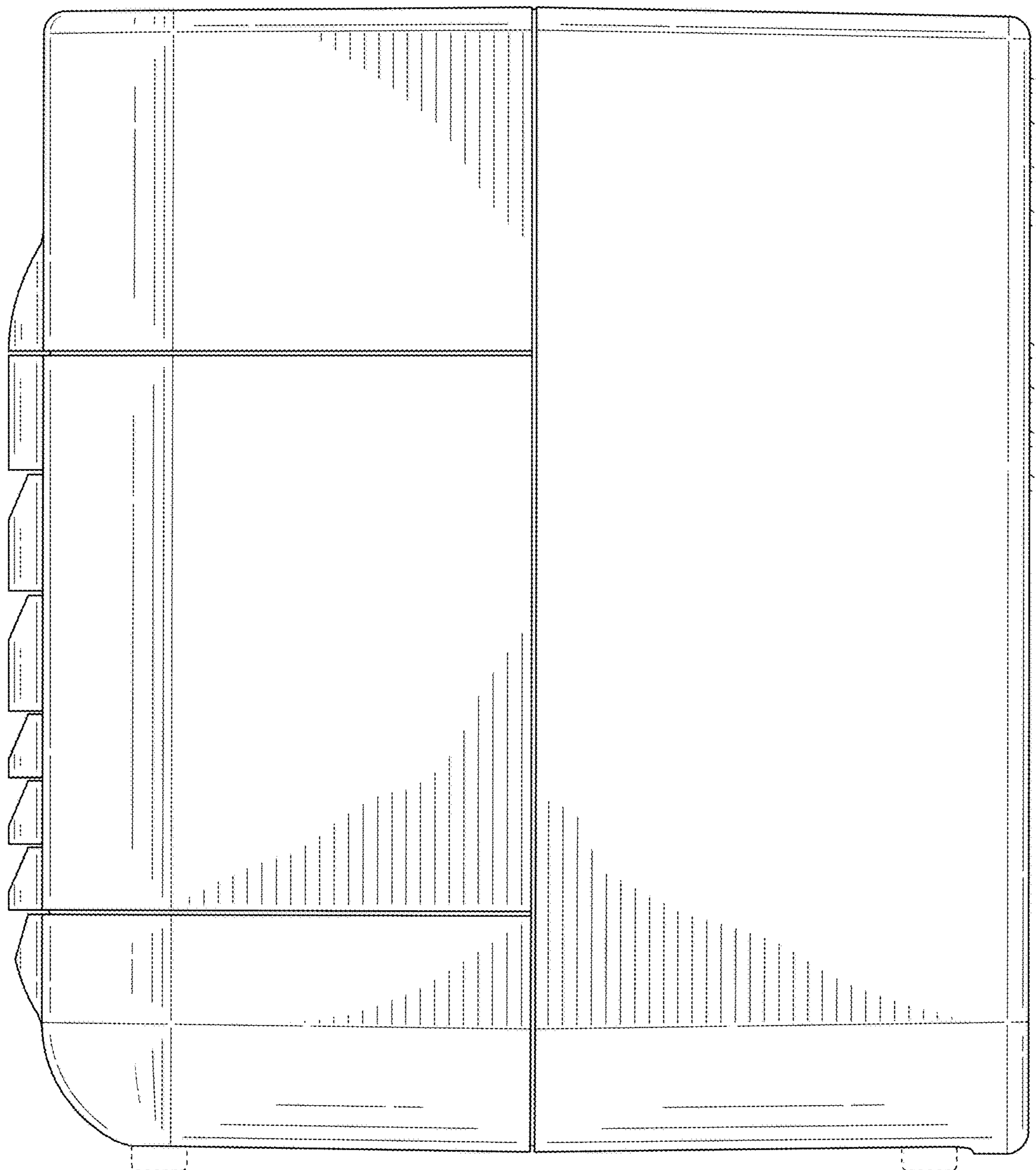


FIG. 6

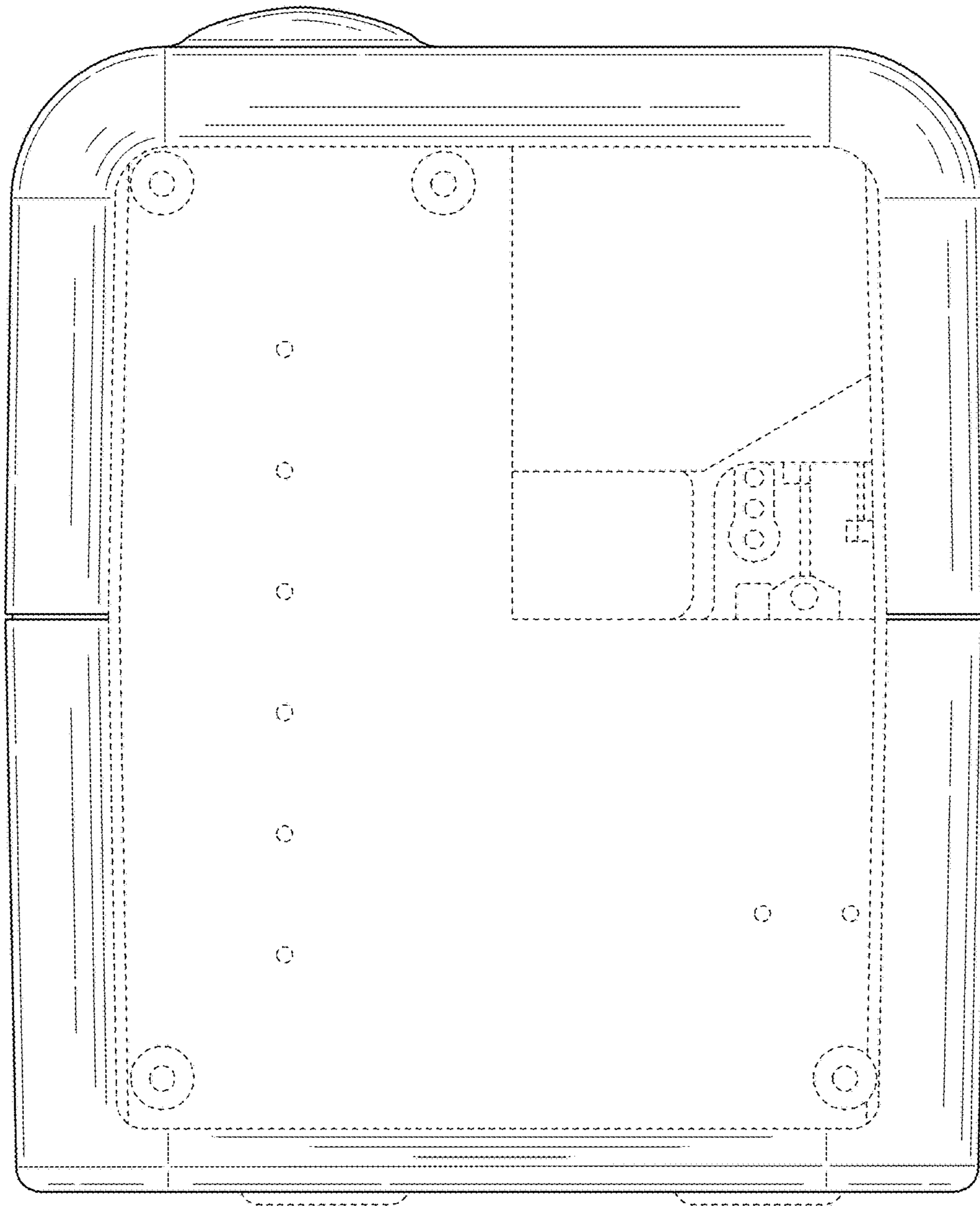


FIG. 7



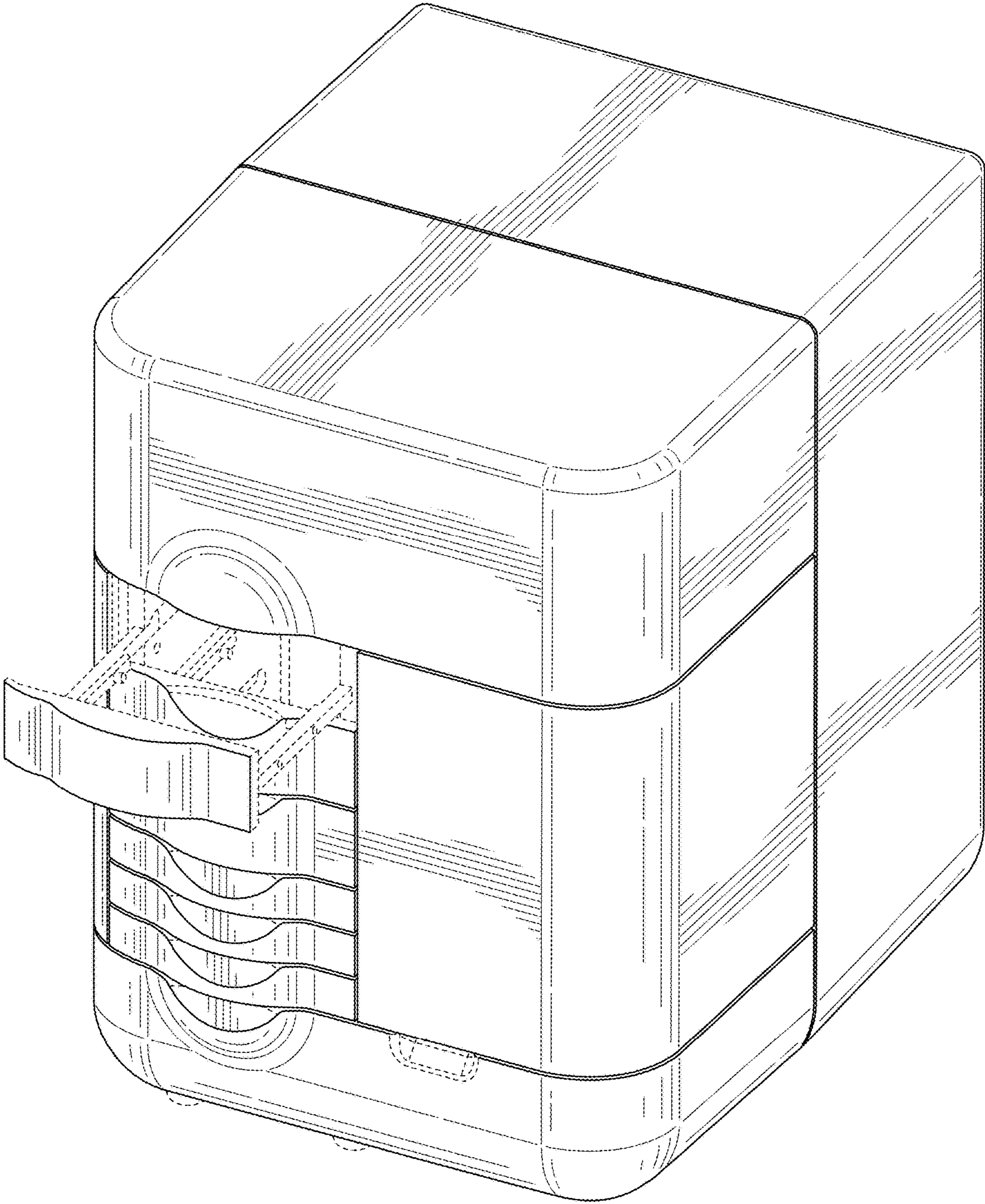


FIG. 8

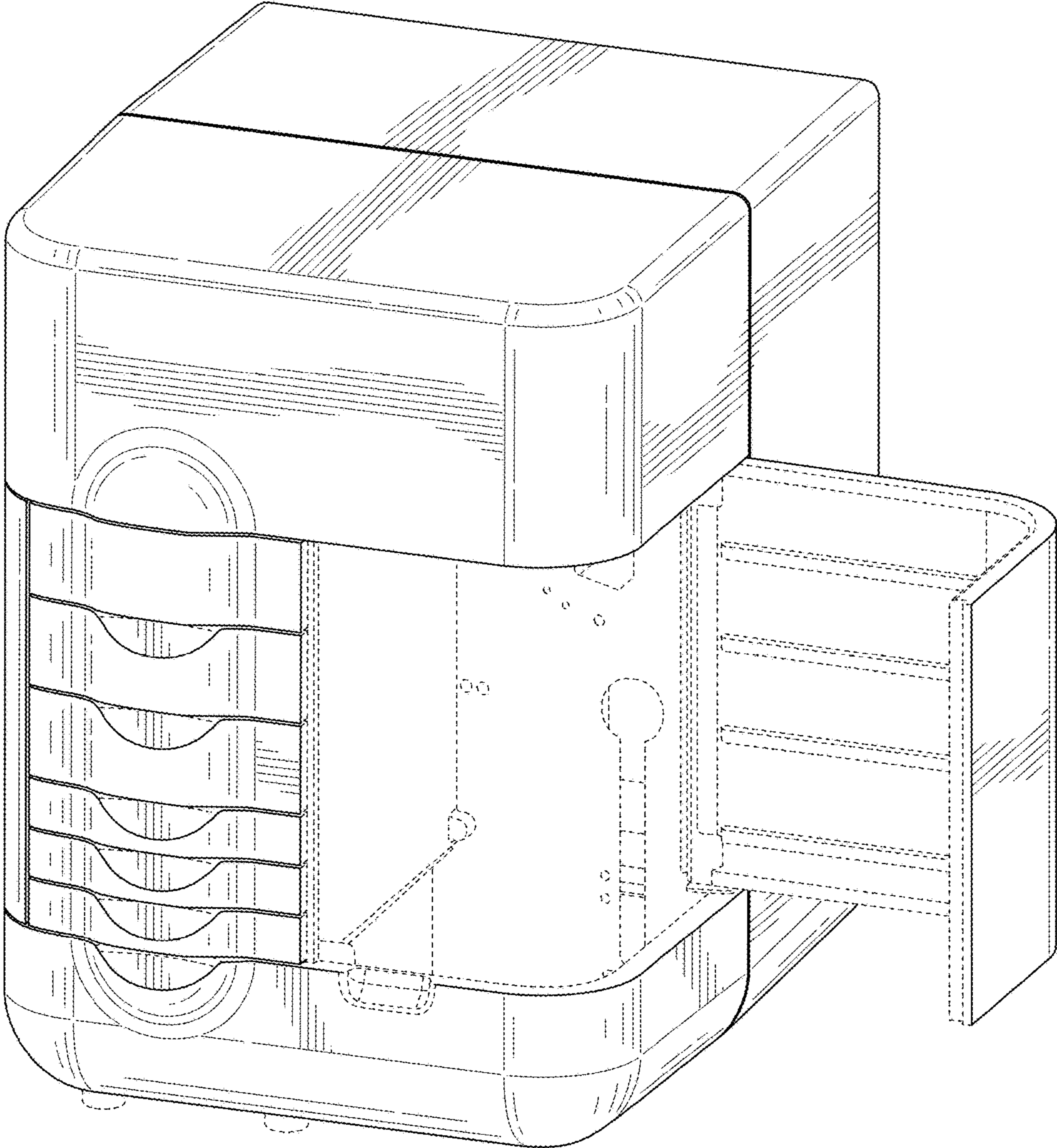


FIG. 9

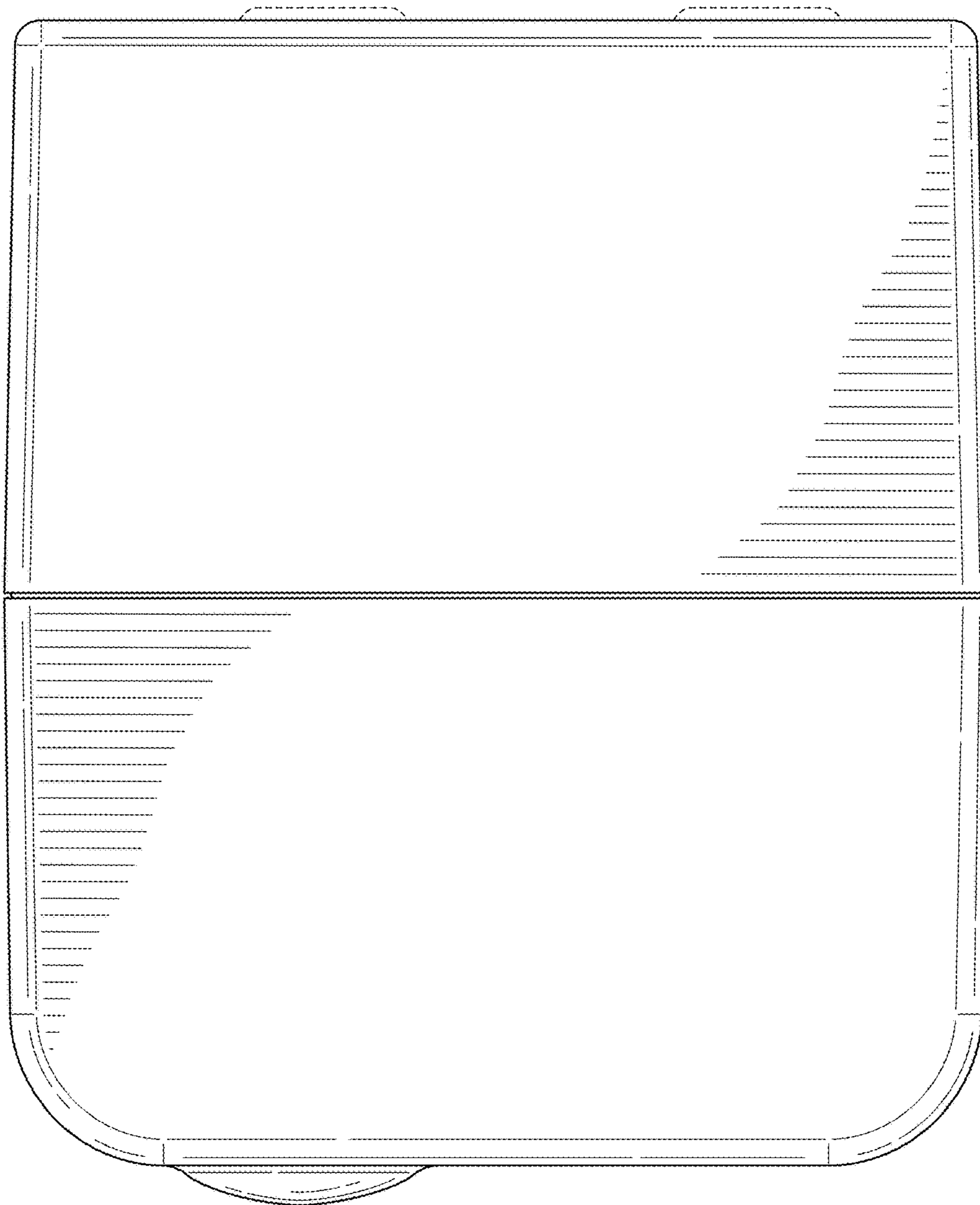


FIG. 10