



US00D834724S

(12) **United States Design Patent**
Mathers

(10) **Patent No.:** **US D834,724 S**

(45) **Date of Patent:** **** Nov. 27, 2018**

(54) **ILLUMINATION AND IMAGING INSTRUMENT**
(71) Applicant: **LIFE TECHNOLOGIES CORPORATION**, Carlsbad, CA (US)
(72) Inventor: **Xin Mathers**, Poway, CA (US)
(73) Assignee: **LIFE TECHNOLOGIES CORPORATION**, Carlsbad, CA (US)

D693,469 S * 11/2013 Chung D24/169
D717,968 S * 11/2014 Klein D24/232
D731,673 S * 6/2015 Klein D24/232
D733,917 S * 7/2015 Klein D24/232
D775,365 S * 12/2016 Mathers D24/232
2015/0253345 A1* 9/2015 Lee G01N 35/00029
436/162
2016/0228876 A1* 8/2016 Chu G01N 21/6486
2017/0072398 A1* 3/2017 Boo B01L 7/52

* cited by examiner

Primary Examiner — Anhdao Doan

(**) Term: **15 Years**

(21) Appl. No.: **29/581,075**

(57) **CLAIM**

The ornamental design for an illumination and imaging instrument, as shown and described.

(22) Filed: **Oct. 14, 2016**

(51) **LOC (11) Cl.** **24-01**

(52) **U.S. Cl.**
USPC **D24/232**

DESCRIPTION

(58) **Field of Classification Search**
USPC D24/107, 169, 185, 186, 216–219,
D24/231–234; D10/81
CPC G01N 21/0483; G01N 21/0303; G01N
35/00029; G01N 35/00019; G01N
2035/00326; G01N 21/6428; G01N
21/6486; G01N 2201/061
See application file for complete search history.

FIG. 1 is a front perspective view of an illumination and imaging instrument showing our new design;
FIG. 2 is a front view thereof;
FIG. 3 is a rear view thereof;
FIG. 4 is a right side view thereof;
FIG. 5 is a left side view thereof;
FIG. 6 is a top view thereof; and,
FIG. 7 is a bottom view thereof.

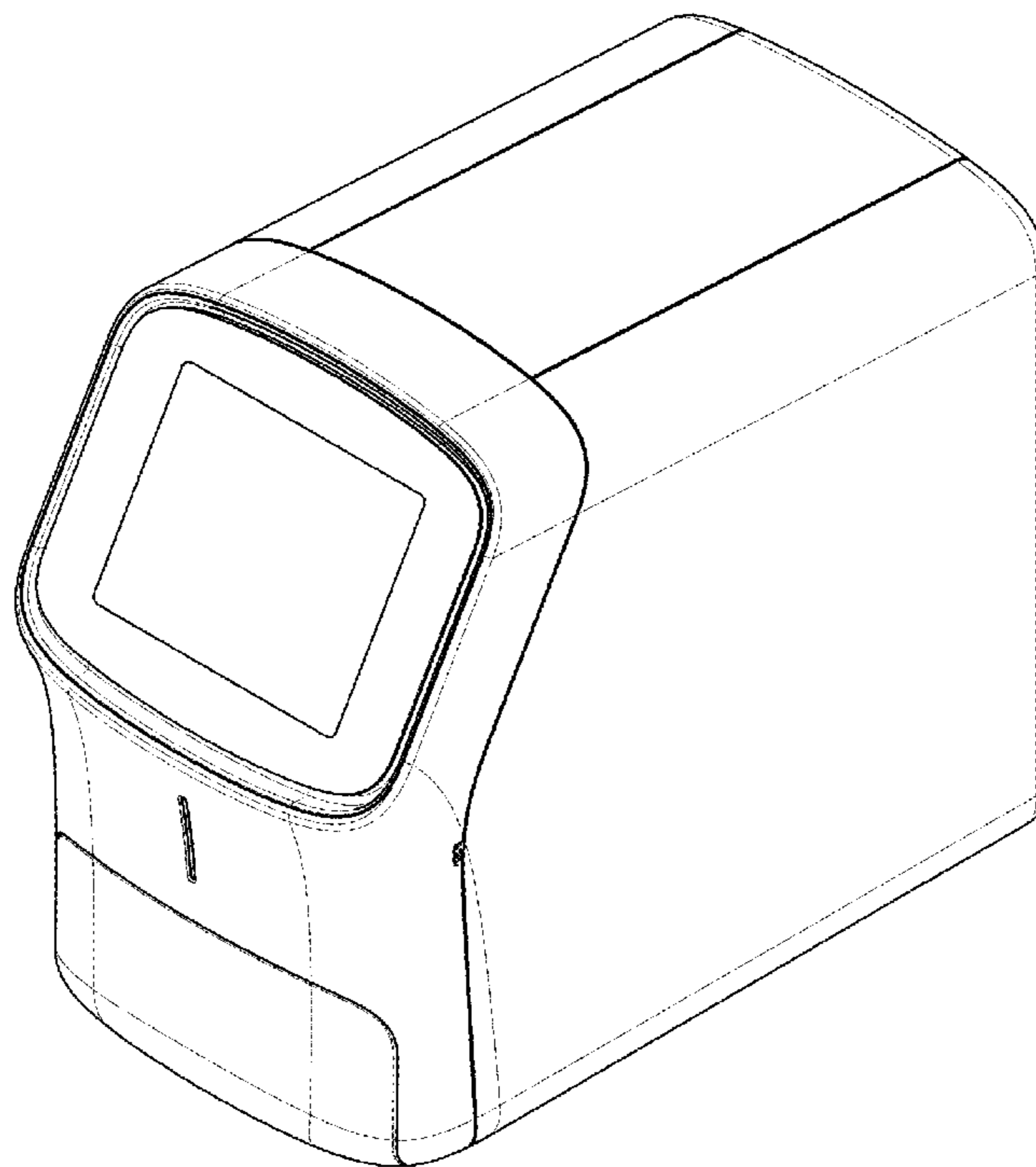
The broken lines are for the purpose of illustrating portions of the illumination and imaging instrument that form no part of the claimed design; the broken lines form no part of the claimed design.

(56) **References Cited**

U.S. PATENT DOCUMENTS

D556,914 S * 12/2007 Okamoto D24/233
D688,804 S * 8/2013 Kim D24/216

1 Claim, 7 Drawing Sheets



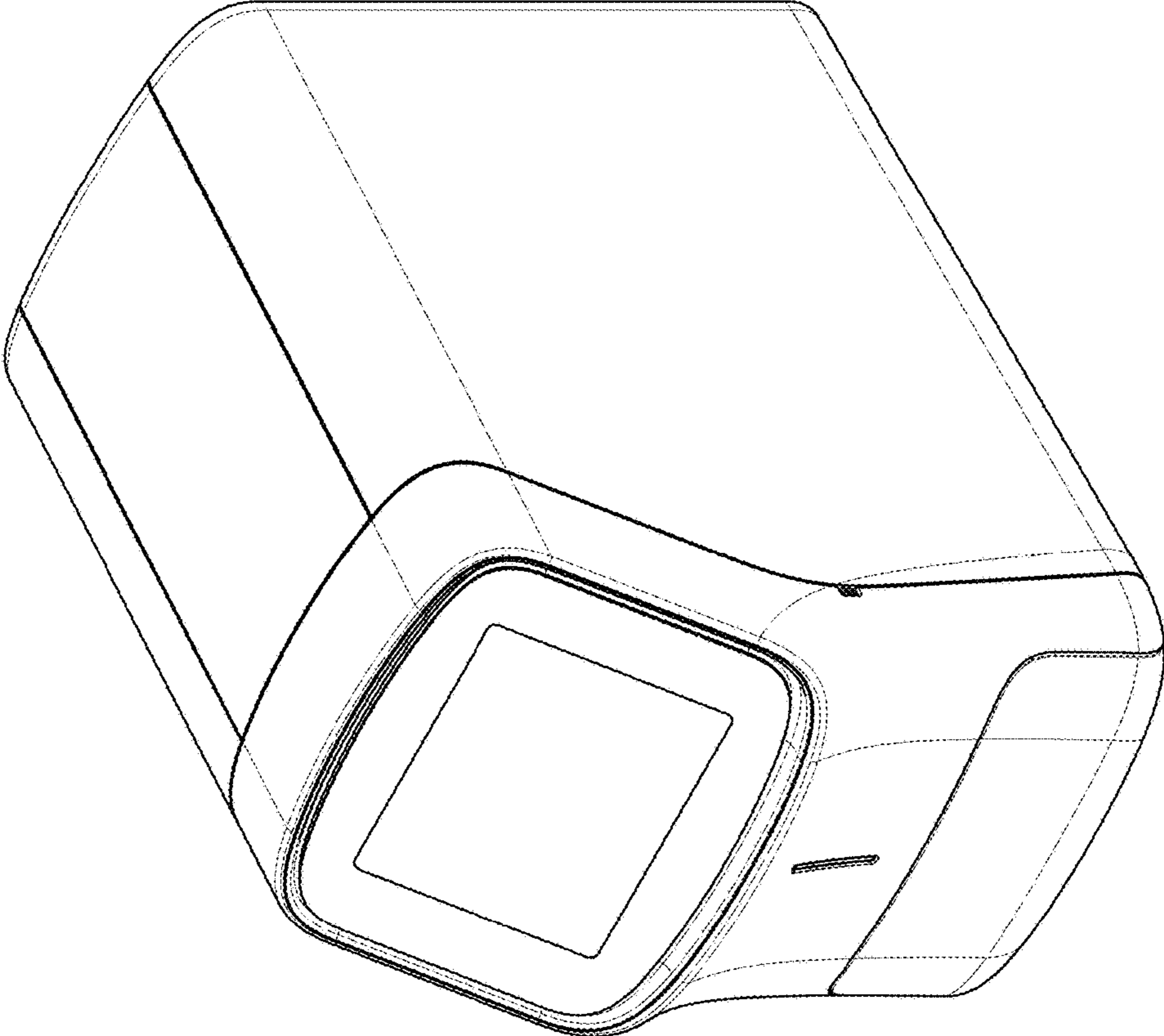


FIG. 1

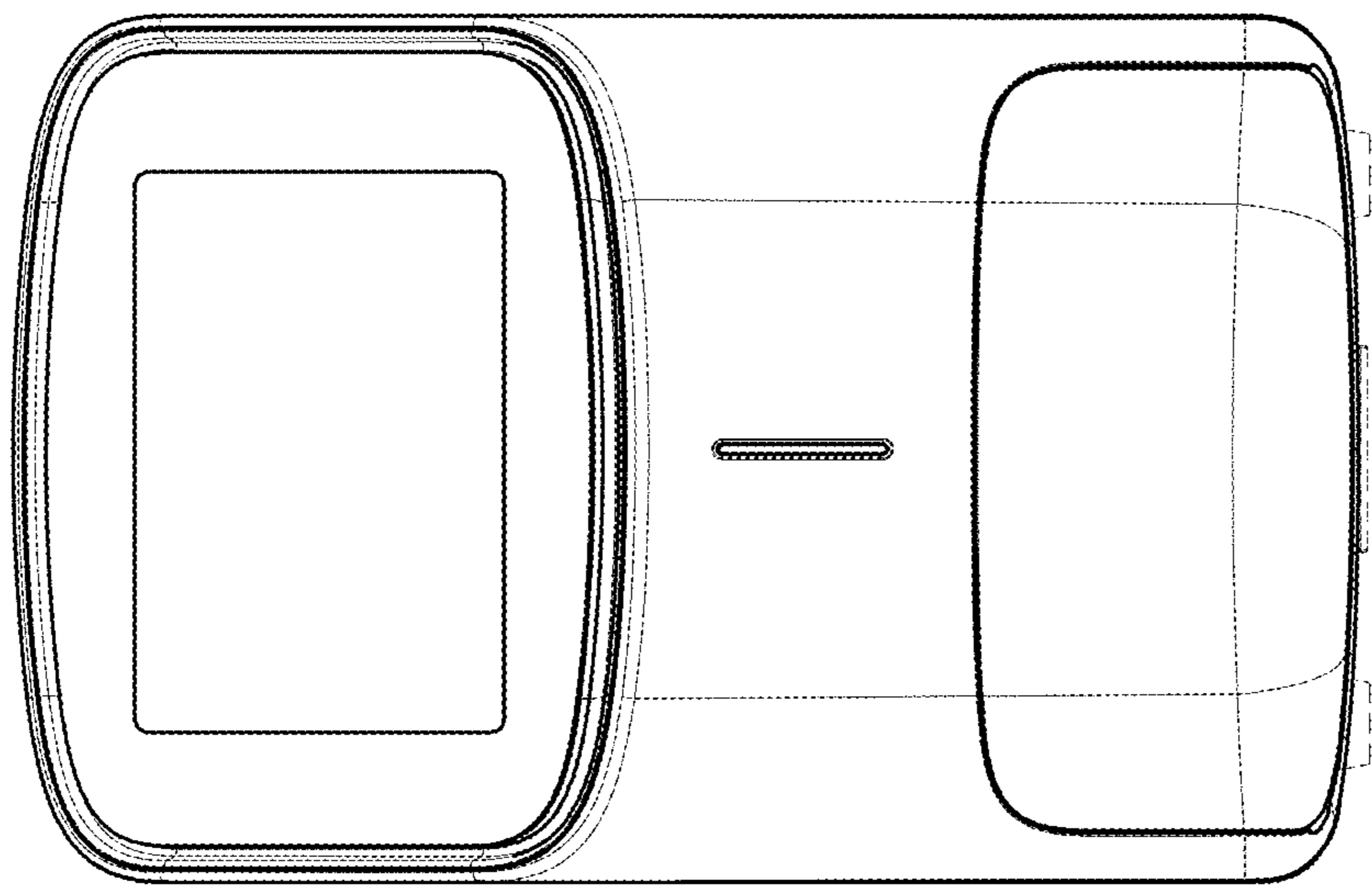


FIG. 2

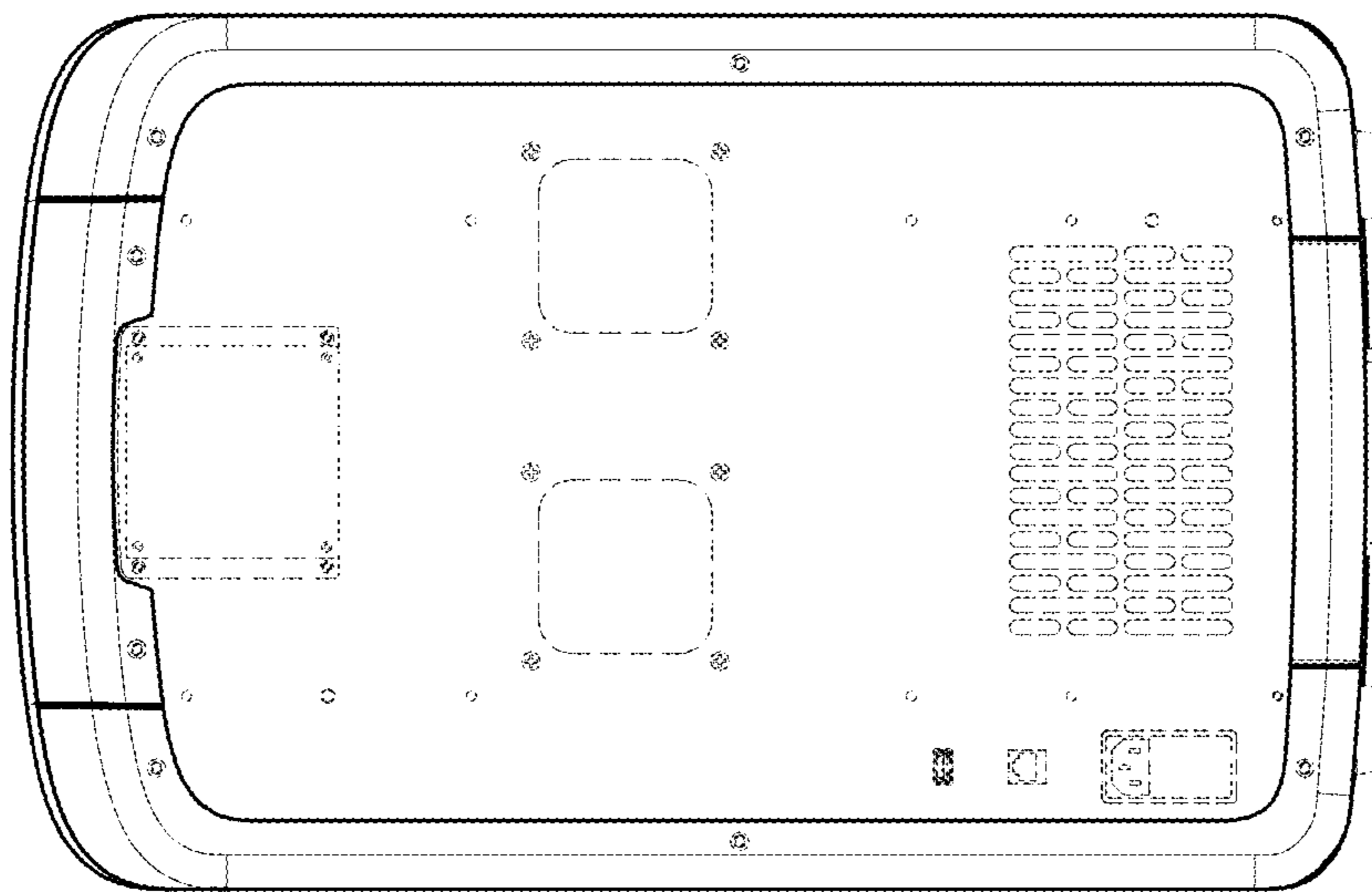


FIG. 3

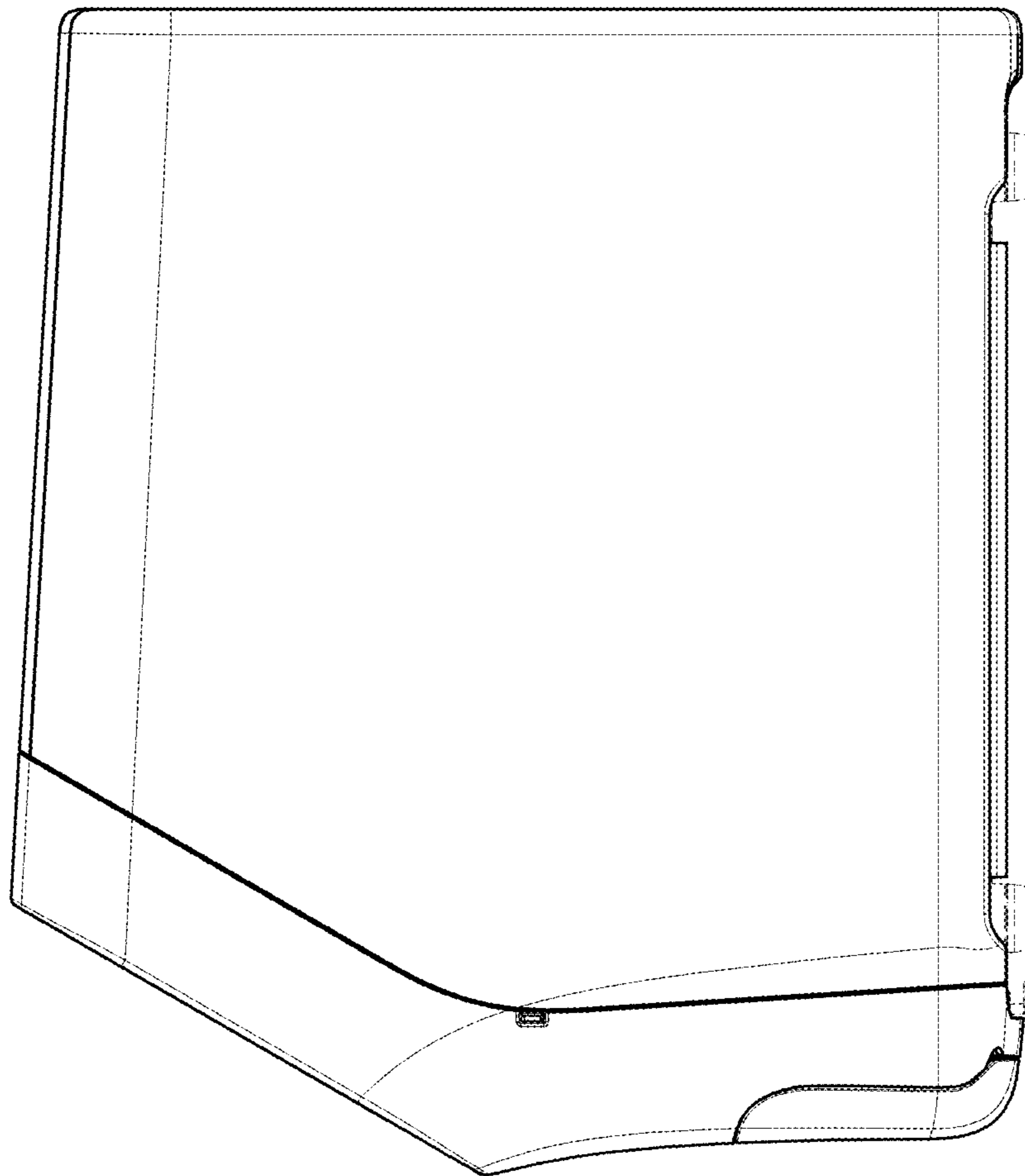


FIG. 4

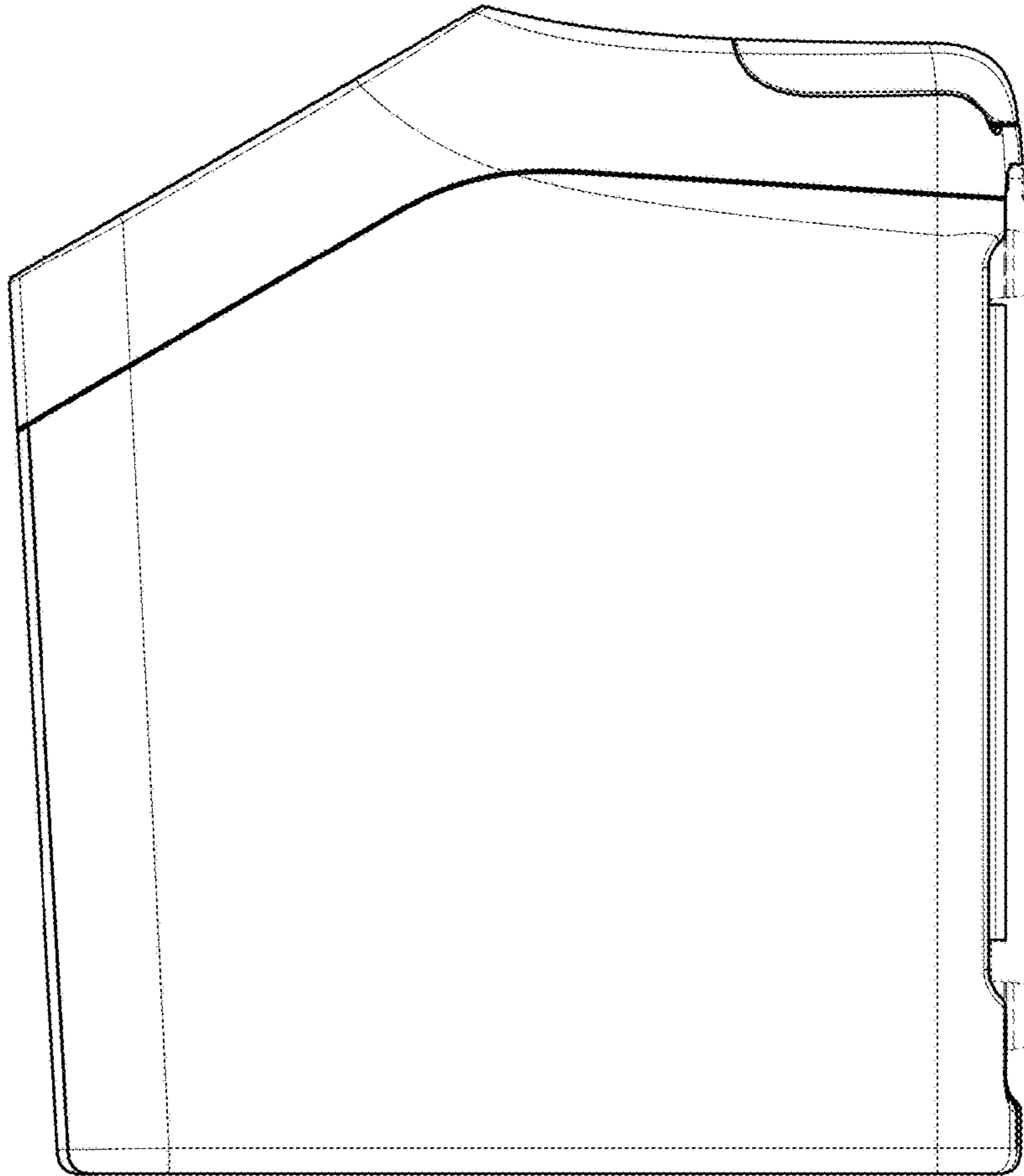


FIG. 5

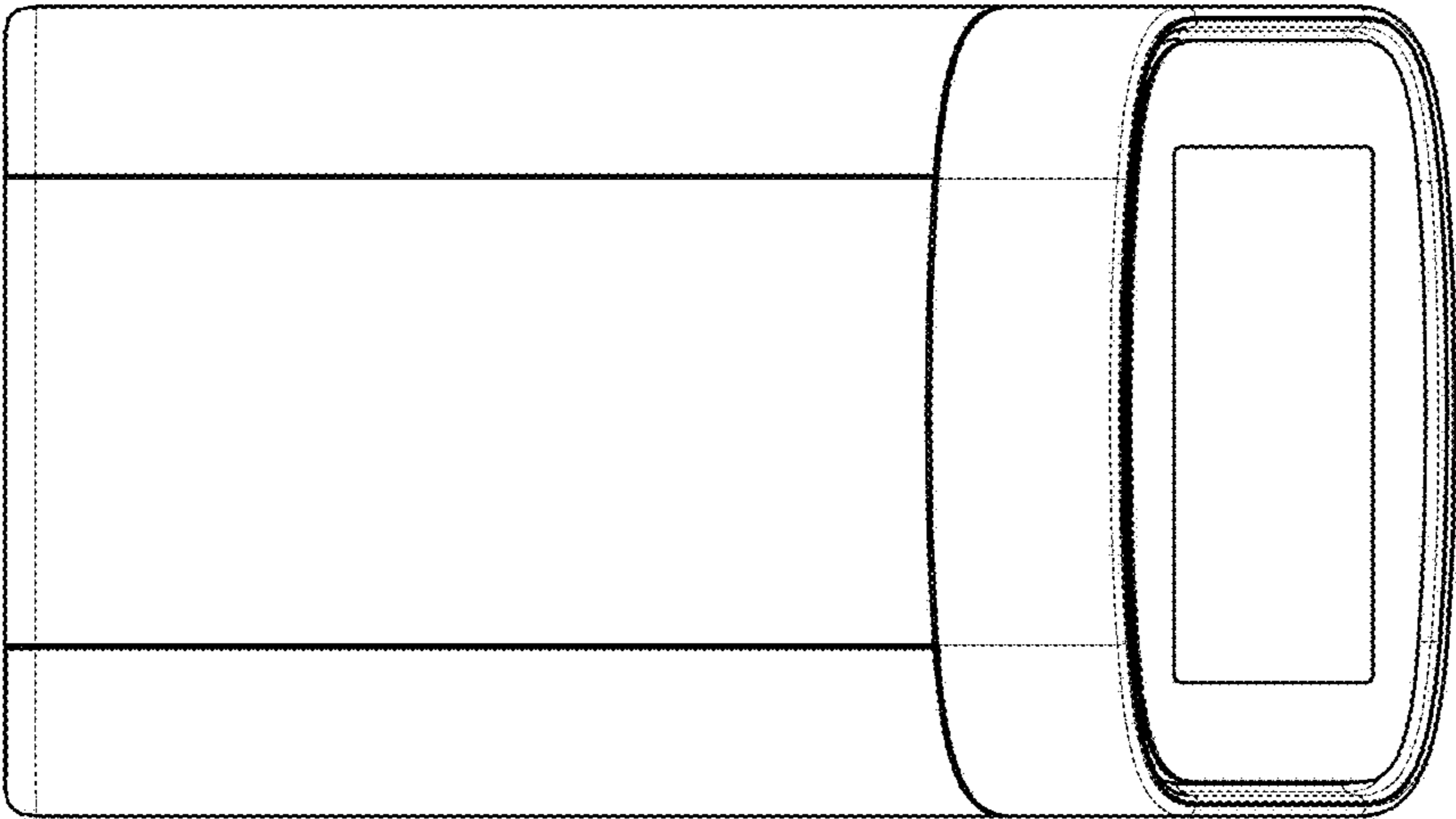


FIG. 6

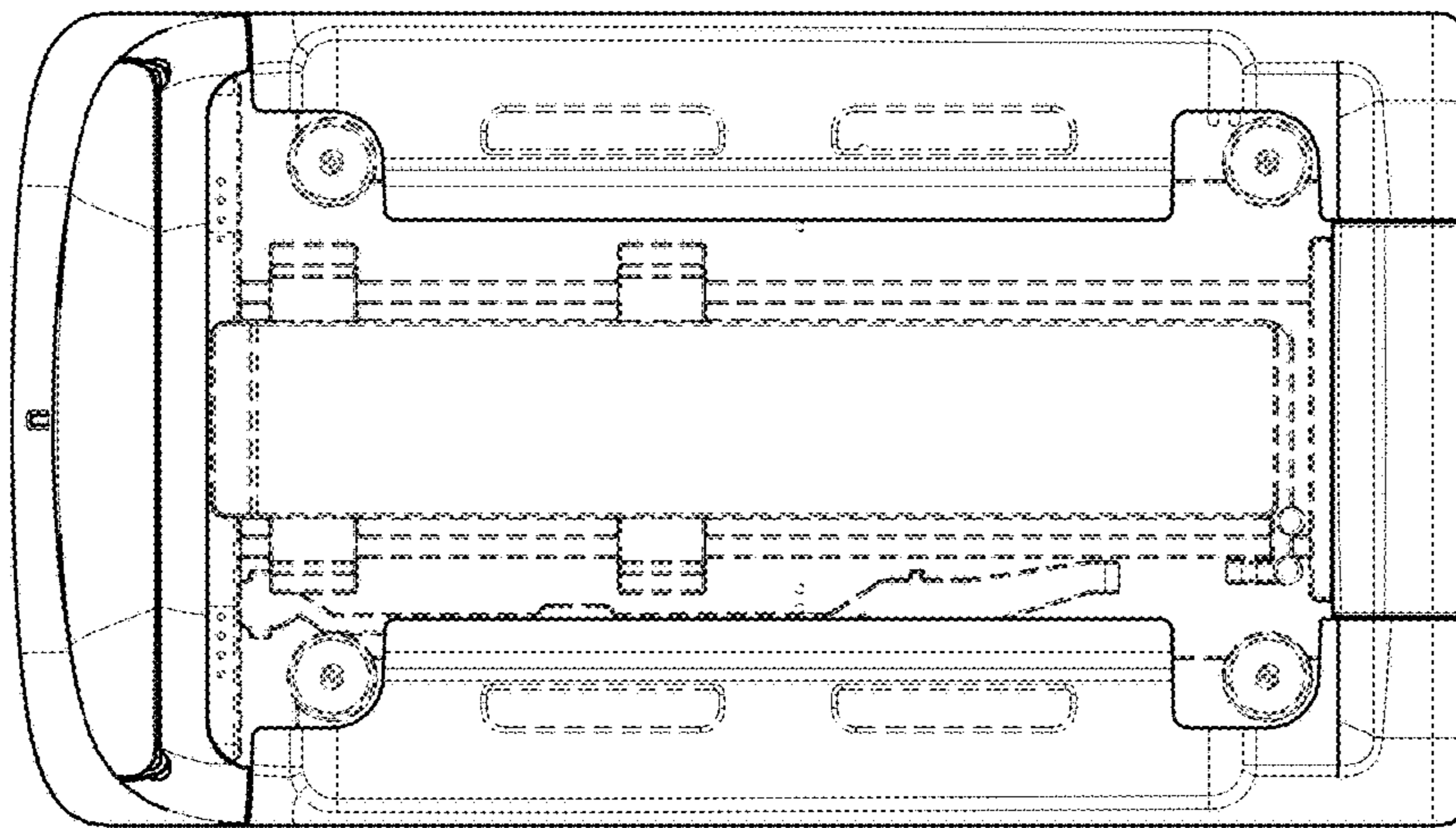


FIG. 7