



US00D834723S

(12) **United States Design Patent**
Lianides et al.

(10) **Patent No.:** **US D834,723 S**
(45) **Date of Patent:** **** Nov. 27, 2018**

(54) **WELL PLATE CASSETTE**

DESCRIPTION

- (71) Applicants: **Alexander Lee Lianides**, Aliso Viejo, CA (US); **Christopher Lee Lianides**, Aliso Viejo, CA (US)
- (72) Inventors: **Alexander Lee Lianides**, Aliso Viejo, CA (US); **Christopher Lee Lianides**, Aliso Viejo, CA (US)
- (**) Term: **15 Years**
- (21) Appl. No.: **29/580,776**
- (22) Filed: **Oct. 12, 2016**
- (51) **LOC (11) Cl.** **24-01**
- (52) **U.S. Cl.**
USPC **D24/230; D24/224**
- (58) **Field of Classification Search**
USPC **D24/107, 216, 224-232**
(Continued)

(56) **References Cited**

U.S. PATENT DOCUMENTS

- 4,146,365 A * 3/1979 Kay G01N 33/58
422/402
- D264,810 S * 6/1982 Voltmann D24/226
(Continued)

OTHER PUBLICATIONS

Demetrescu, Anthony, et al., First FRC 3476 Worm Washer Research Robot Project, <http://teamcodeorange.com/uci.php>, Nov. 2, 2015, 9 pages, Code Orange Robotics, Inc., Irvine.

Primary Examiner — Anhdao Doan
Assistant Examiner — Mary Shannon Malley

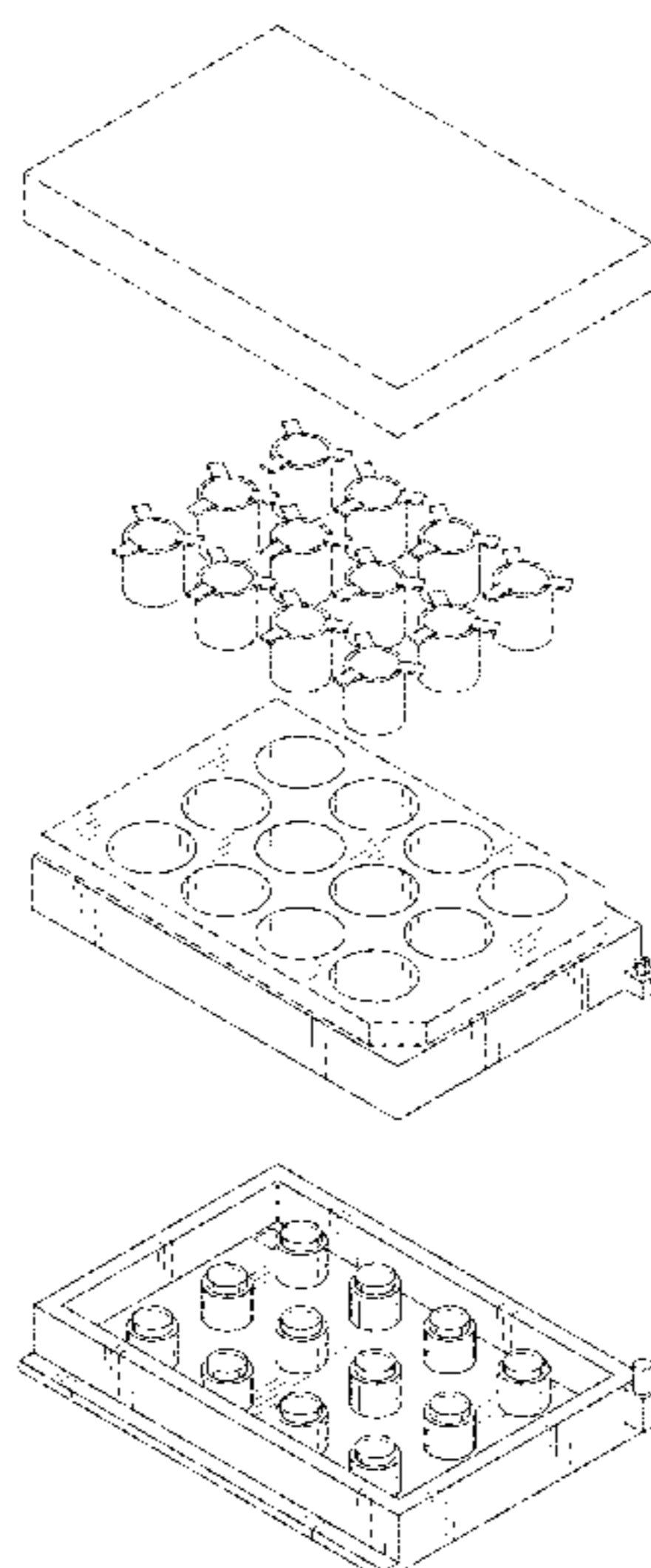
(57) **CLAIM**

The ornamental design for a well plate cassette, as shown and described.

FIG. 1 is a perspective view of the well plate cassette showing our design in a closed configuration with a lid; FIG. 2 is an exploded view of the well plate cassette of FIG. 1 with the lid, inserts, a top well plate and a bottom well plate shown in smaller proportions when compared to the same components as shown in FIGS. 1 and 3-19; FIG. 3 is a perspective view of the top well plate of the well plate cassette of FIG. 1; FIG. 4 is a top view of the top well plate of FIG. 3; FIG. 5 is a bottom view of the top well plate of FIG. 3; FIG. 6 is a front view of the top well plate of FIG. 3, of which the back view is a mirror image; FIG. 7 is a right side view of the top well plate of FIG. 3; FIG. 8 is a left side view of the top well plate of FIG. 3; FIG. 9 is a perspective view of the bottom well plate of the well plate cassette of FIG. 1; FIG. 10 is a top view of the bottom well plate of FIG. 9; FIG. 11 is a bottom view of the bottom well plate of FIG. 9; FIG. 12 is a front view of the bottom well plate of FIG. 9, of which the back view is a mirror image; FIG. 13 is a right side view of the bottom well plate of FIG. 9; FIG. 14 is a left side view of the bottom well plate of FIG. 9; FIG. 15 is a perspective view of the well plate cassette of FIG. 1 without the lid and inserts; FIG. 16 is a top view of the well plate cassette of FIG. 15; FIG. 17 is a bottom view of the well plate cassette of FIG. 15; FIG. 18 is a cross-sectional view of the well plate cassette of FIG. 1 in a closed configuration and is shown in enlarged proportions when compared to the same components shown in FIGS. 1-17; and, FIG. 19 is a cross-sectional view of the well plate cassette of FIG. 1 in a closed configuration and is shown in enlarged proportions when compared to the same components shown in FIGS. 1-17.

The broken lines showing the lid and the inserts represent environment and from no part of the claimed design. All other broken lines show portions of the well plate cassette that form no part of the claim design.

1 Claim, 9 Drawing Sheets



(58) **Field of Classification Search**

CPC .. B01L 9/54; B01L 9/523; B01L 9/527; B01L 9/543; B01L 9/547; B01L 3/5085; B01L 3/5027; G01N 35/1002; G01N 35/02
See application file for complete search history.

(56) **References Cited**

U.S. PATENT DOCUMENTS

4,829,006	A *	5/1989	Smith	B01L 3/5021 215/354
5,508,005	A *	4/1996	Mathus	B01L 3/5085 422/551
D411,308	S *	6/1999	Pandey	D24/216
6,472,202	B1 *	10/2002	Banes	C12M 23/26 435/305.1
8,058,060	B2 *	11/2011	Esser	C12M 25/04 422/551
2002/0189374	A1 *	12/2002	DeSilets	B01L 3/5025 73/864.51
2009/0095647	A1 *	4/2009	Togashi	A61M 5/008 206/438
2017/0142945	A1	5/2017	Demetrescu et al.		
2017/0145373	A1 *	5/2017	Lianides	C12M 41/48

* cited by examiner

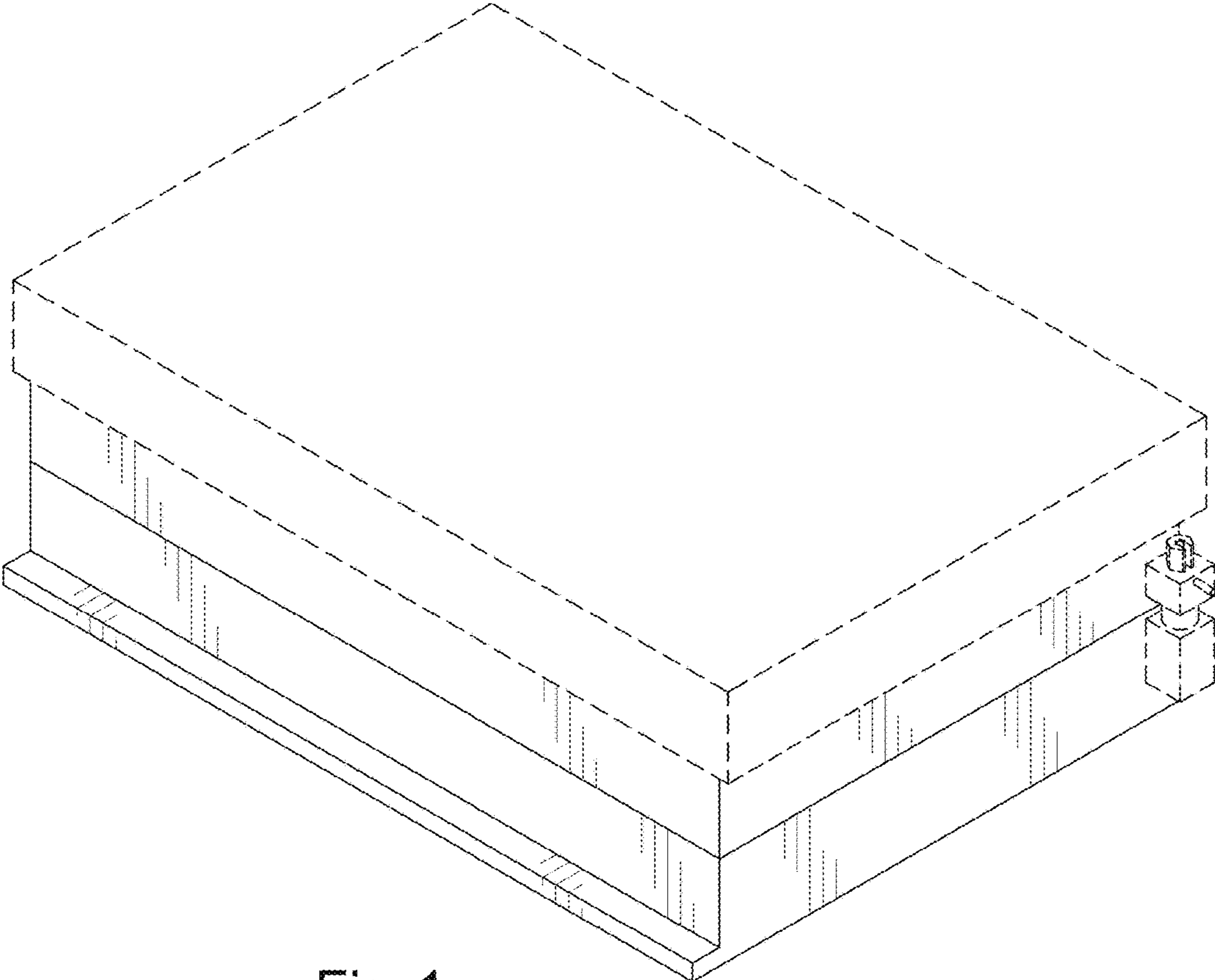


Fig-1

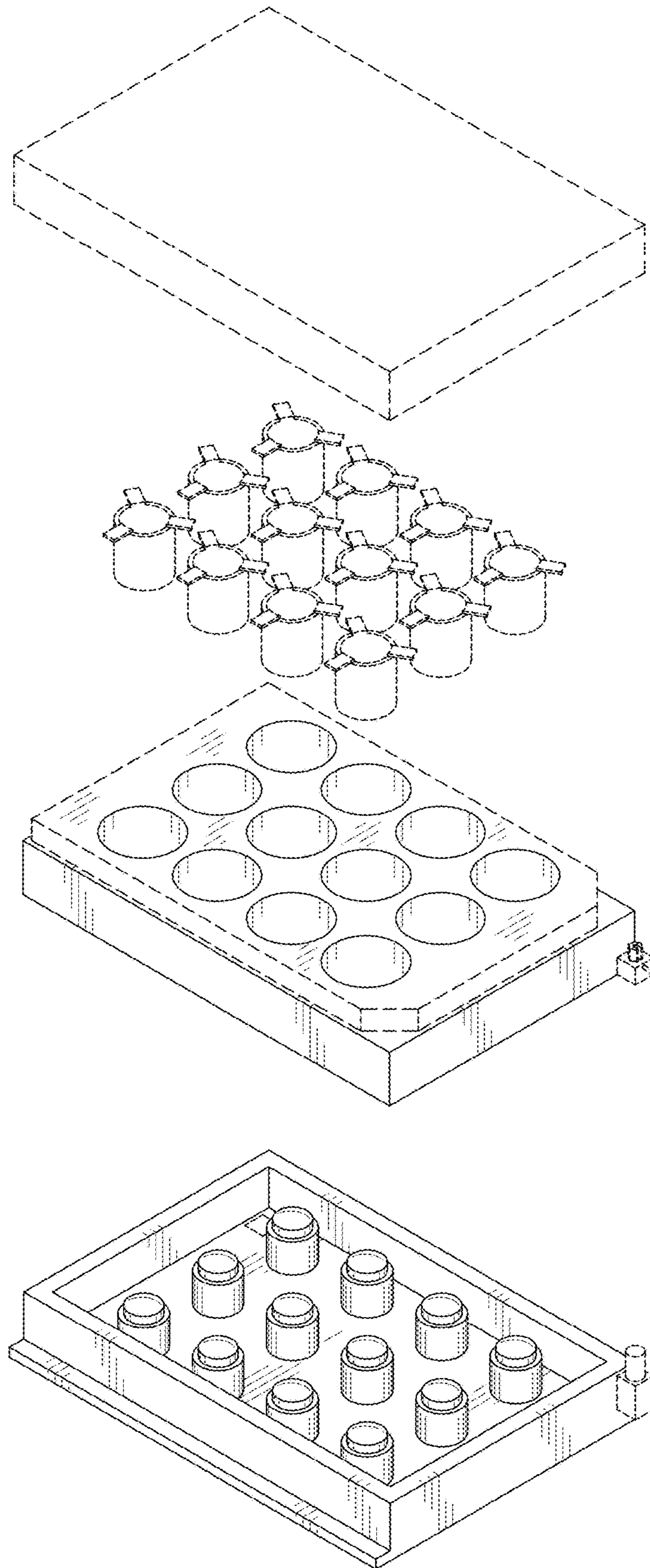


Fig-2

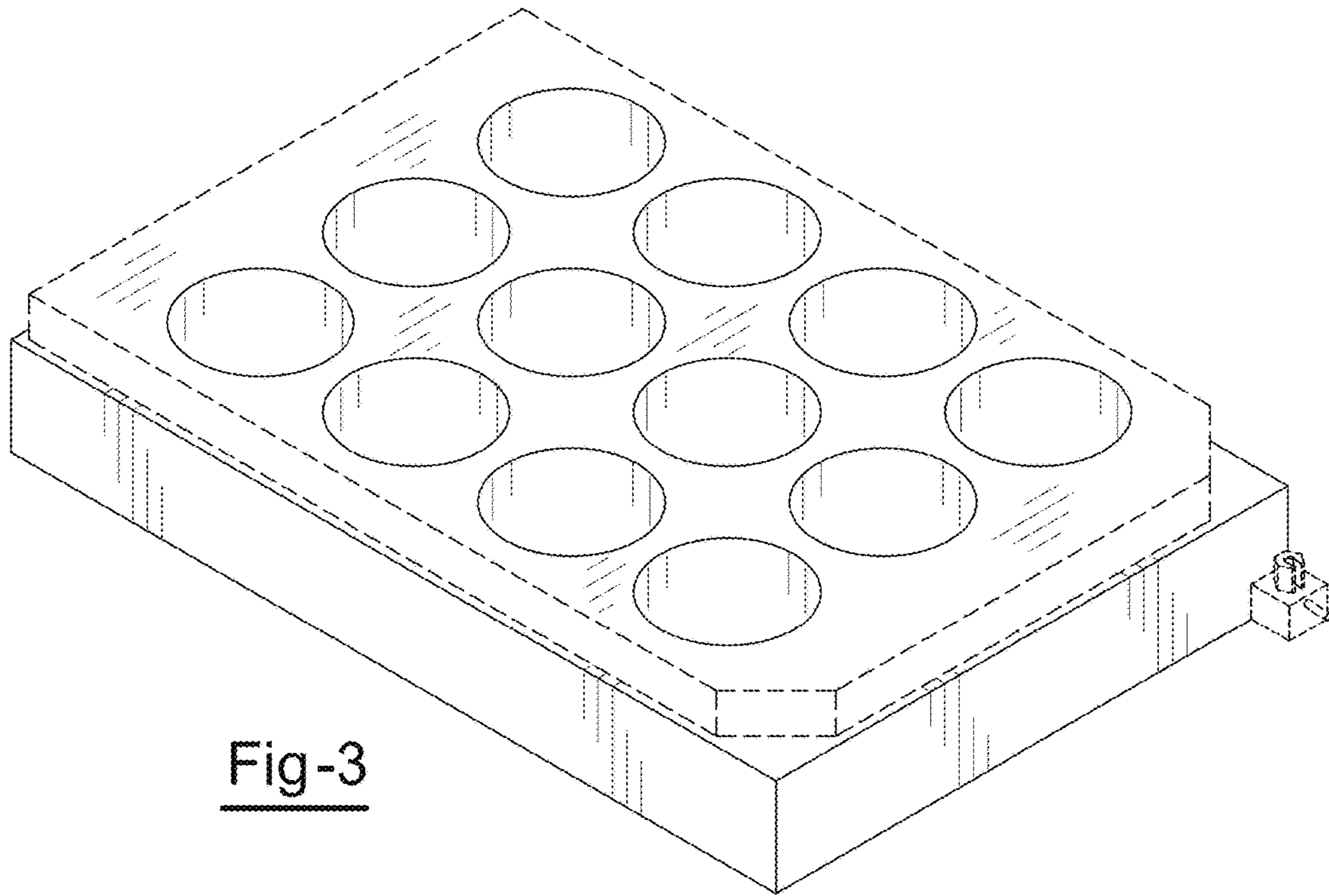


Fig-3

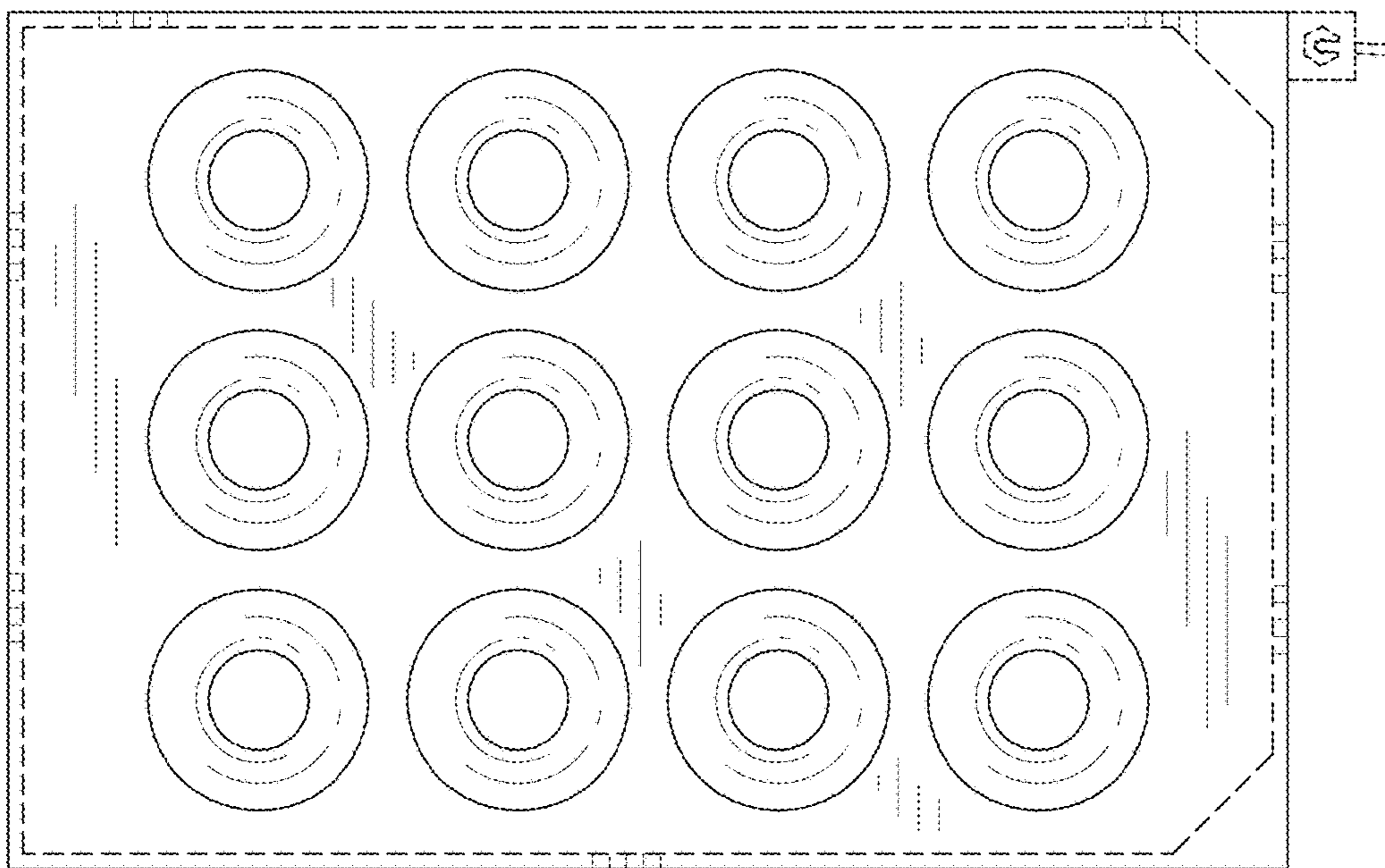


Fig-4

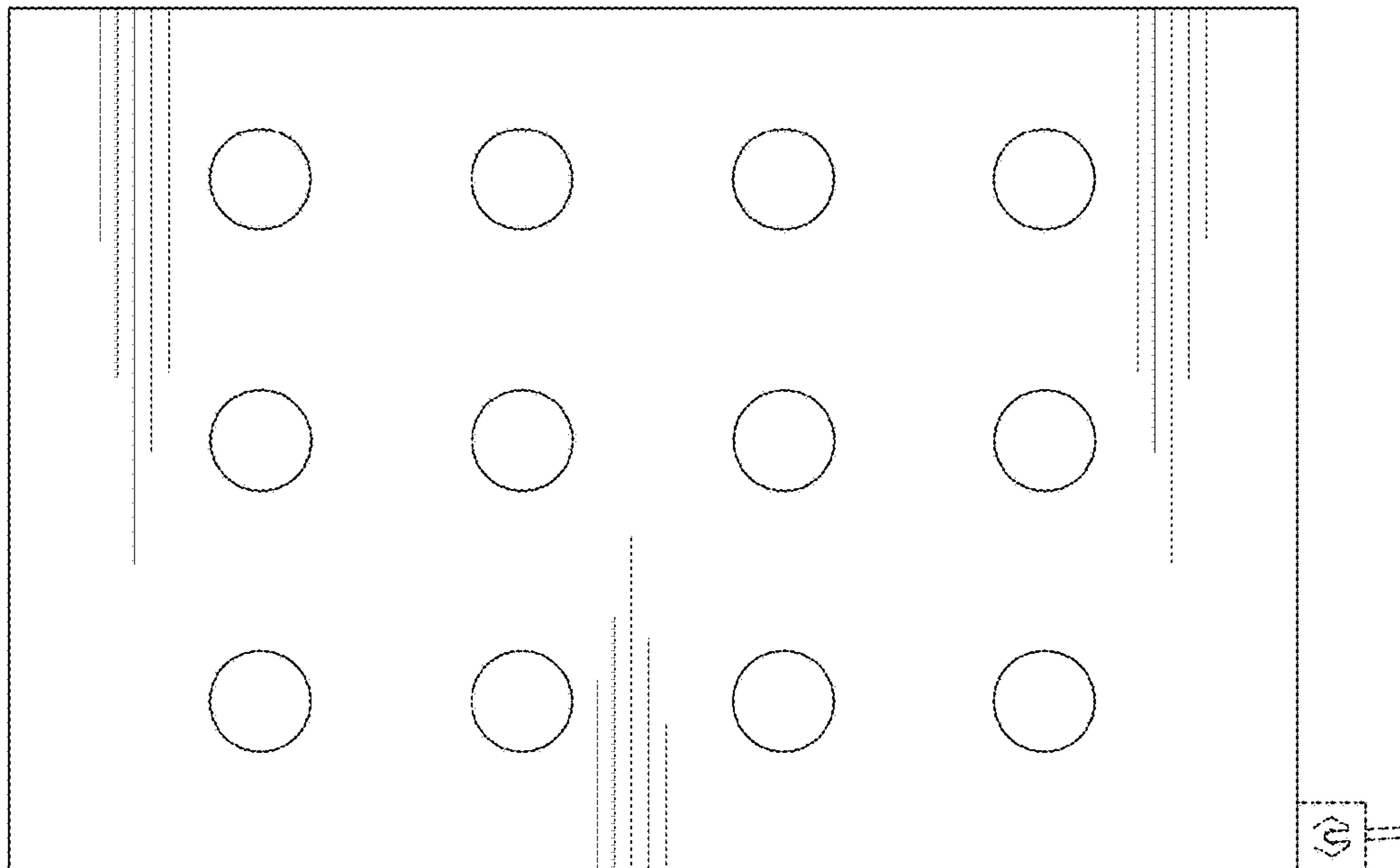


Fig-5

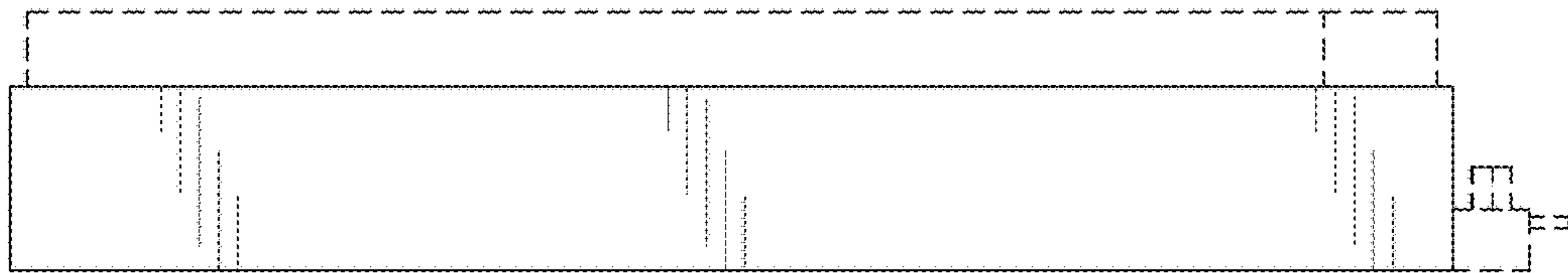


Fig-6

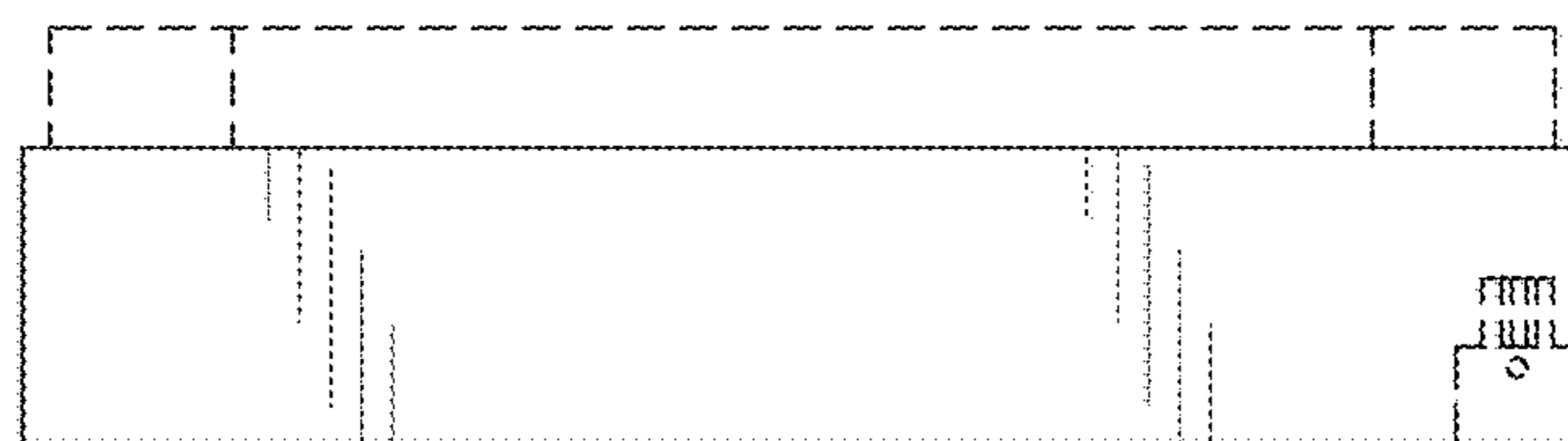


Fig-7

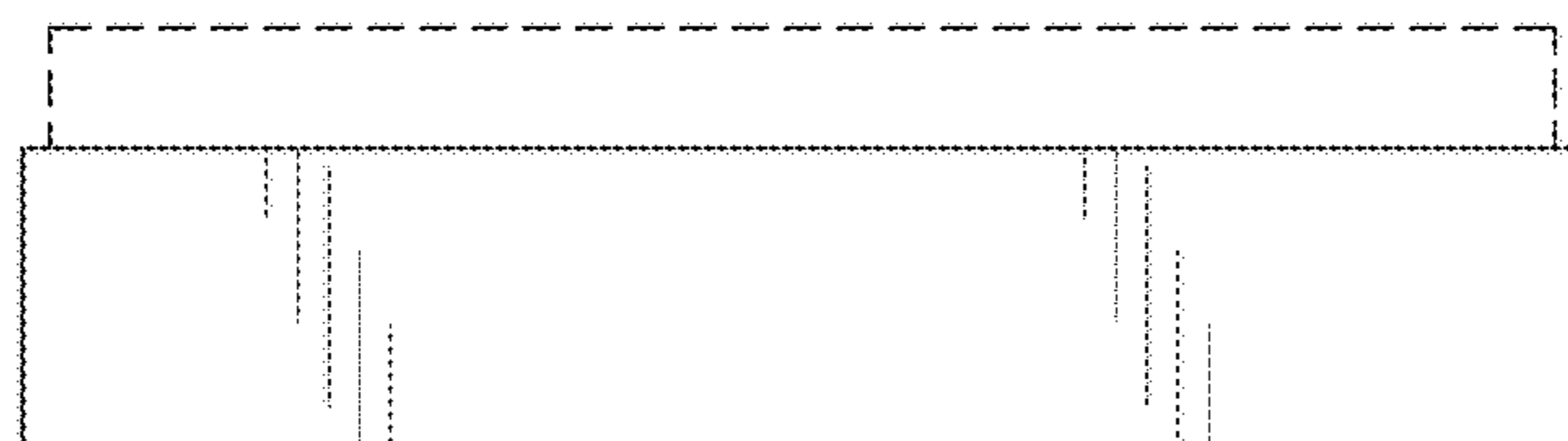


Fig-8

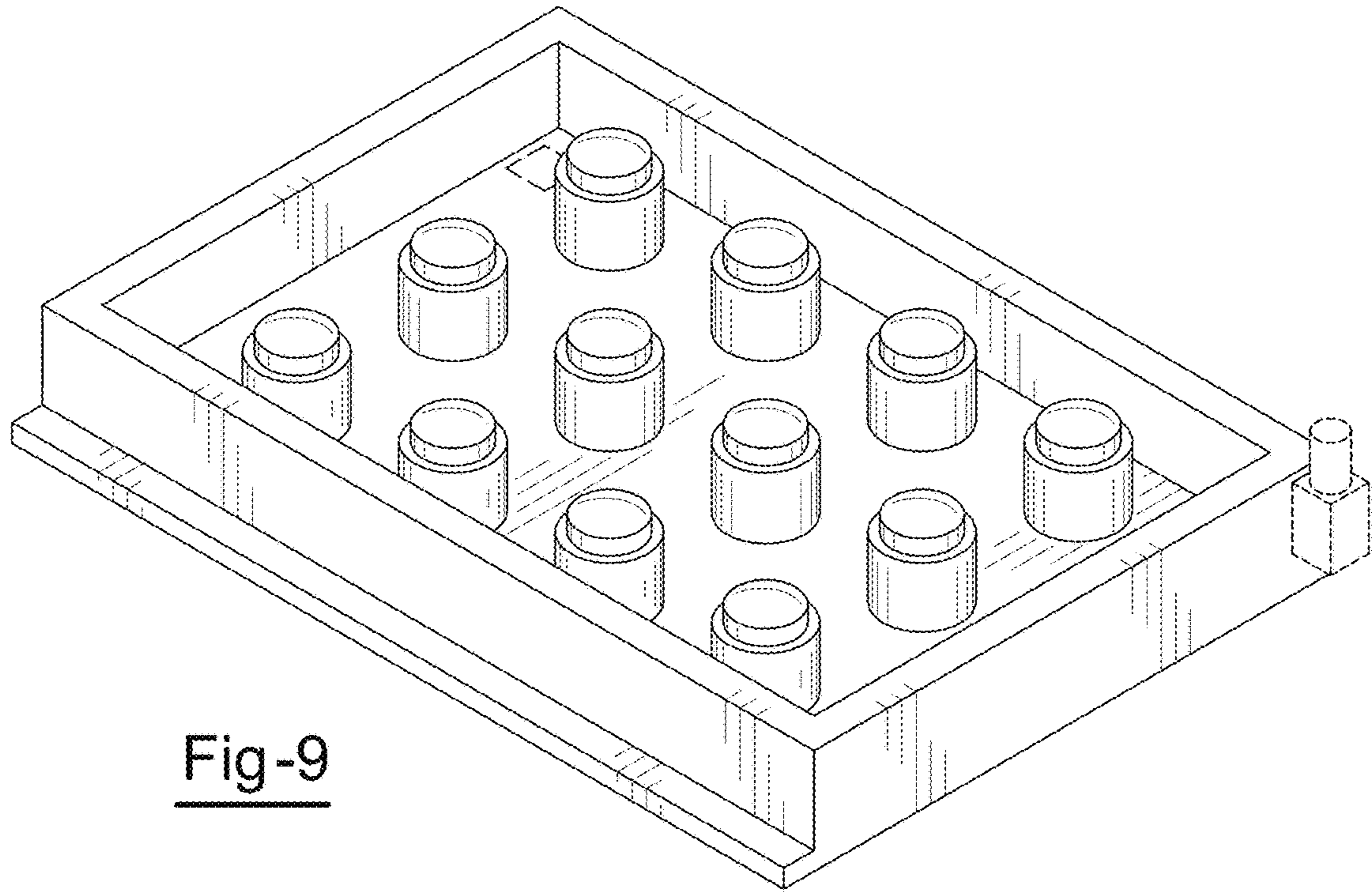


Fig-9

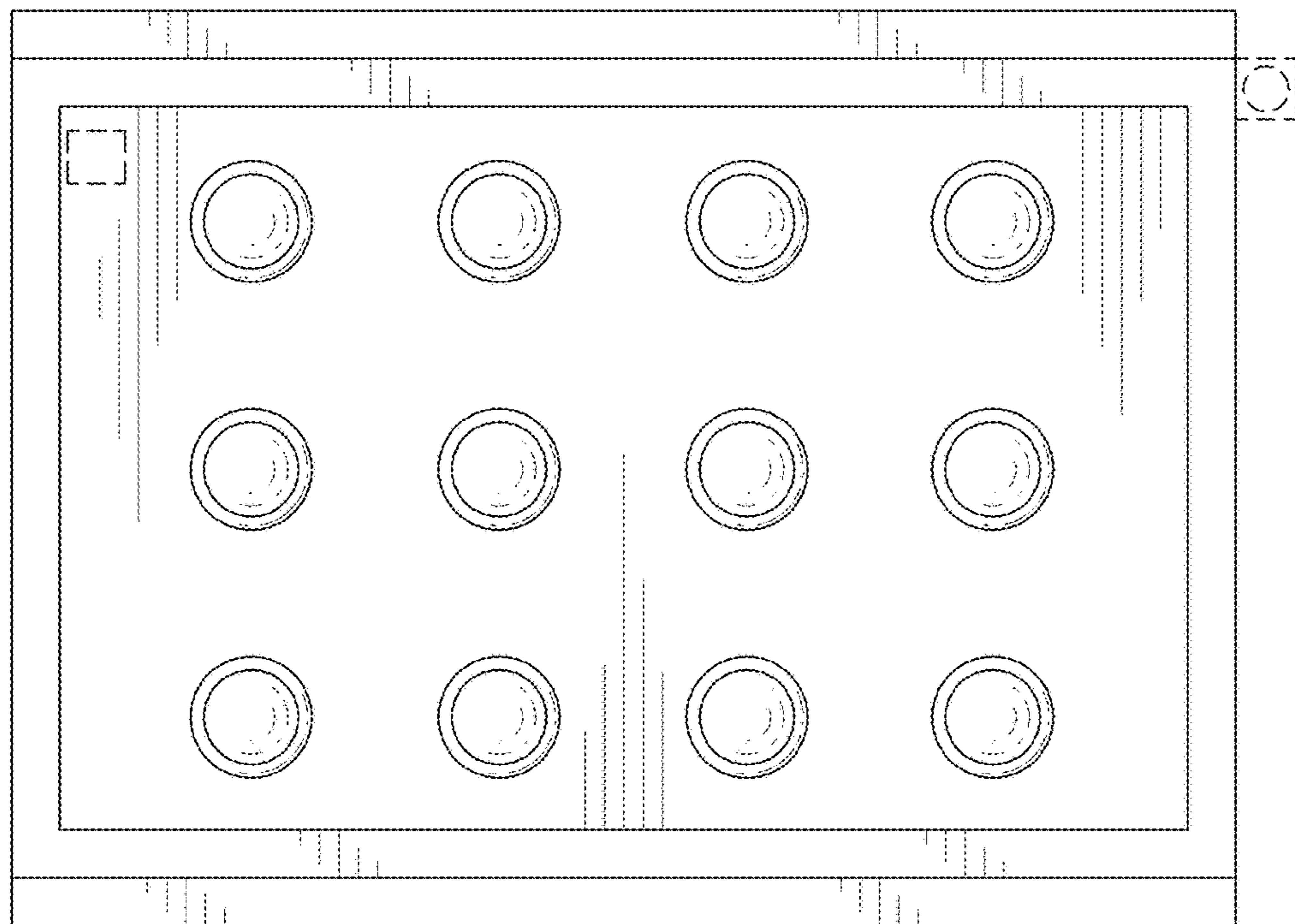


Fig-10

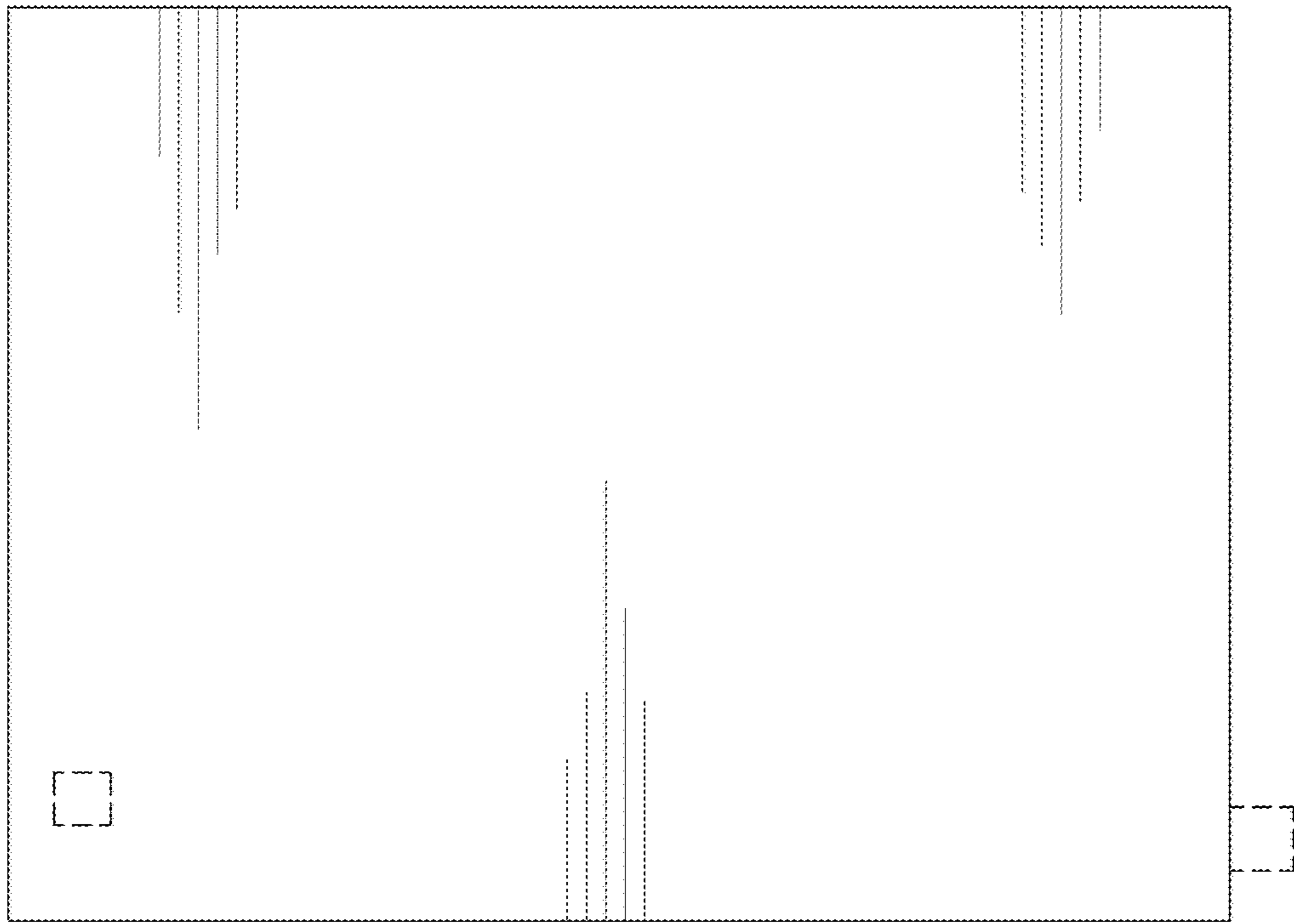


Fig-11

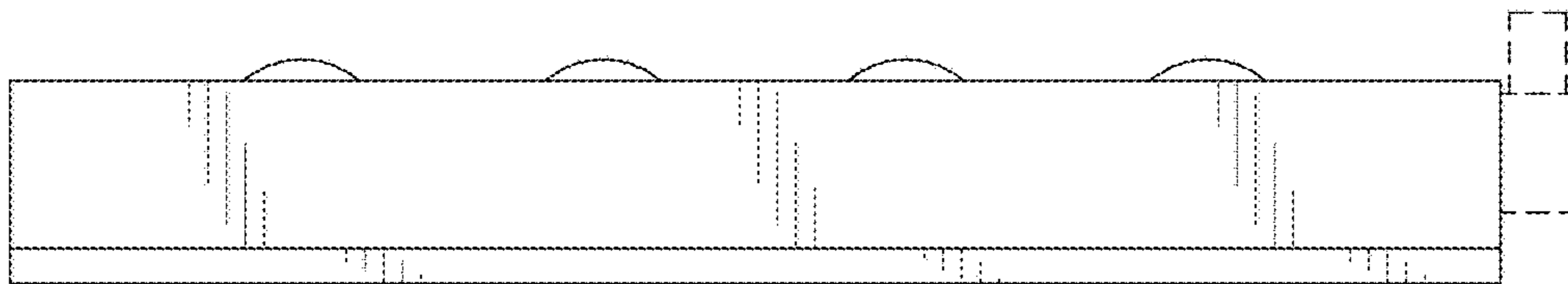


Fig-12

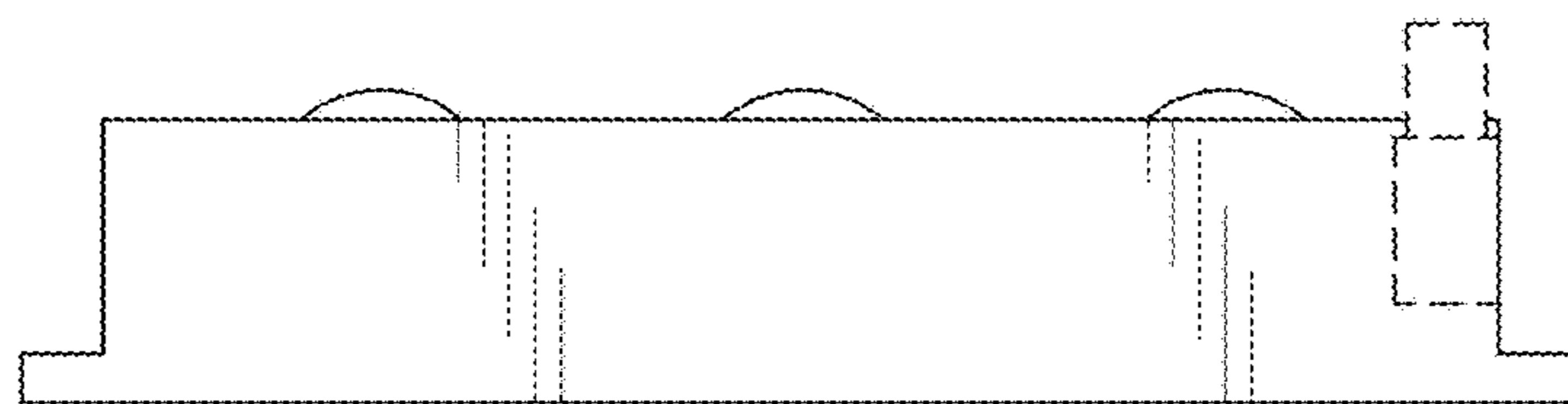


Fig-13

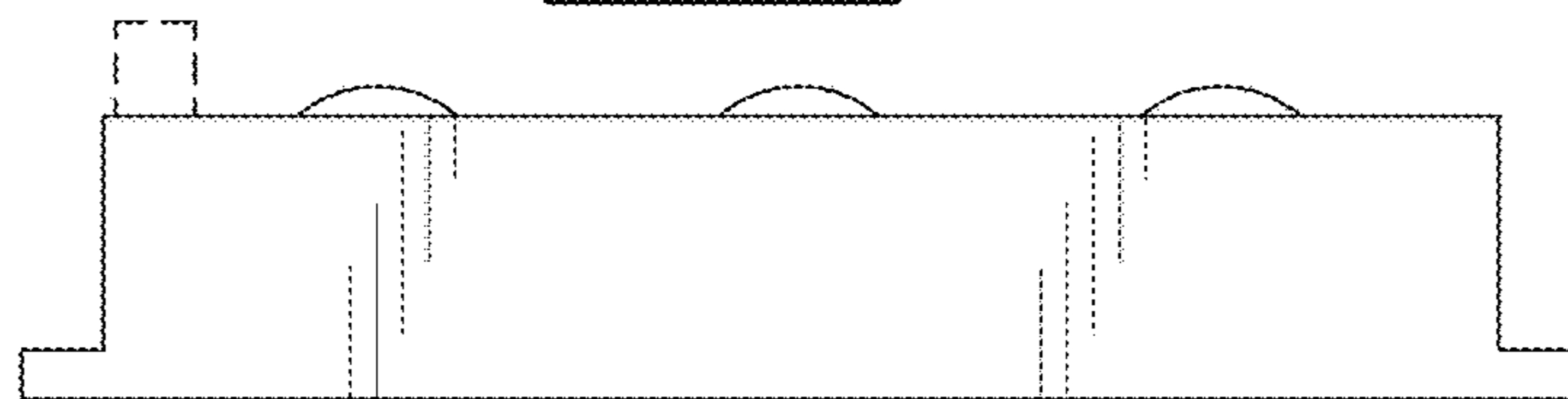


Fig-14

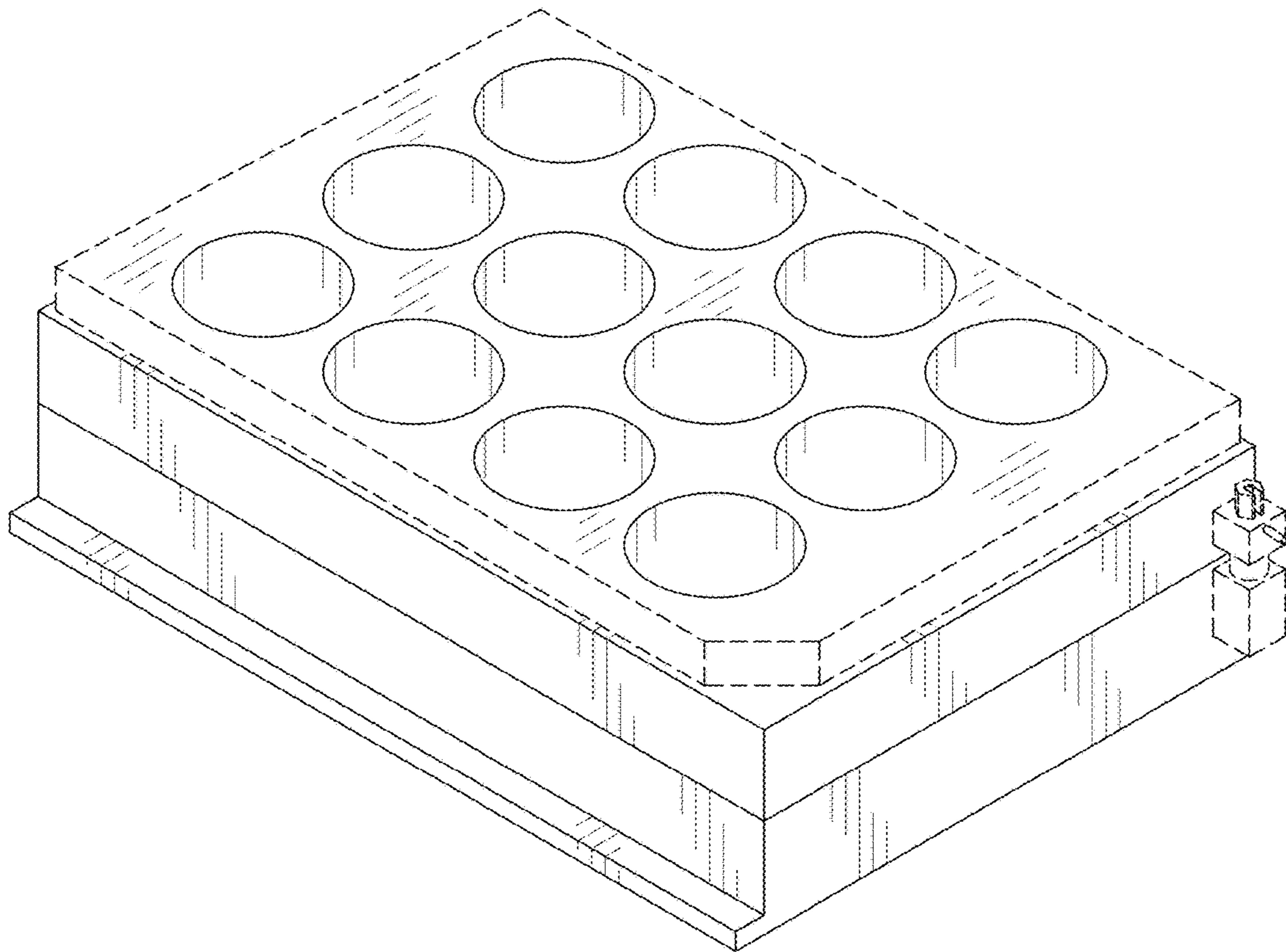


Fig-15

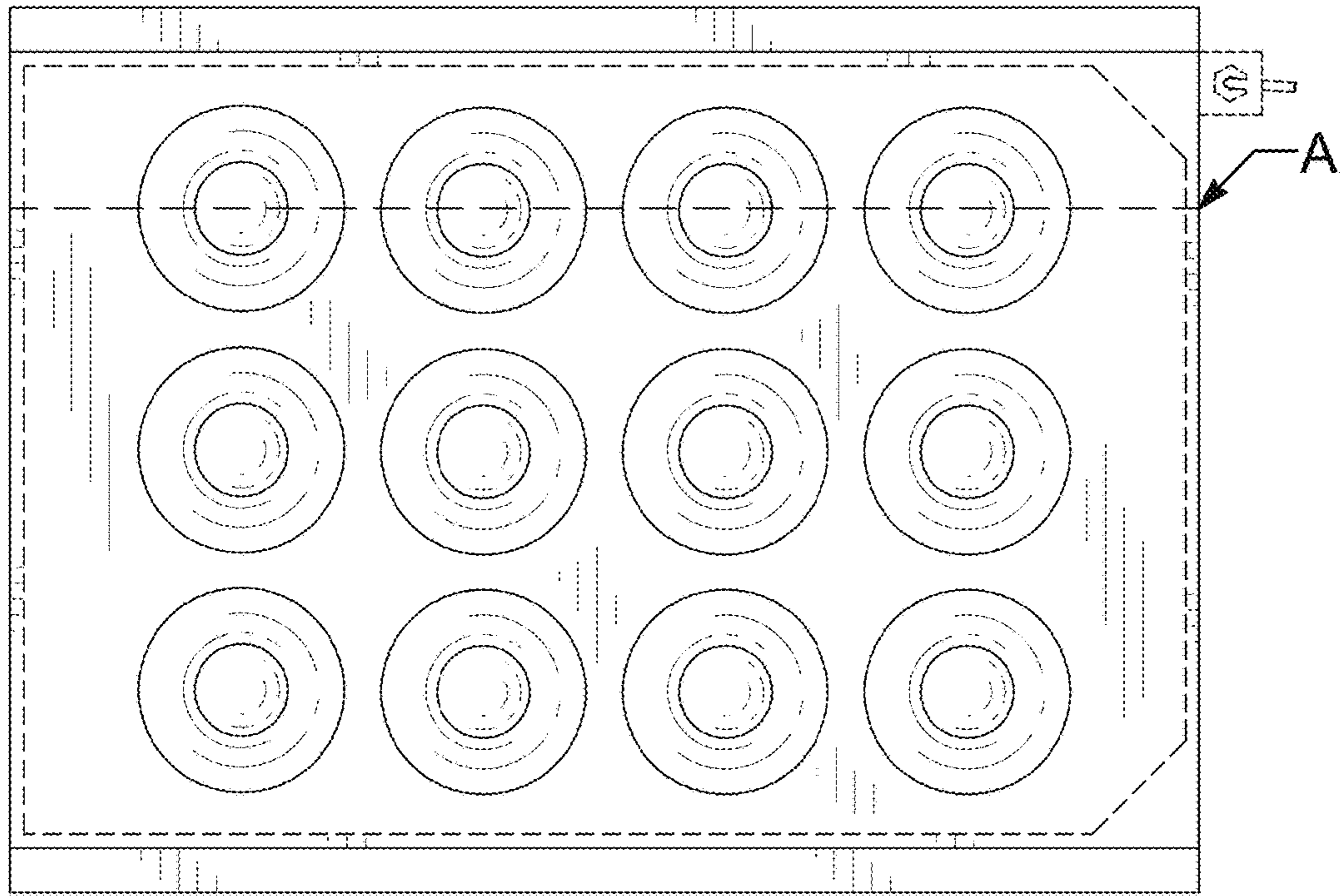


Fig-16

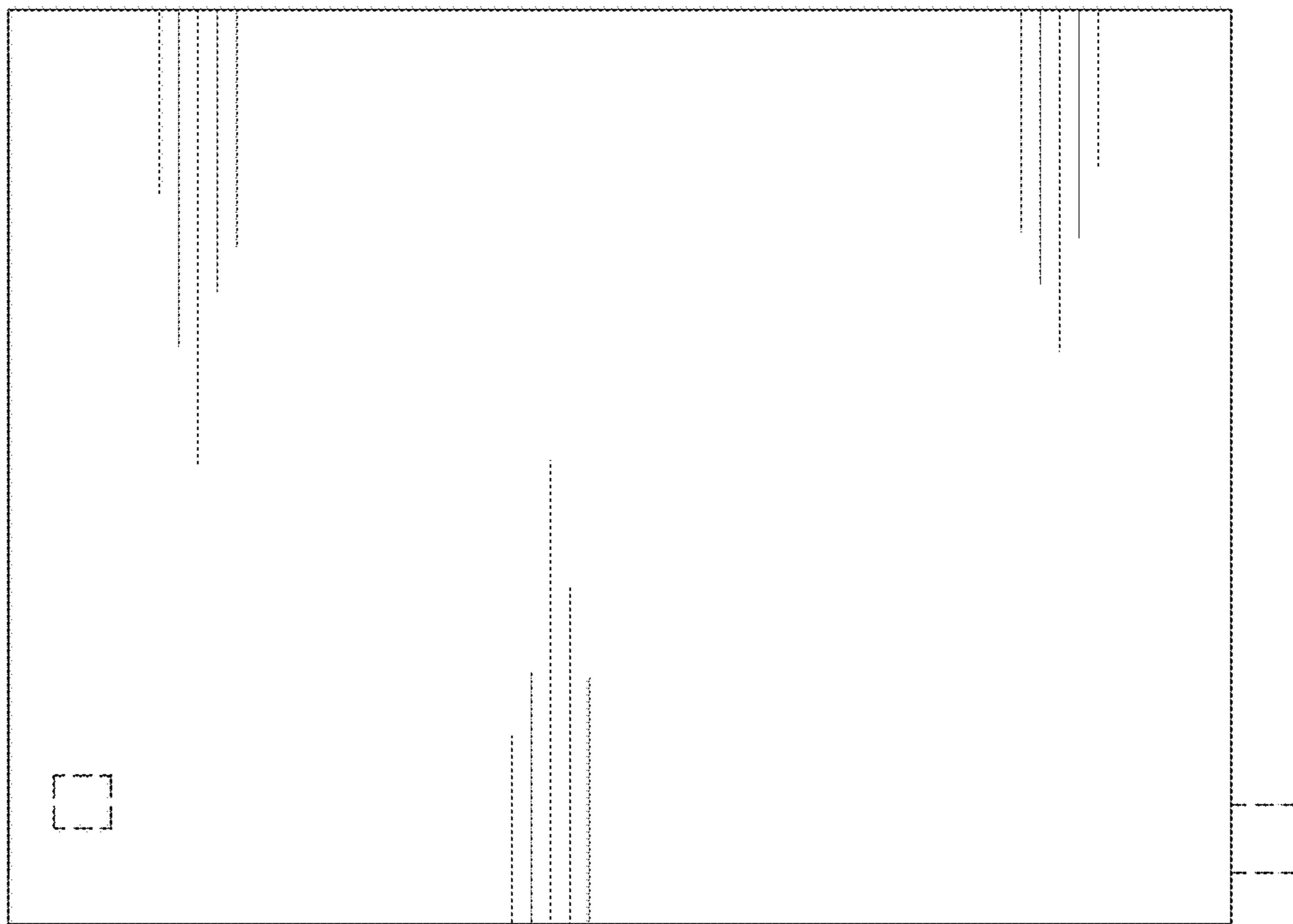


Fig-17

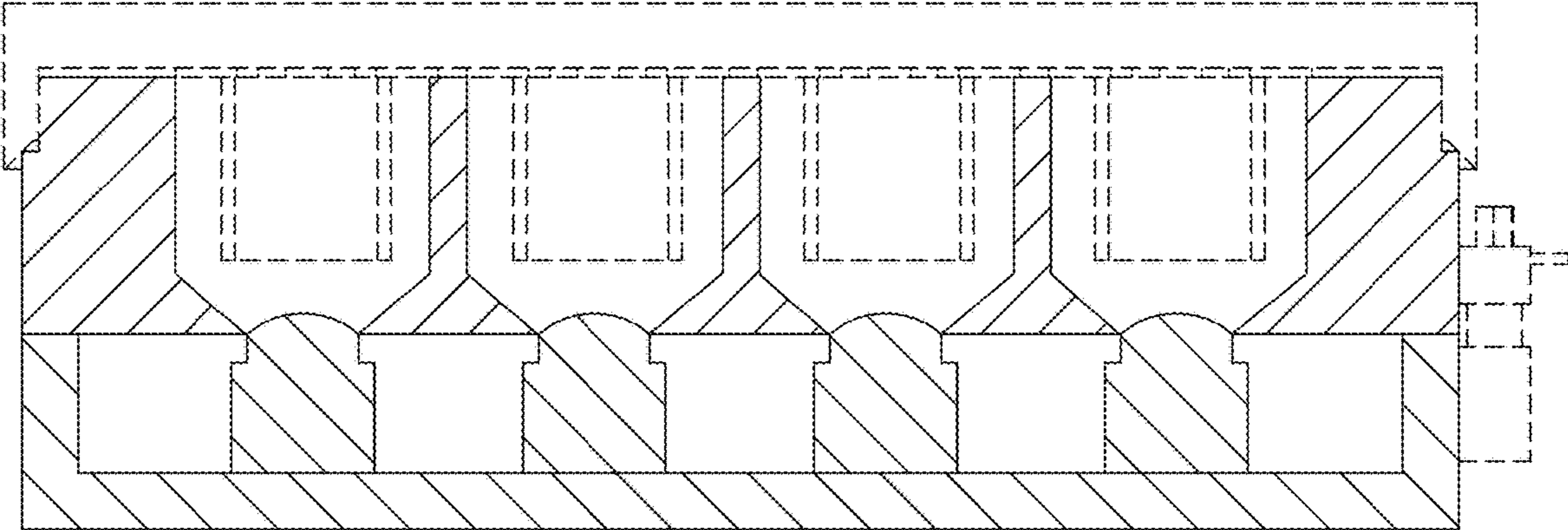


Fig-18

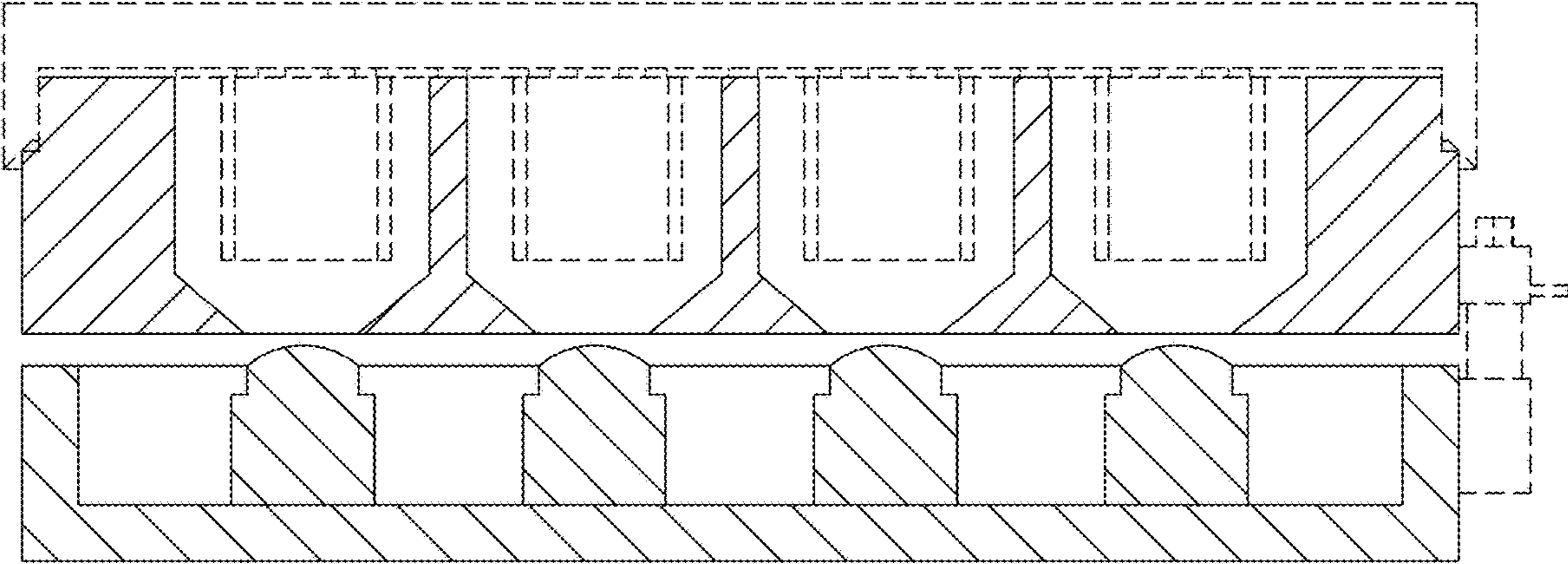


Fig-19