



US00D834721S

(12) **United States Design Patent** (10) **Patent No.:** **US D834,721 S**  
**Klein et al.** (45) **Date of Patent:** **\*\* Nov. 27, 2018**

(54) **ASSAY CARTRIDGE**

OTHER PUBLICATIONS

(71) Applicant: **Neogen Corporation**, Lansing, MI (US)

U.S. Appl. No. 29/600,835, filed Apr. 17, 2017, Pending.  
(Continued)

(72) Inventors: **Frank Eric Klein**, Howell, MI (US); **Andrew John Wheeler**, Charlotte, MI (US); **Andrew John DenHartigh**, Lansing, MI (US); **William Hoerner**, Lansing, MI (US); **Zwckxally Obregon**, Cedar Creek, TX (US); **Britton Marlatt**, Katy, TX (US)

*Primary Examiner* — Anhdao Doan  
*Assistant Examiner* — Mary Shannon Malley  
(74) *Attorney, Agent, or Firm* — Honigman Miller Schwartz and Cohn LLP; Douglas H. Siegel; Jonathan P. O'Brien

(73) Assignee: **NEOGEN CORPORATION**, Lansing, MI (US)

(57) **CLAIM**

(\*\*) Term: **15 Years**

The ornamental design for an assay cartridge, as shown and described.

(21) Appl. No.: **29/596,011**

(22) Filed: **Mar. 3, 2017**

(51) **LOC (11) Cl.** ..... **24-01**

(52) **U.S. Cl.**  
USPC ..... **D24/225**

(58) **Field of Classification Search**  
USPC ..... D24/216, 223–225, 231, 232, 186, 107, D24/108, 121; D10/81; 422/503, 551, 422/554; 435/287.2, 287.3, 288.3, 288.4, 435/288.5; 436/808–809  
CPC ..... B01L 3/5027; B01L 3/502707  
See application file for complete search history.

**DESCRIPTION**

FIG. 1 is a left front bottom perspective view of an assay cartridge;  
FIG. 2 is a left front top perspective view thereof;  
FIG. 3 is a left back bottom perspective view thereof;  
FIG. 4 is a left back top perspective view thereof;  
FIG. 5 is a bottom plan view thereof;  
FIG. 6 is a top plan view thereof;  
FIG. 7 is a left-side elevational view thereof;  
FIG. 8 is a front elevational view thereof;  
FIG. 9 is a back elevational view thereof;  
FIG. 10 is a cross-sectional view thereof taken along lines X-X of FIG. 1;  
FIG. 11 is a cross-sectional view thereof taken along lines XI-XI of FIG. 2;  
FIG. 12 is a cross-sectional view thereof taken along lines XII-XII of FIG. 3;  
FIG. 13 is a cross-sectional view thereof taken along lines XIII-XIII of FIG. 4; and,  
FIG. 14 is a cross-sectional view thereof taken along lines XIV-XIV of FIG. 5.

(56) **References Cited**

U.S. PATENT DOCUMENTS

4,353,868 A 10/1982 Joslin et al.  
4,409,988 A 10/1983 Greenspan  
5,726,010 A 3/1998 Clark  
5,726,013 A 3/1998 Clark

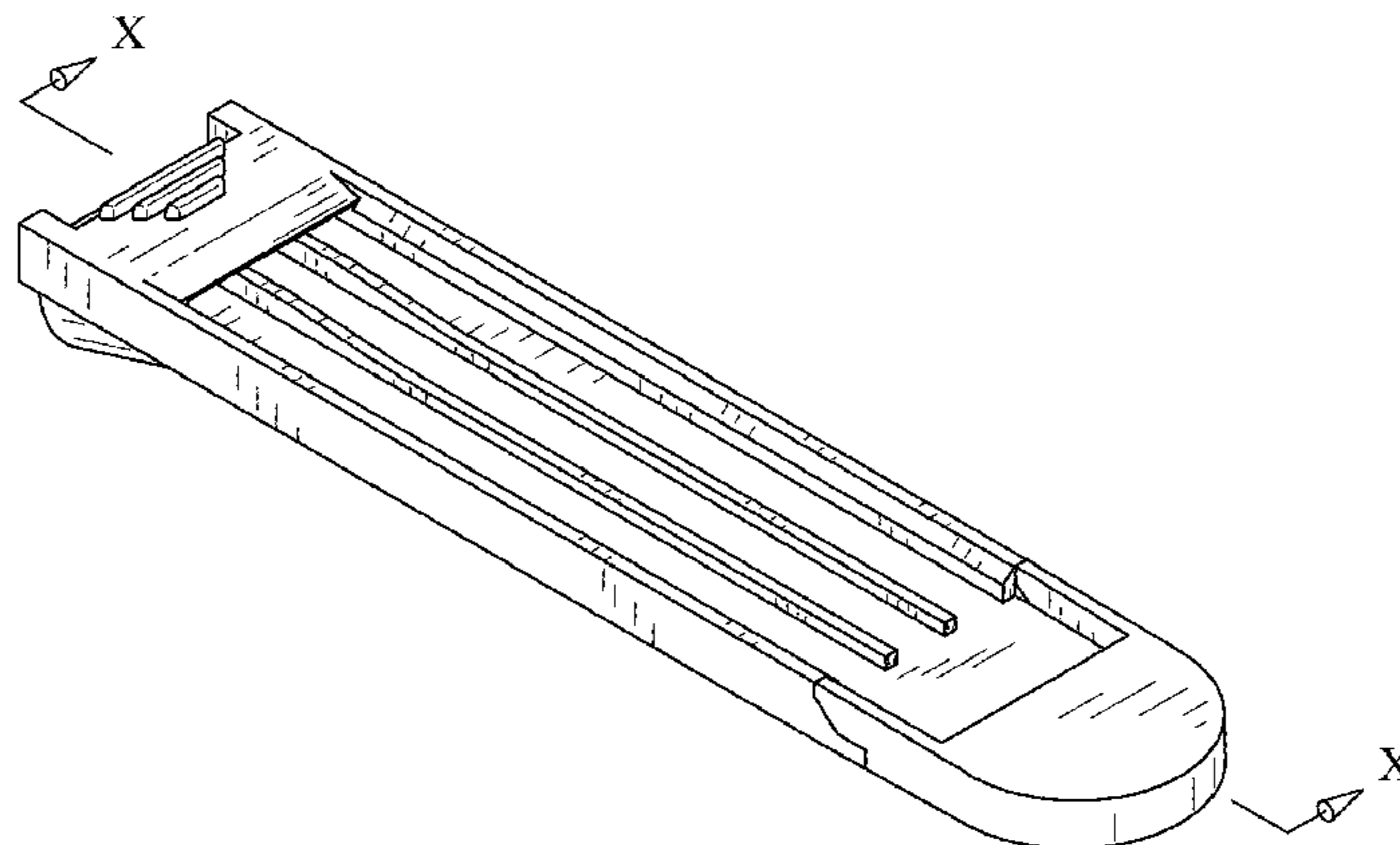
(Continued)

FOREIGN PATENT DOCUMENTS

EP 1095270 B2 11/2010  
WO WO2006073500 A3 7/2006

(Continued)

**1 Claim, 8 Drawing Sheets**



(56)

References Cited

U.S. PATENT DOCUMENTS

D405,539 S 2/1999 Poissant et al.  
 5,985,675 A 11/1999 Charm et al.  
 D419,439 S 1/2000 Markovsky et al.  
 6,136,610 A 10/2000 Polito et al.  
 6,319,466 B1 11/2001 Markovsky et al.  
 6,372,516 B1 4/2002 Sun  
 6,514,769 B2 2/2003 Lee  
 6,524,804 B2 2/2003 Degelaen et al.  
 7,044,919 B1 5/2006 Catt et al.  
 7,097,983 B2 8/2006 Markovsky et al.  
 D556,909 S \* 12/2007 Reihanifam ..... D24/111  
 7,785,899 B2 8/2010 Saul et al.  
 7,803,322 B2 9/2010 Borich et al.  
 8,106,155 B2 1/2012 Degelaen et al.  
 8,470,609 B2 6/2013 Chen  
 8,883,489 B2 11/2014 Pang et al.  
 D724,221 S \* 3/2015 Chung ..... D24/169  
 9,008,373 B2 4/2015 Markovsky et al.  
 D730,536 S \* 5/2015 Mangan ..... D24/225  
 9,063,137 B2 6/2015 Saul et al.  
 D752,759 S \* 3/2016 Chung ..... D24/169  
 D761,438 S \* 7/2016 Higgins ..... D24/232  
 9,488,657 B2 11/2016 Graham et al.  
 D799,055 S \* 10/2017 Kennedy ..... D24/224  
 D803,416 S \* 11/2017 Leaver ..... D24/224  
 2003/0207442 A1 11/2003 Markovsky et al.  
 2004/0096356 A1 5/2004 Degelaen et al.  
 2005/0112024 A1 5/2005 Guo et al.  
 2005/0220668 A1 10/2005 Coville  
 2006/0292036 A1 12/2006 Gould et al.  
 2008/0026451 A1 \* 1/2008 Braman ..... C12N 15/1006  
 435/270  
 2008/0031779 A1 2/2008 Polito et al.  
 2009/0023201 A1 \* 1/2009 Hongo ..... B01L 3/50273  
 435/287.2  
 2010/0267049 A1 10/2010 Rutter et al.  
 2011/0171754 A1 7/2011 Redmond et al.  
 2013/0280698 A1 10/2013 Propper et al.  
 2014/0057362 A1 2/2014 Markovsky et al.  
 2014/0120556 A1 5/2014 Moll et al.  
 2014/0138260 A1 \* 5/2014 Briman ..... G01N 27/48  
 205/775  
 2014/0271362 A1 9/2014 Markovsky et al.  
 2014/0334980 A1 11/2014 Graham et al.  
 2015/0276613 A1 10/2015 Markovsky et al.  
 2016/0103075 A1 4/2016 Borich et al.

2016/0129445 A1 \* 5/2016 Corey ..... B01L 7/52  
 435/286.1  
 2016/0158746 A1 \* 6/2016 Taylor ..... B01L 3/50273  
 435/6.12  
 2016/0187239 A1 6/2016 Givens et al.  
 2016/0310948 A1 10/2016 Nowakowski et al.  
 2017/0199152 A1 \* 7/2017 Briman ..... G01N 27/49  
 2017/0370914 A1 \* 12/2017 Kasdan ..... B01L 3/502

FOREIGN PATENT DOCUMENTS

WO WO2011140476 A1 11/2011  
 WO WO2012027583 A2 3/2012  
 WO WO2012145730 A2 10/2012  
 WO WO2014126918 A1 8/2014  
 WO WO2015017591 A1 2/2015

OTHER PUBLICATIONS

U.S. Appl. No. 15/488,793, filed Apr. 17, 2017, Pending.  
 U.S. Appl. No. 15/488,627, filed Apr. 17, 2017, Allowed.  
 2007 Neogen Corporation's Product Brochure for Reveal AccuScan III, 2 pages.  
 2012 Neogen Corporation's Product Brochure for AccuScan Pro, 1 page.  
 2014 Neogen Corporation's AccuScan Pro User Manual, 14 pages.  
 2015 Neogen Corporation's AccuScan Gold Manual, 12 pages.  
 Alere™ Reader, 7 pages, [date unknown].  
 Charm EZ brochure, Jun. 2015, 4 pages.  
 Envirologix QuickComb product insert, Rev. Jan. 7, 2016, 6 pages.  
 Neogen Corporation's presentation regarding AccuScan Gold, Nov. 2015, 21 pages.  
 Neogen Corporation's user guide presentation regarding AccuScan Pro, Aug. 2012, 13 pages.  
 Neogen Corporation's User's Guide for Reveal AccuScan III, Nov. 2010, 9 pages.  
 Photographs of Accuscan Gold device, 4 pages, publicly available before Apr. 17, 2016.  
 Photographs of Accuscan Pro device, 4 pages, publicly available before Apr. 17, 2016.  
 Reveal Sciences CareType™, Analysis System, 2 pages, 2009.  
 Charm EZ Lite brochure, May 2015, 2 pages.  
 Charm EZ-M brochure, Sep. 2015, 4 pages.  
 Neogen Corporation's product and directions for use regarding Reveal Q+ product line, 2014, 2 pages.

\* cited by examiner

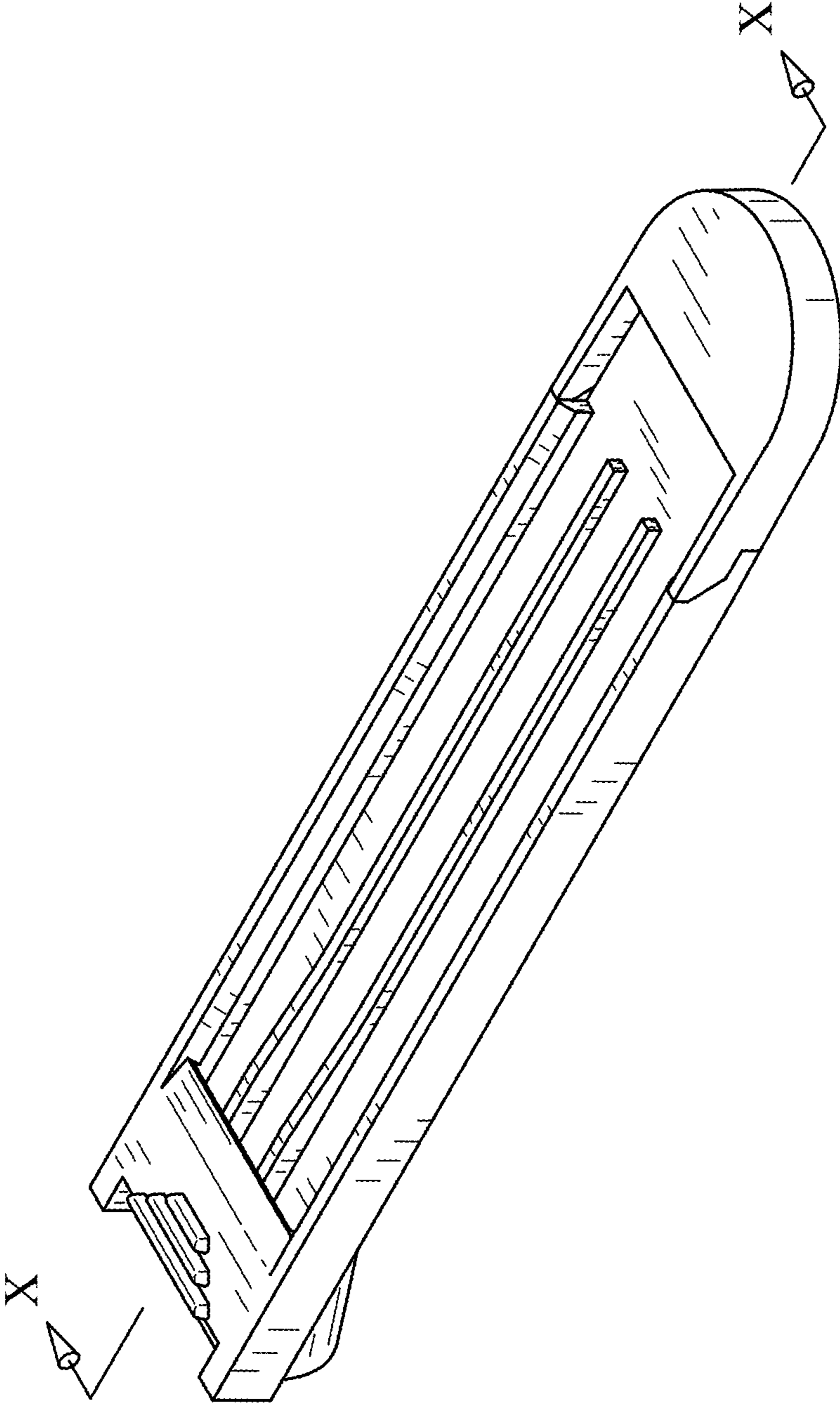
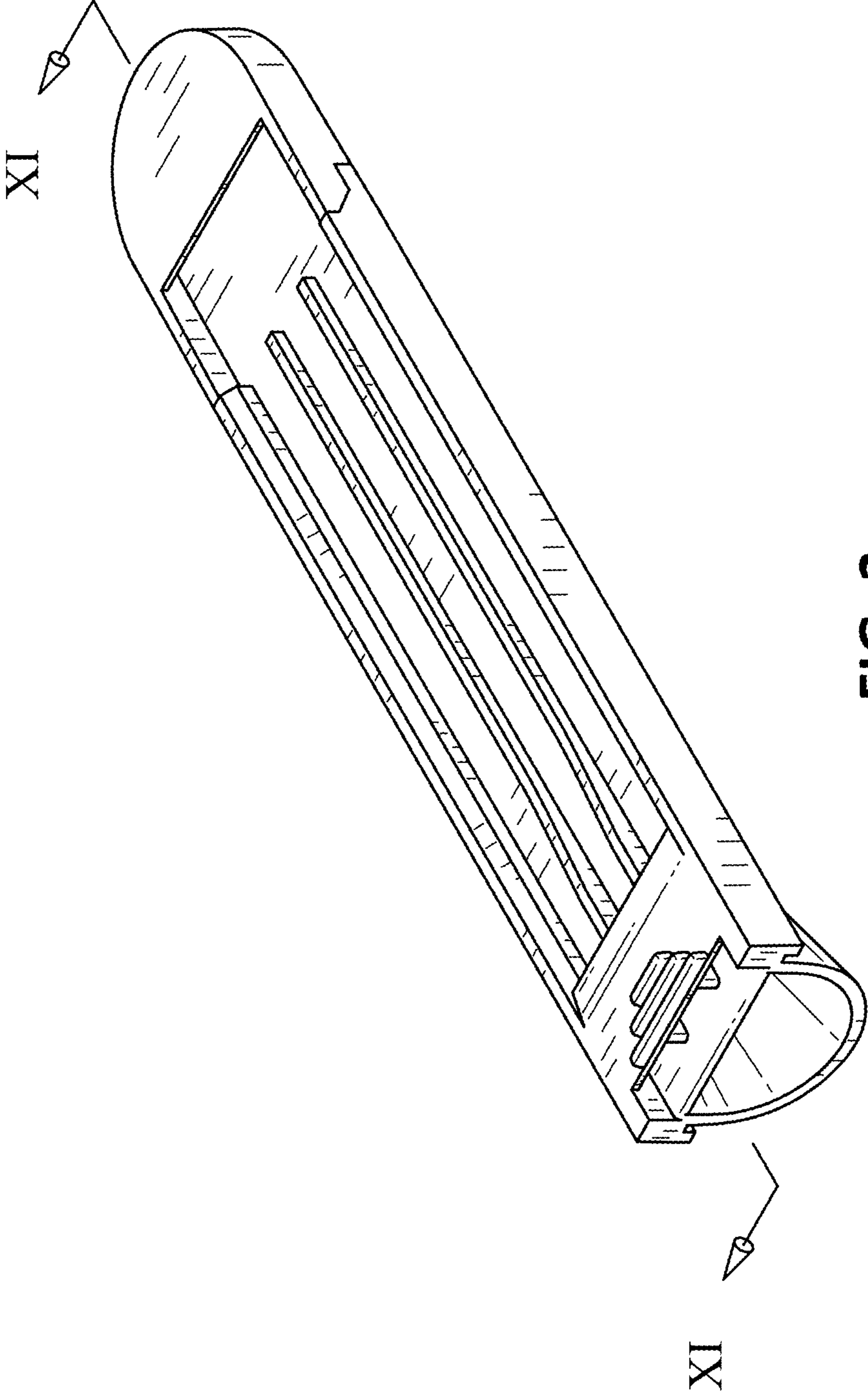
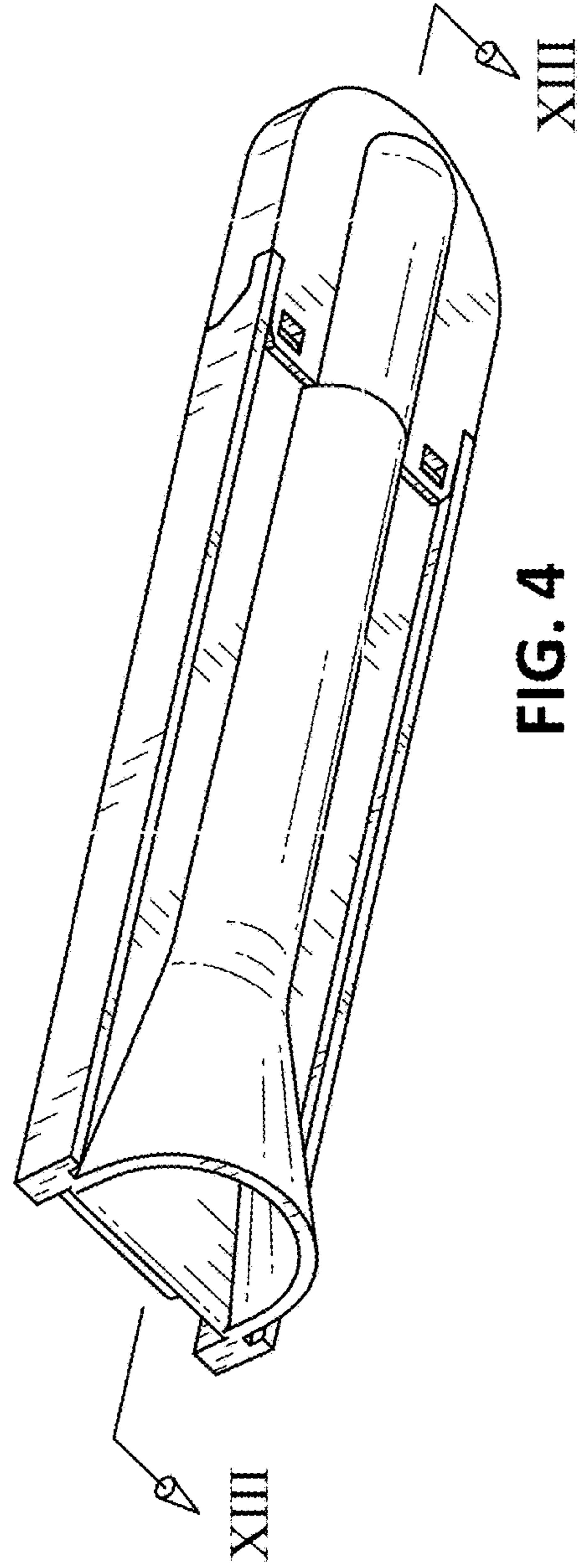
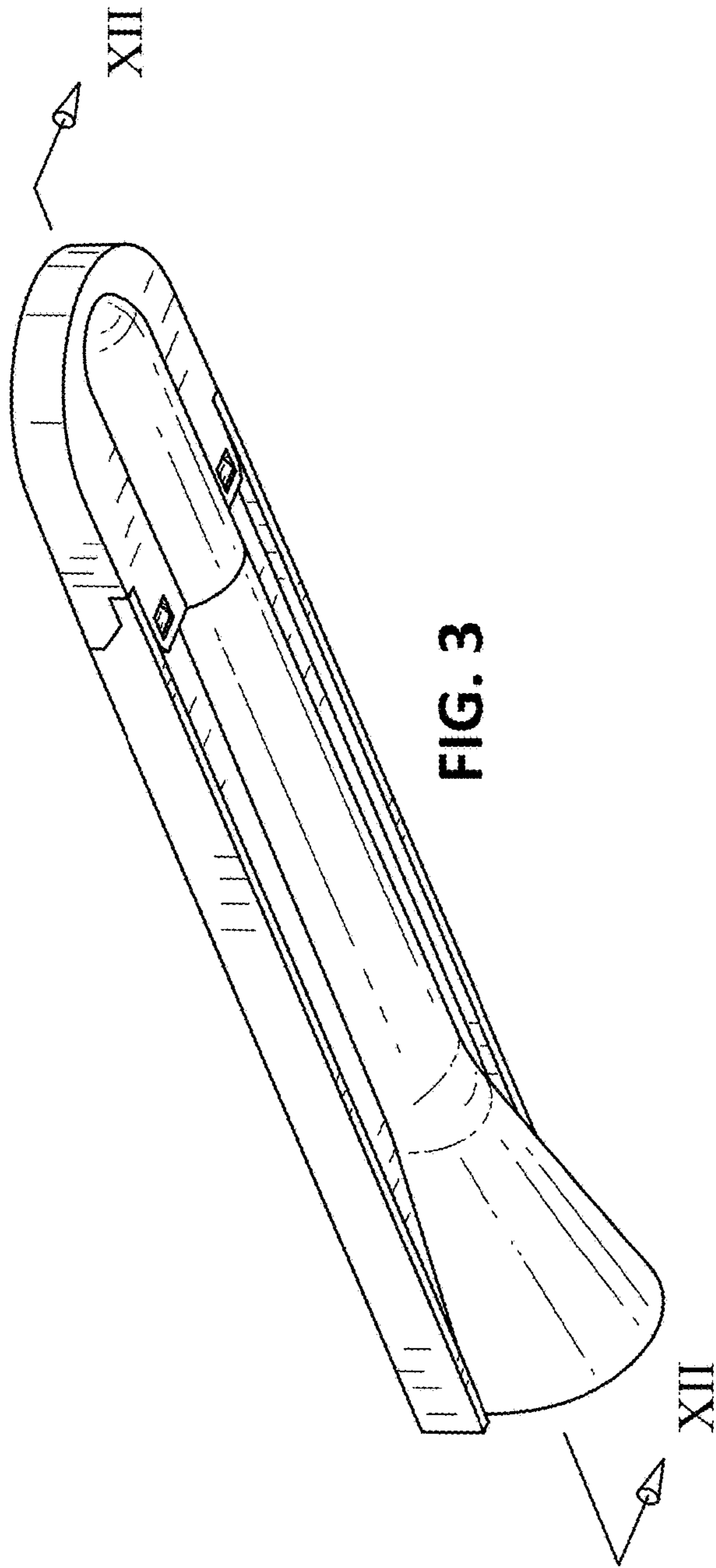


FIG. 1







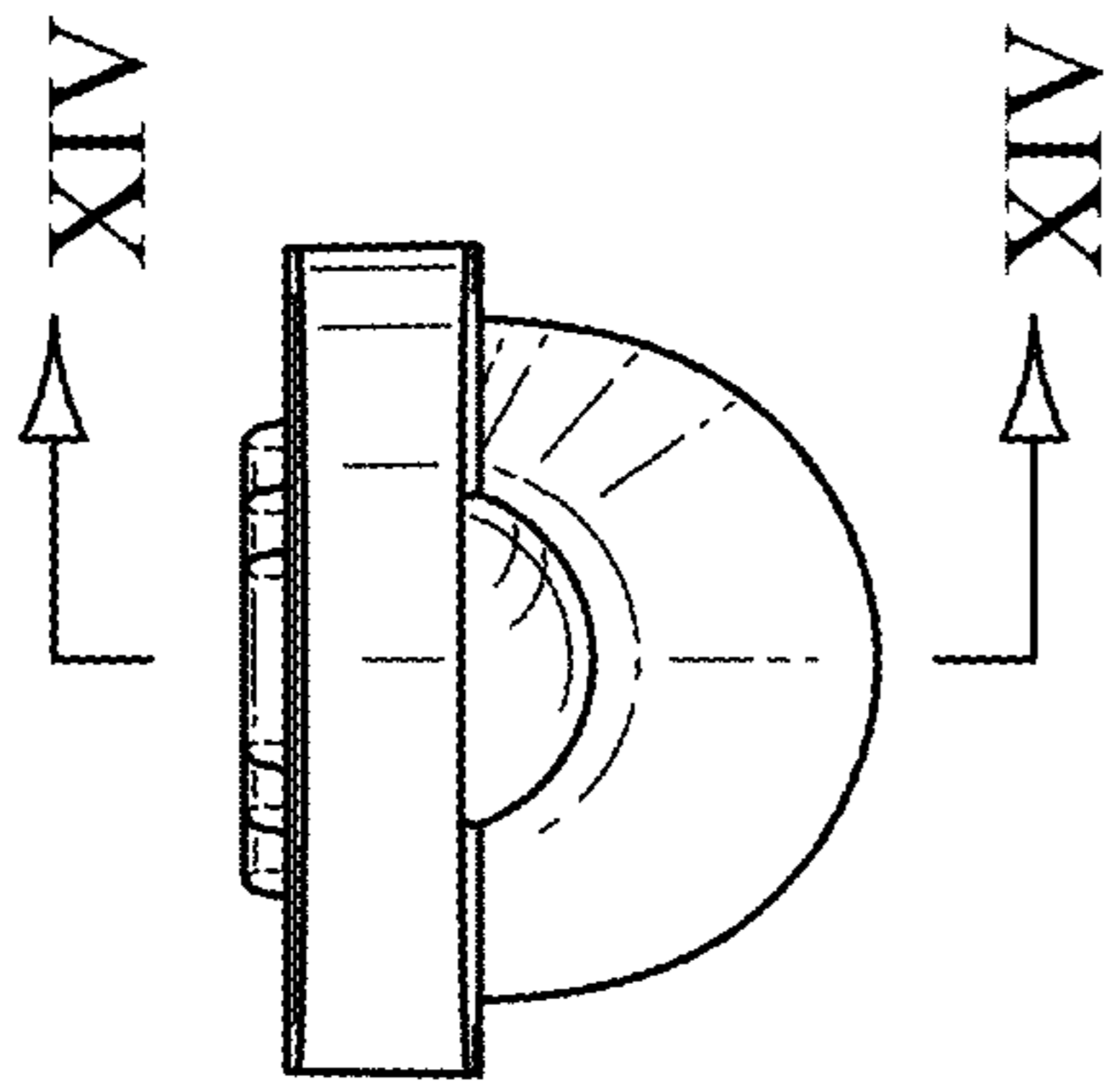


FIG. 5

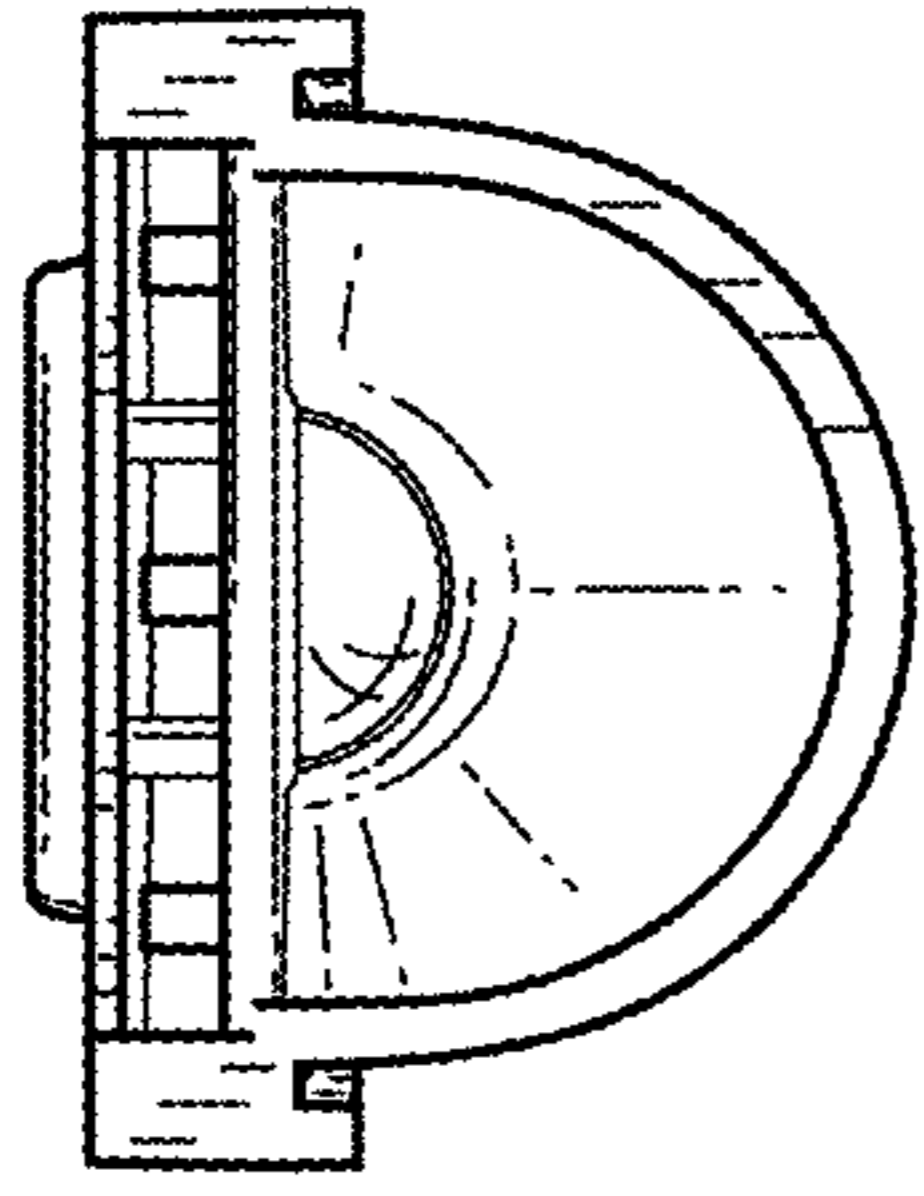


FIG. 6

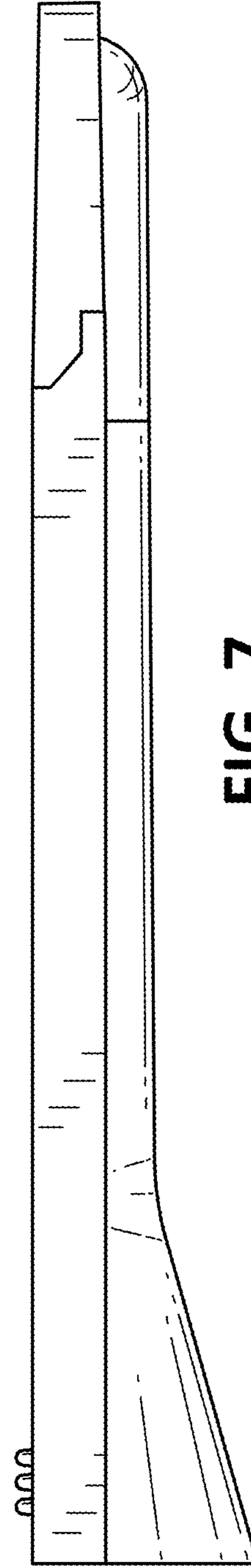


FIG. 7

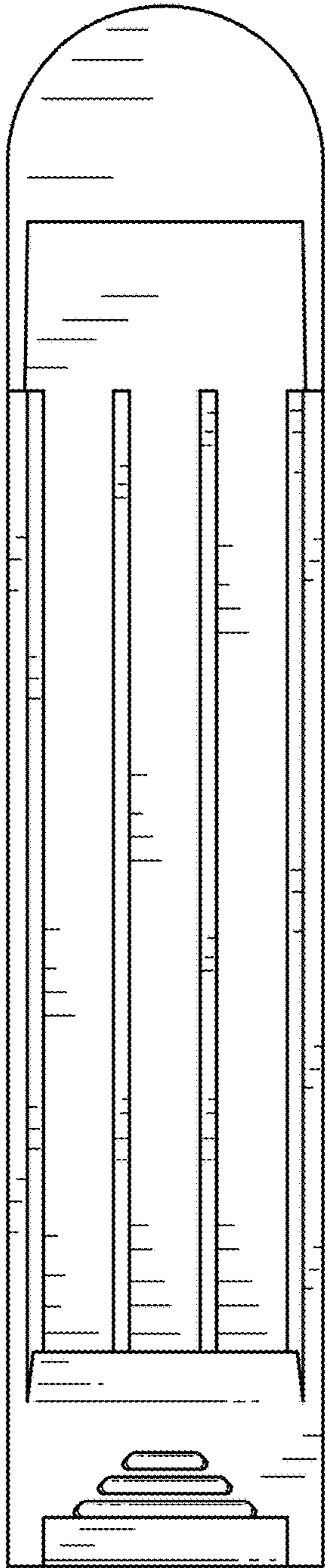


FIG. 8

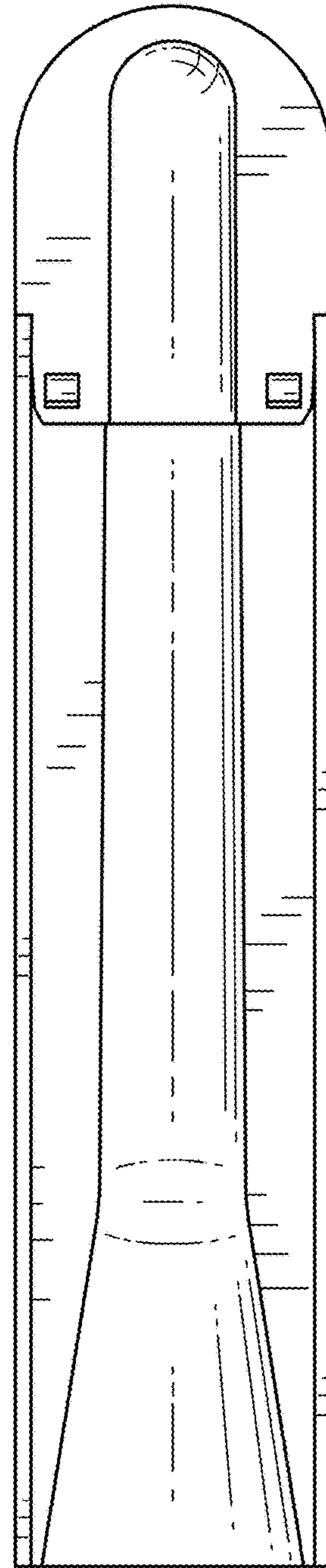


FIG. 9

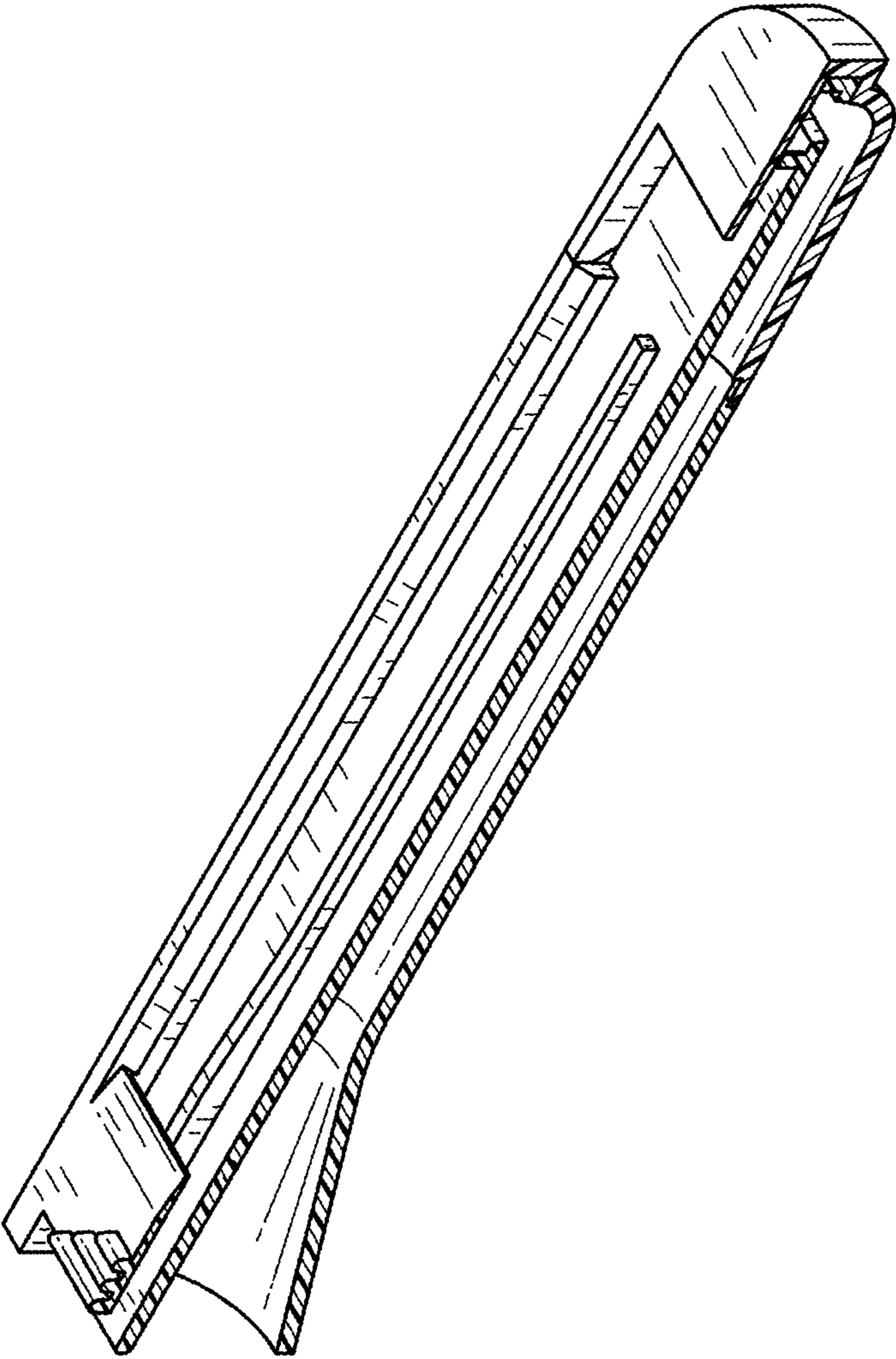


FIG. 10



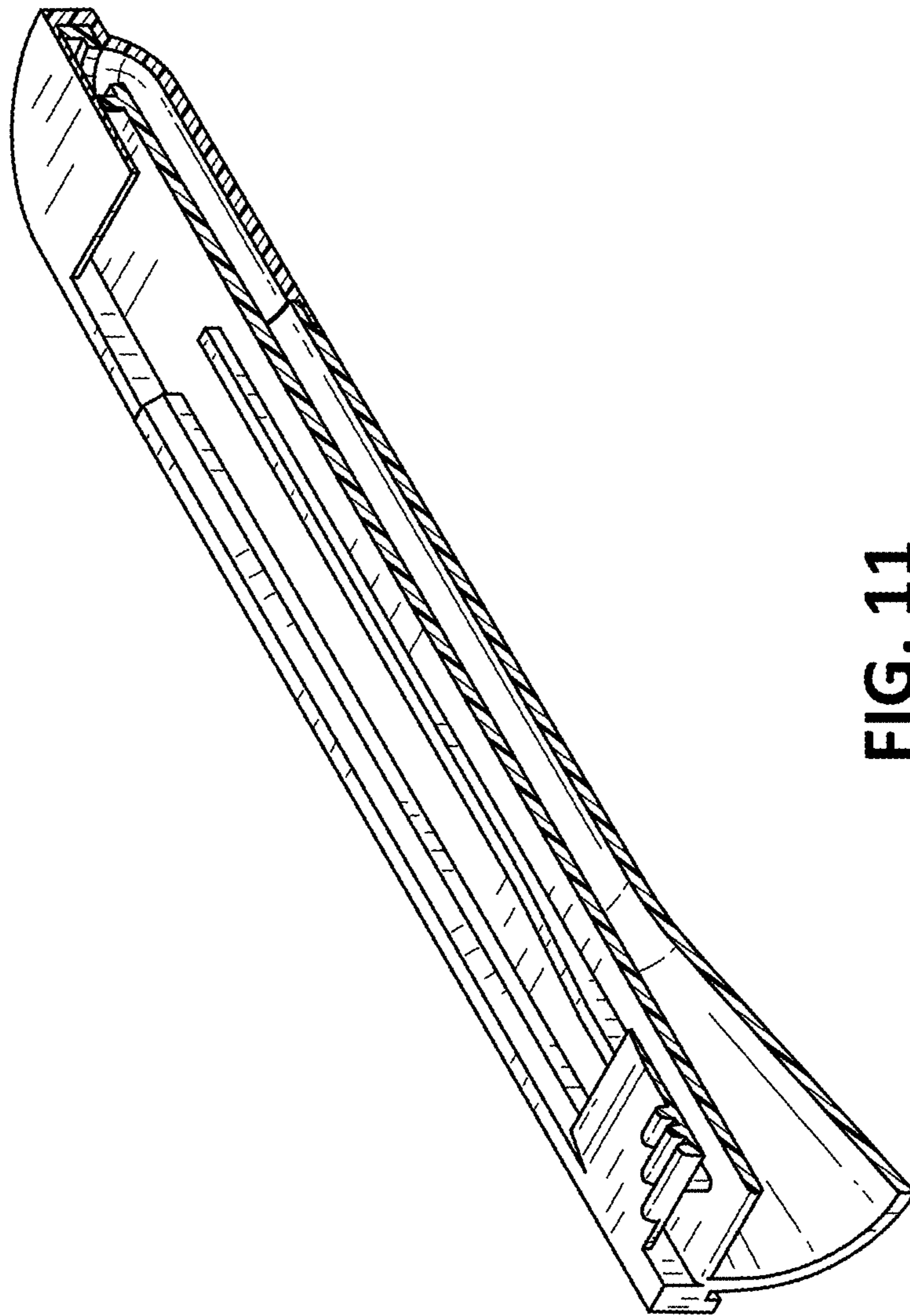


FIG. 11

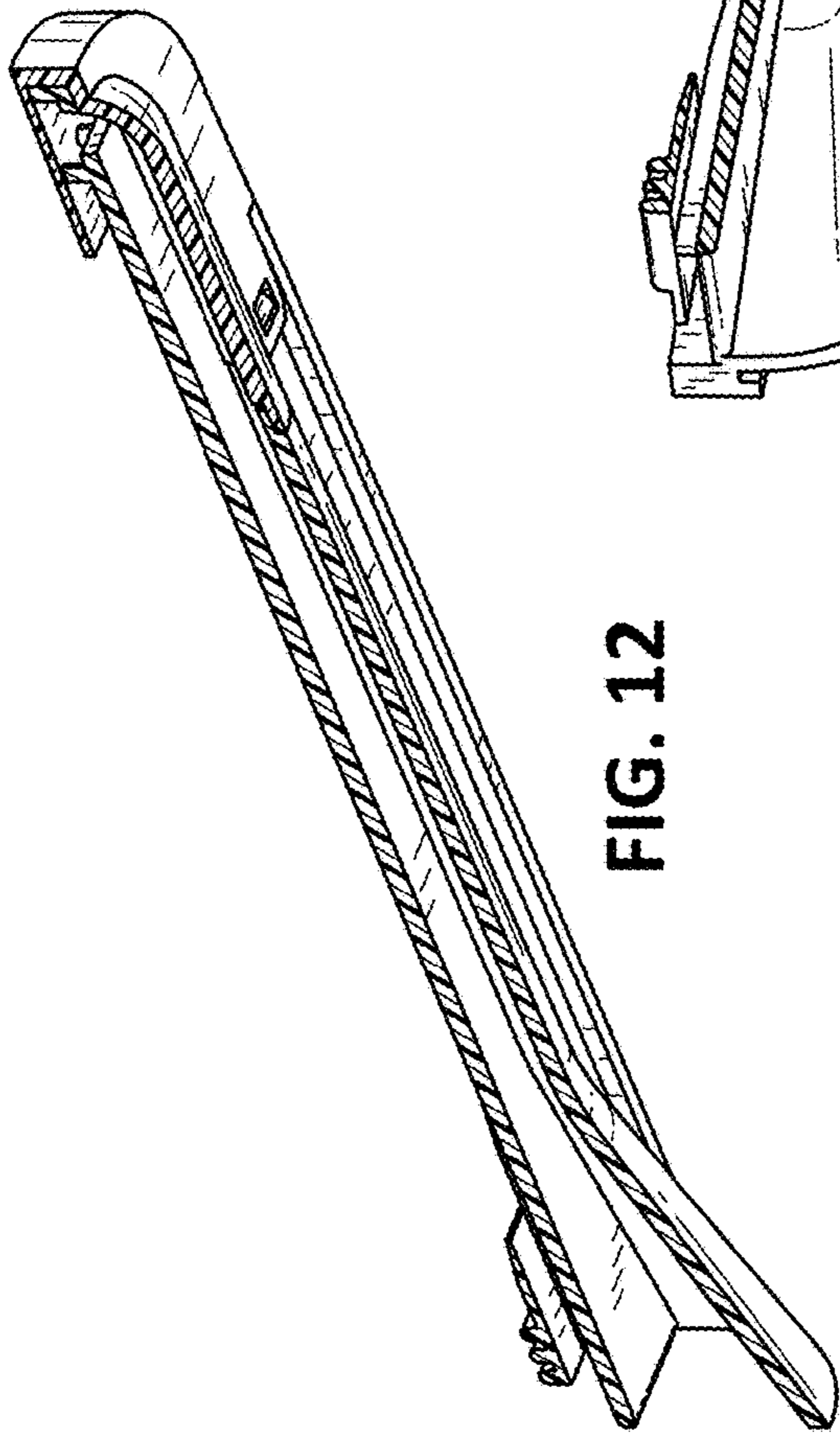


FIG. 12

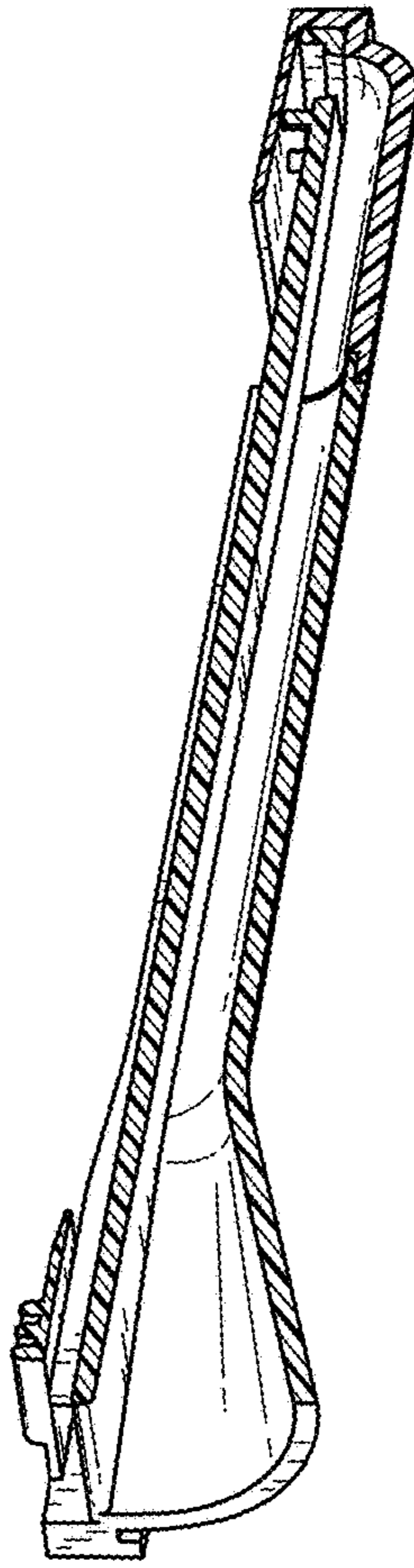


FIG. 13

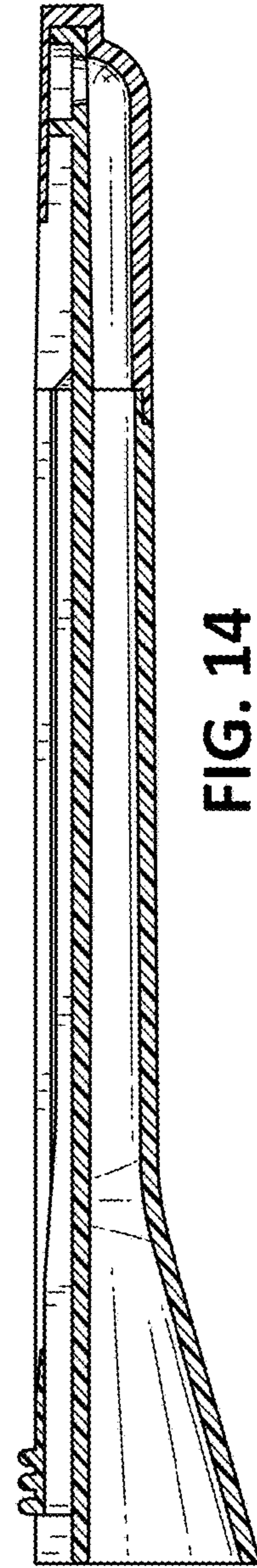


FIG. 14