



US00D834716S

(12) **United States Design Patent**  
**Shibayama et al.**

(10) **Patent No.:** **US D834,716 S**

(45) **Date of Patent:** **\*\* Nov. 27, 2018**

(54) **SPHYGMOMANOMETER**

(71) Applicant: **A&D COMPANY, LIMITED**, Tokyo  
(JP)

(72) Inventors: **Akihisa Shibayama**, Saitama (JP);  
**Kazuhiko Koyano**, Saitama (JP)

(73) Assignee: **A&D COMPANY, LIMITED**, Tokyo  
(JP)

(\*\*) Term: **15 Years**

(21) Appl. No.: **29/593,342**

(22) Filed: **Feb. 8, 2017**

(30) **Foreign Application Priority Data**

Oct. 21, 2016 (JP) ..... 2016-022988

(51) **LOC (11) Cl.** ..... **24-02**

(52) **U.S. Cl.**  
USPC ..... **D24/165**

(58) **Field of Classification Search**

USPC ..... D24/164–168, 186, 107; D10/75, 70, 78

CPC ..... A61B 5/0402; A61B 5/0404; A61B 5/021;

A61B 5/024; A61B 5/02438; A61B

5/681; A61B 2560/0205; A61B

2560/0462

See application file for complete search history.

(56) **References Cited**

**U.S. PATENT DOCUMENTS**

D373,419 S \* 9/1996 Muramatsu ..... D24/165

D449,890 S \* 10/2001 Semeriva ..... D24/165

D522,655 S \* 6/2006 Nakagawa ..... D24/165  
D550,844 S \* 9/2007 Gutmann ..... D24/165  
D690,815 S \* 10/2013 Uozumi ..... D24/165  
D719,658 S \* 12/2014 McDougall ..... D24/165  
D739,941 S \* 9/2015 Uozumi ..... D24/165  
D744,656 S \* 12/2015 Schempp ..... D24/165  
D777,924 S \* 1/2017 Ogihara ..... D24/165  
D806,250 S \* 12/2017 Im ..... D24/165  
2011/0208068 A1 \* 8/2011 Ariga ..... A61B 5/02233  
600/490  
2015/0112213 A1 \* 4/2015 Ikeda ..... A61B 5/02255  
600/490

\* cited by examiner

*Primary Examiner* — Anhdao Doan

(74) *Attorney, Agent, or Firm* — Roberts Mlotkowski  
Safran Cole & Calderon, P.C.

(57) **CLAIM**

The ornamental design for a sphygmomanometer, as shown and described.

**DESCRIPTION**

FIG. 1 is a front view of the sphygmomanometer, in a folded state;

FIG. 2 is a rear view of the sphygmomanometer;

FIG. 3 is an end view of the sphygmomanometer;

FIG. 4 is an opposite end view of the sphygmomanometer;

FIG. 5 is a right side view of the sphygmomanometer;

FIG. 6 is a left side view of the sphygmomanometer; and,

FIG. 7 is a perspective, front view of the sphygmomanometer.

**1 Claim, 7 Drawing Sheets**



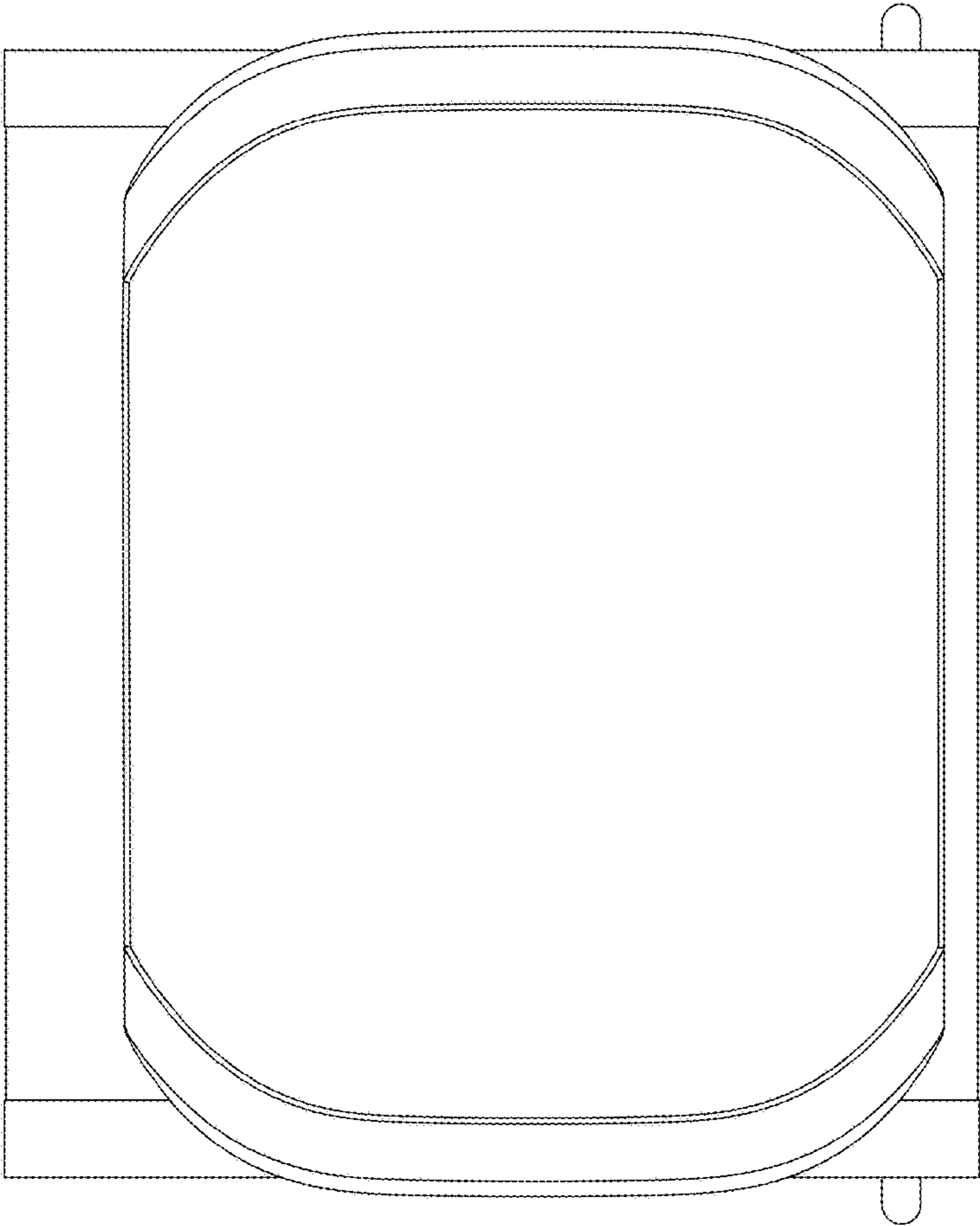


FIG. 1

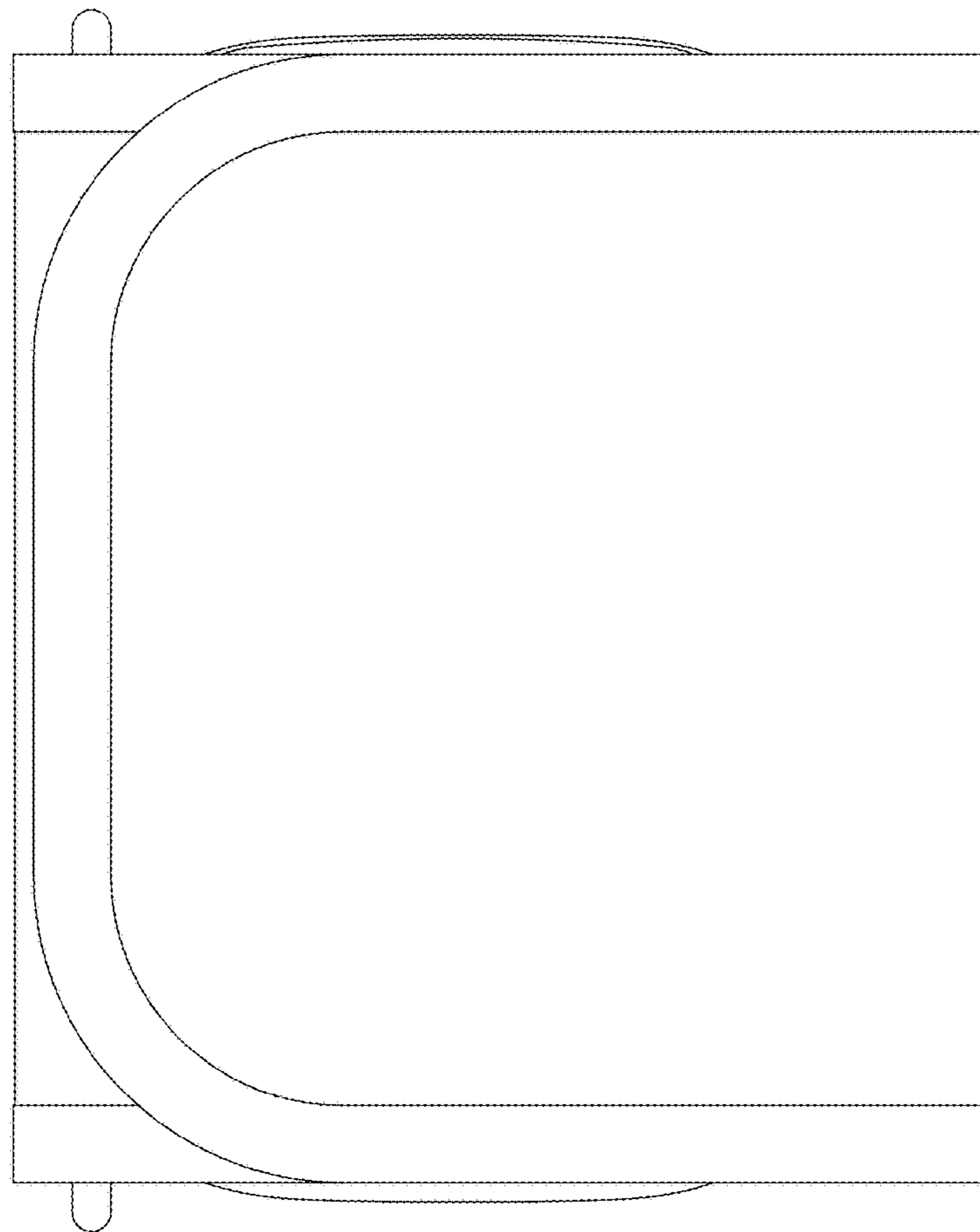


FIG. 2

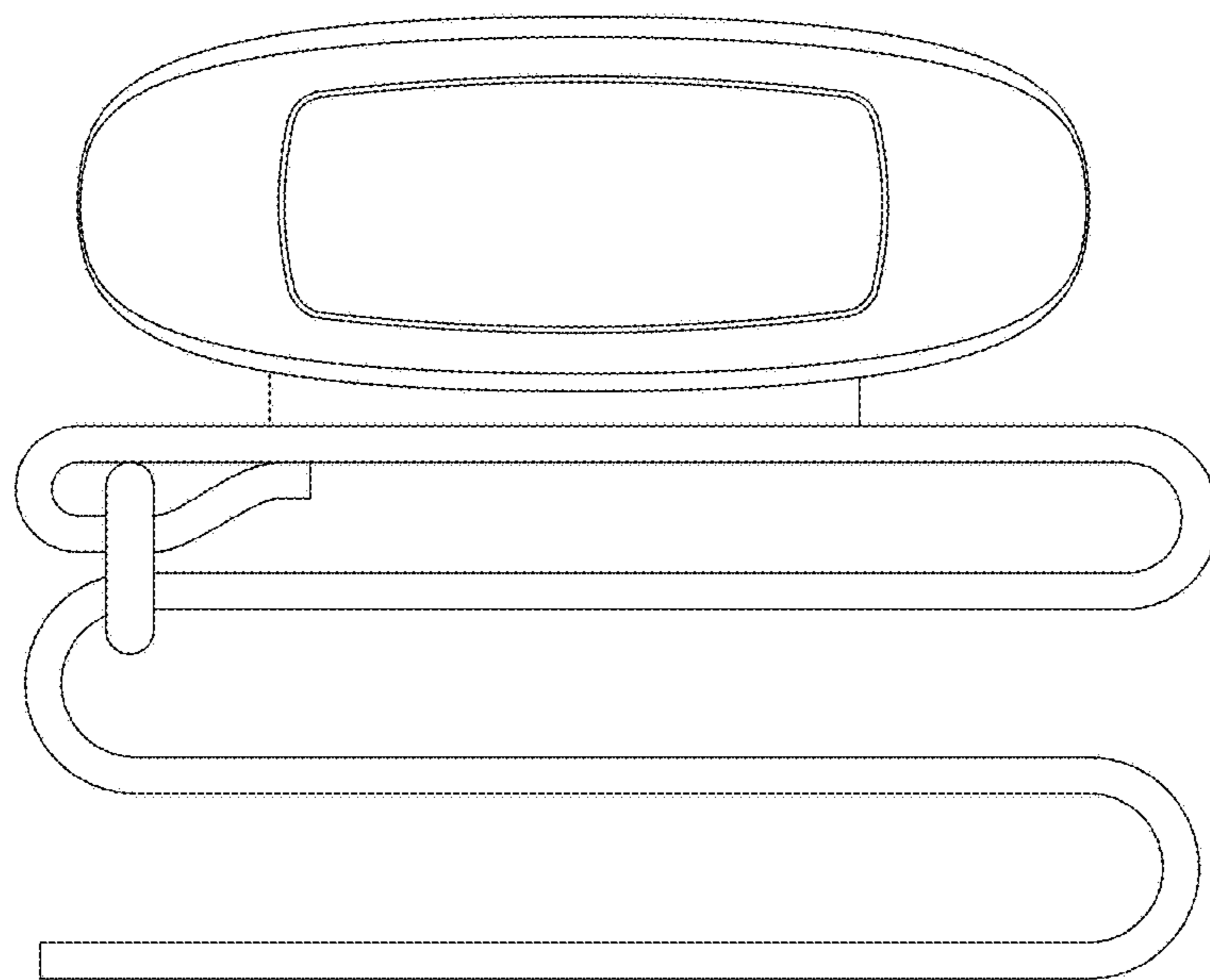


FIG. 3

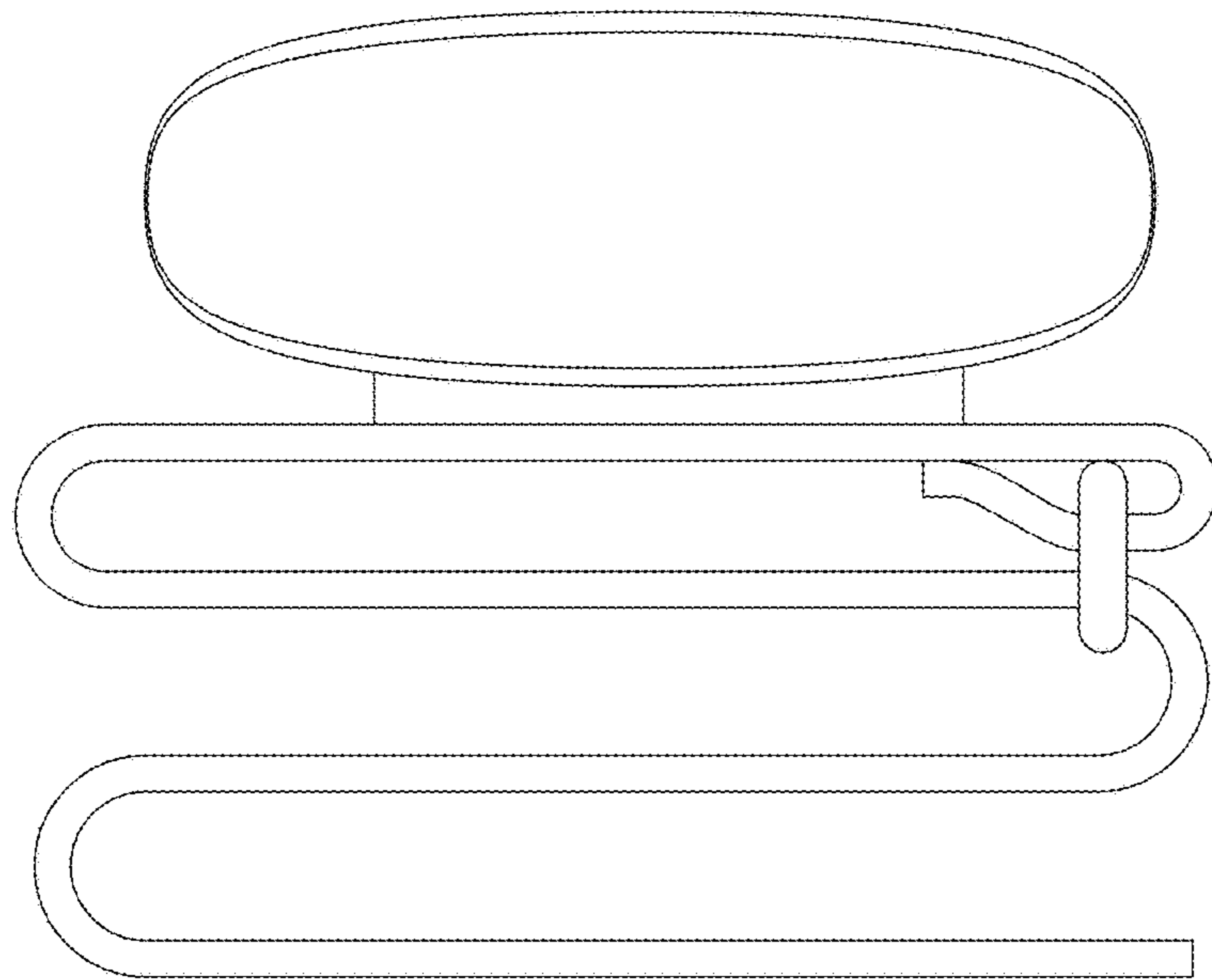


FIG. 4

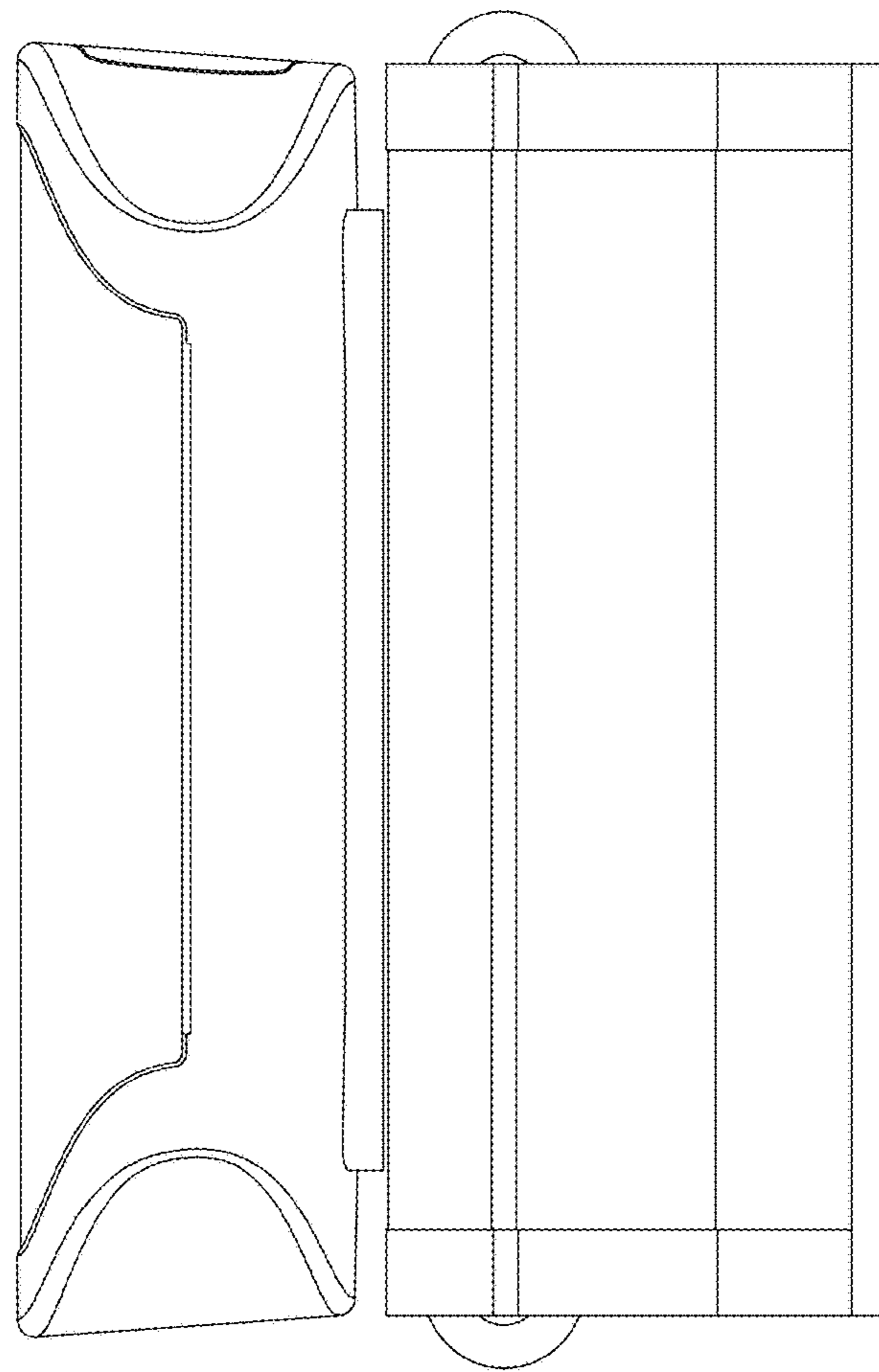


FIG. 5

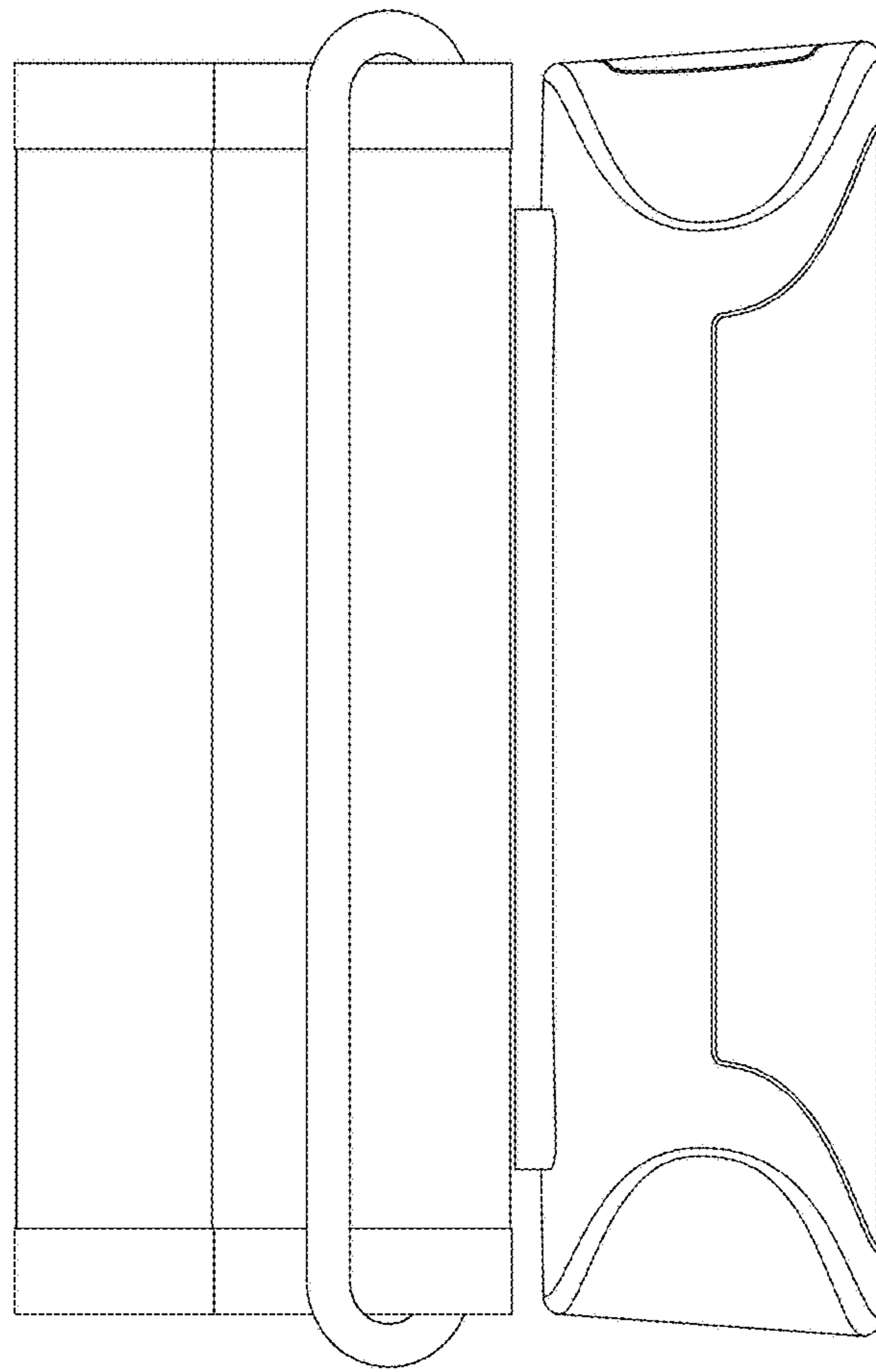


FIG. 6



FIG. 7