



US00D834711S

(12) **United States Design Patent** (10) **Patent No.:** **US D834,711 S**  
**Kyvik** (45) **Date of Patent:** **\*\* Nov. 27, 2018**

(54) **CATHETER AND CONNECTOR SECUREMENT DEVICE**  
(71) Applicant: **TIDI Products, LLC**, Neenah, WI (US)  
(72) Inventor: **Kurt T. Kyvik**, Satellite Beach, FL (US)  
(73) Assignee: **TIDI PRODUCTS, LCC**, Neenah, WI (US)

4,519,793 A 5/1985 Galindo  
4,699,616 A 10/1987 Nowak et al.  
4,717,385 A 1/1988 Cameron et al.  
4,767,411 A 8/1988 Edmunds  
4,822,342 A 4/1989 Brawner  
4,838,868 A 6/1989 Forgar et al.  
4,863,432 A 9/1989 Kvalo  
4,874,380 A 10/1989 Hesketh  
4,915,694 A 4/1990 Yamamoto et al.  
5,037,397 A 8/1991 Kalk et al.  
5,192,274 A 3/1993 Bierman  
5,215,532 A 6/1993 Atkinson  
5,219,336 A 6/1993 Wilk

(Continued)

(\*\*) Term: **15 Years**

(21) Appl. No.: **29/553,814**

(22) Filed: **Feb. 4, 2016**

(51) **LOC (11) Cl.** ..... **24-02**

(52) **U.S. Cl.**  
USPC ..... **D24/128**

(58) **Field of Classification Search**  
USPC ..... D24/127-131, 112-114, 133, 186;  
606/181, 185; 604/264, 523-528, 272,  
604/187, 158, 164.01-164.11, 181, 184,  
604/227; 600/101, 139, 143;  
128/200.24, 207.14, 207.15  
CPC ... A61M 25/065; A61M 5/42; A61M 25/0612  
See application file for complete search history.

(56) **References Cited**

U.S. PATENT DOCUMENTS

3,138,158 A 6/1964 Gordon et al.  
3,167,072 A 1/1965 Stone et al.  
3,826,254 A 7/1974 Mellor  
3,834,380 A 9/1974 Boyd  
3,918,446 A 11/1975 Buttaravoli  
3,973,565 A 8/1976 Steer  
4,129,128 A 12/1978 McFarlane  
4,250,880 A 2/1981 Gordon  
4,460,356 A 7/1984 Moseley  
4,490,141 A 12/1984 Lacko et al.

FOREIGN PATENT DOCUMENTS

CN 203123273 U 8/2013  
DE 200 20 326 U1 2/2001

(Continued)

*Primary Examiner* — David G Muller

(74) *Attorney, Agent, or Firm* — Boyle Fredrickson, S.C.

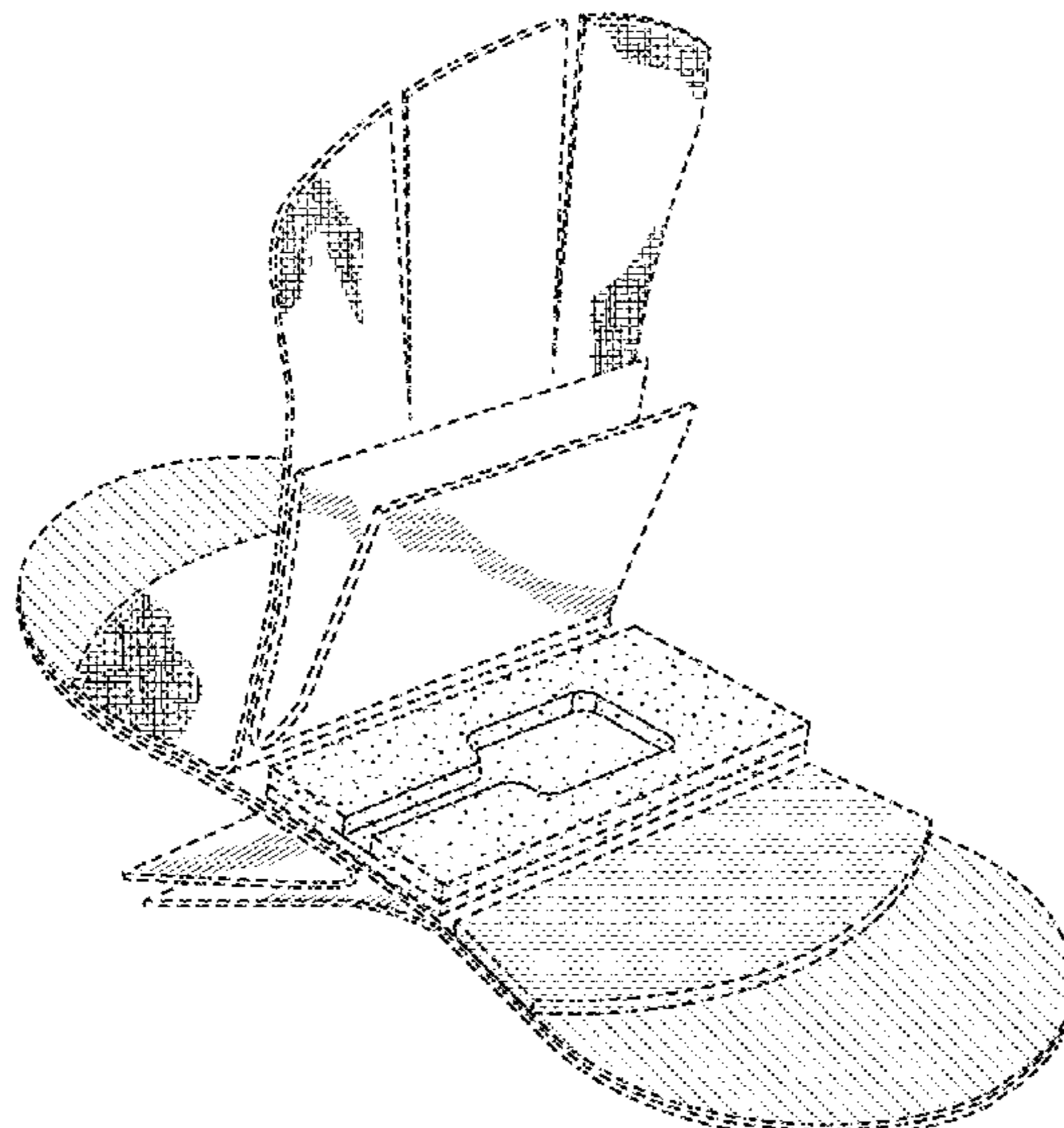
(57) **CLAIM**

The ornamental design for a catheter and connector securement device, as shown and described.

**DESCRIPTION**

FIG. 1 is a perspective view of the catheter and connector securement device shown in an open position; FIG. 2 is a top plan view thereof; FIG. 3 is a bottom plan view thereof; FIG. 4 is a right side elevation view thereof; FIG. 5 is a left side elevation view thereof; FIG. 6 is a rear elevation view thereof; and, FIG. 7 is a front elevation view thereof. The broken line showing of parts of the drawings is included for the purpose of illustrating use and environment and forms no part of the claimed design.

**1 Claim, 4 Drawing Sheets**



(56)

References Cited

U.S. PATENT DOCUMENTS

5,224,935 A 7/1993 Hollands  
 5,232,453 A 8/1993 Plass et al.  
 5,236,421 A 8/1993 Becher  
 5,282,791 A 2/1994 Lipton et al.  
 5,370,627 A 12/1994 Conway  
 5,380,294 A 1/1995 Persson  
 5,413,562 A 5/1995 Swauger  
 5,685,859 A 11/1997 Kornerup  
 6,273,873 B1 8/2001 Fleischer  
 6,419,660 B1 7/2002 Russo  
 6,428,516 B1 8/2002 Bierman  
 D470,936 S \* 2/2003 Bierman ..... D24/128  
 6,689,104 B2 2/2004 Bierman  
 D492,411 S 6/2004 Bierman  
 6,765,122 B1 7/2004 Stout  
 6,770,055 B2 8/2004 Bierman et al.  
 6,827,706 B2 12/2004 Tollini  
 6,837,875 B1 1/2005 Bierman  
 6,866,652 B2 3/2005 Bierman  
 D503,977 S 4/2005 Bierman  
 6,875,200 B1 4/2005 Ajagbe  
 6,929,625 B2 8/2005 Bierman  
 6,951,550 B2 10/2005 Bierman  
 6,979,320 B2 12/2005 Bierman  
 7,018,362 B2 3/2006 Bierman et al.  
 D528,206 S 9/2006 Bierman  
 7,137,968 B1 11/2006 Burrell et al.  
 D577,437 S \* 9/2008 Bierman ..... D24/128  
 7,524,307 B2 4/2009 Davis et al.  
 7,637,894 B2 12/2009 Fleischer  
 D608,444 S 1/2010 Kyvik et al.  
 D608,887 S 1/2010 Kyvik et al.  
 7,648,485 B2 1/2010 Fleischer  
 D616,091 S \* 5/2010 Kyvik ..... D24/128  
 D616,542 S 5/2010 Kyvik et al.  
 D616,983 S 6/2010 Kyvik et al.

7,766,880 B1 8/2010 Spinoza  
 D625,002 S \* 10/2010 Kyvik ..... D24/128  
 7,812,212 B2 10/2010 Propp et al.  
 D652,509 S 1/2012 Kyvik et al.  
 8,128,602 B2 3/2012 Tollini et al.  
 8,157,770 B2 4/2012 Elwell et al.  
 D663,834 S 7/2012 Kyvik et al.  
 8,241,253 B2 8/2012 Bracken  
 8,251,957 B2 8/2012 Kyvik et al.  
 8,500,698 B2 8/2013 Kyvik et al.  
 8,608,706 B2 12/2013 Davis et al.  
 D708,322 S \* 7/2014 Vitaris ..... A61M 25/02  
 D711,535 S \* 8/2014 Harrison ..... D24/128  
 D712,043 S \* 8/2014 Sliger ..... D24/133  
 8,834,427 B2 9/2014 Kyvik et al.  
 D715,926 S \* 10/2014 Suzuki ..... D24/128  
 D715,927 S \* 10/2014 Kyvik ..... D24/128  
 D715,928 S \* 10/2014 Kyvik ..... D24/128  
 D717,946 S \* 11/2014 Kyvik ..... D24/128  
 D734,455 S \* 7/2015 Kyvik ..... D24/128  
 9,248,259 B2 2/2016 Kyvik et al.  
 D755,962 S \* 5/2016 Adams ..... D24/128  
 2002/0195114 A1 12/2002 Tollini  
 2010/0298778 A1 11/2010 Bracken  
 2011/0021997 A1 1/2011 Kyvik et al.  
 2012/0316504 A1 12/2012 Kyvik et al.  
 2013/0096507 A1 4/2013 Lelievre  
 2013/0150796 A1 6/2013 Souza et al.  
 2016/0067451 A1 3/2016 Kyvik et al.

FOREIGN PATENT DOCUMENTS

EP 0408369 A1 1/1991  
 GB 2 464 662 A 2/2010  
 KR 20-2008-0004611 10/2008  
 KR 10-2010-0114171 10/2010

\* cited by examiner

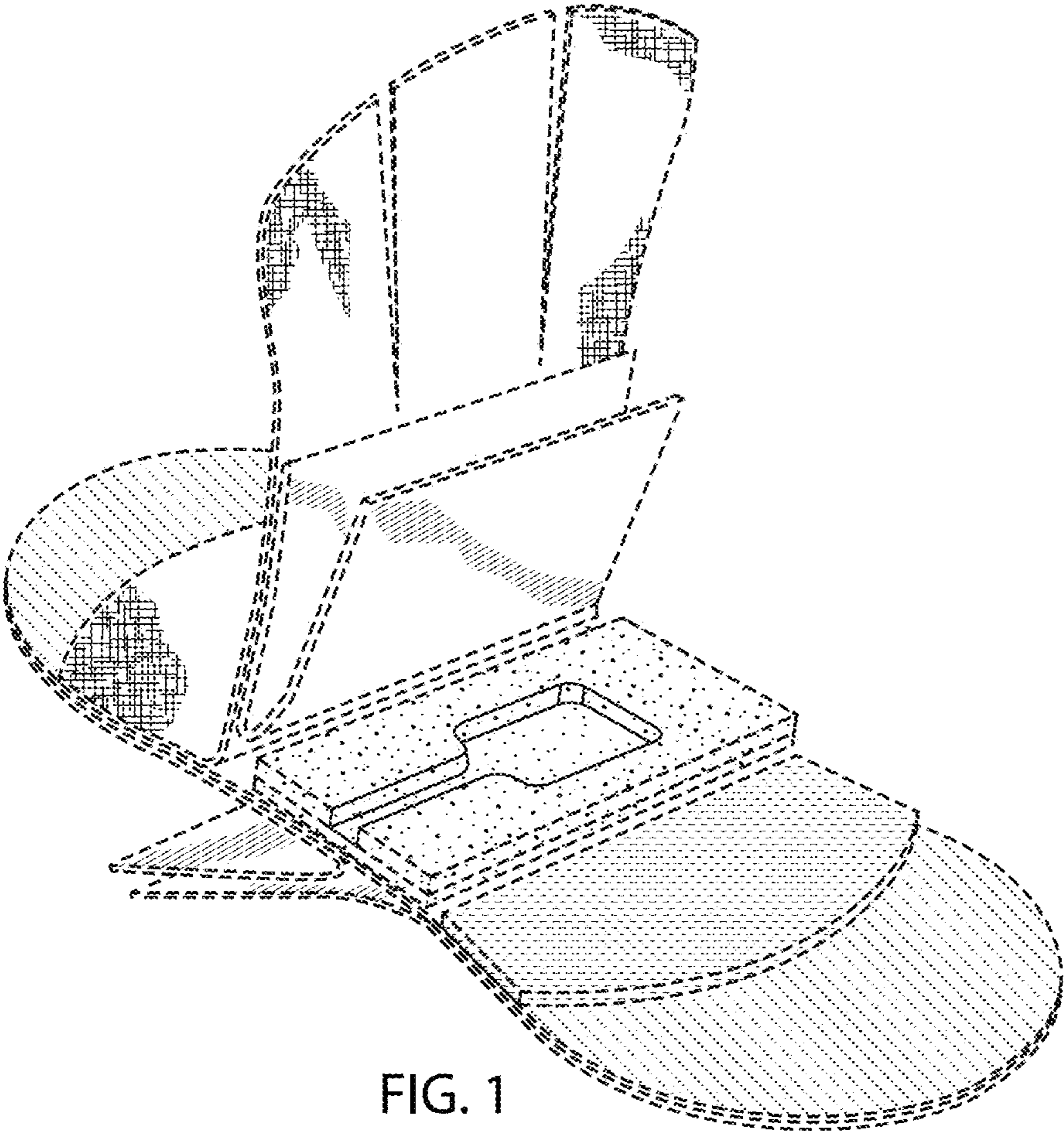


FIG. 1

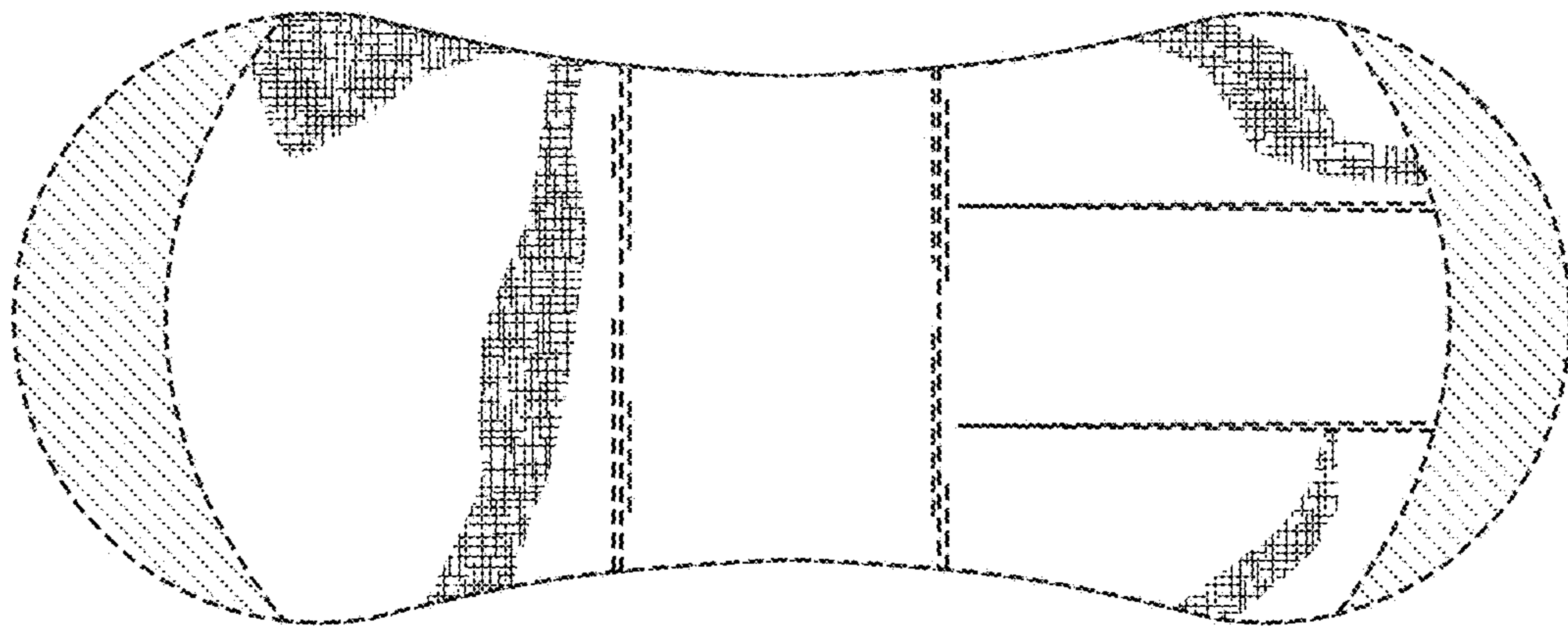


FIG. 2

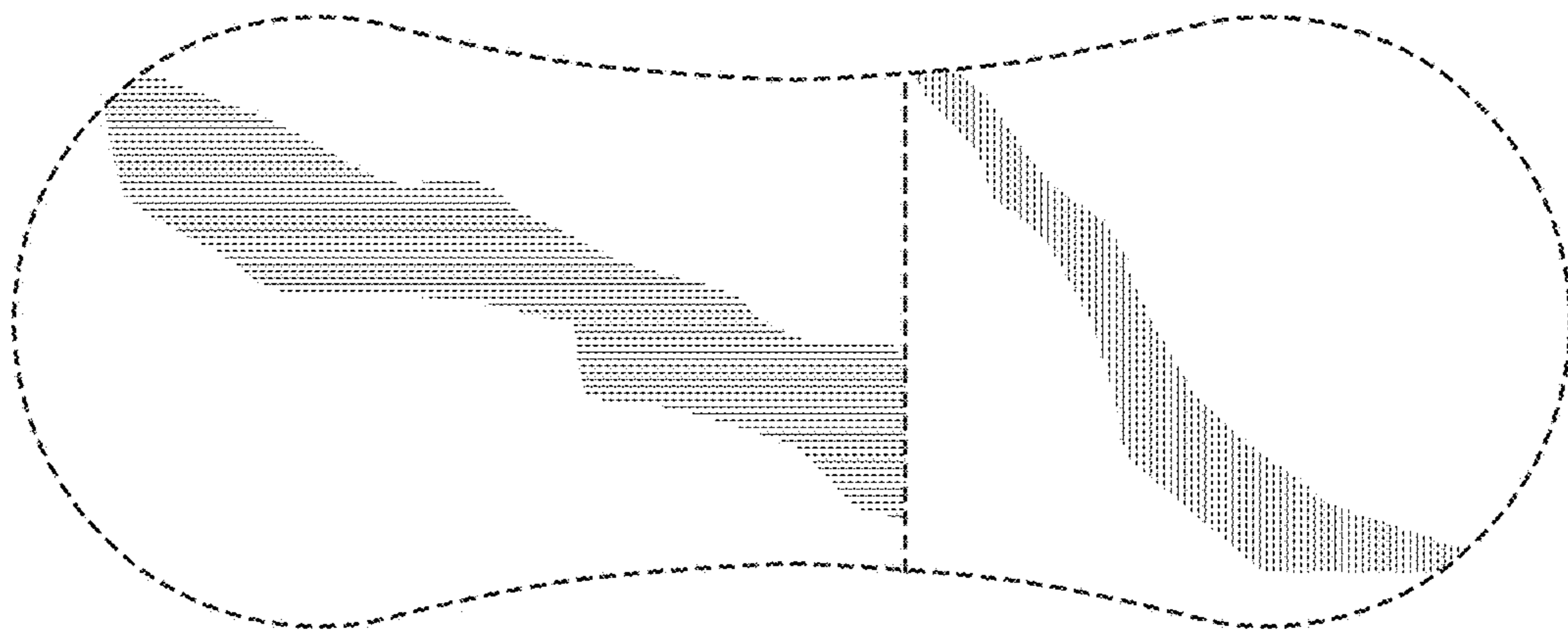


FIG. 3

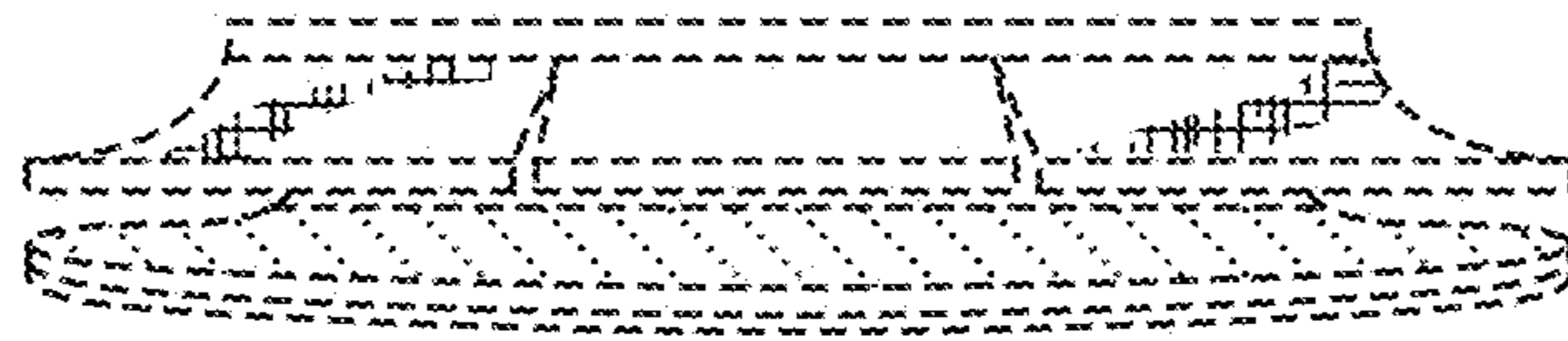


FIG. 4

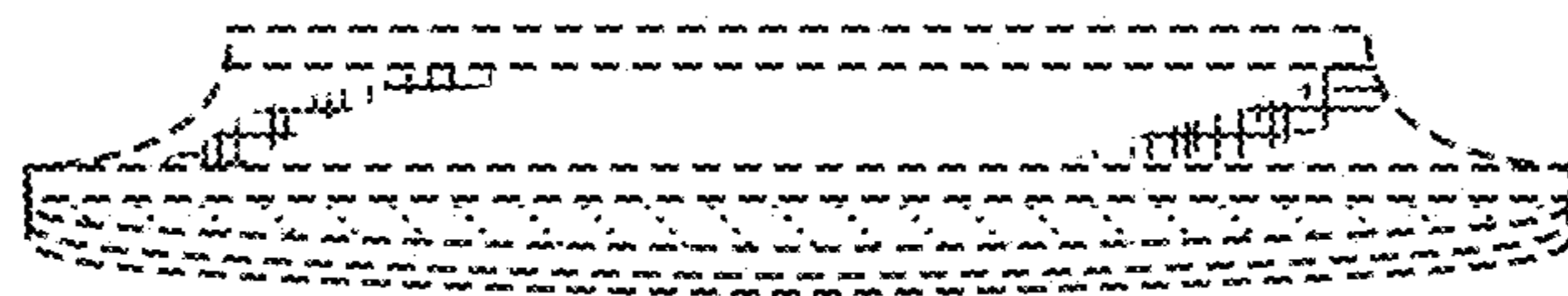


FIG. 5

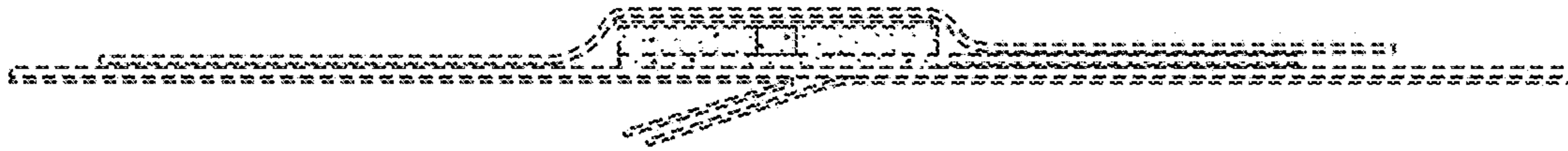


FIG. 6

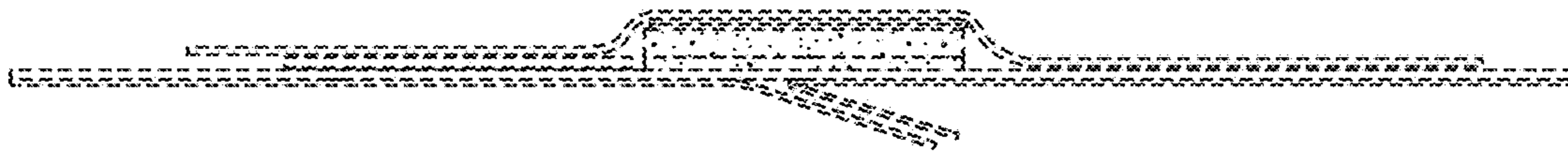


FIG. 7