



US00D834710S

(12) **United States Design Patent**
Michael

(10) **Patent No.:** **US D834,710 S**
(45) **Date of Patent:** **** Nov. 27, 2018**

(54) **DISPLAY UNIT FOR INJECTION DEVICE**

(71) Applicant: **InsuLog Ltd.**, Ramat-Gan (IL)

(72) Inventor: **Menash Michael**, Hofit (IL)

(73) Assignee: **InsuLog Ltd.**, Ramat-Gan (IL)

(**) Term: **15 Years**

(21) Appl. No.: **29/591,647**

(22) Filed: **Jan. 23, 2017**

(30) **Foreign Application Priority Data**

Jul. 27, 2016 (IL) 58905

(51) **LOC (11) Cl.** **24-02**

(52) **U.S. Cl.**
USPC **D24/127**

(58) **Field of Classification Search**
USPC D24/112-114, 108, 133, 130, 127, 186;
606/181, 185; 604/264, 272, 187, 181,
604/184, 227
CPC A61M 5/178; A61M 3/00; A61M 5/20;
A61M 5/31; A61M 5/3146; A61M
5/3129; A61M 5/3148; A61M 5/315
See application file for complete search history.

(56) **References Cited**

U.S. PATENT DOCUMENTS

4,208,588 A * 6/1980 Rudin A61M 5/1785
250/496.1
D397,217 S * 8/1998 Brookfield D24/130

D547,859 S * 7/2007 Choi D24/113
D603,968 S * 11/2009 Brefka D24/186
D661,388 S * 6/2012 Clark D24/130
8,287,500 B2 * 10/2012 Baba A61M 5/31596
604/122
D714,948 S * 10/2014 Vaccarella D24/186
D732,410 S * 6/2015 Waaler D10/81
D755,372 S * 5/2016 Masumoto D24/130
D802,759 S * 11/2017 Guala D24/129
D804,659 S * 12/2017 Hood D24/128
D811,584 S * 2/2018 Cabiri D24/111
D812,232 S * 3/2018 Chin D24/186

* cited by examiner

Primary Examiner — David G Muller

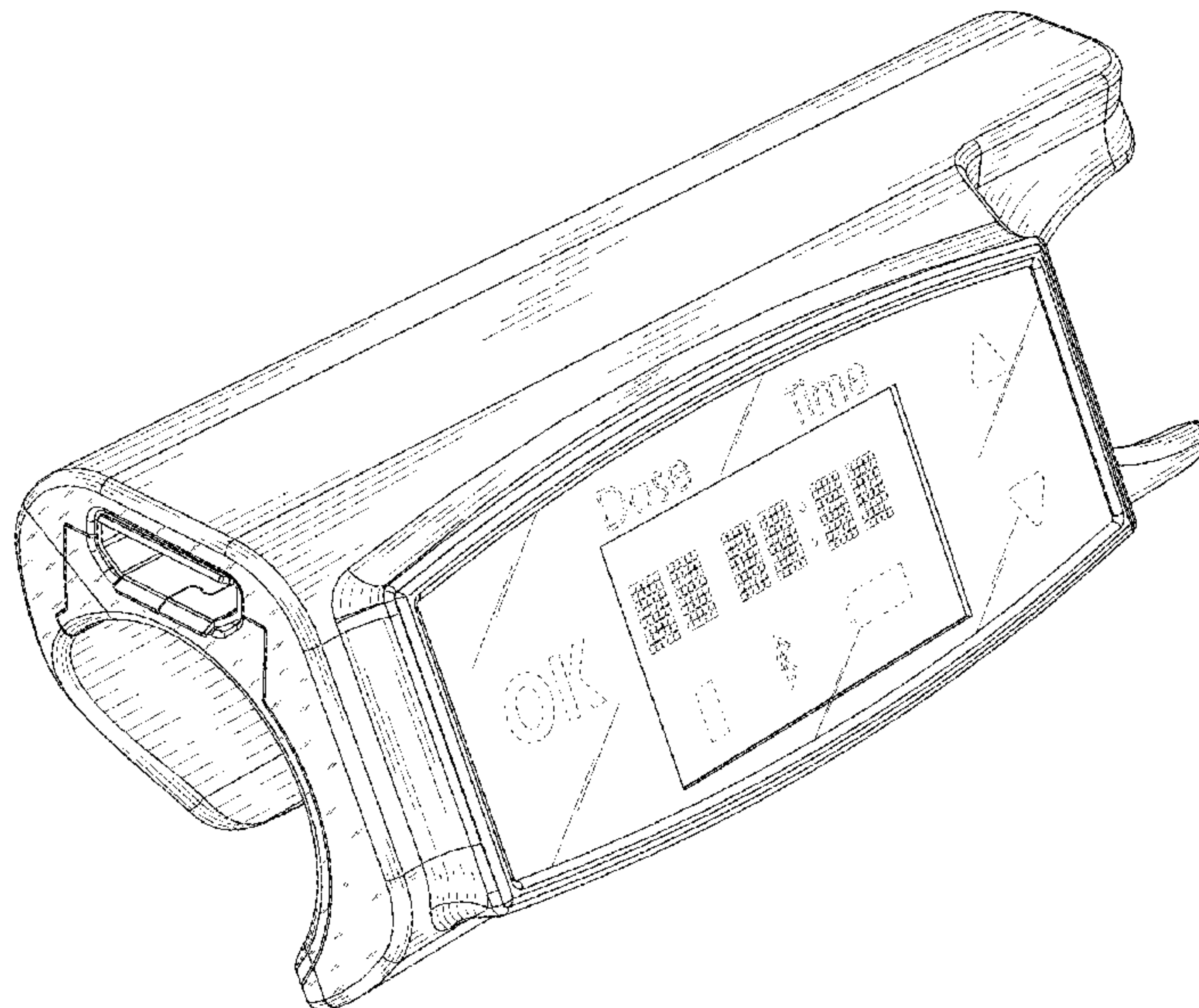
(57) **CLAIM**

The ornamental design for a display unit for injection device, as shown and described.

DESCRIPTION

FIG. 1 is a left perspective view of a display unit for injection device showing my new design; FIG. 2 is a right perspective view thereof; FIG. 3 is a front perspective view thereof; FIG. 4 is a front view thereof; FIG. 5 is a rear view thereof; FIG. 6 is a right side view thereof; and, FIG. 7 is a left side view thereof. The broken line showing of parts of the drawings is included for the purpose of illustrating use and environment and forms no part of the claimed design.

1 Claim, 7 Drawing Sheets



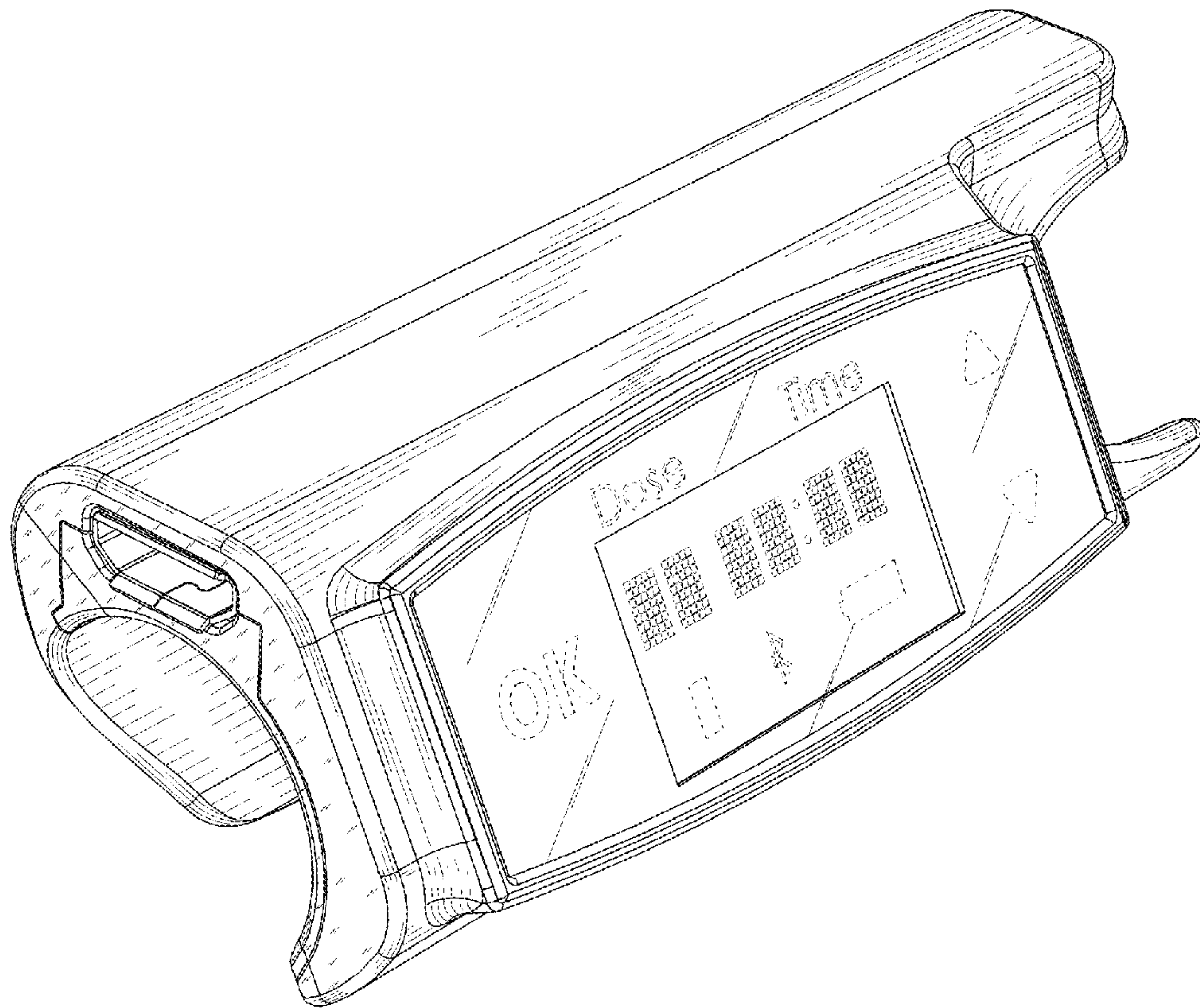


FIG. 1

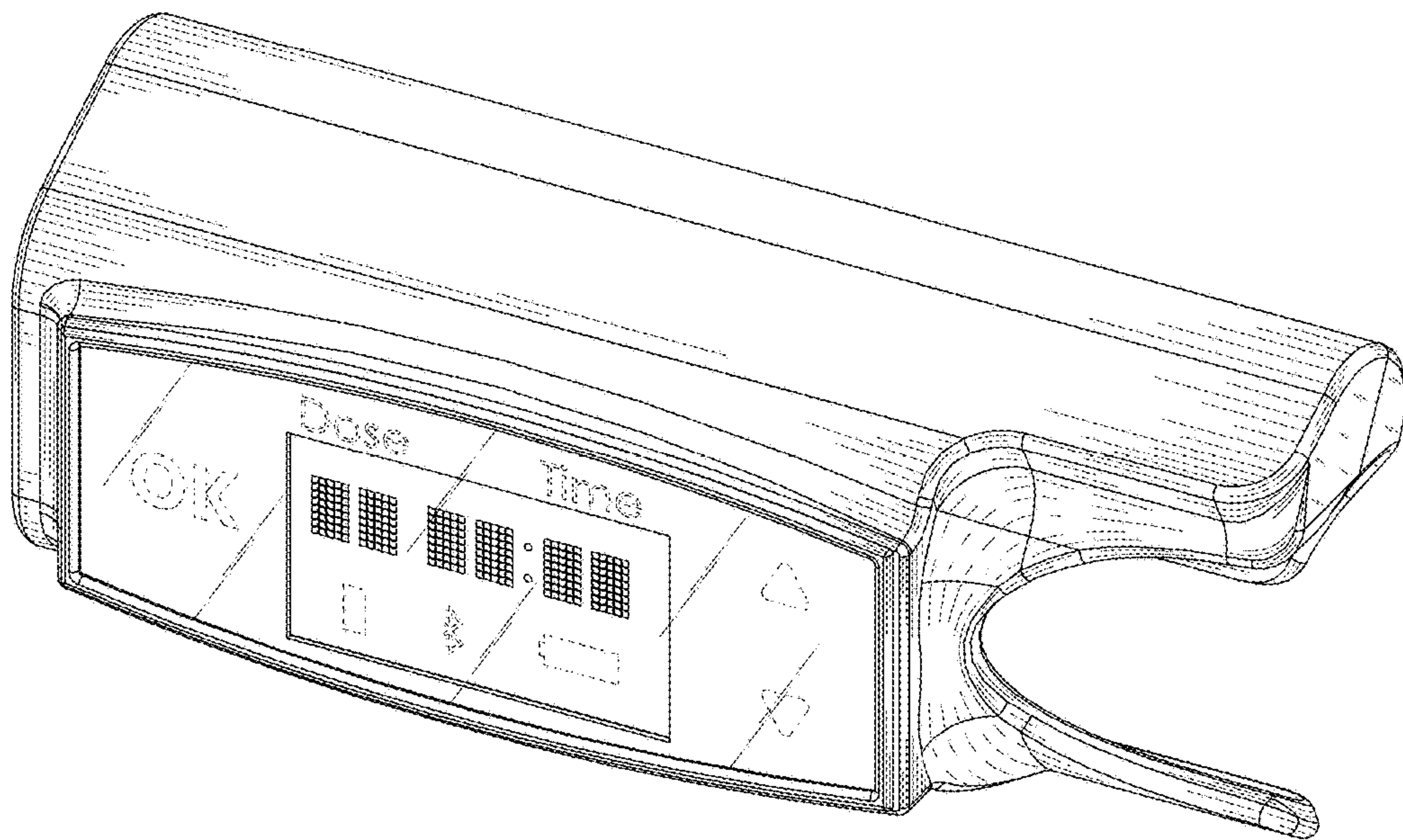


FIG. 2

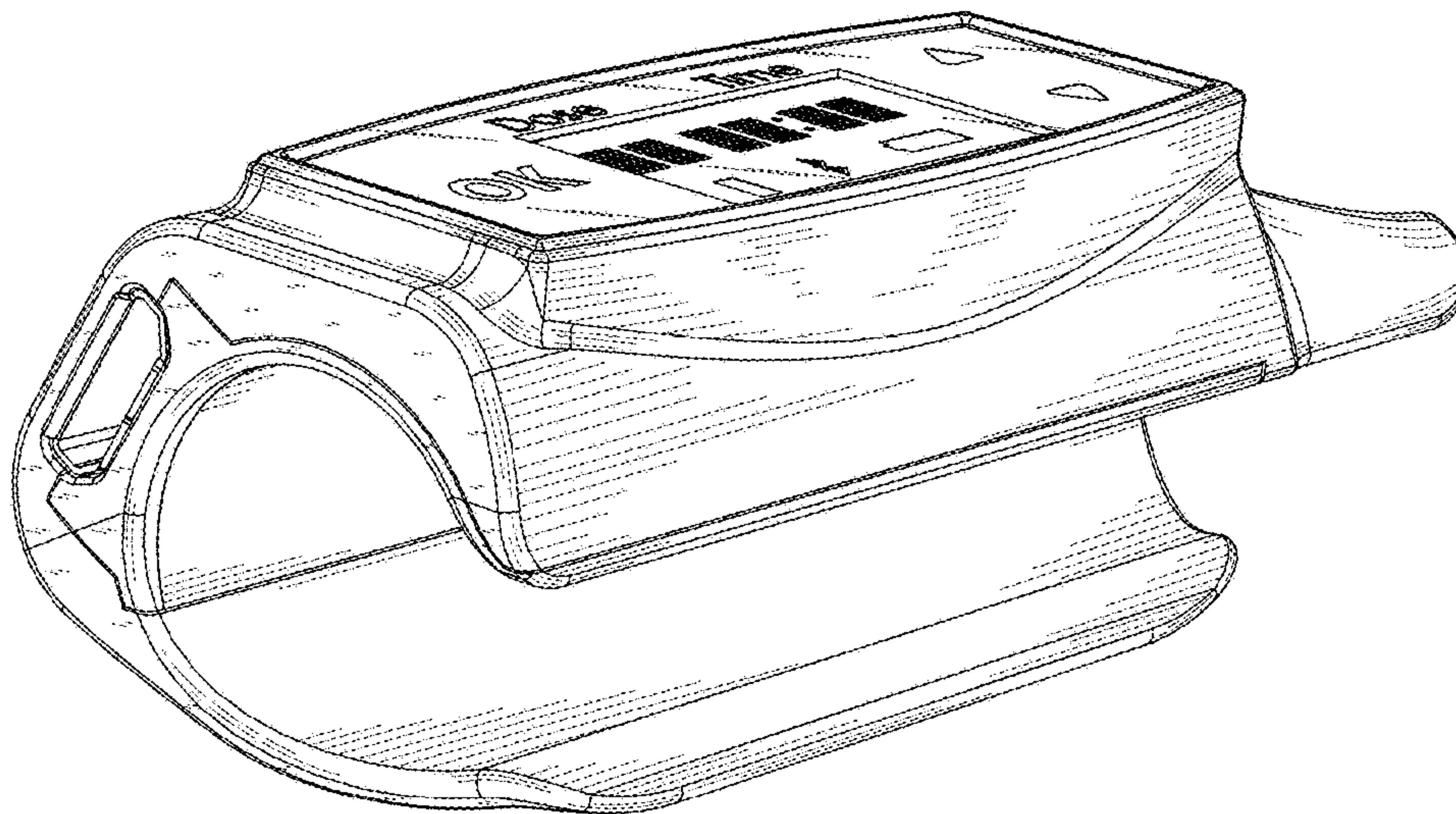


FIG. 3

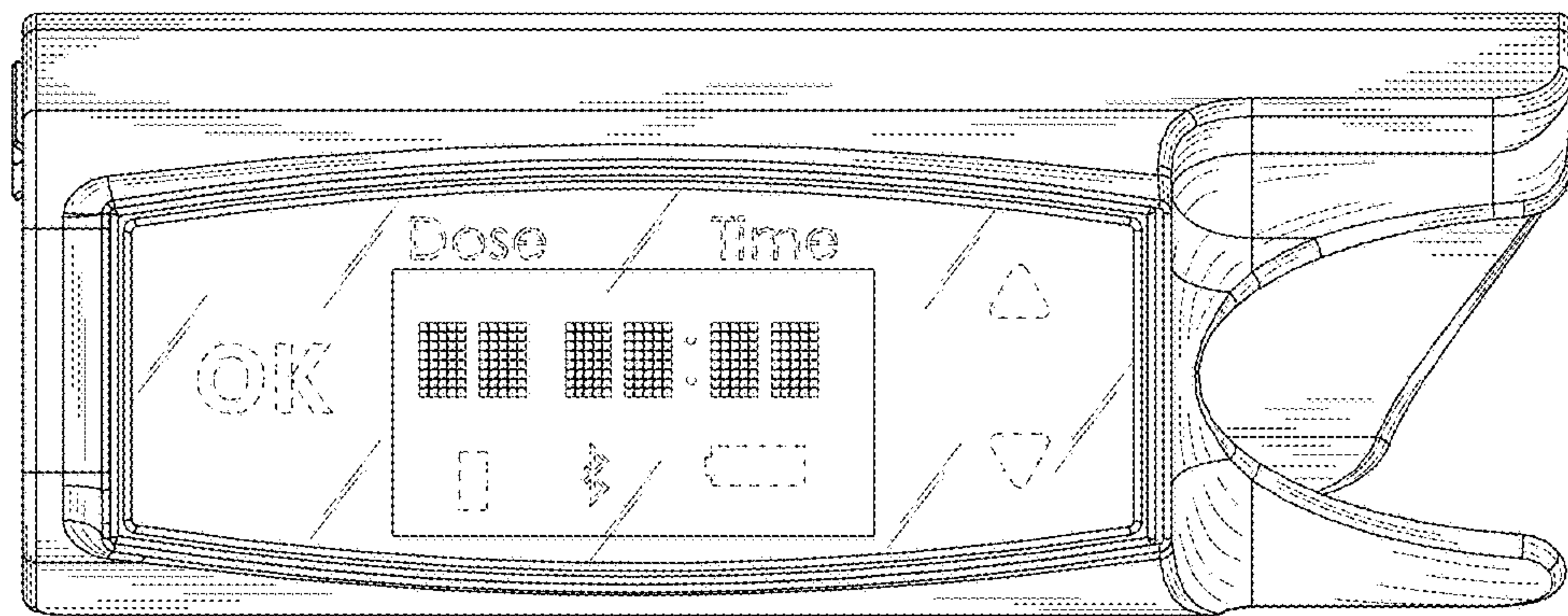


FIG. 4

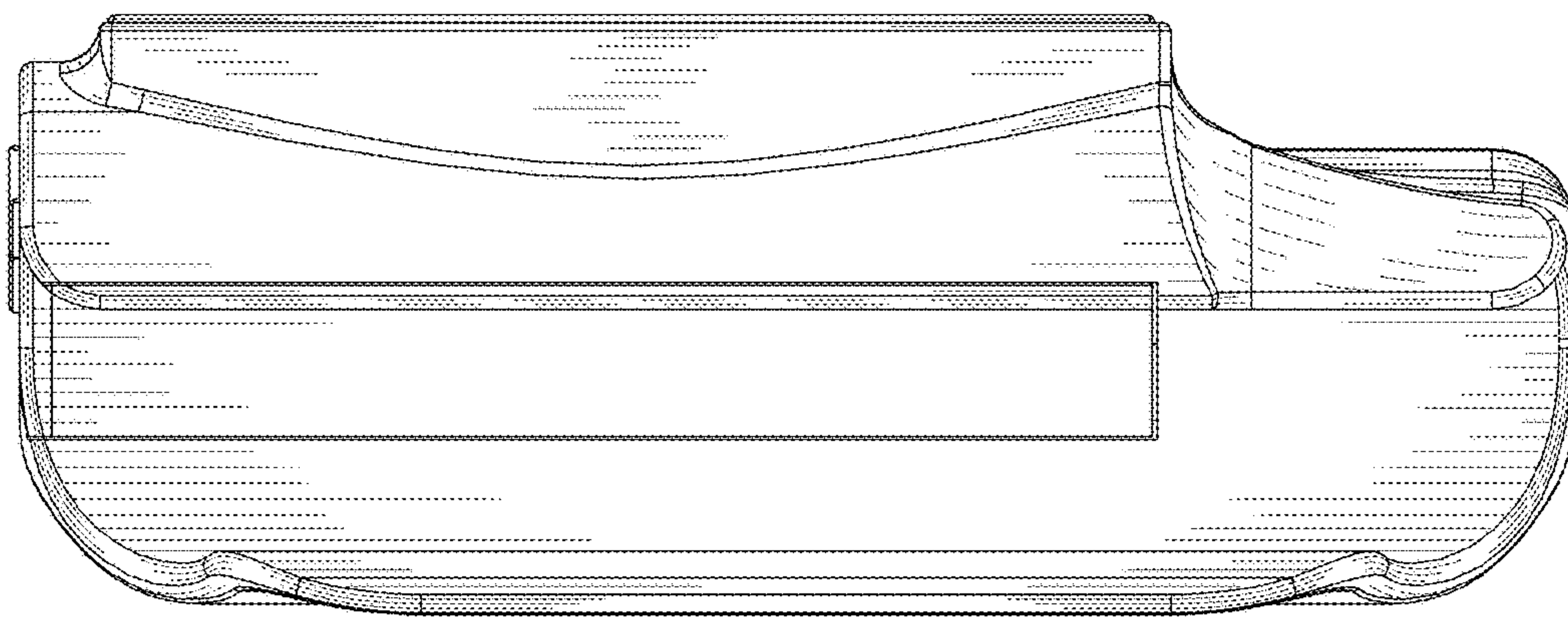


FIG. 5

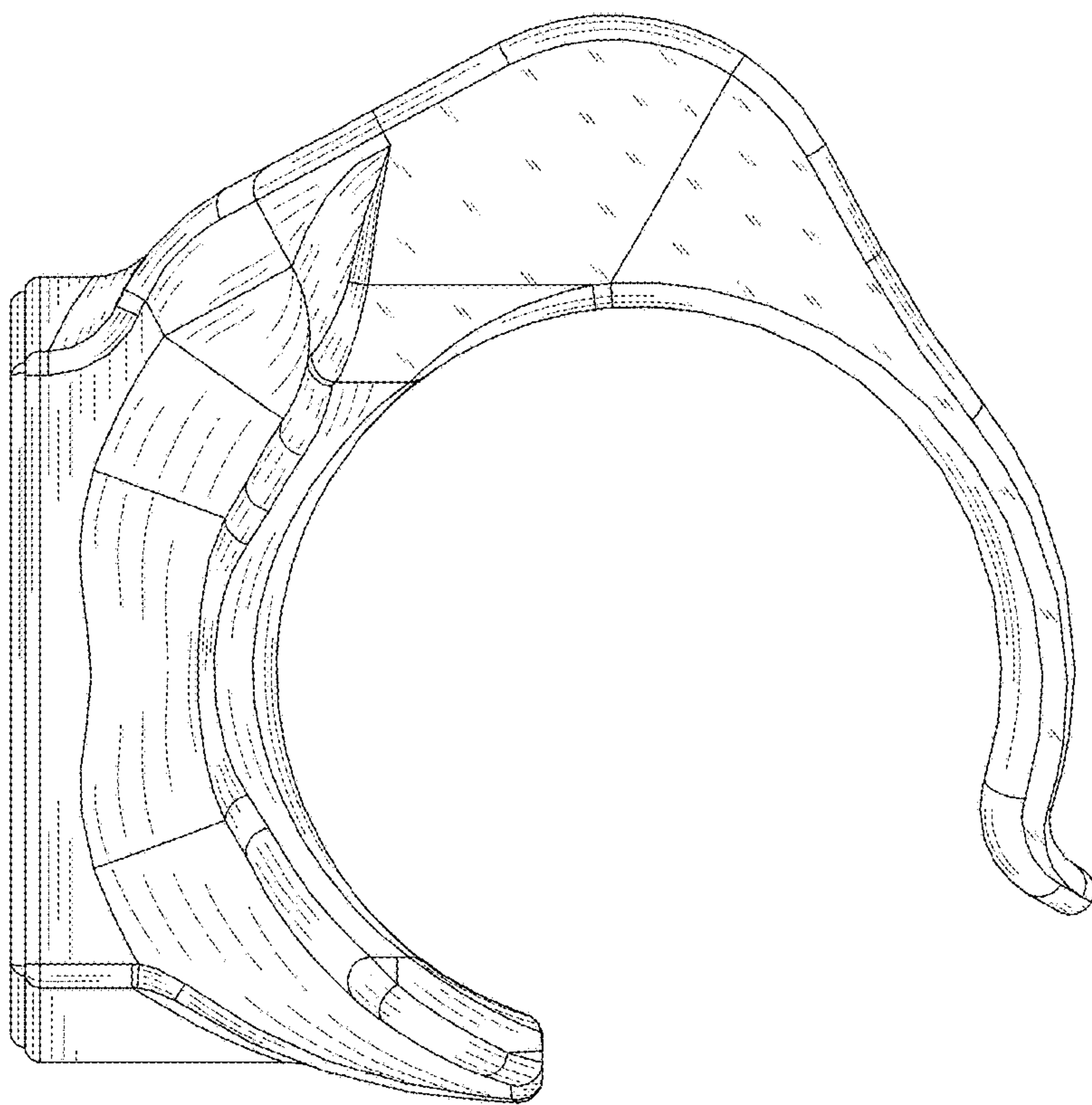


FIG. 6

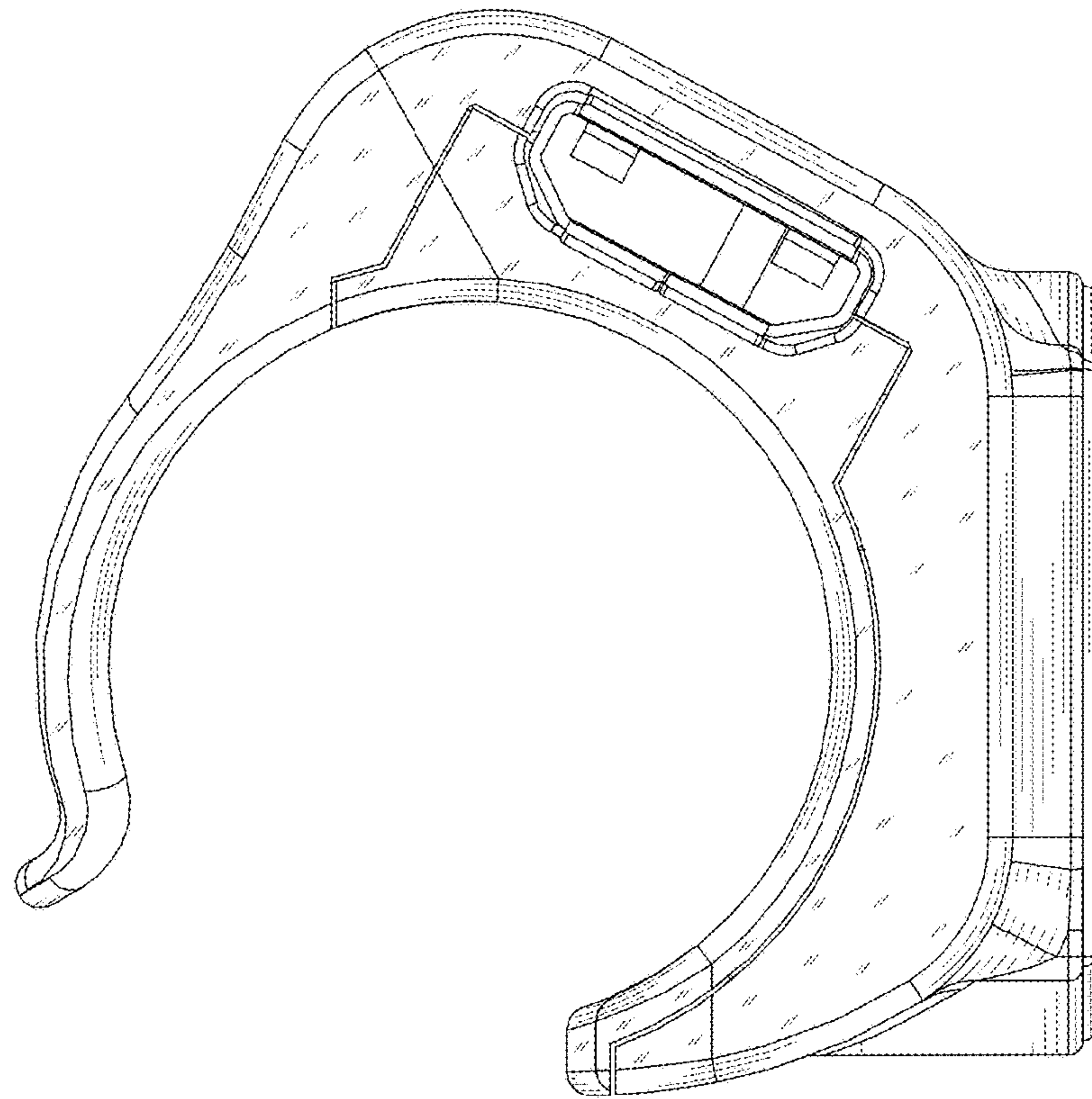


FIG. 7