



US00D834708S

(12) **United States Design Patent**
Glocker et al.

(10) **Patent No.:** **US D834,708 S**

(45) **Date of Patent:** **** Nov. 27, 2018**

(54) **INJECTION DEVICE**

(71) Applicant: **Vetter Pharma-Fertigung GmbH & Co. KG**, Ravensburg (DE)

(72) Inventors: **Joachim Glocker**, Ravensburg (DE);
Roland Limbeck, Biberach (DE);
Tilman Roedle, Wolfegg (DE); **Sarah Kuehnle**, Friedrichshafen (DE); **Yossef Schvetz**, Sesto San Giovanni (IT);
Daniele Pesaresi, Reggio Emilia (IT)

(73) Assignee: **Vetter Pharma-Fertigung GmbH & Co. KG**, Ravensburg (DE)

(**) Term: **15 Years**

(21) Appl. No.: **29/615,986**

(22) Filed: **Sep. 1, 2017**

(30) **Foreign Application Priority Data**

Mar. 3, 2017 (EM) 003782416-0001

(51) **LOC (11) Cl.** **24-02**

(52) **U.S. Cl.**
USPC **D24/113**

(58) **Field of Classification Search**
USPC D24/112-114, 108, 133, 130, 127, 186;
606/181, 185; 604/264, 272, 187, 181,
604/184, 227
CPC A61M 5/178; A61M 3/00; A61M 5/20;
A61M 5/31; A61M 5/3146; A61M
5/3129; A61M 5/3148; A61M 5/315
See application file for complete search history.

(56) **References Cited**

U.S. PATENT DOCUMENTS

D455,209 S * 4/2002 Himbert D24/112
7,998,087 B2 * 8/2011 Amano A61B 5/14532
204/403.01

D650,070 S * 12/2011 Mori D24/113
8,419,764 B2 * 4/2013 Begg A61B 17/3494
606/185
D732,410 S * 6/2015 Waaler D10/81
D737,958 S * 9/2015 Pieroni D24/112
D745,662 S * 12/2015 Chen D24/112
D745,663 S * 12/2015 Chen D24/112
D746,976 S * 1/2016 Chen D24/112
D748,782 S * 2/2016 Zhang D24/133
9,289,551 B2 * 3/2016 Hata A61M 5/20
9,734,361 B2 * 8/2017 Aoki G06K 5/00
9,744,310 B2 * 8/2017 Kondoh A61M 5/20

* cited by examiner

Primary Examiner — David Muller

(74) *Attorney, Agent, or Firm* — Muncy, Geissler, Olds & Lowe, P.C.

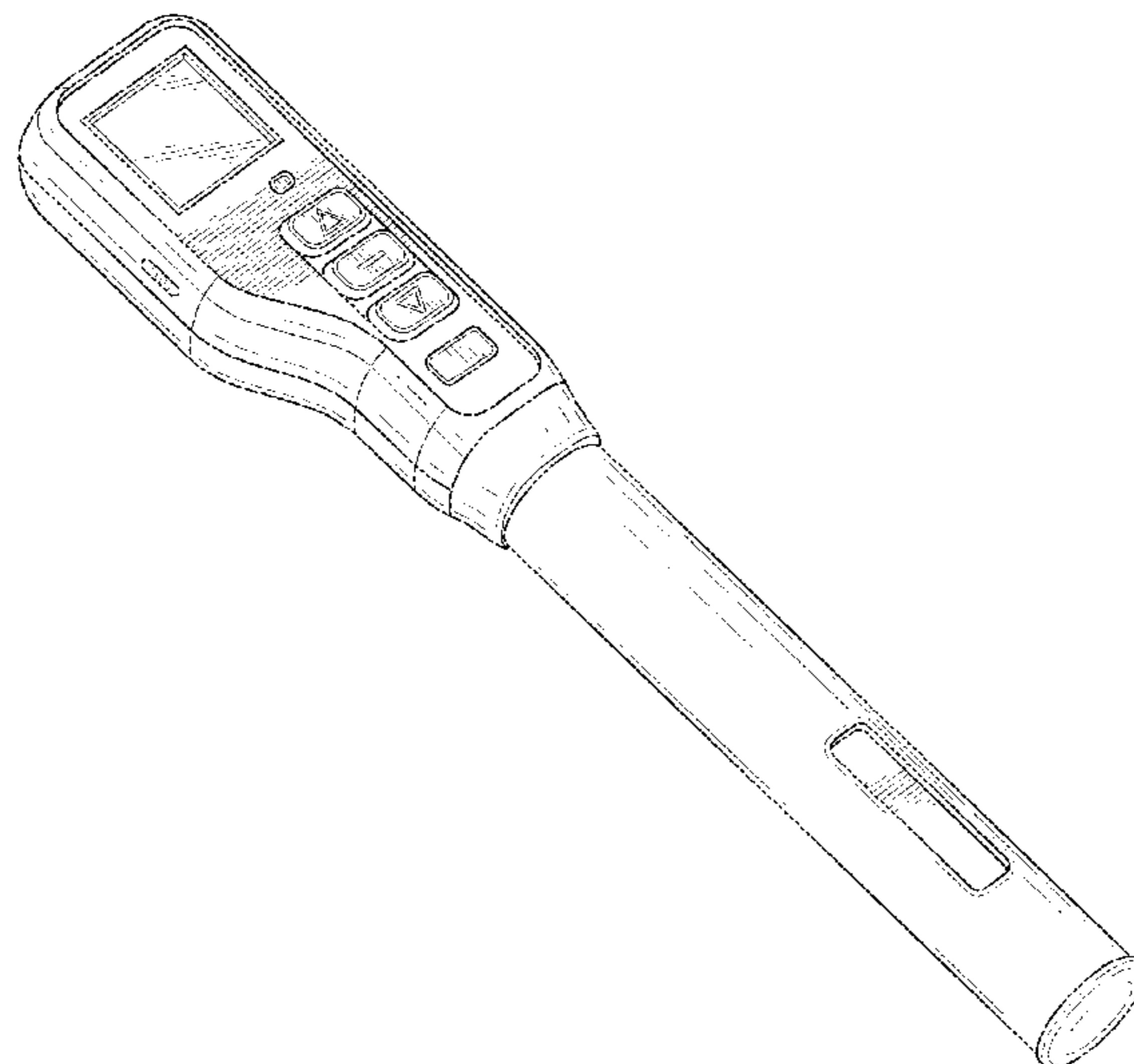
(57) **CLAIM**

The ornamental design for injection device, as shown and described.

DESCRIPTION

FIG. 1 is a front perspective view of injection device according to the present invention.
FIG. 2 is a top view of the injection device of FIG. 1.
FIG. 3 is a bottom view of the injection device of FIG. 1.
FIG. 4 is a left side view of the injection device of FIG. 1.
FIG. 5 is a right side view of the injection device of FIG. 1.
FIG. 6 is a rear view of the injection device of FIG. 1; and,
FIG. 7 is a front view of the injection device of FIG. 1.
The dashed lines illustrate environment that does not form a part of the present invention, and no claim is made to the material illustrated with dashed lines.

1 Claim, 6 Drawing Sheets



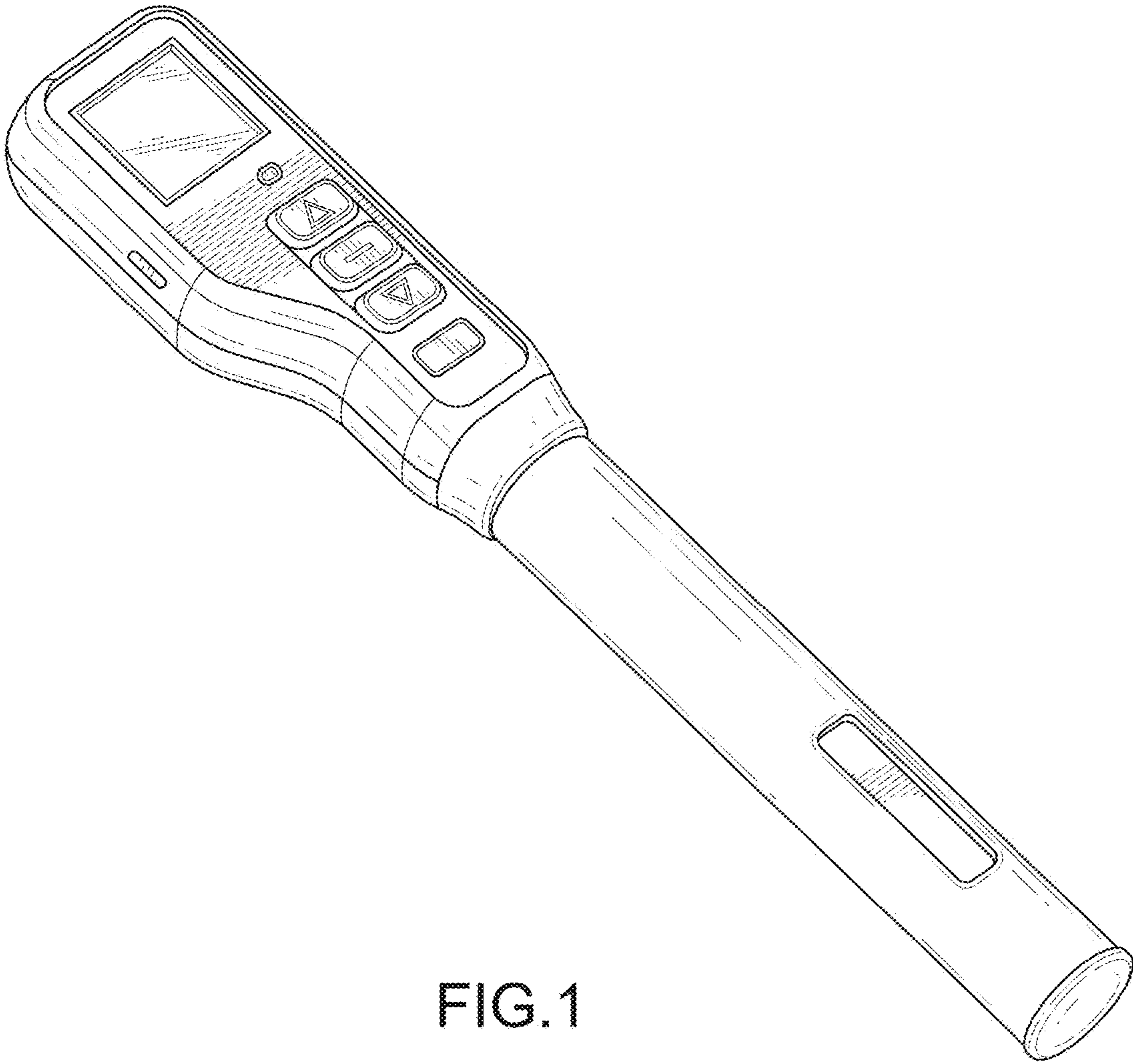


FIG.1

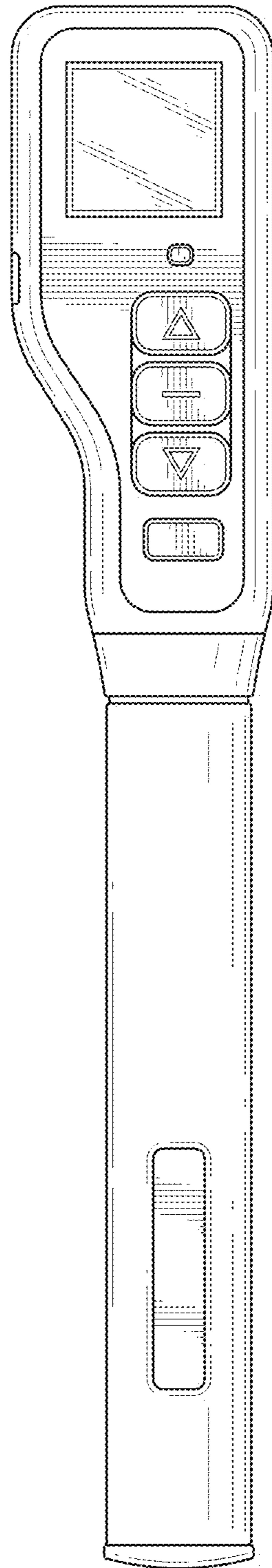


FIG.2

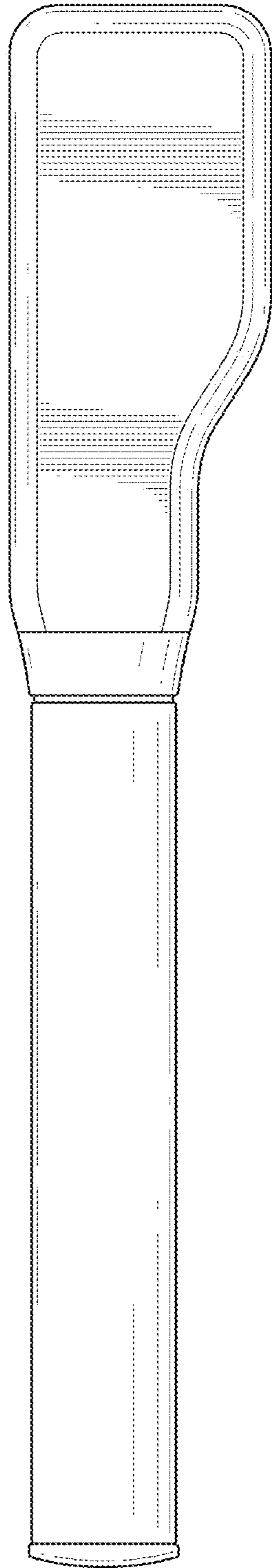


FIG.3

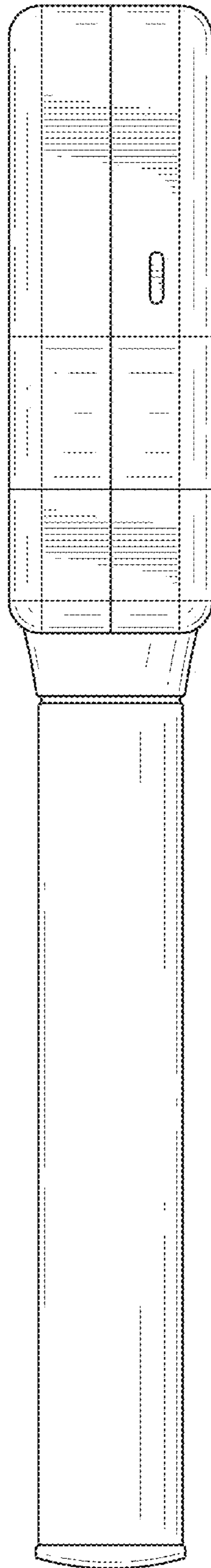


FIG.4

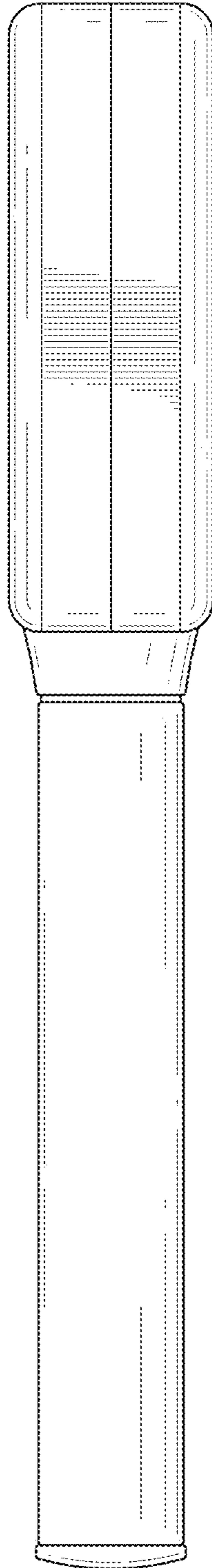


FIG.5

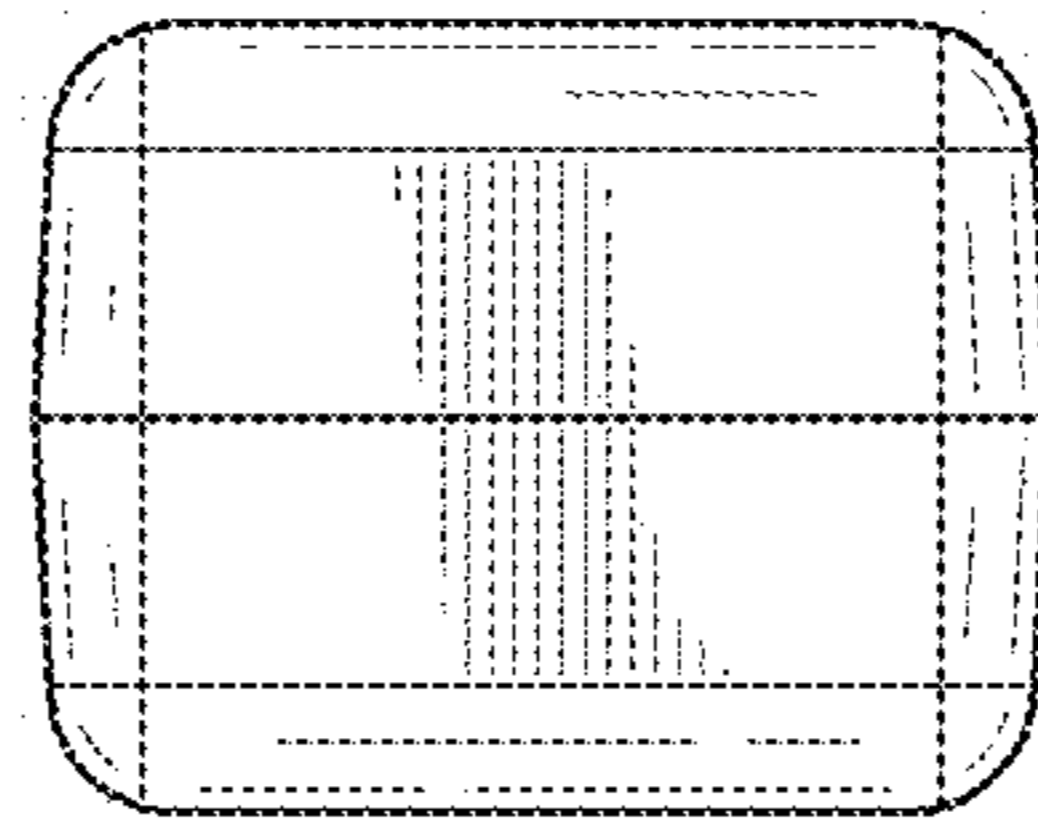


FIG. 6

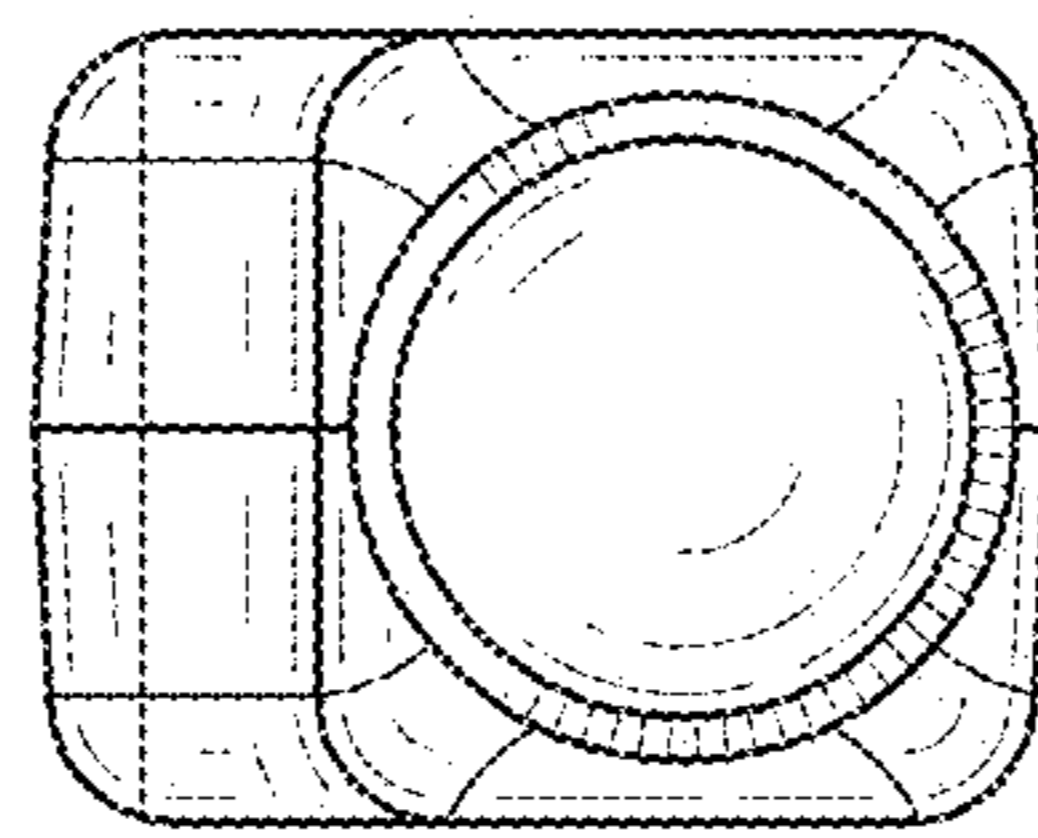


FIG. 7