

US00D834706S

(12) **United States Design Patent** (10) **Patent No.:** **US D834,706 S**  
**Daniel et al.** (45) **Date of Patent:** **\*\* Nov. 27, 2018**

(54) **HOUSING WINDOW FOR A MEDICAL INJECTOR**

(71) Applicant: **SHL GROUP AB**, Nacka Strand (SE)

(72) Inventors: **Mattias Daniel**, Taby (SE); **Katja Wessel**, Stockholm (SE)

(73) Assignee: **SHL GROUP AB**, Nacka Strand (SE)

(\*\*) Term: **15 Years**

(21) Appl. No.: **29/601,117**

(22) Filed: **Apr. 19, 2017**

**Related U.S. Application Data**

(63) Continuation of application No. 13/650,708, filed on Oct. 12, 2012, now Pat. No. 9,662,452, which is a continuation of application No. 13/636,241, filed as application No. PCT/SE2011/050326 on Mar. 23, 2011, now Pat. No. 9,199,038.

(51) **LOC (11) Cl.** ..... **24-02**

(52) **U.S. Cl.**  
USPC ..... **D24/113**

(58) **Field of Classification Search**  
USPC ..... D24/112–114, 108, 130, 127, 133, 186; 606/181, 185; 604/264, 523–528, 272, 604/164.01–164.11, 187, 93.01; 600/101, 600/139, 143; 128/200.24, 207.14, 128/207.15  
CPC ..... A61M 5/178; A61M 3/00; A61M 5/20; A61M 5/31; A61M 5/3146; A61M 5/3129  
See application file for complete search history.

(56) **References Cited**

**U.S. PATENT DOCUMENTS**

7,488,297 B2 \* 2/2009 Flaherty ..... A61M 5/1407  
600/498  
D619,244 S \* 7/2010 Van der Stappen ..... D24/113

D708,317 S \* 7/2014 Schneider ..... D24/113  
8,821,451 B2 \* 9/2014 Daniel ..... A61M 5/2033  
604/137  
D714,932 S \* 10/2014 Hall ..... D24/112  
9,033,932 B2 \* 5/2015 Holmqvist ..... A61M 5/2033  
604/187  
D733,869 S \* 7/2015 Ratjen ..... D24/113  
D757,255 S \* 5/2016 Wohlfahrt ..... D24/113  
D758,567 S \* 6/2016 Wohlfahrt ..... D24/113  
D758,569 S \* 6/2016 Wohlfahrt ..... D24/113  
D758,570 S \* 6/2016 Wohlfahrt ..... D24/113  
D758,571 S \* 6/2016 Geert-Jensen ..... D24/113  
D767,119 S \* 9/2016 Hauck ..... D24/113

\* cited by examiner

*Primary Examiner* — David G Muller  
(74) *Attorney, Agent, or Firm* — McDonnell Boehnen Hulbert & Berghoff LLP

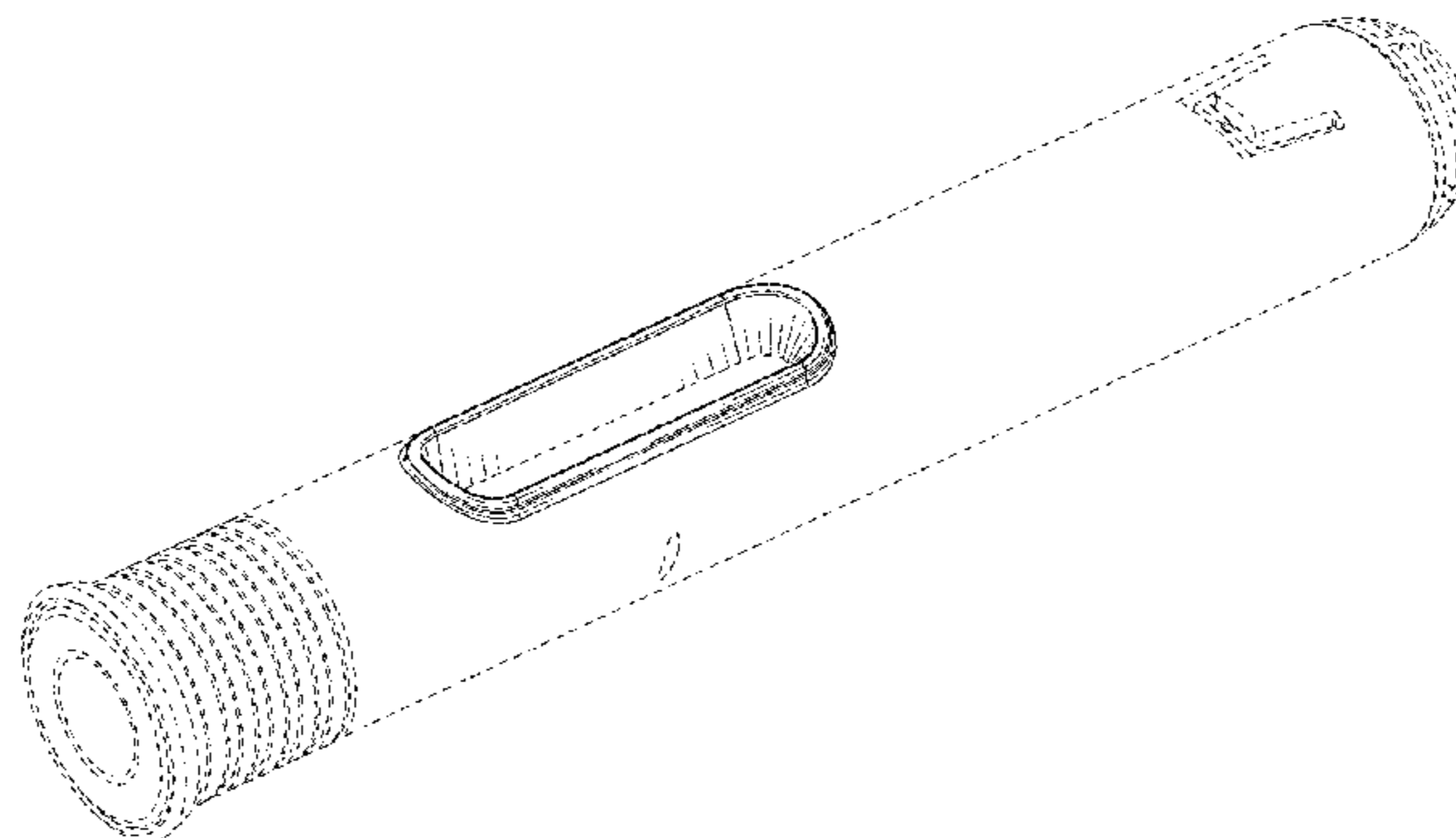
(57) **CLAIM**

The ornamental design for a housing window for a medical injector, as shown and described.

**DESCRIPTION**

FIG. 1 is a perspective view of the housing viewed from the front and left of and above the medical injector;  
FIG. 2 is a front elevation view thereof;  
FIG. 3 is a rear elevation view thereof;  
FIG. 4 is a right side elevation view thereof;  
FIG. 5 is a left side elevation view thereof;  
FIG. 6 is a top plan view thereof; and,  
FIG. 7 is a bottom plan view thereof.  
The broken line showing is for the purpose of illustrating portions of the article and forms no part of the claimed design. The broken line which defines the bounds of the claimed invention forms no part of the claimed design.

**1 Claim, 3 Drawing Sheets**



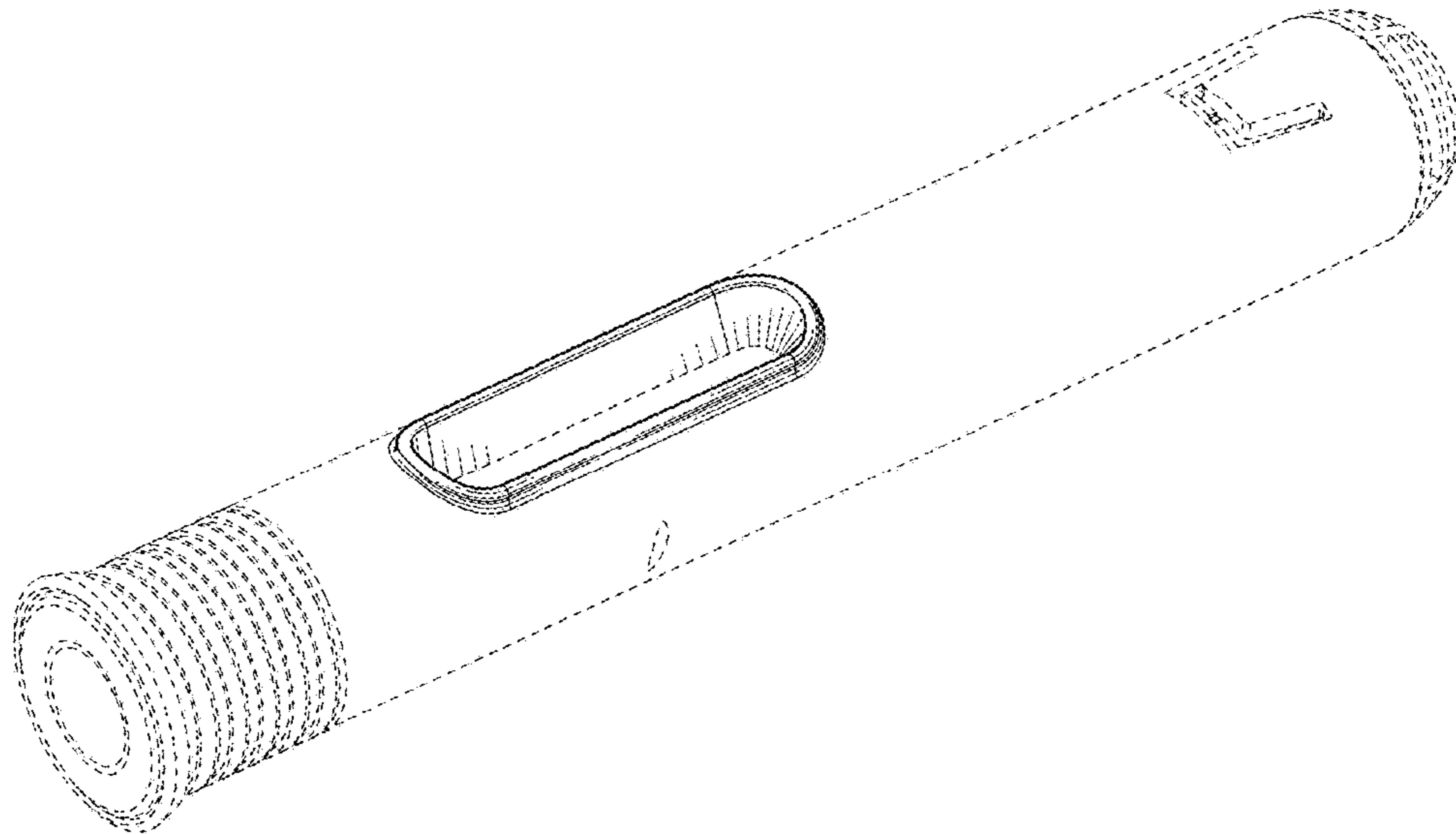


FIG. 1

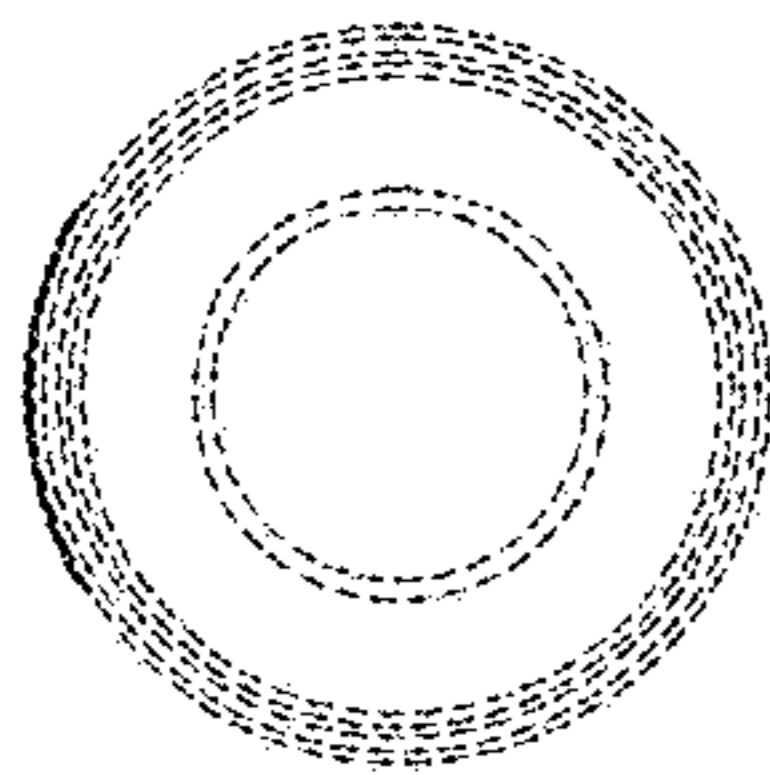


FIG. 2

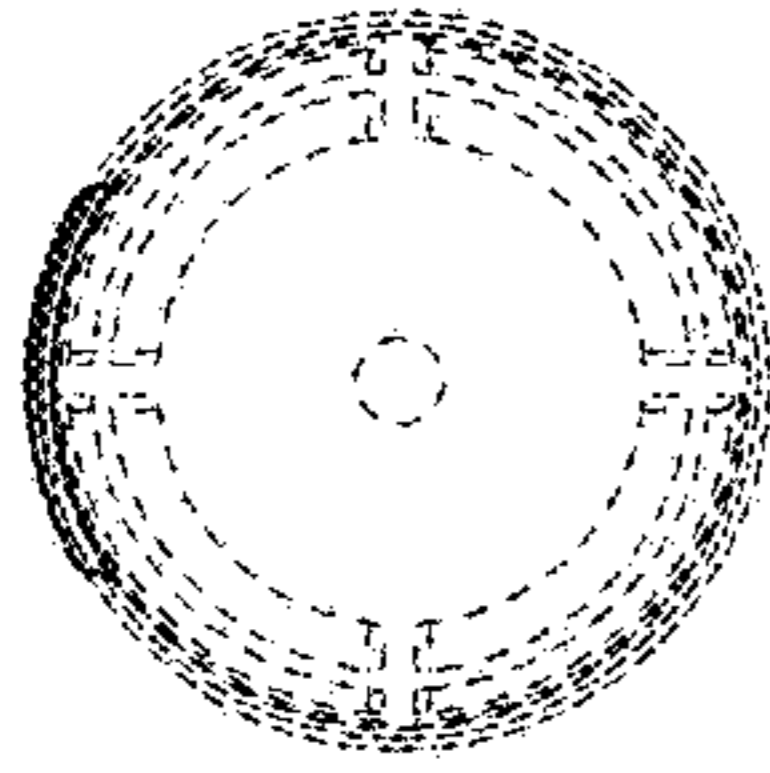


FIG. 3

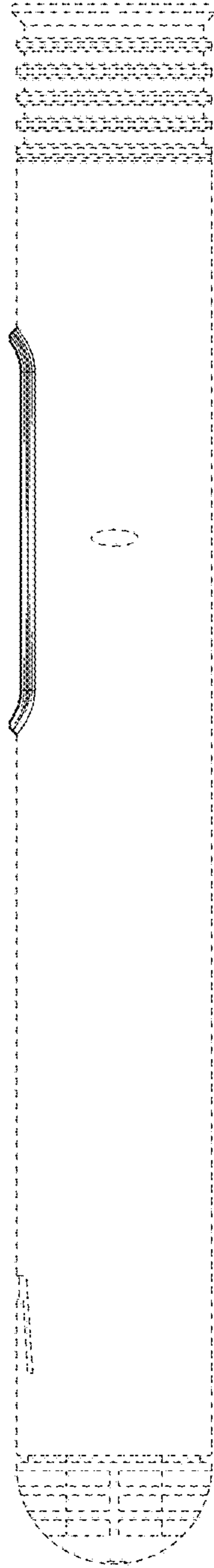


FIG. 4

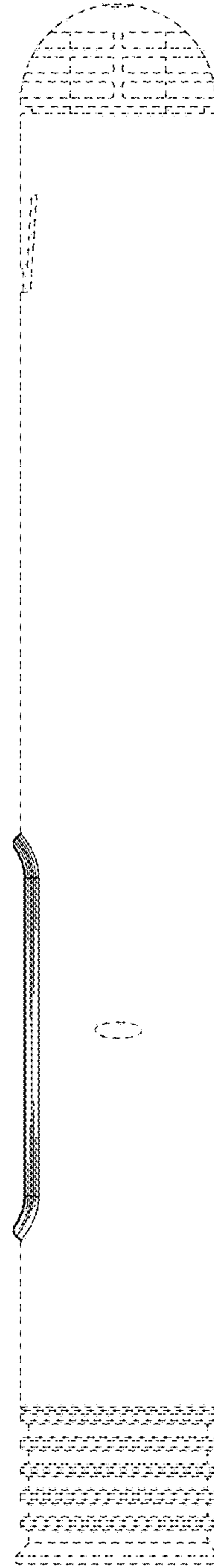


FIG. 5

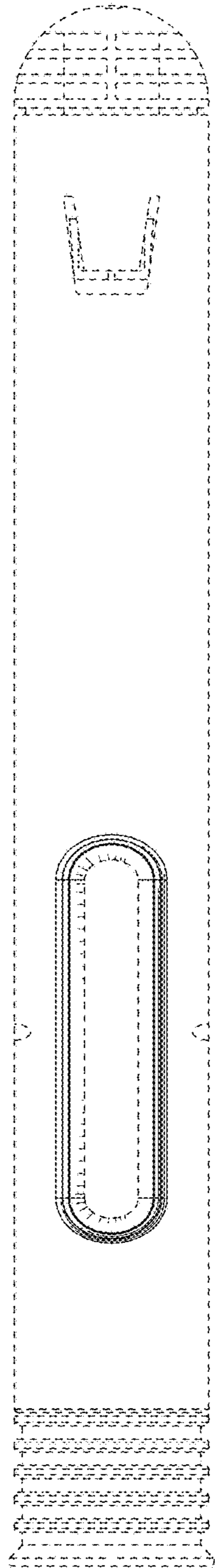


FIG. 6

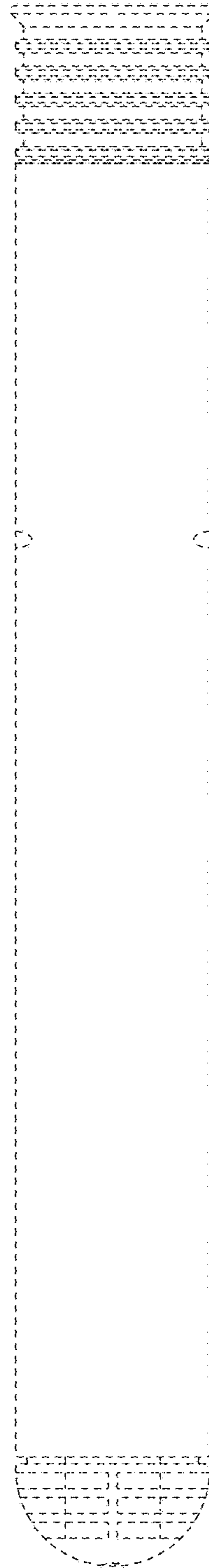


FIG. 7