

US00D834702S

(12) **United States Design Patent** (10) **Patent No.:** **US D834,702 S**
Evans et al. (45) **Date of Patent:** **** Nov. 27, 2018**

(54) **DRY POWDER INHALER**

D730,571 S * 5/2015 Chen D27/101
 9,207,821 B2 * 12/2015 Dowd G06F 3/0416
 D776,337 S * 1/2017 Levin D27/101

(71) Applicant: **Philip Morris Products S.A.**,
Neuchatel (CH)

(Continued)

(72) Inventors: **Tim Evans**, Cambridge (GB); **T L Six Wu**, London (GB); **Stefanie Kubanek**,
Munich (DE)

Primary Examiner — Eric L Goodman

Assistant Examiner — Lilyana Bekic

(74) *Attorney, Agent, or Firm* — Mueting, Raasch &
Gebhardt, P.A.

(73) Assignee: **Philip Morris Products S.A.**,
Neuchatel (CH)

(57) **CLAIM**

We claim the ornamental design for a dry powder inhaler, as shown and described.

(**) Term: **15 Years**

DESCRIPTION

(21) Appl. No.: **29/570,382**

FIG. 1 is a front view of a dry powder inhaler with mouthpiece retracted;

(22) Filed: **Jul. 7, 2016**

FIG. 2 is a right side view thereof;

(51) **LOC (11) Cl.** **29-02**

FIG. 3 is a left side view thereof;

(52) **U.S. Cl.**

FIG. 4 is a back view thereof;

USPC **D24/110; D27/101; D27/163**

FIG. 5 is a top view thereof;

(58) **Field of Classification Search**

FIG. 6 is a bottom view thereof;

USPC D24/107, 108, 110, 110.5, 111, 113, 127,
D24/164; D27/162–165, 167, 169–170

FIG. 7 is a top-front perspective view thereof;

CPC A61M 15/00; A61M 15/0065; A61M
15/0091; A61M 15/0071; A61M 15/0026;
A61M 11/00; A61M 11/02; A61M 11/04;
A61M 15/0001; A61M 15/0068

FIG. 8 is a top-back perspective view thereof;

See application file for complete search history.

FIG. 9 is a bottom-front perspective view thereof;

FIG. 10 is a bottom-back perspective view thereof;

FIG. 11 is a front view thereof with mouthpiece extended;

(56) **References Cited**

U.S. PATENT DOCUMENTS

- 413,100 A * 10/1889 Smith A61M 15/00
128/203.23
 D214,972 S * 8/1969 Katerndahl D24/110
 3,565,071 A * 2/1971 Cobb A61M 15/00
128/203.24
 D673,264 S * 12/2012 Kunze D24/113
 D696,768 S * 12/2013 Karlsson D24/110.5
 D721,202 S * 1/2015 Liu D27/101
 D724,263 S * 3/2015 Malhi D27/101

FIG. 12 is a right side view thereof;

FIG. 13 is a left side view thereof;

FIG. 14 is a back view thereof;

FIG. 15 is a top view thereof;

FIG. 16 is a bottom view thereof;

FIG. 17 is a top-front perspective view thereof;

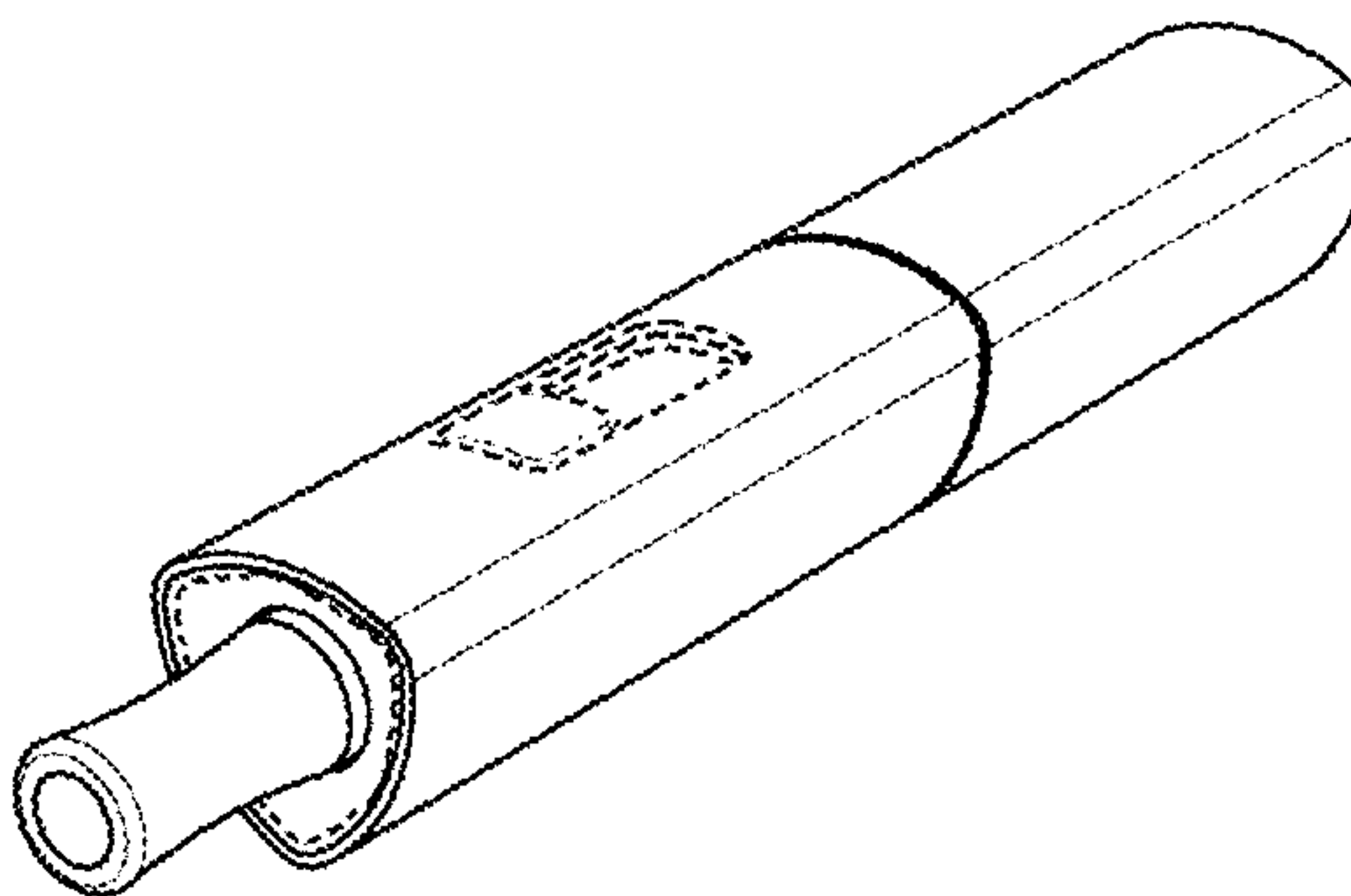
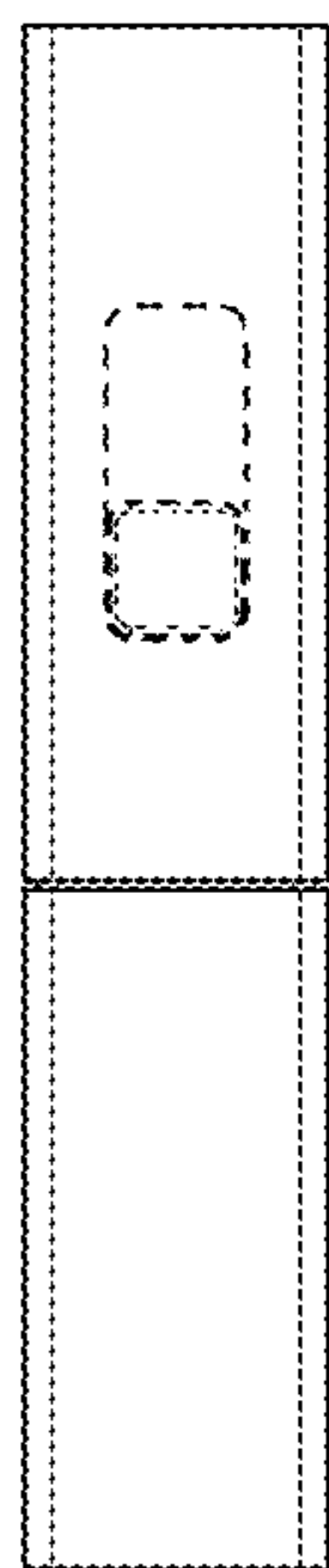
FIG. 18 is a top-back perspective view thereof;

FIG. 19 is a bottom-front perspective view thereof; and,

FIG. 20 is a bottom-back perspective view thereof.

The broken lines on the top and bottom of the dry powder inhaler illustrate seams that form no part of the claimed design. All other broken lines illustrate portions of the dry powder inhaler that form no part of the claimed design.

1 Claim, 18 Drawing Sheets



(56)

References Cited

U.S. PATENT DOCUMENTS

D776,869 S * 1/2017 Heidl D27/163
D786,497 S * 5/2017 Sudlow D27/162
2015/0235571 A1* 8/2015 Alexandersson . A61M 5/31501
434/262
2016/0148539 A1* 5/2016 Baker G09B 23/28
434/262
2017/0007769 A1* 1/2017 Chang A61M 5/3129

* cited by examiner

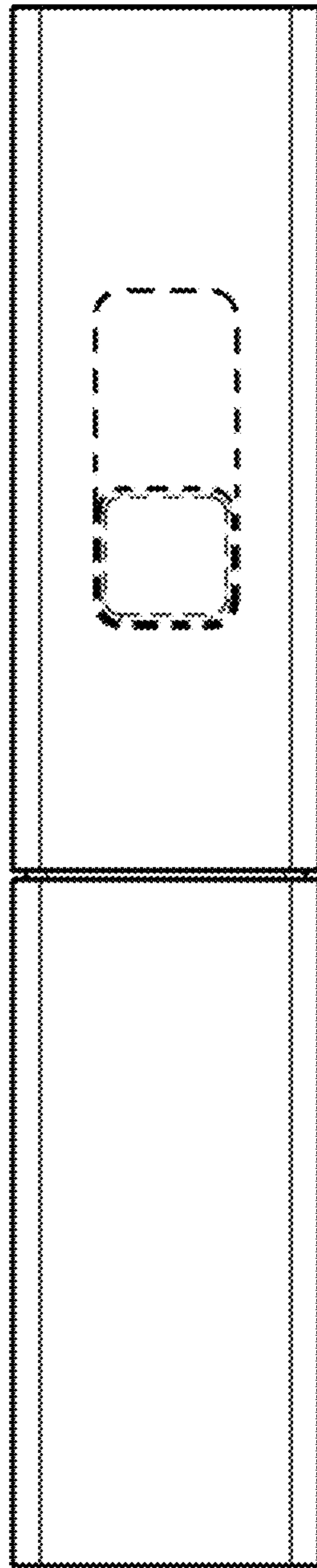


FIG. 1

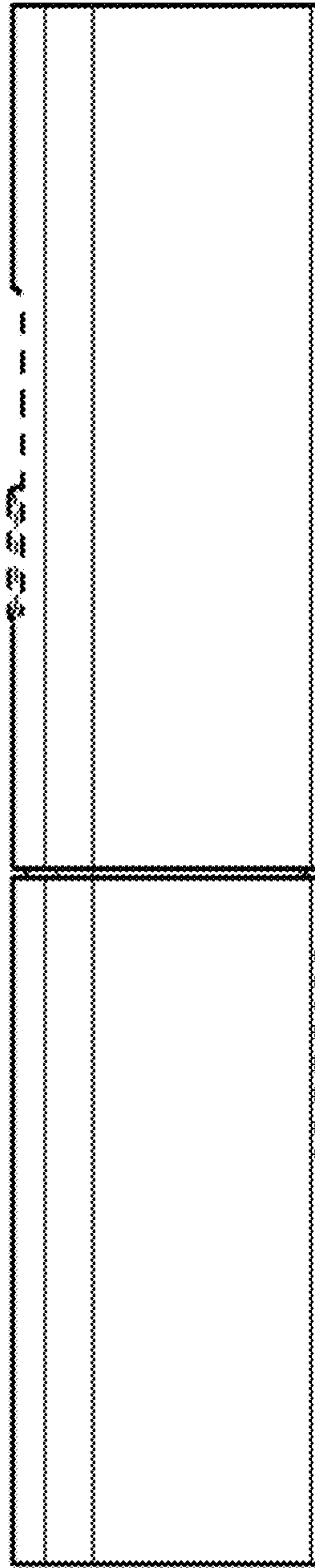


FIG. 2

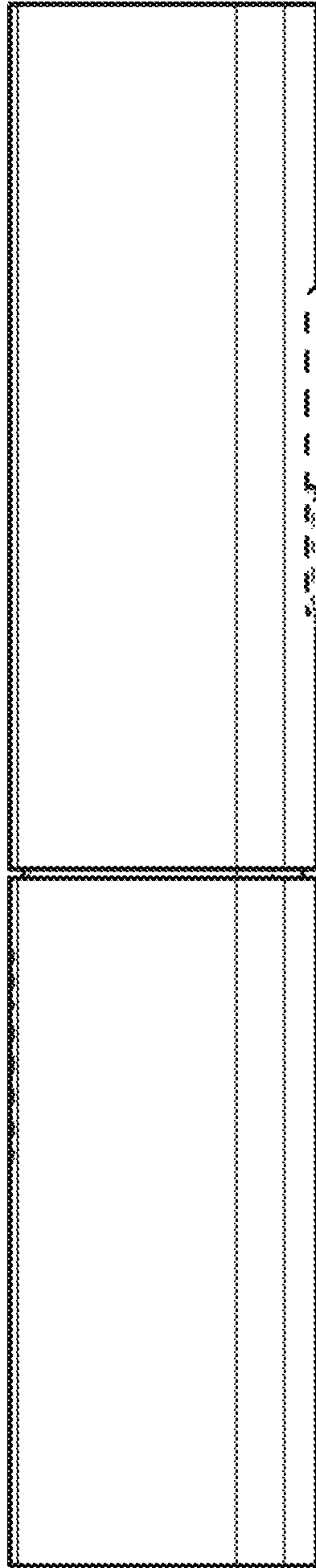


FIG. 3

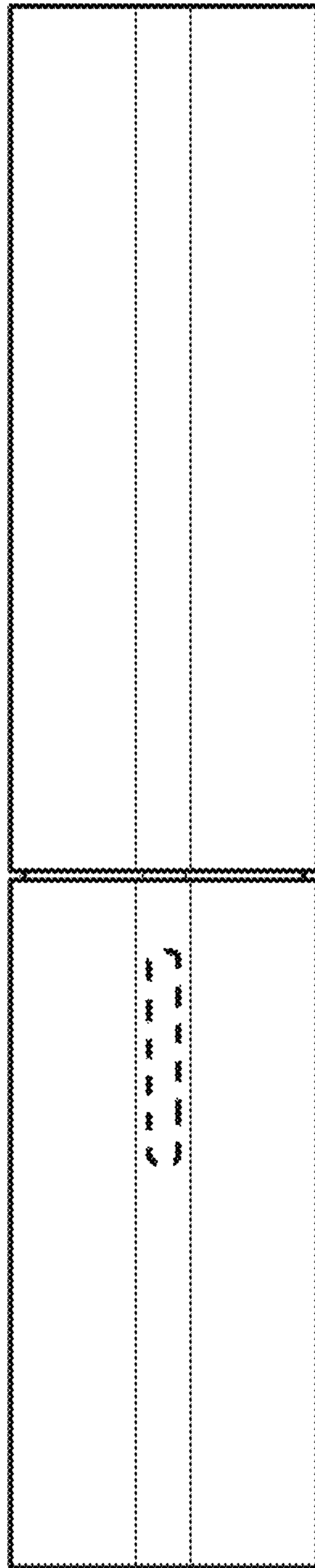


FIG. 4

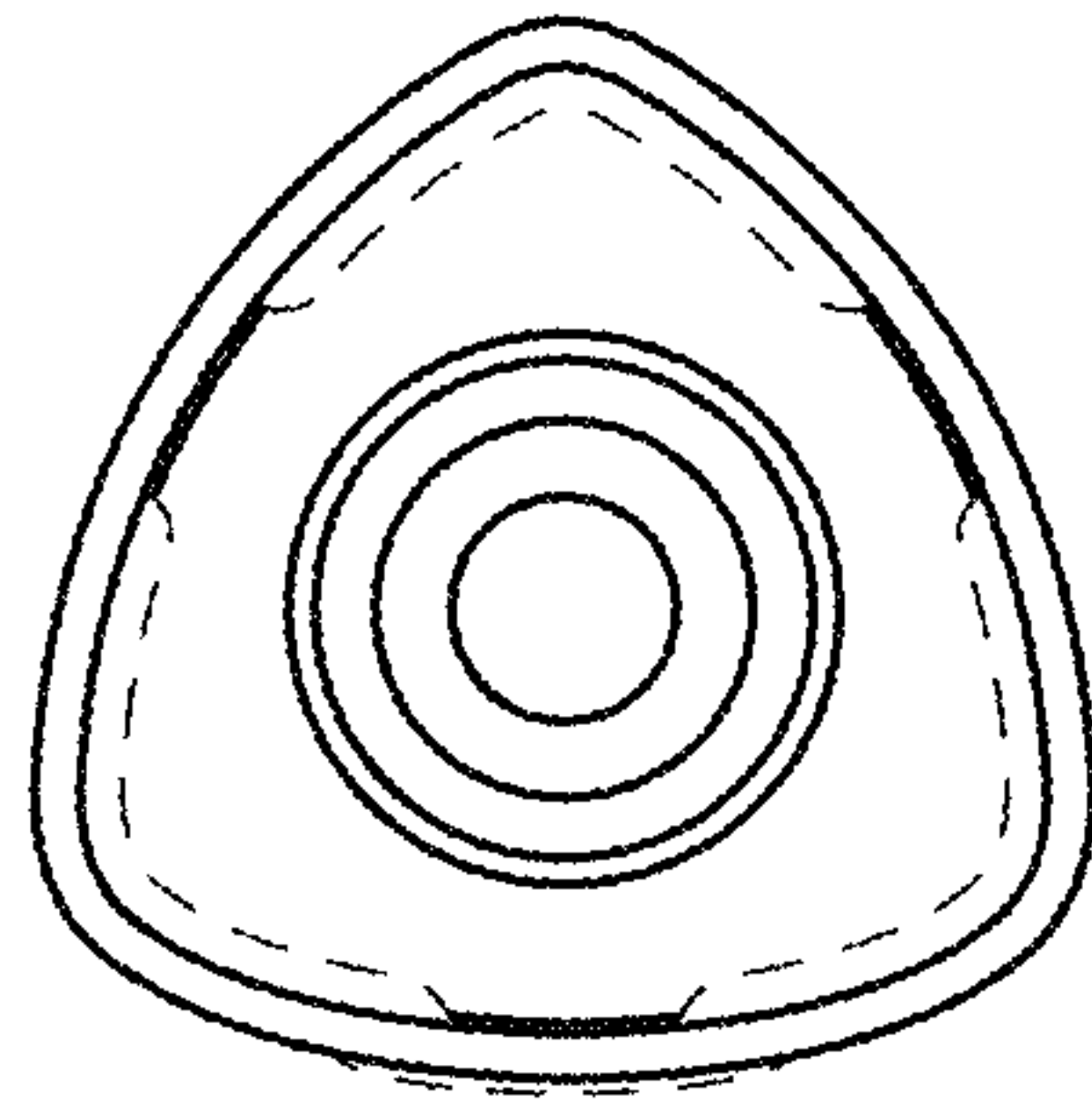


FIG. 5

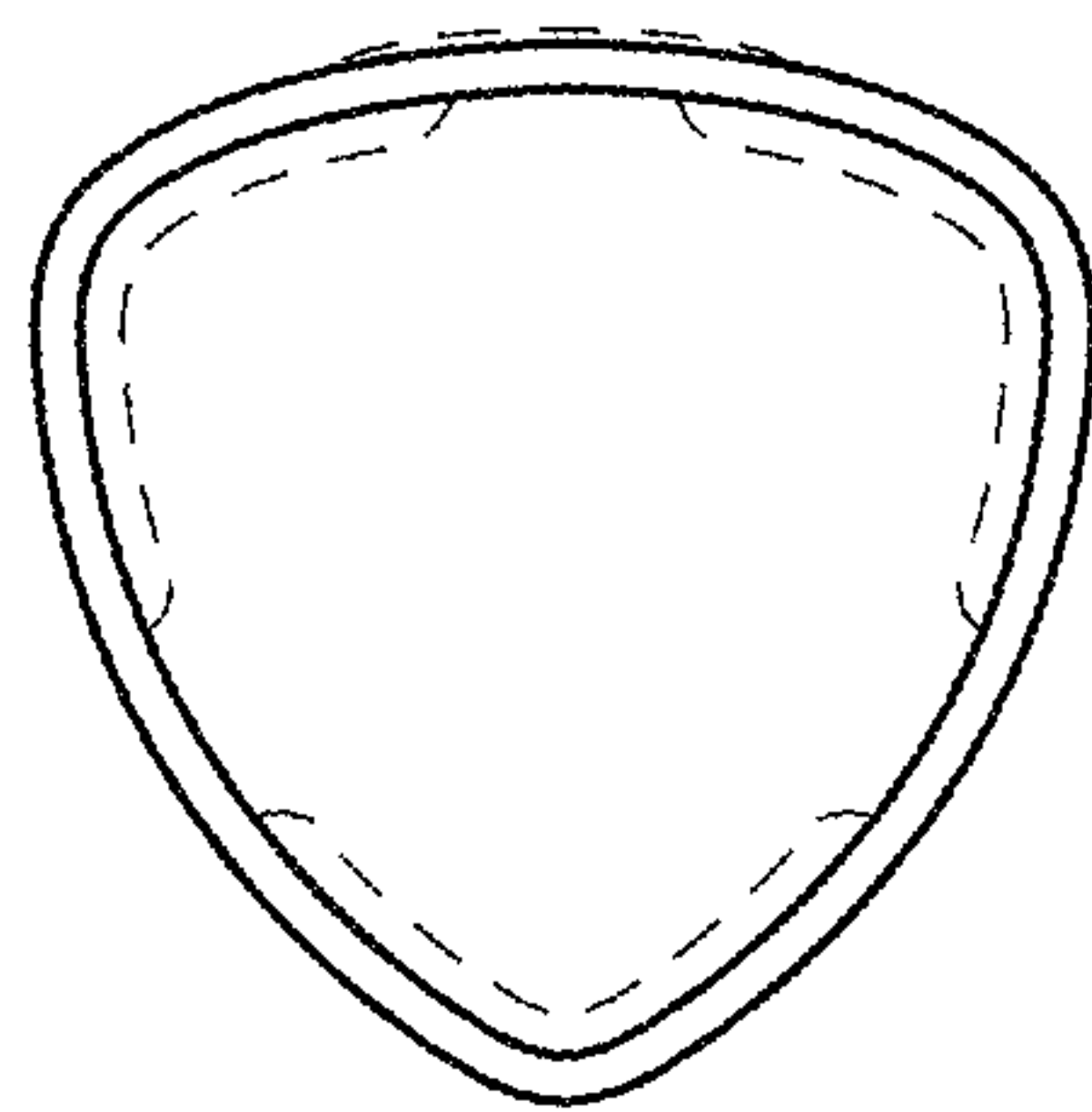


FIG. 6

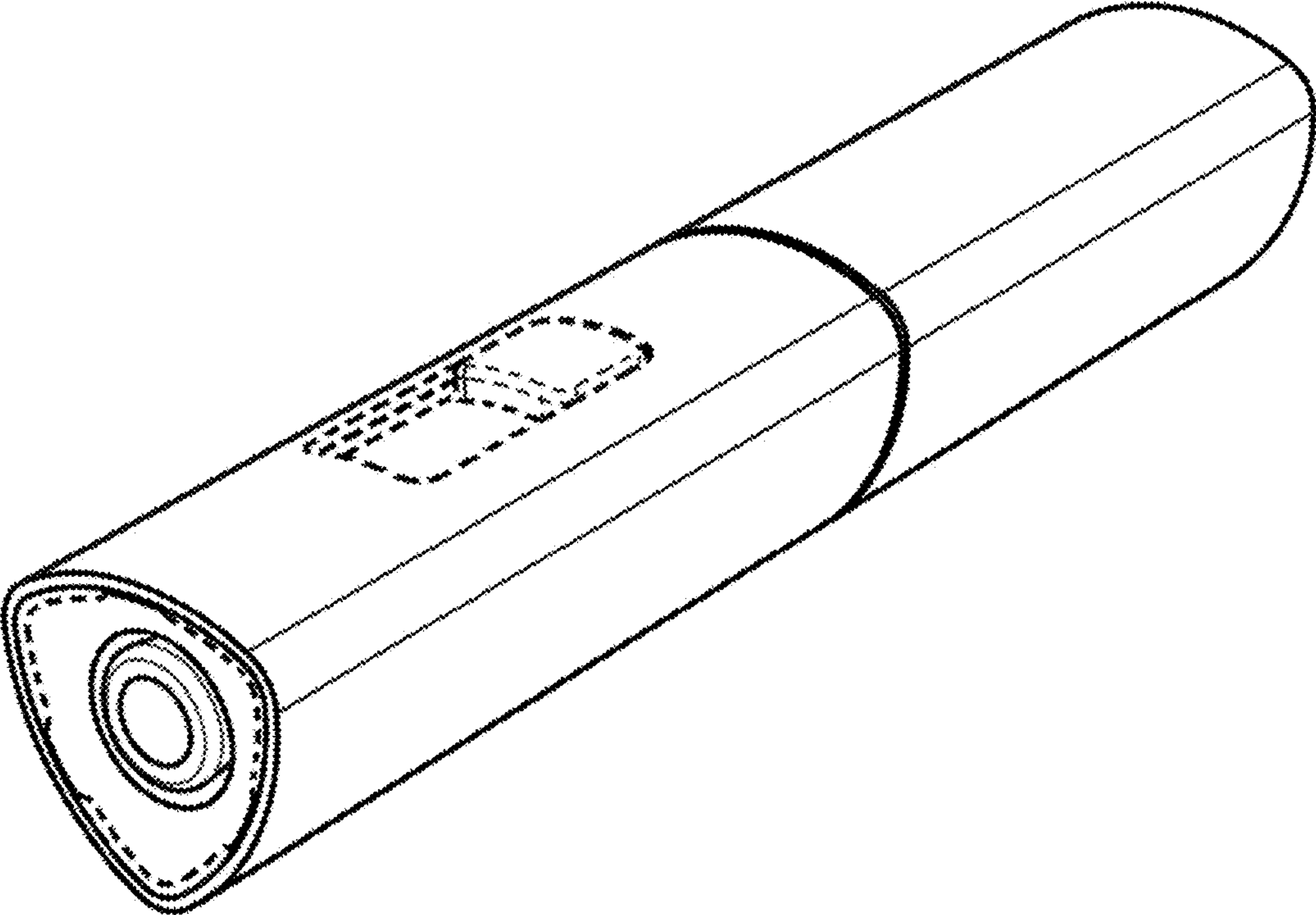


FIG. 7

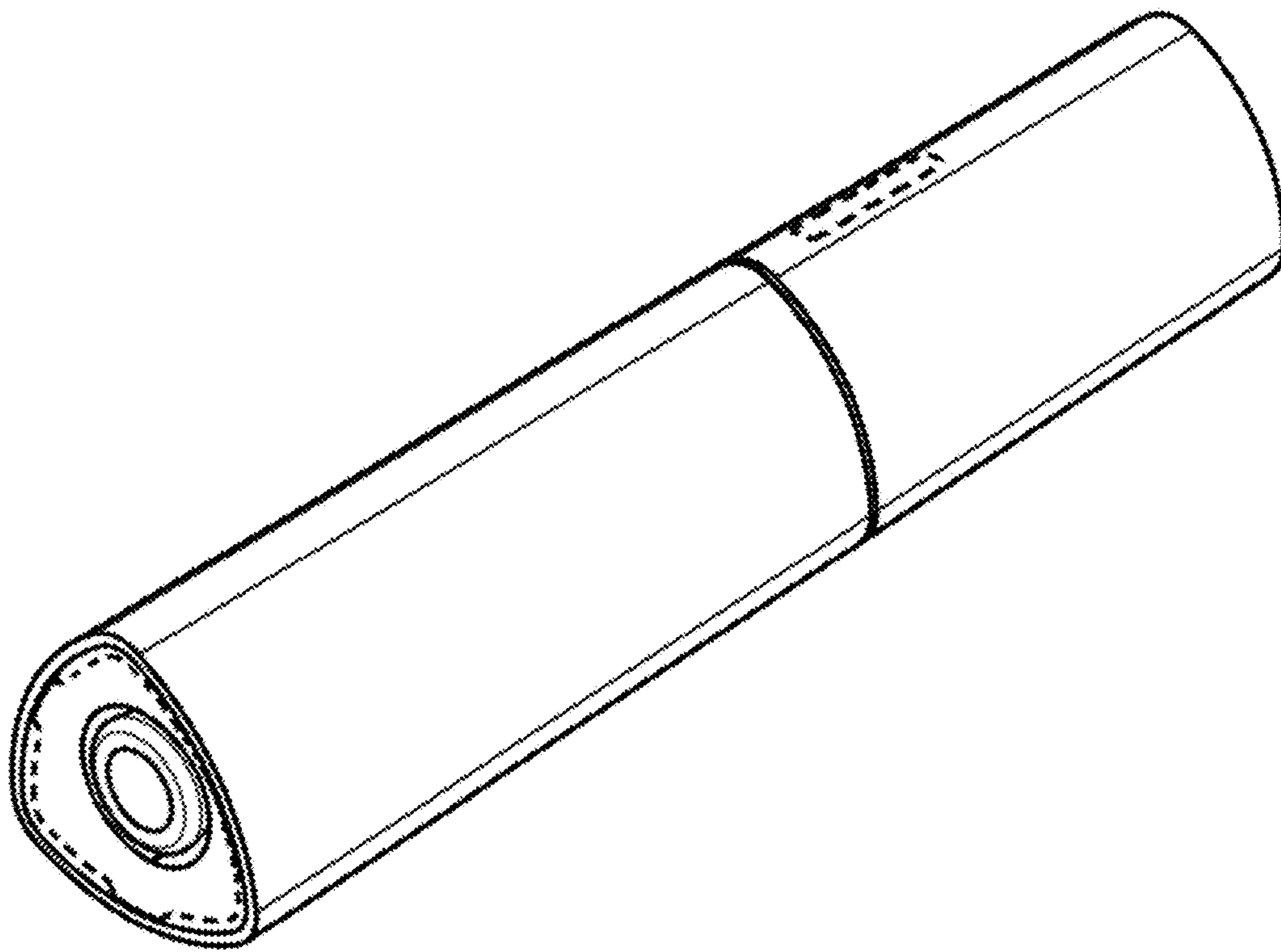


FIG. 8

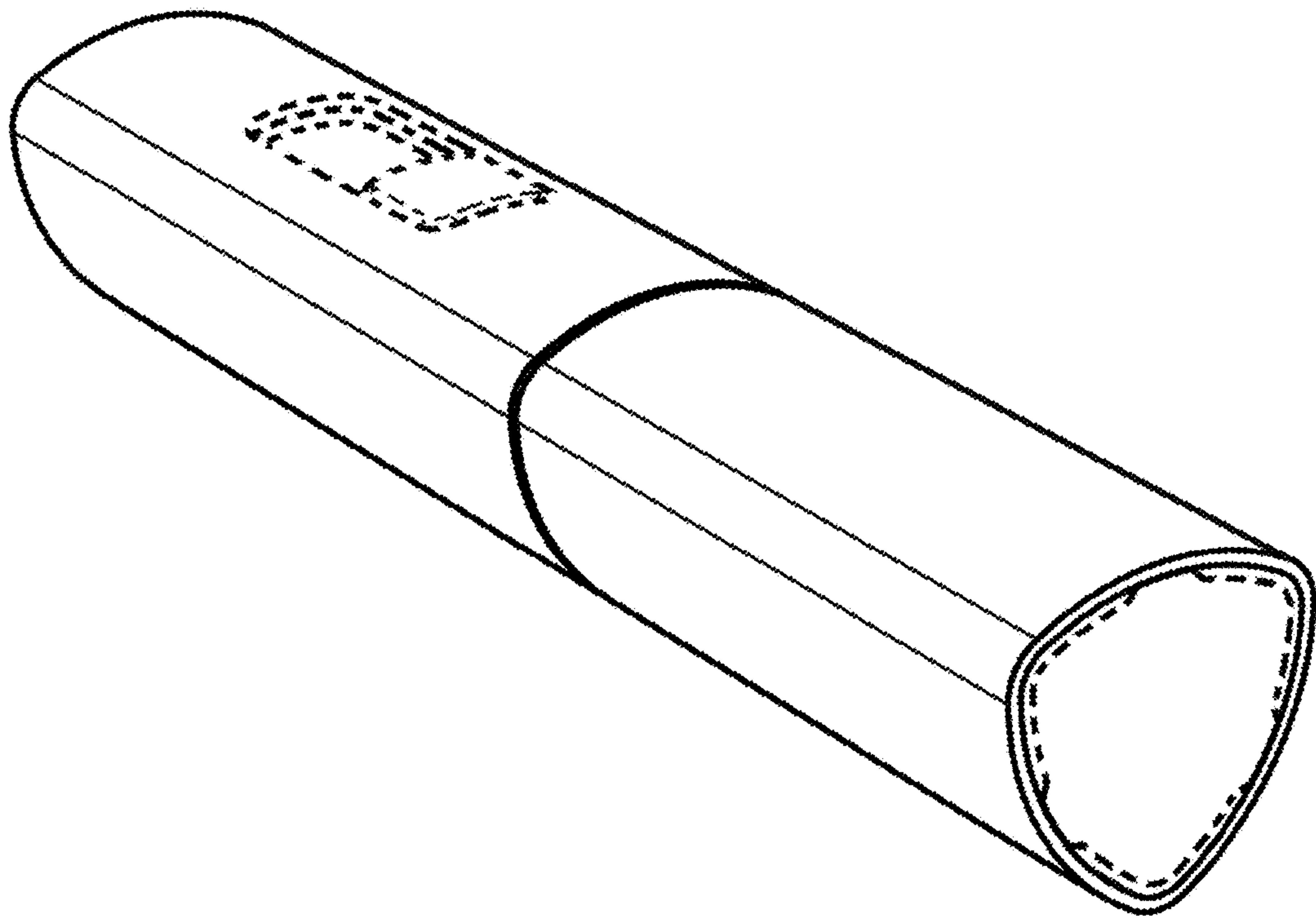


FIG. 9

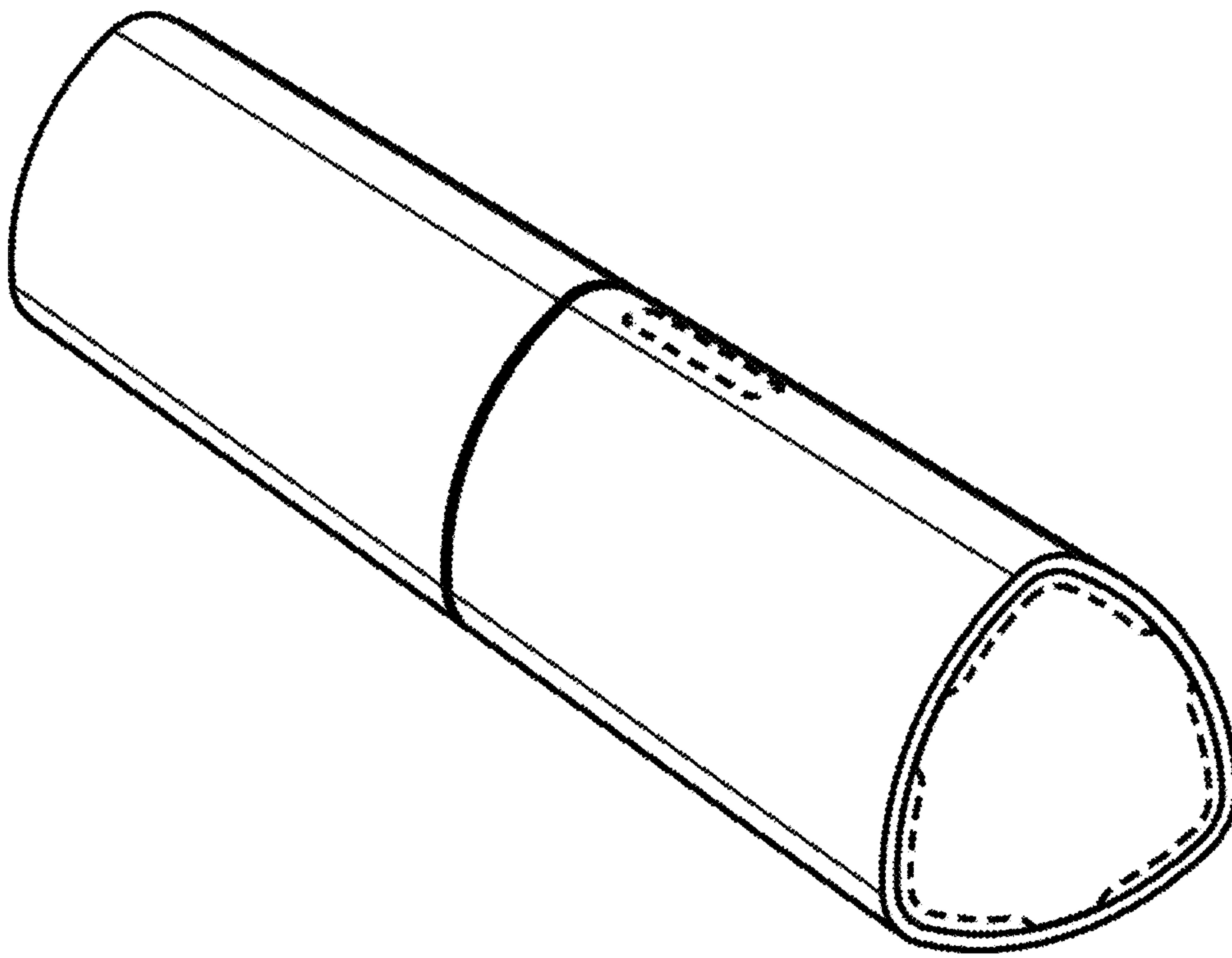


FIG. 10

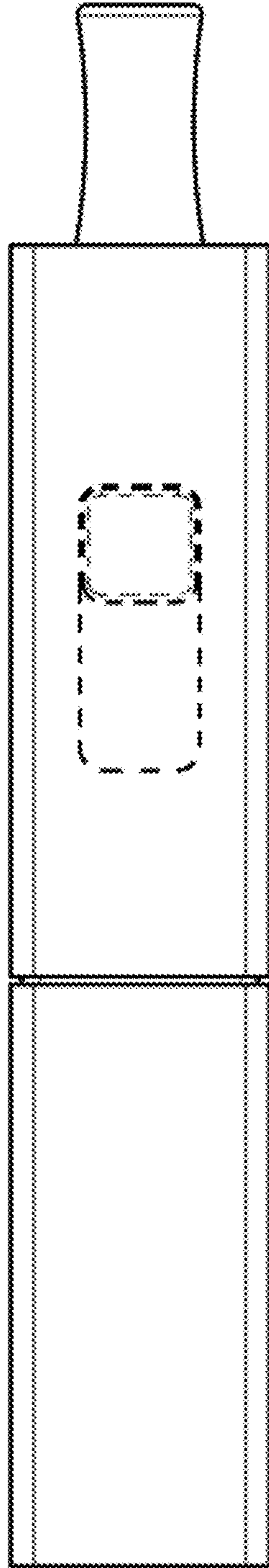


FIG. 11

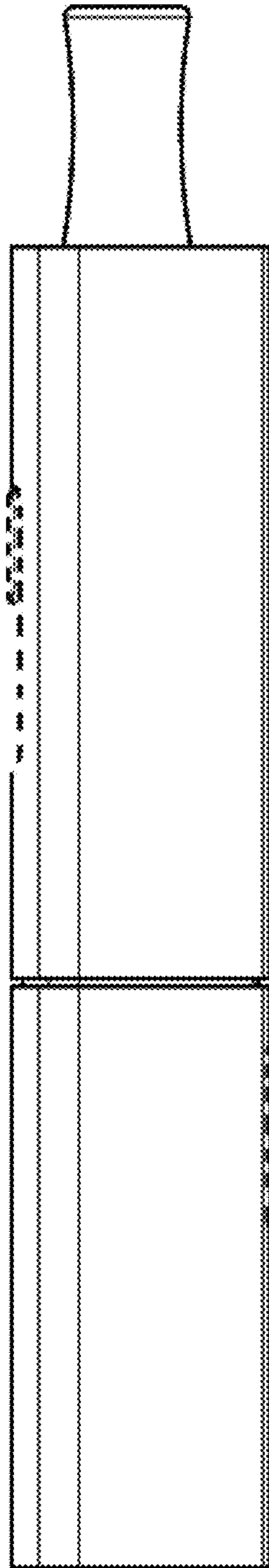


FIG. 12

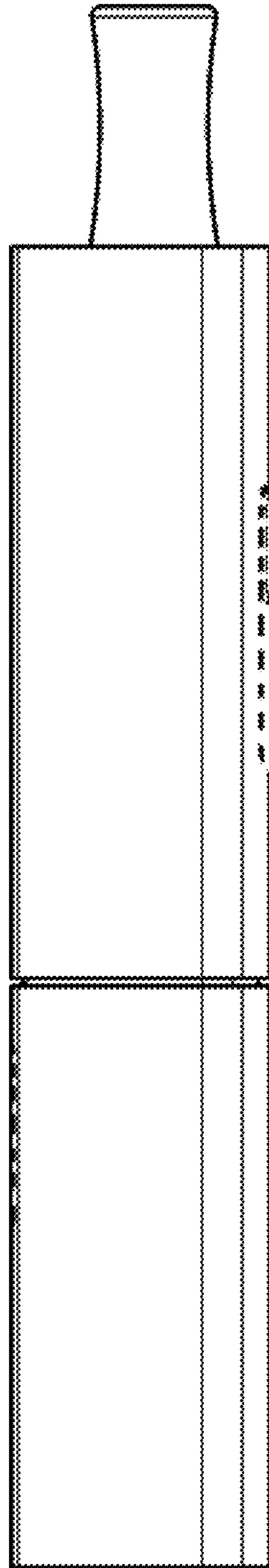


FIG. 13

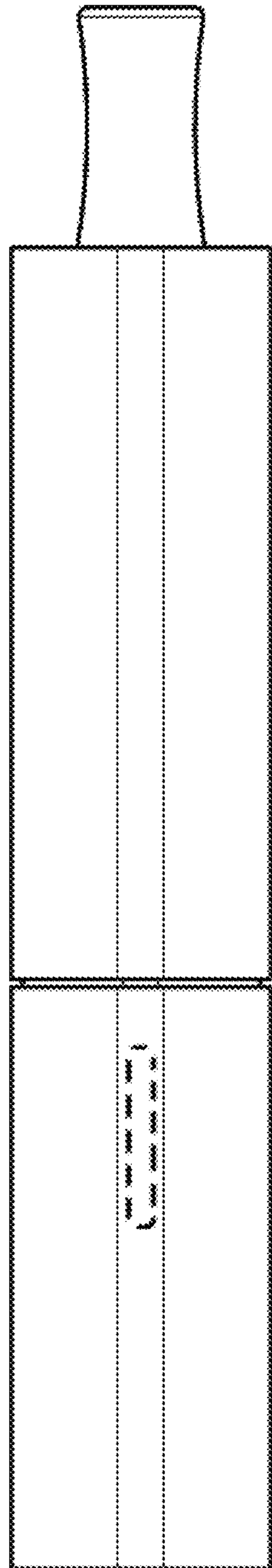


FIG. 14

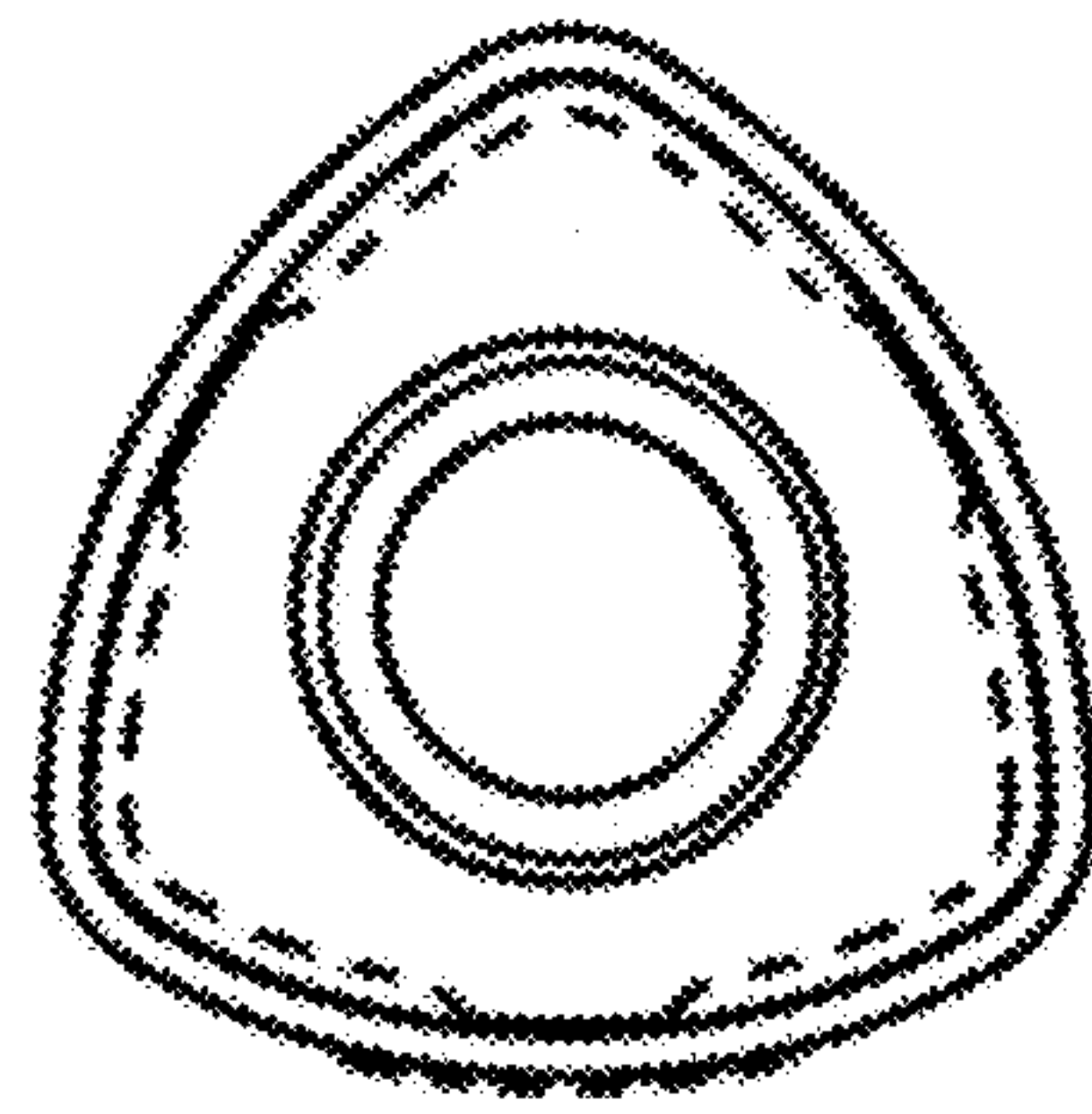


FIG. 15

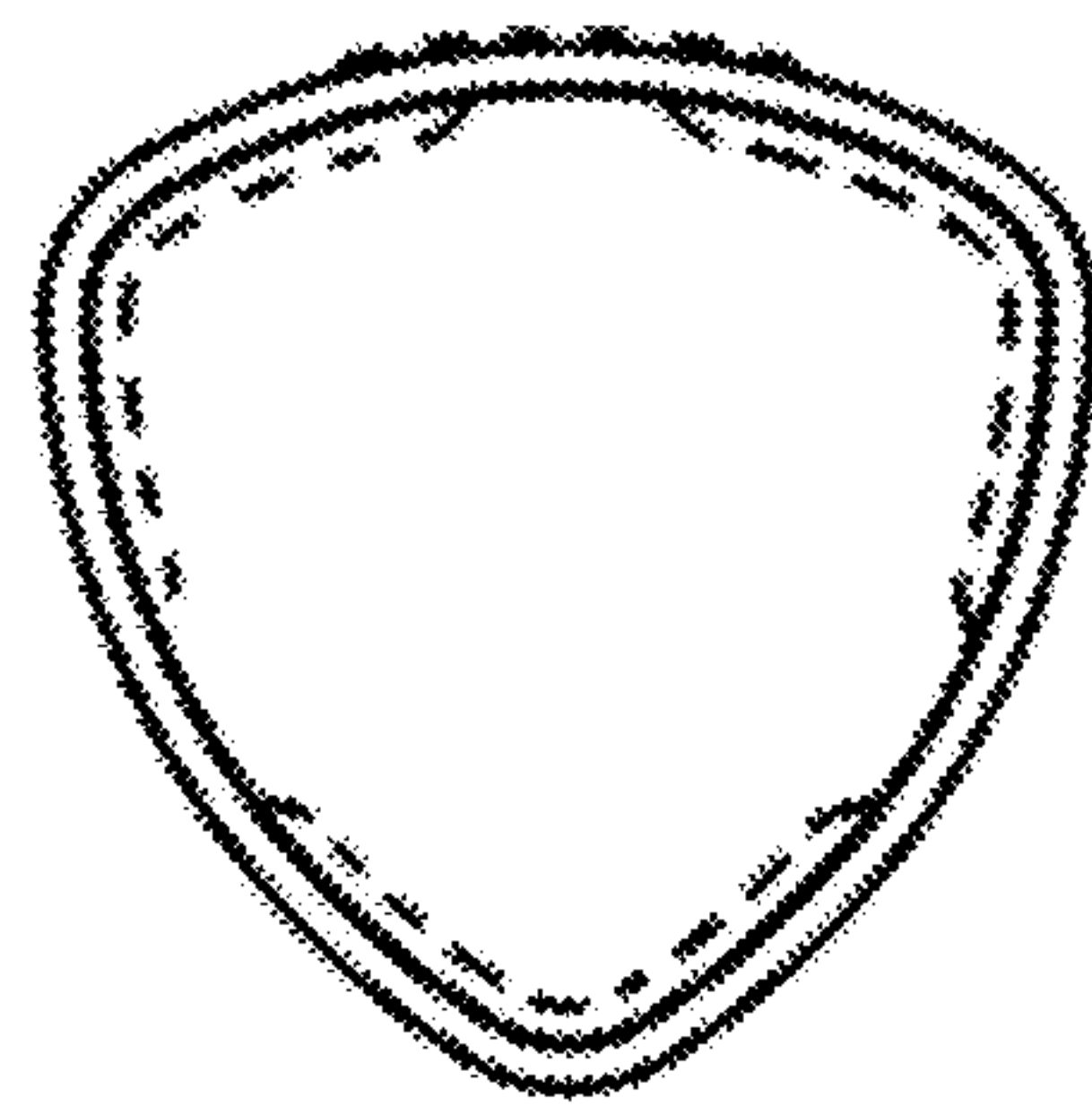


FIG. 16

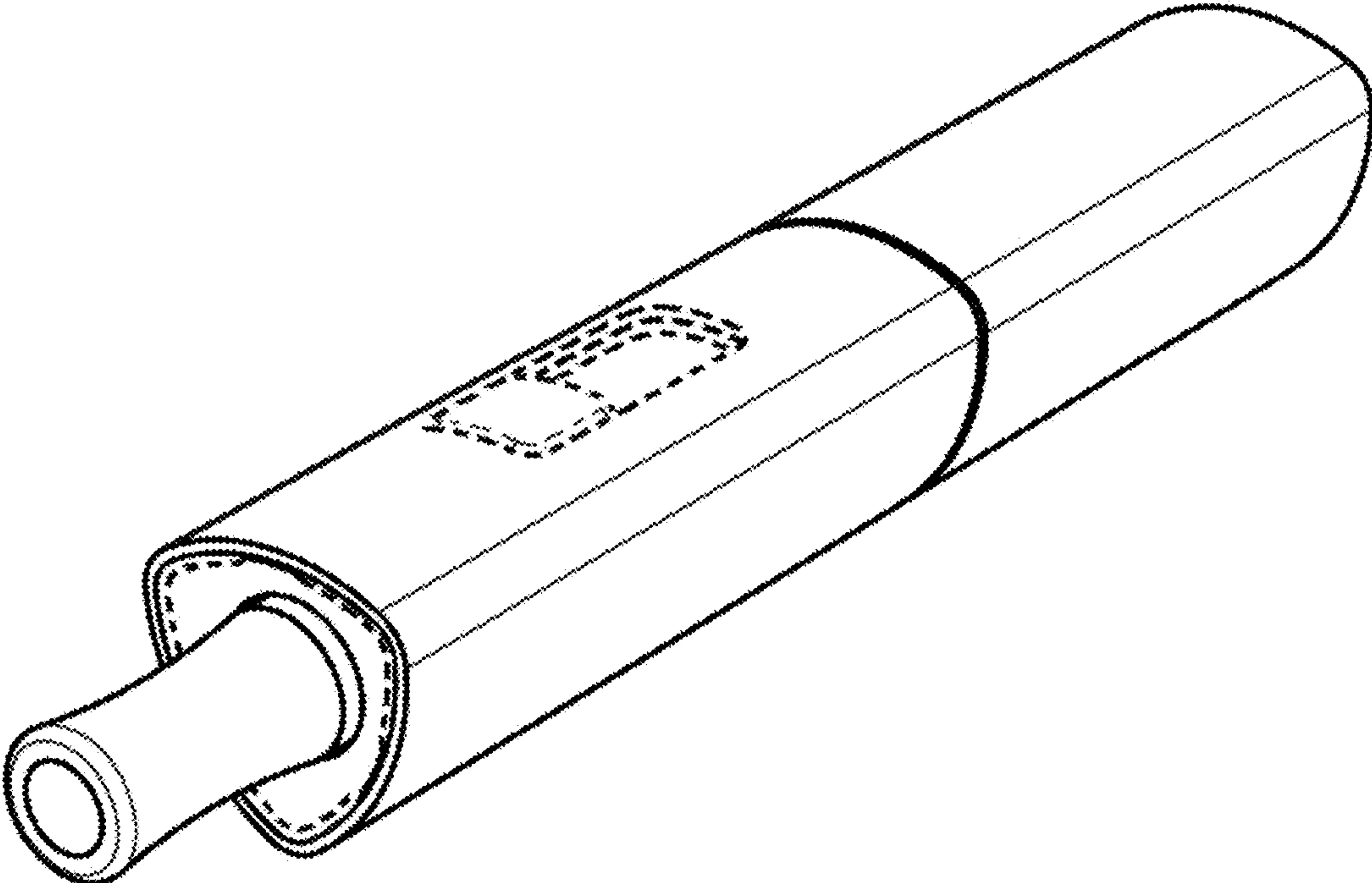


FIG. 17

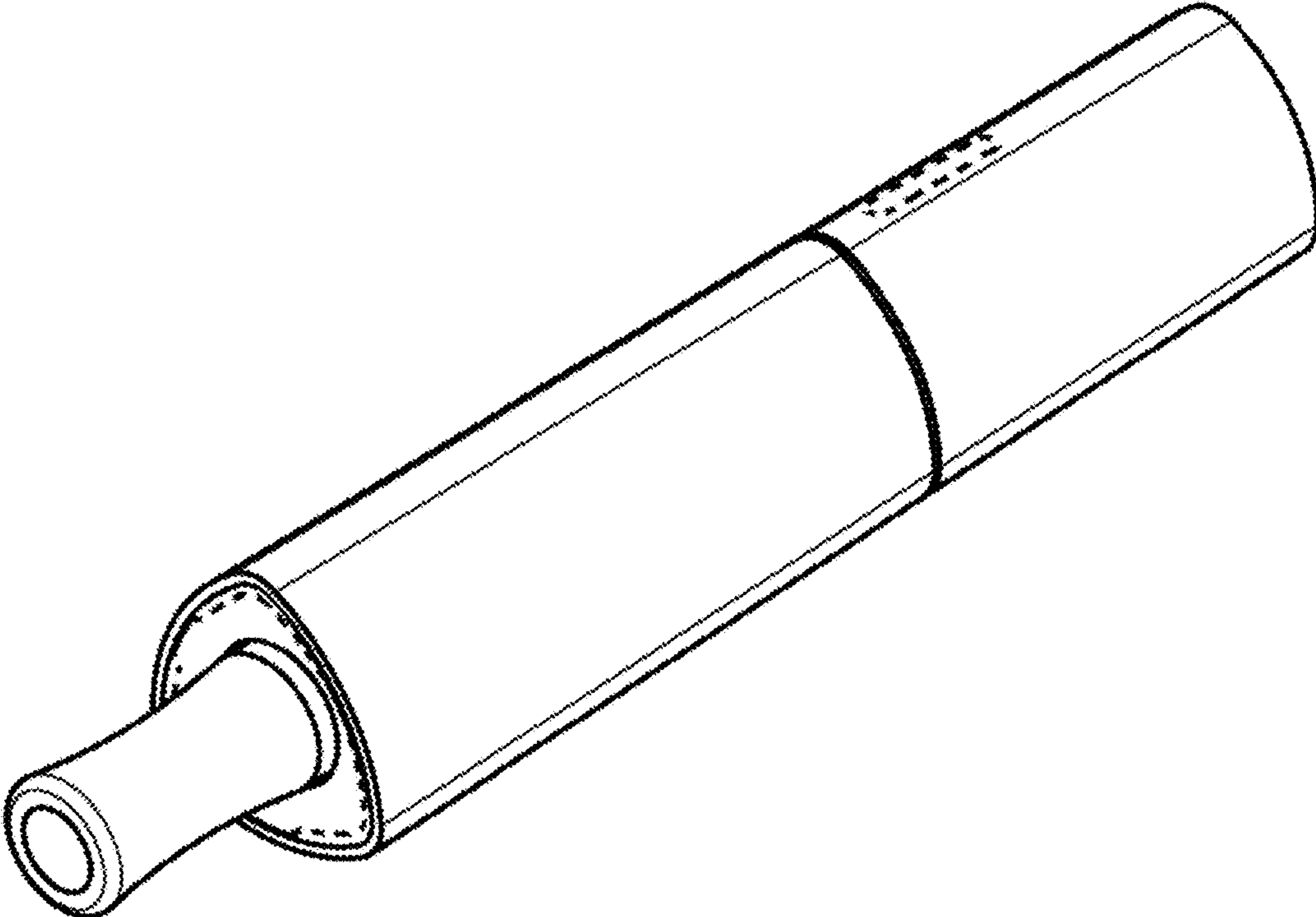


FIG. 18

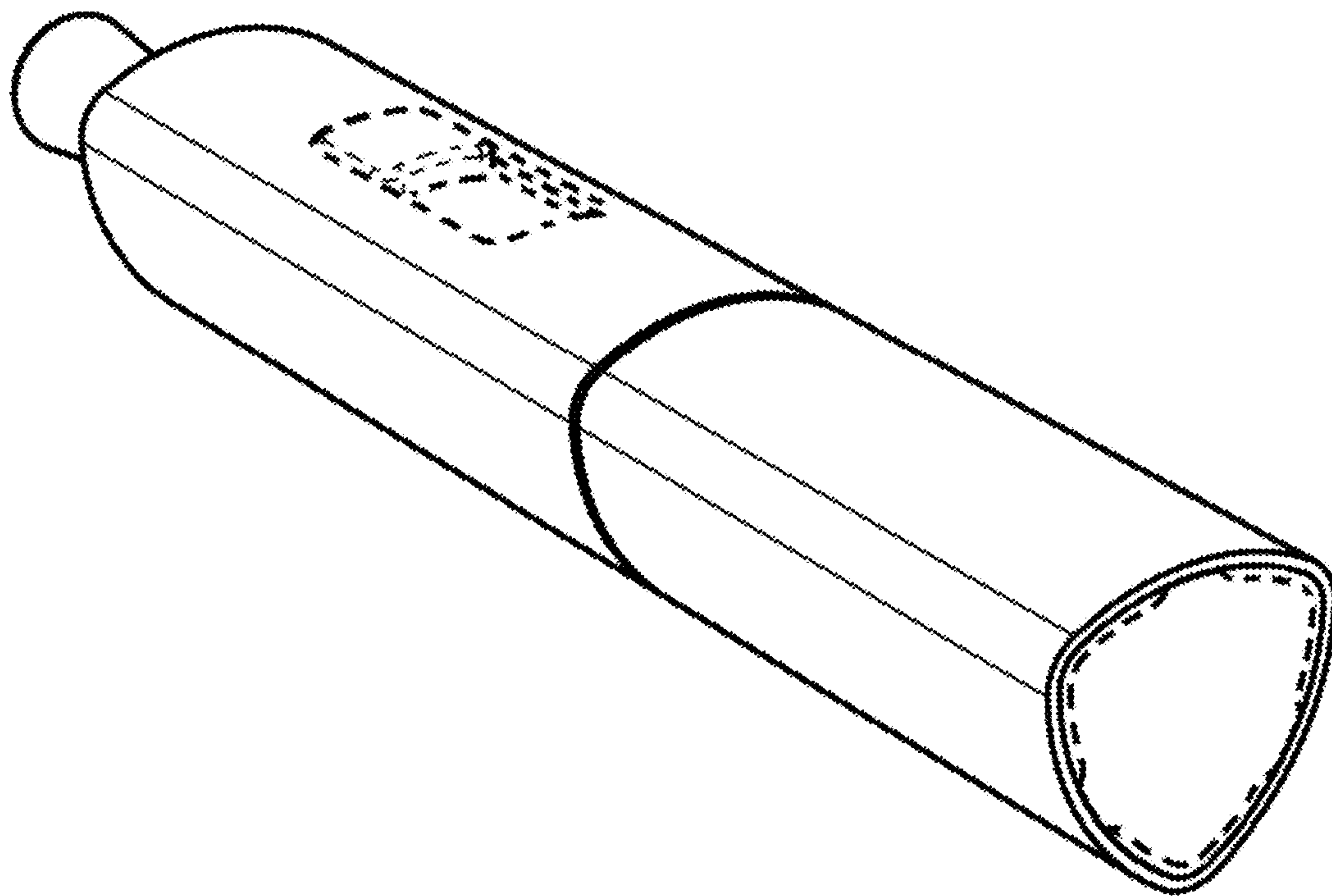


FIG. 19

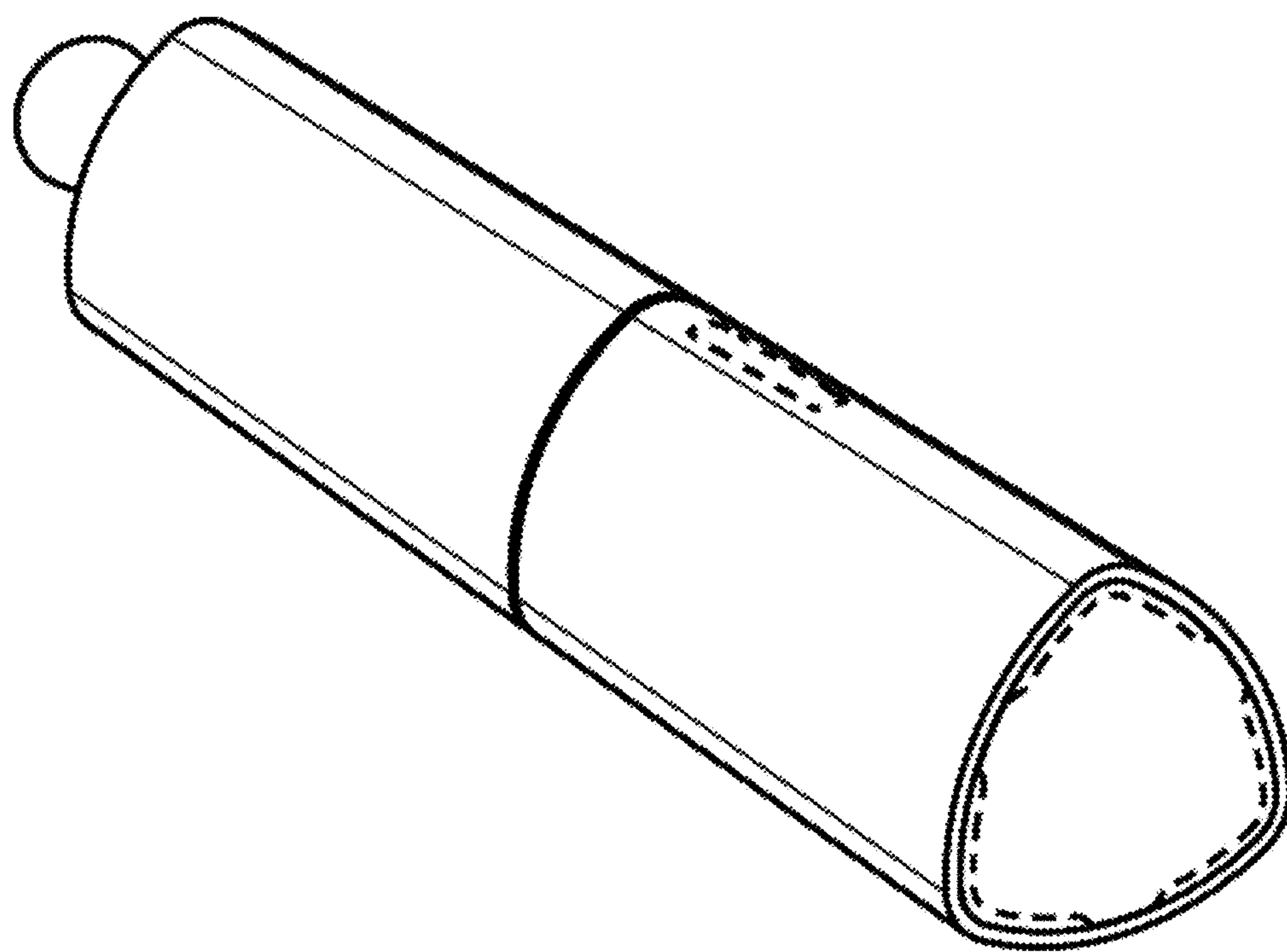


FIG. 20