



US00D834700S

(12) **United States Design Patent** (10) **Patent No.:** **US D834,700 S**  
**Hidalgo** (45) **Date of Patent:** **\*\* Nov. 27, 2018**

(54) **CEILING FAN BLADE IRON**  
(71) Applicant: **Minka Lighting, Inc.**, Corona, CA  
(US)  
(72) Inventor: **Rolando Hidalgo**, Yorba Linda, CA  
(US)  
(73) Assignee: **Minka Lighting, Inc.**, Corona, CA  
(US)

(\*\*) Term: **15 Years**  
(21) Appl. No.: **29/649,879**  
(22) Filed: **Jun. 1, 2018**

**Related U.S. Application Data**

(63) Continuation-in-part of application No. 29/590,111,  
filed on Jan. 6, 2017.  
(51) **LOC (11) Cl.** ..... **23-04**  
(52) **U.S. Cl.**  
USPC ..... **D23/411**  
(58) **Field of Classification Search**  
USPC ..... D23/370-379, 381-385, 411-414, 360,  
D23/314, 335, 332; D26/59  
CPC ..... F04D 5/00; F04D 27/00; F24H 3/04  
See application file for complete search history.

(56) **References Cited**

**U.S. PATENT DOCUMENTS**

D522,647 S \* 6/2006 Pickett ..... D23/411  
D581,515 S \* 11/2008 Pickett ..... D23/411

D613,847 S \* 4/2010 Shurtleff ..... D23/411  
D627,872 S \* 11/2010 Pan ..... D23/411  
D704,820 S \* 5/2014 Wang ..... D23/411  
D705,922 S \* 5/2014 Wang ..... D23/411  
D710,988 S \* 8/2014 Pan ..... D23/411  
D787,038 S \* 5/2017 Badarello ..... D23/411  
D812,217 S \* 3/2018 Hidalgo ..... D23/411  
D818,574 S \* 5/2018 Hidalgo ..... D23/411  
2009/0246028 A1 \* 10/2009 Richardson ..... F04D 25/088  
416/210 R

\* cited by examiner

*Primary Examiner* — Janice Hallmark  
(74) *Attorney, Agent, or Firm* — Baker & McKenzie LLP

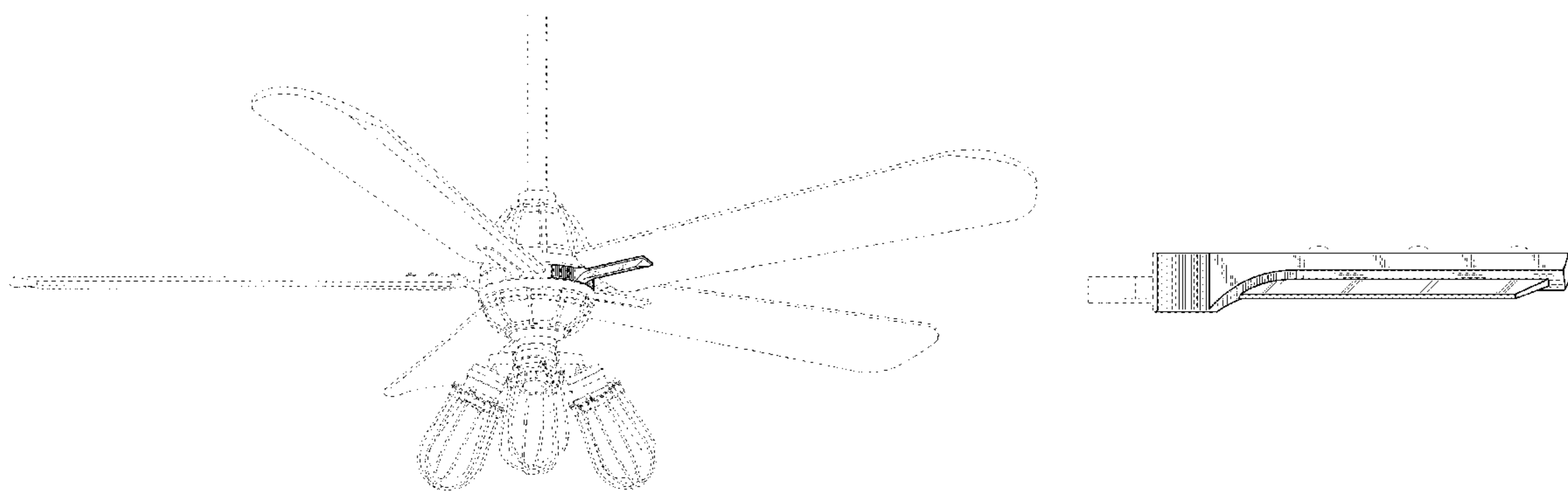
(57) **CLAIM**

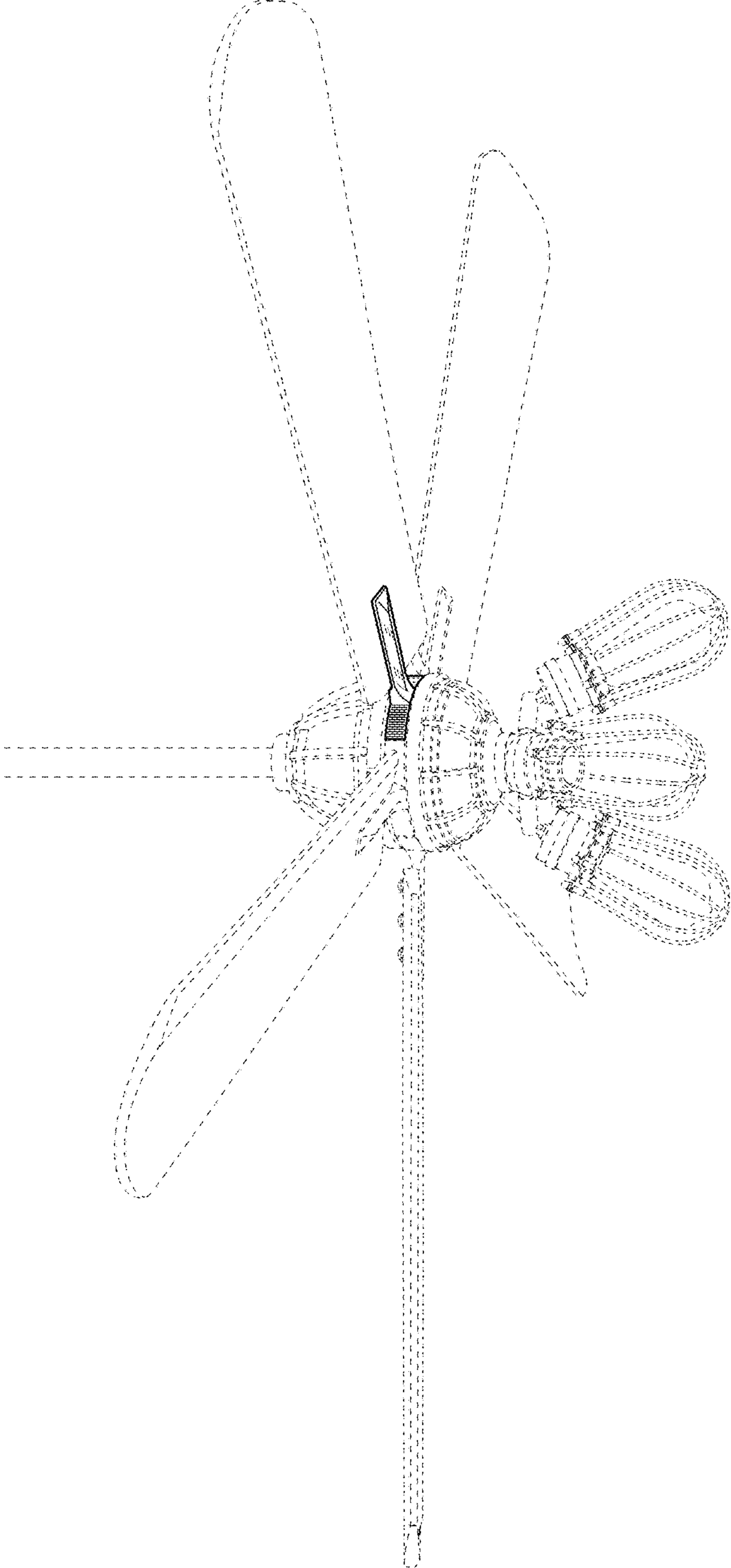
The ornamental design for a ceiling fan blade iron, as shown and described.

**DESCRIPTION**

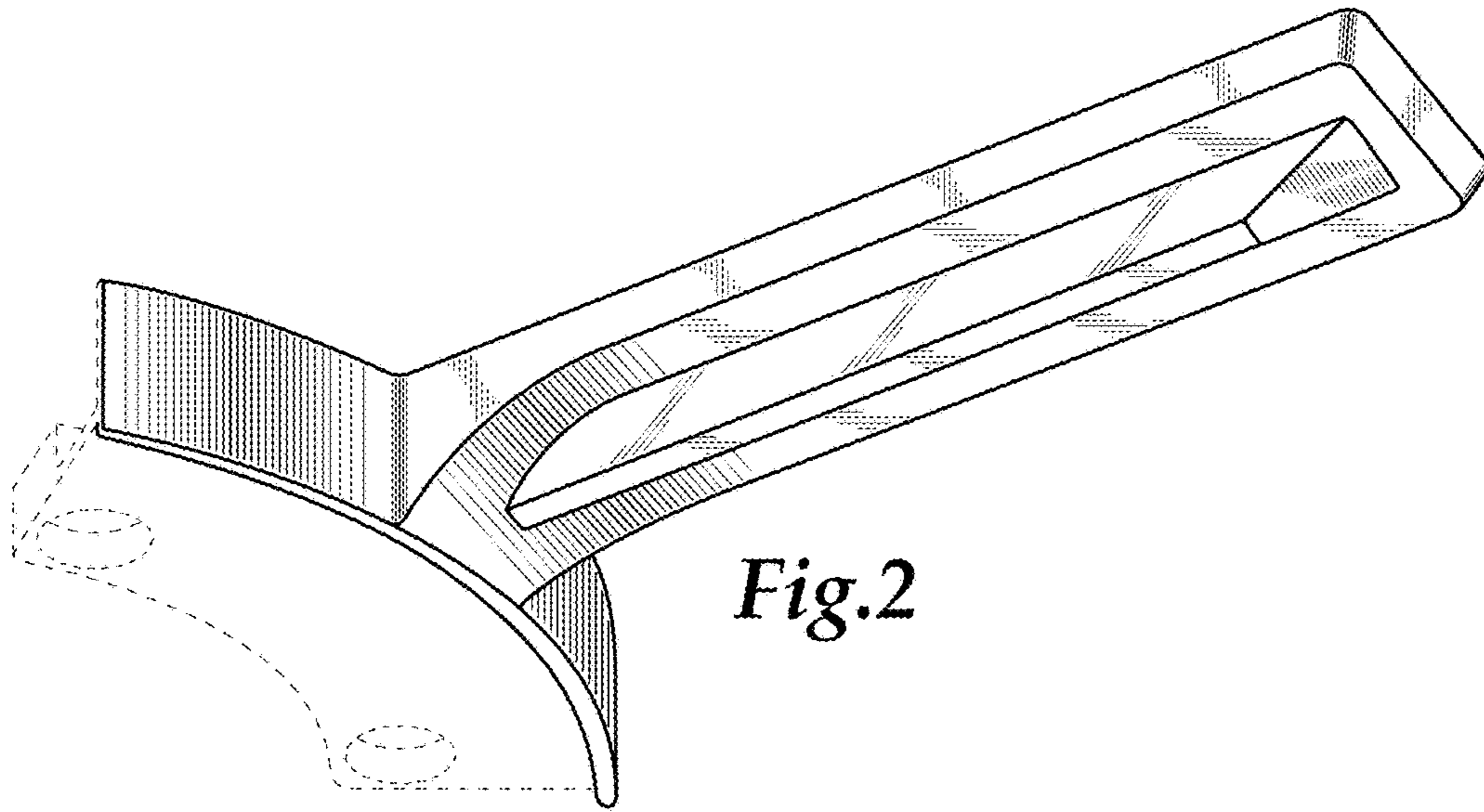
FIG. 1 is a perspective view of a ceiling fan blade iron in accordance with my design;  
FIG. 2 is an enlarged perspective view thereof;  
FIG. 3 is a top plan view thereof;  
FIG. 4 is a bottom plan view thereof;  
FIG. 5 is a left elevation view thereof;  
FIG. 6 is a right elevation view thereof;  
FIG. 7 is a front elevation view thereof; and,  
FIG. 8 is a rear elevation view thereof.  
In FIG. 1, the broken lines showing a ceiling fan depict environmental subject matter. In FIGS. 2-8, the broken lines depict portions of the ceiling fan blade iron. All broken lines form no part of the claimed design.

**1 Claim, 3 Drawing Sheets**

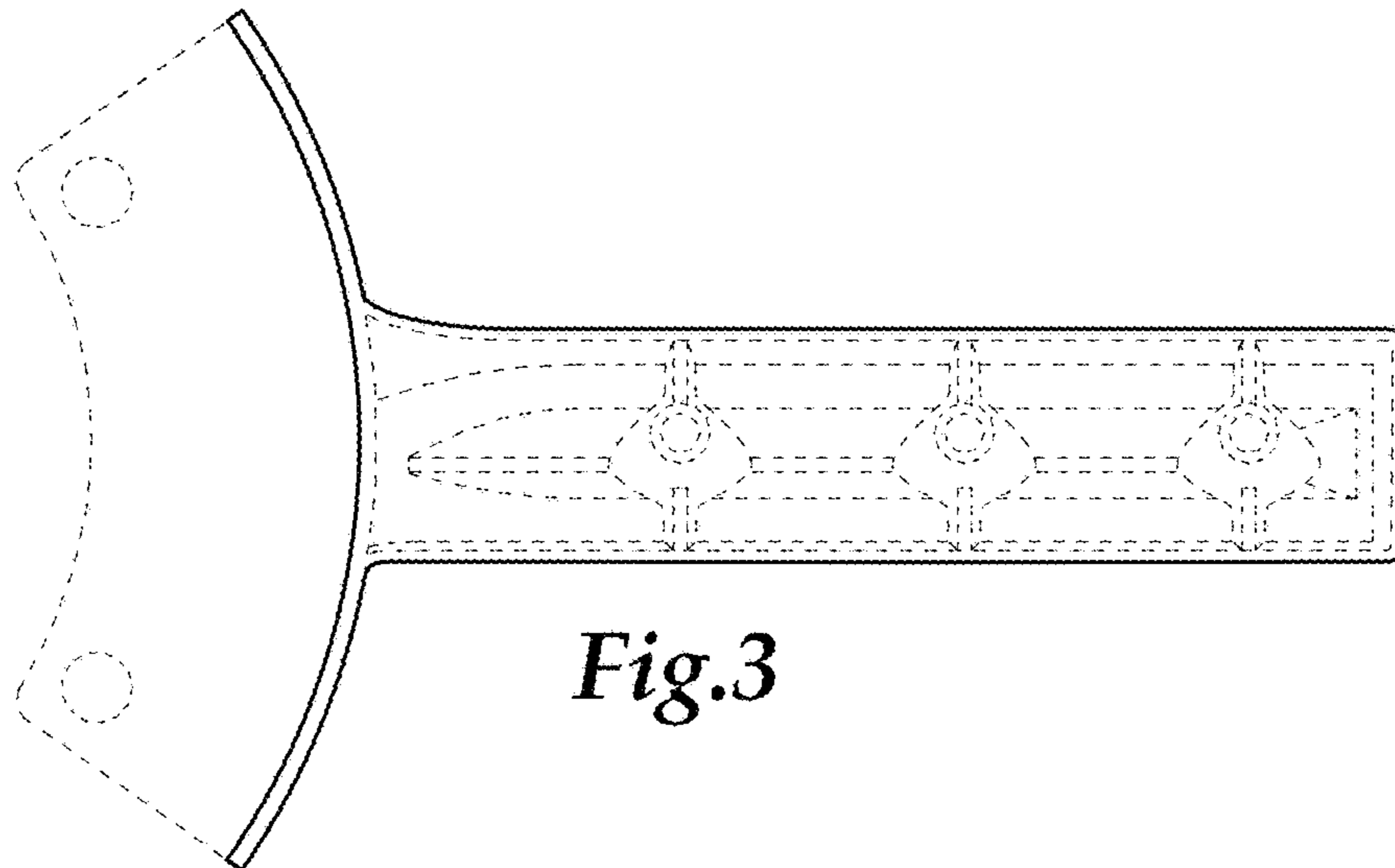




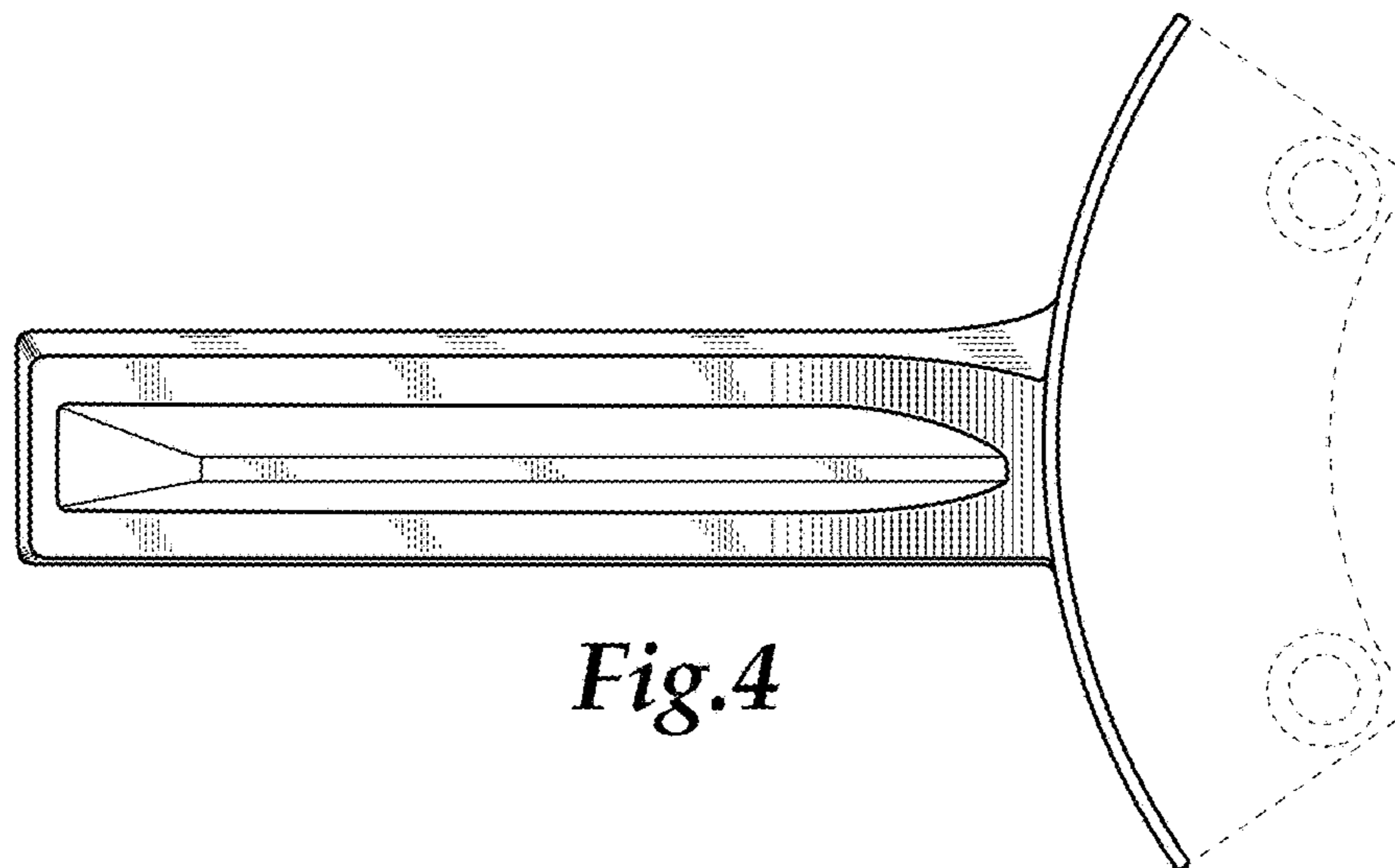
*Fig.1*



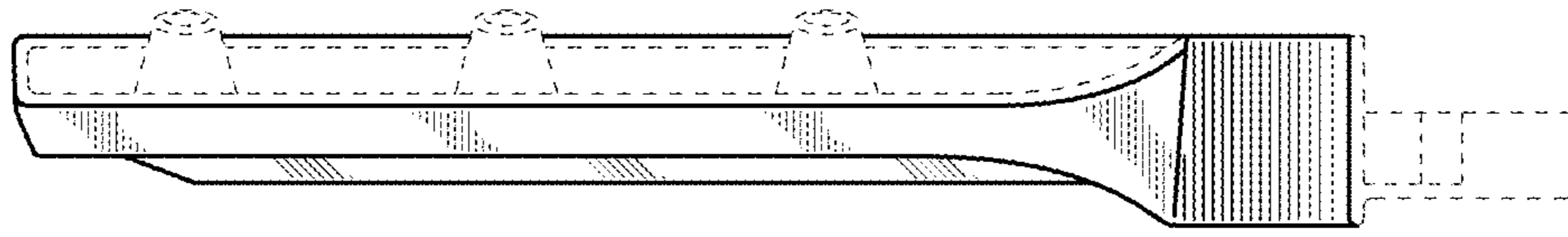
*Fig. 2*



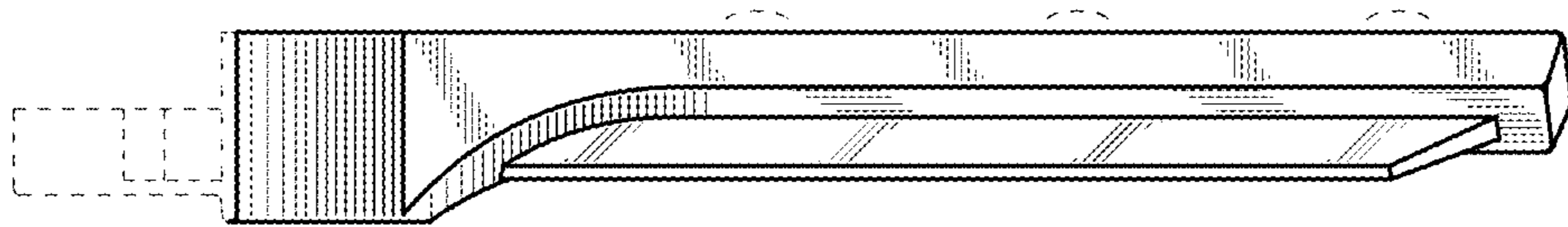
*Fig. 3*



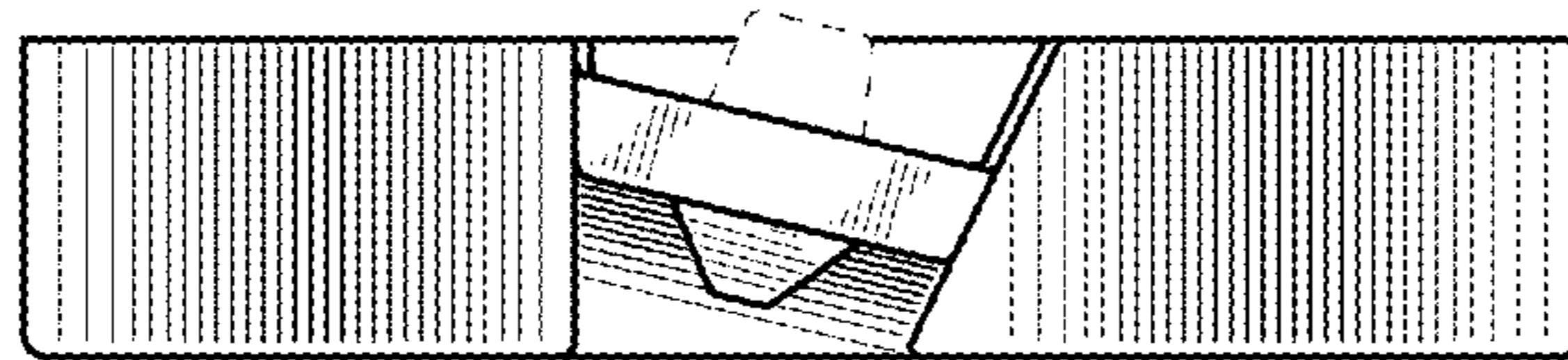
*Fig. 4*



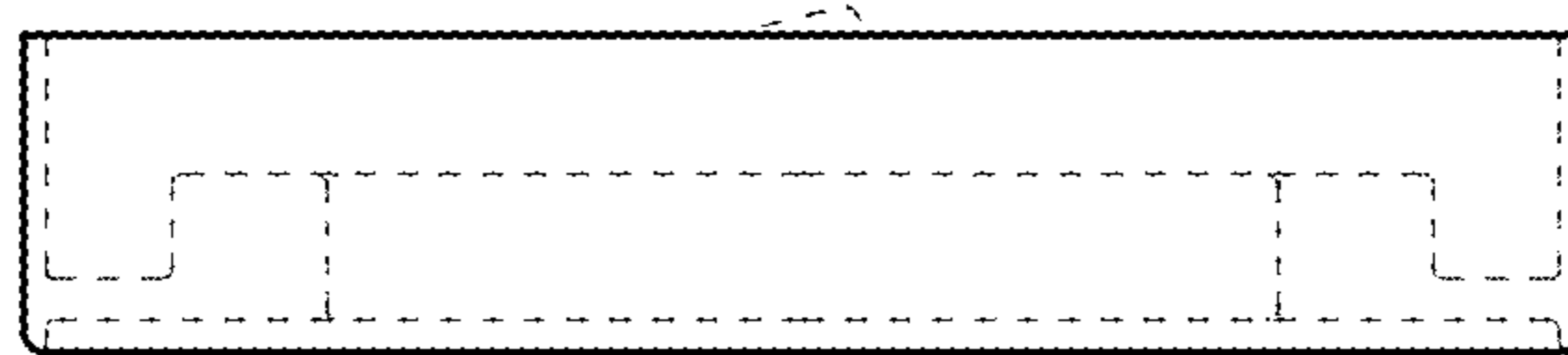
*Fig.5*



*Fig.6*



*Fig.7*



*Fig.8*